



US00D464684S

(12) **United States Design Patent** (10) **Patent No.:** **US D464,684 S**
Arai et al. (45) **Date of Patent:** **** Oct. 22, 2002**

(54) **RADIO REMOTE CONTROL UNIT**

(75) Inventors: **Masahiro Arai, Mobara (JP);
Toshiyuki Akiba, Mobara (JP)**

(73) Assignee: **Futaba Corporation, Mobara (JP)**

(**) Term: **14 Years**

(21) Appl. No.: **29/150,147**

(22) Filed: **Nov. 9, 2001**

(51) **LOC (7) Cl.** **21-01**

(52) **U.S. Cl.** **D21/566**

(58) **Field of Search** D21/566, 324,
D21/325, 329, 333; D22/104; D14/217,
218, 418, 428; 446/192, 405, 473, 456,
454; 273/148 B; D13/168

(56) **References Cited**

U.S. PATENT DOCUMENTS

D283,718 S	*	5/1986	Kondo	D21/566
D313,439 S	*	1/1991	Kohno	D21/566
D323,361 S	*	1/1992	Kohno	D21/566
5,158,495 A	*	10/1992	Yonezawa	446/456
D390,613 S	*	2/1998	Kanetsuna et al.	D21/566
D411,265 S		6/1999	Kanetsuna et al.		

* cited by examiner

Primary Examiner—Raphael Barkai

(74) *Attorney, Agent, or Firm*—Oblon, Spivak, McClelland,
Maier & Neustadt, P.C.

(57) **CLAIM**

The ornamental design for a radio remote control unit, as shown and described.

DESCRIPTION

FIG. 1 is a front elevational view a radio remote control unit showing our new design;

FIG. 2 is a rear elevational view thereof;

FIG. 3 is a right side elevational view thereof;

FIG. 4 is a left side elevational view thereof;

FIG. 5 is a top plan view thereof;

FIG. 6 is a bottom plan view thereof;

FIG. 7 is a front side perspective view thereof;

FIG. 8 is a rear perspective view thereof;

FIG. 9 is a perspective view thereof in which the antenna thereof is extended;

FIG. 10 is a front elevational view thereof in which the front cover thereof is open; and,

FIG. 11 is a front side perspective view thereof in which the cover is open.

1 Claim, 6 Drawing Sheets





FIG. 1



FIG. 2

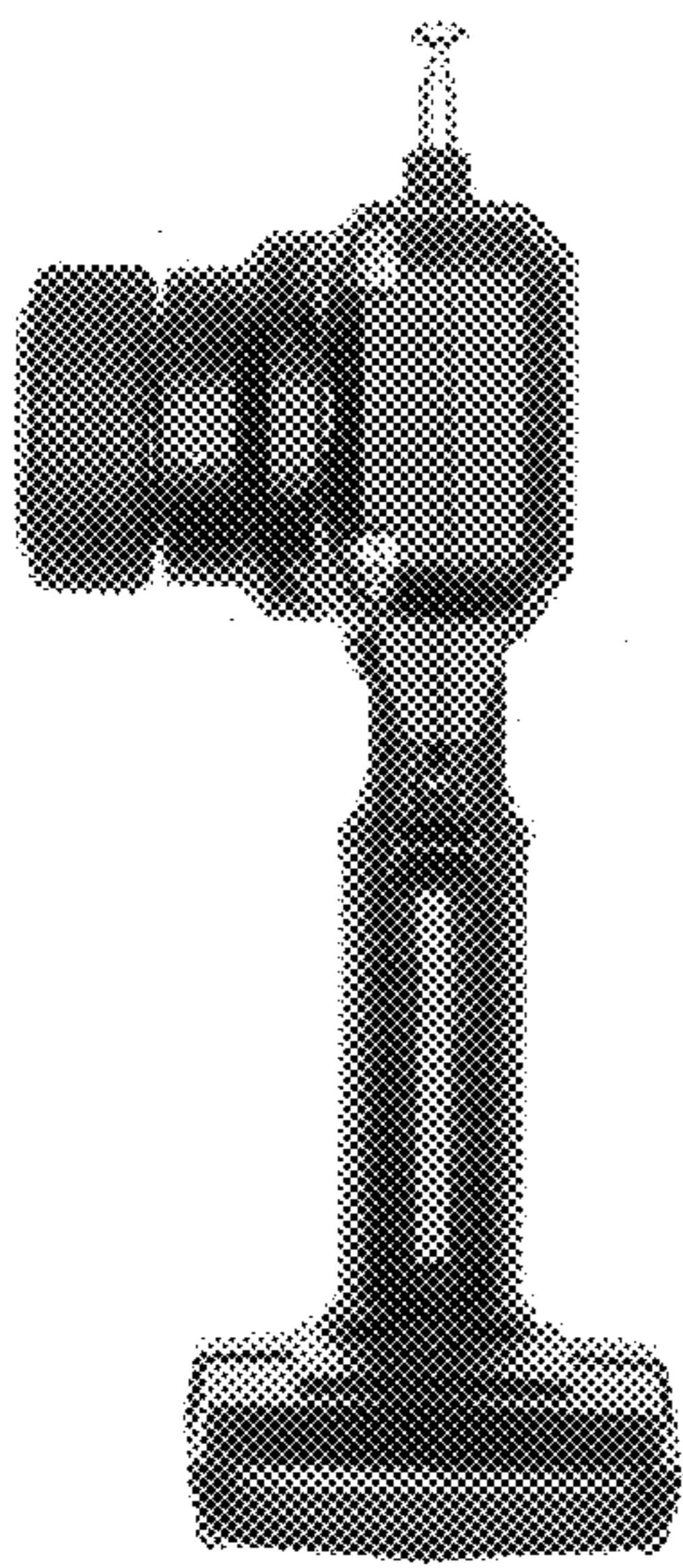


FIG. 3

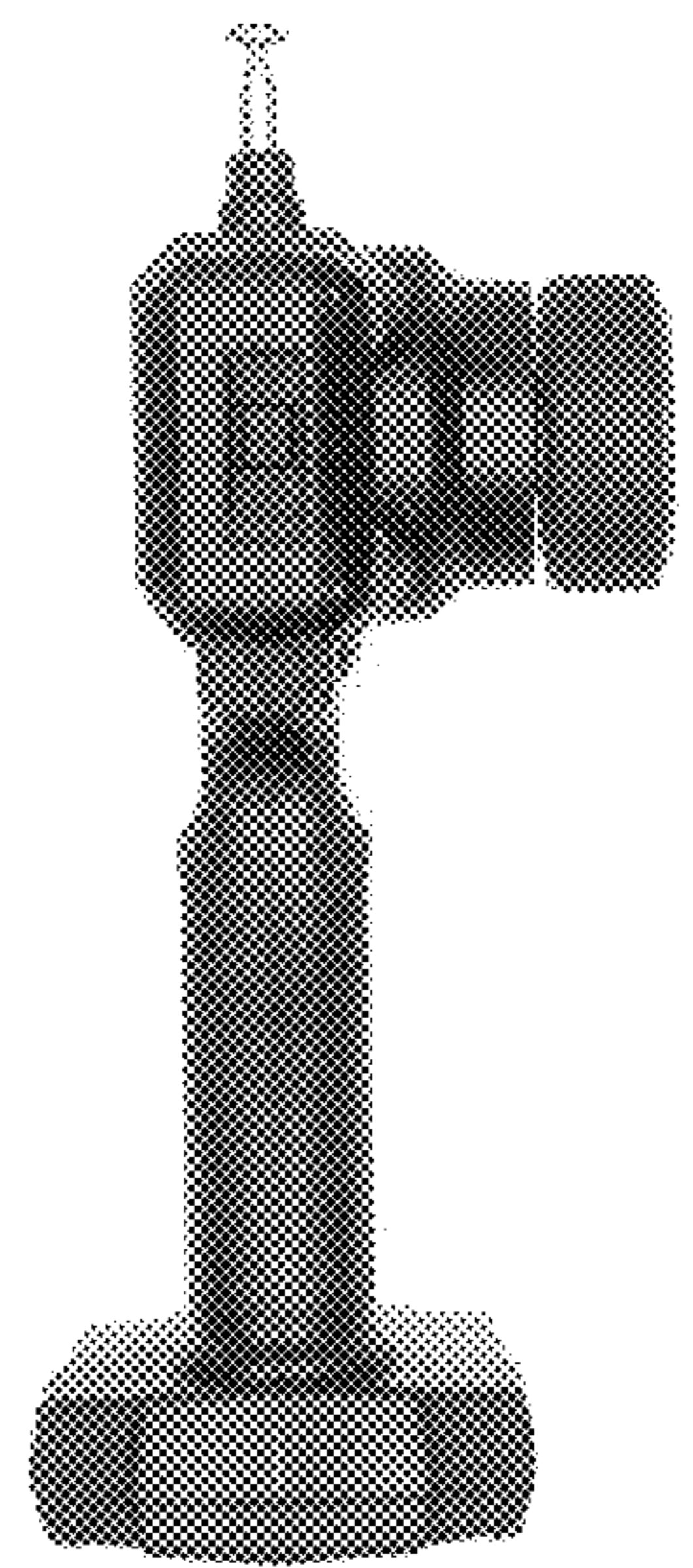


FIG. 4

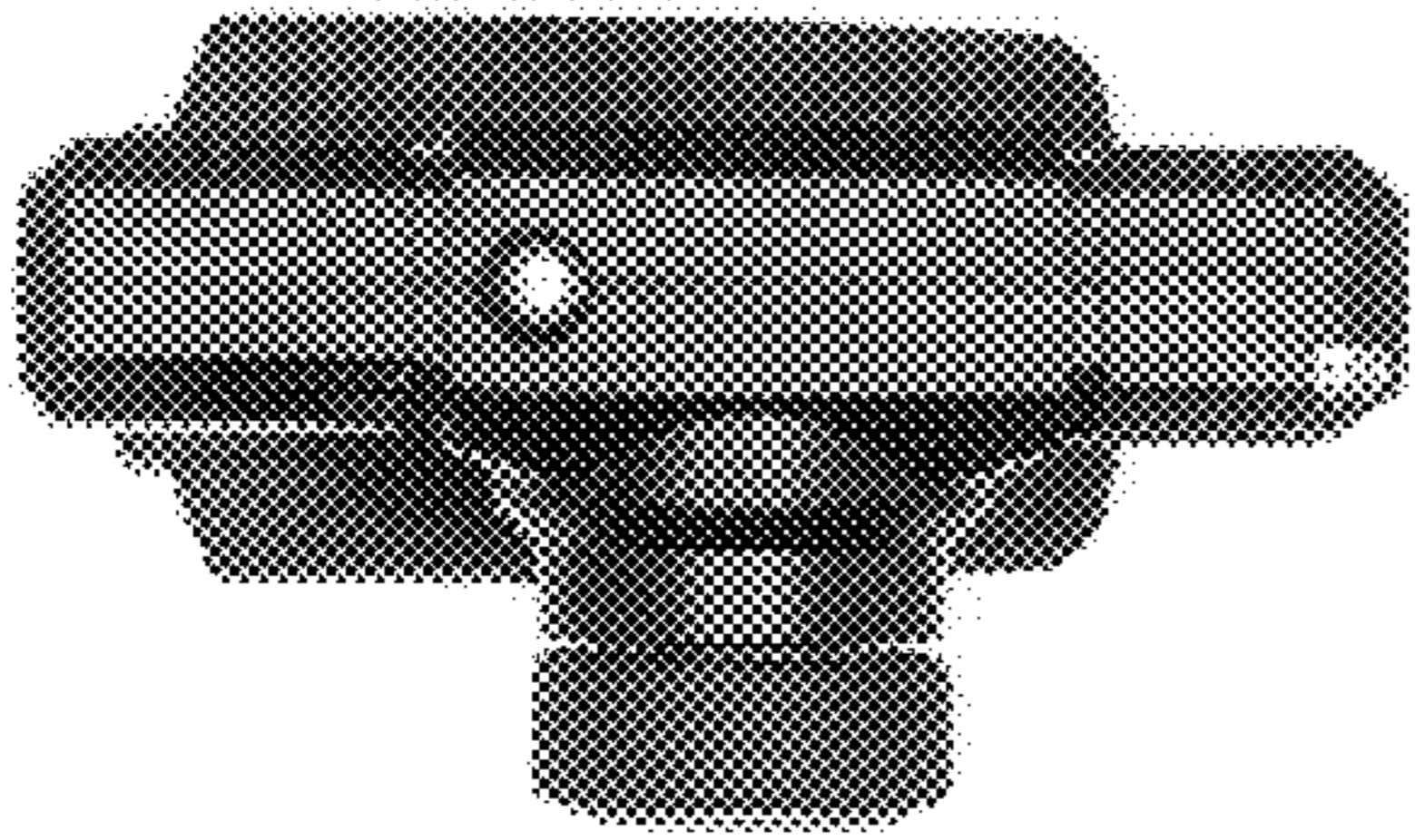


FIG. 5

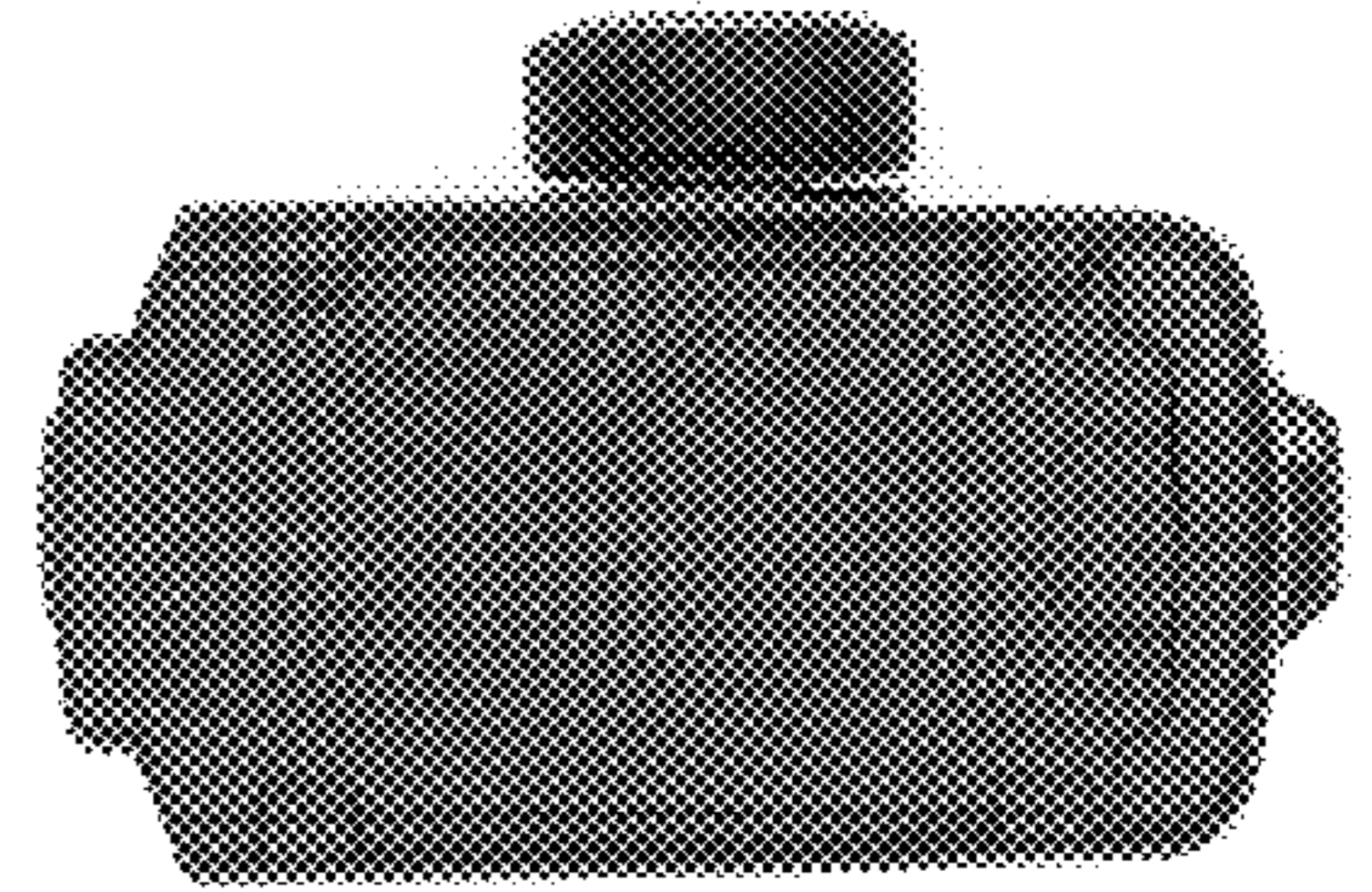


FIG. 6



FIG. 7

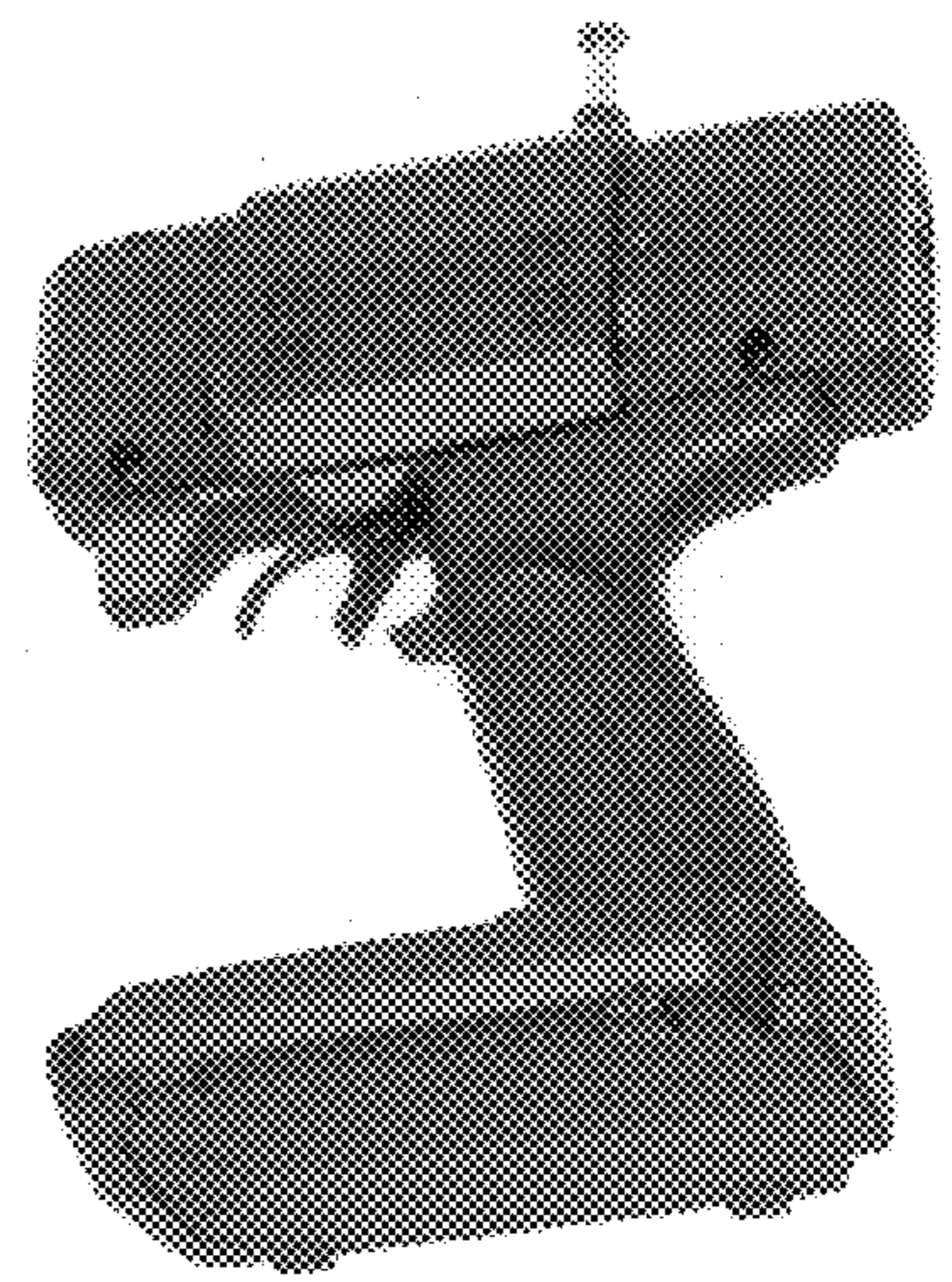


FIG. 8

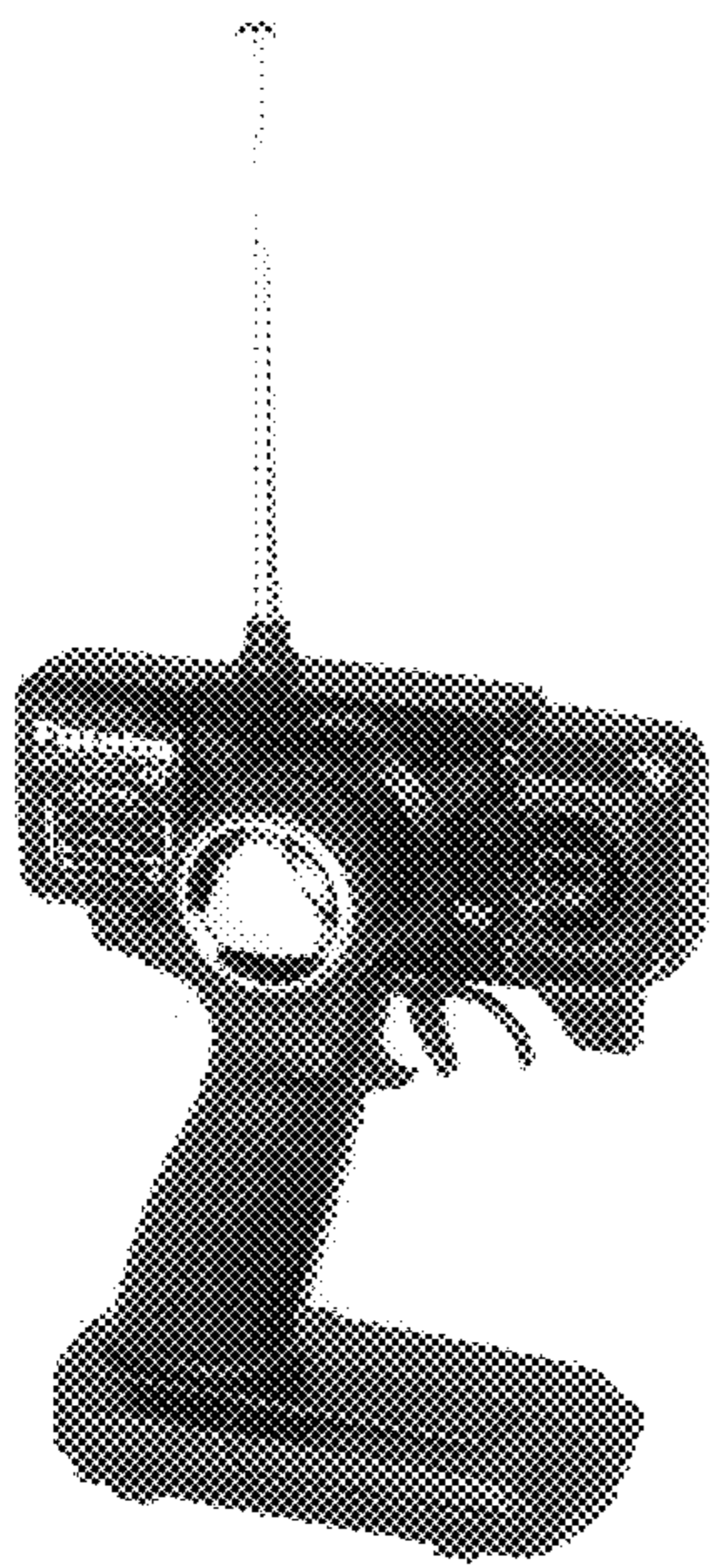


FIG. 9



FIG. 10



FIG. 11