



US00D464682S

(12) **United States Design Patent**  
**Lin**

(10) **Patent No.:** **US D464,682 S**

(45) **Date of Patent:** **\*\* Oct. 22, 2002**

(54) **BUILDING BLOCK**

(76) Inventor: **Fu-Chi Lin**, 1F., No. 467, Hsintung Rd., Sanhsia Township, Taipei Hsien (TW)

(\*\*) Term: **14 Years**

(21) Appl. No.: **29/146,142**

(22) Filed: **Aug. 2, 2001**

(51) **LOC (7) Cl.** ..... **21-01**

(52) **U.S. Cl.** ..... **D21/499**

(58) **Field of Search** ..... D21/484-505;  
446/85, 102-105, 106, 108-116, 117, 120-122,  
124, 125, 128, 127; 52/604, 598

(56) **References Cited**

**U.S. PATENT DOCUMENTS**

1,895,611	A	*	1/1933	Doak	
3,554,384	A	*	1/1971	Denatale	
D224,425	S	*	7/1972	Stahel, II	
D283,635	S	*	4/1986	Kato	
4,698,023	A	*	10/1987	Marino	
5,000,713	A	*	3/1991	Cheng	446/120
5,035,666	A	*	7/1991	Kang	446/118
D437,366	S	*	2/2001	Stemmler	D21/499

\* cited by examiner

*Primary Examiner*—Raphael Barkai

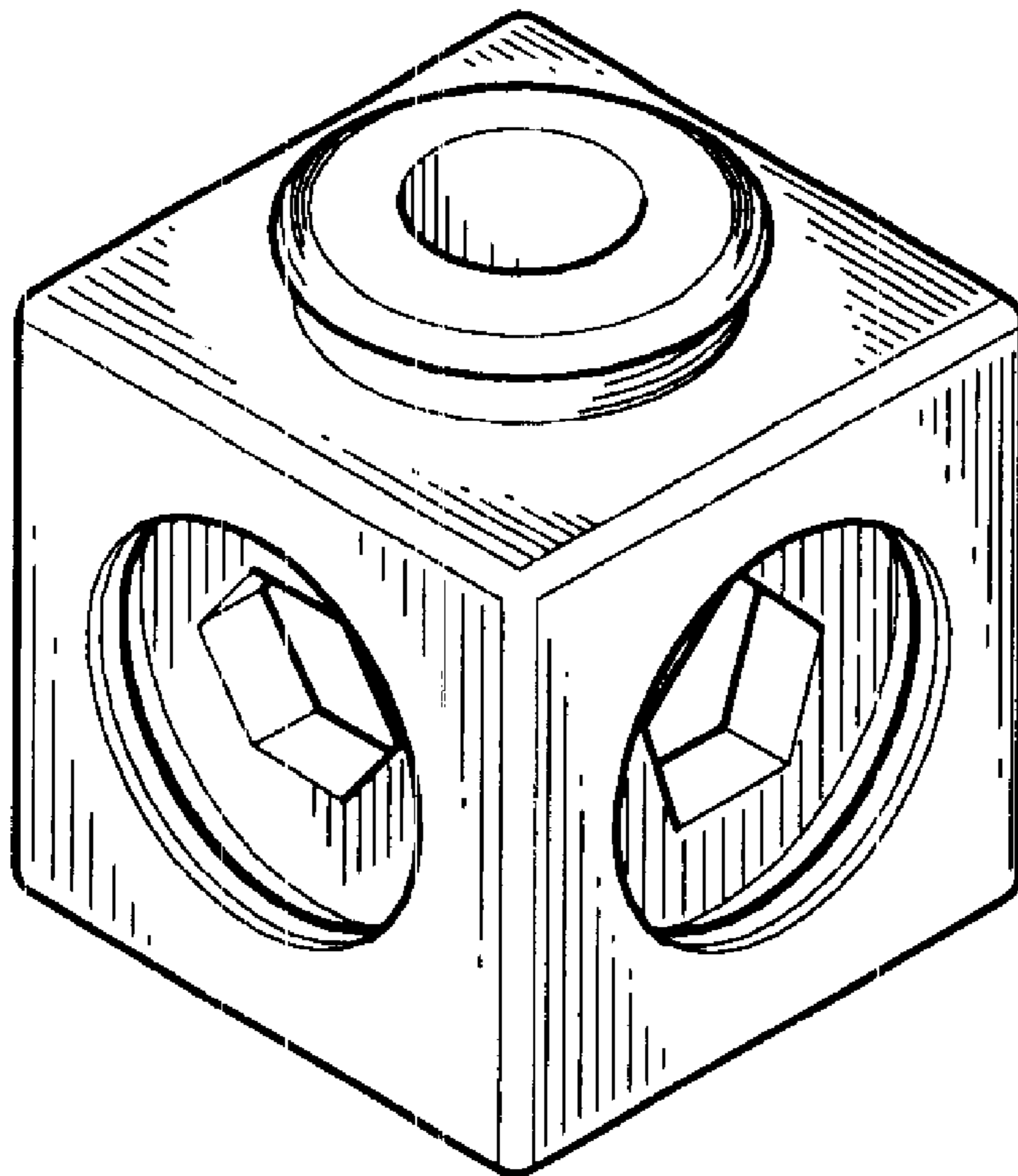
(57) **CLAIM**

A building block, as shown and described.

**DESCRIPTION**

FIG. 1 is a front elevational view of a building block showing my design;  
 FIG. 2 is a left side view thereof;  
 FIG. 3 is a right side view thereof;  
 FIG. 4 is a bottom plane view thereof;  
 FIG. 5 is a top plane view thereof;  
 FIG. 6 is a rear elevational view thereof;  
 FIG. 7 is a perspective view thereof;  
 FIG. 8 is another perspective view thereof;  
 FIG. 9 is a front elevational view of a modified embodiment of the design shown in FIGS. 1-8, showing four-piece block formed from four serially connected building blocks showing my design, wherein each side of the four-piece block has the same pattern;  
 FIG. 10 is a left side view of the four-piece block of FIG. 9;  
 FIG. 11 is a rear elevation of the four-piece block of FIG. 9;  
 FIG. 12 is a right side view of the four-piece block of FIG. 9; and,  
 FIG. 13 is an elevational view of a second modified embodiment of the design shown in FIGS. 1-8, showing four-piece block formed from four serially connected building blocks showing my design, wherein each side of the four-piece block has four different patterns.

**1 Claim, 9 Drawing Sheets**



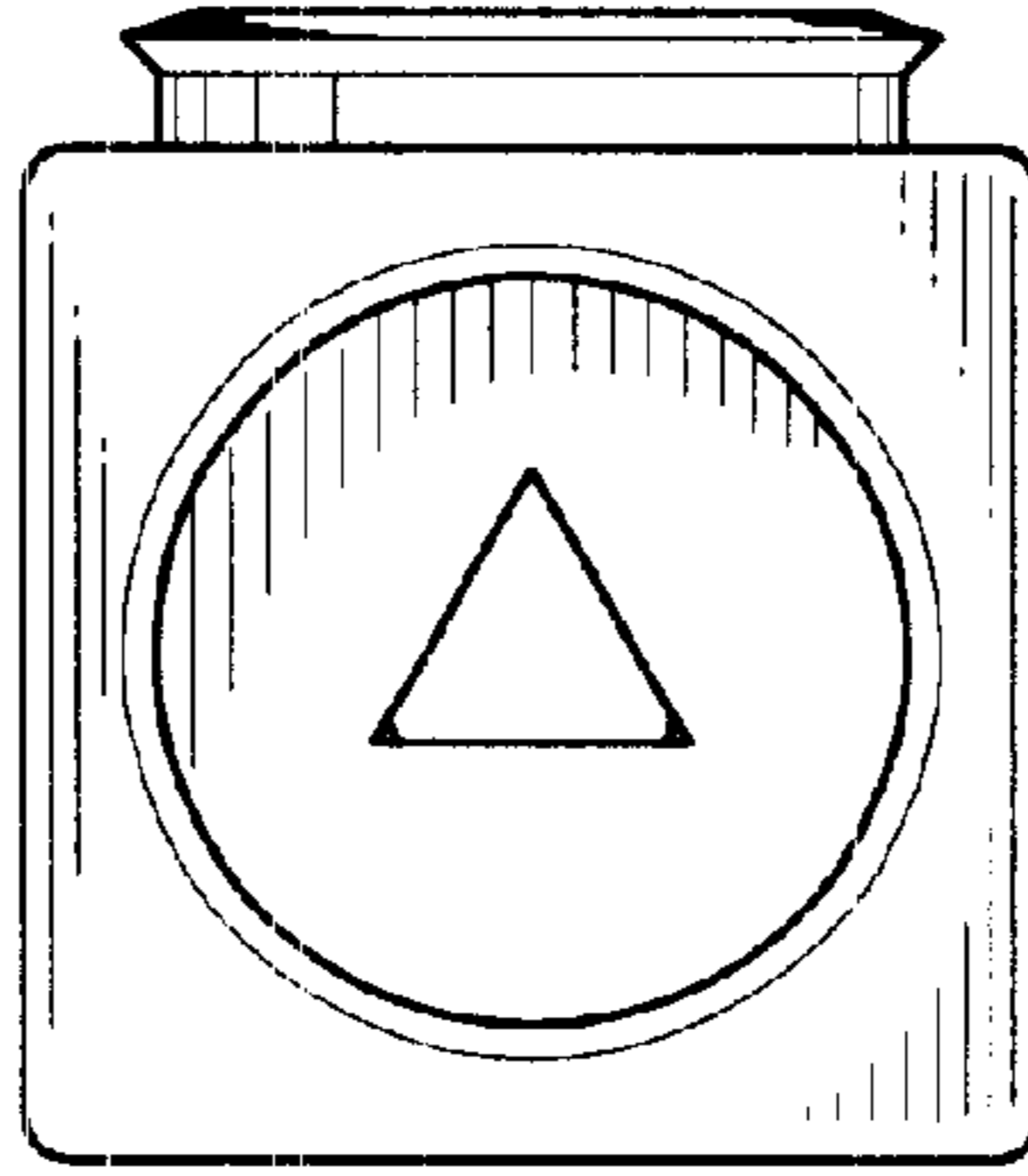


Fig. 1

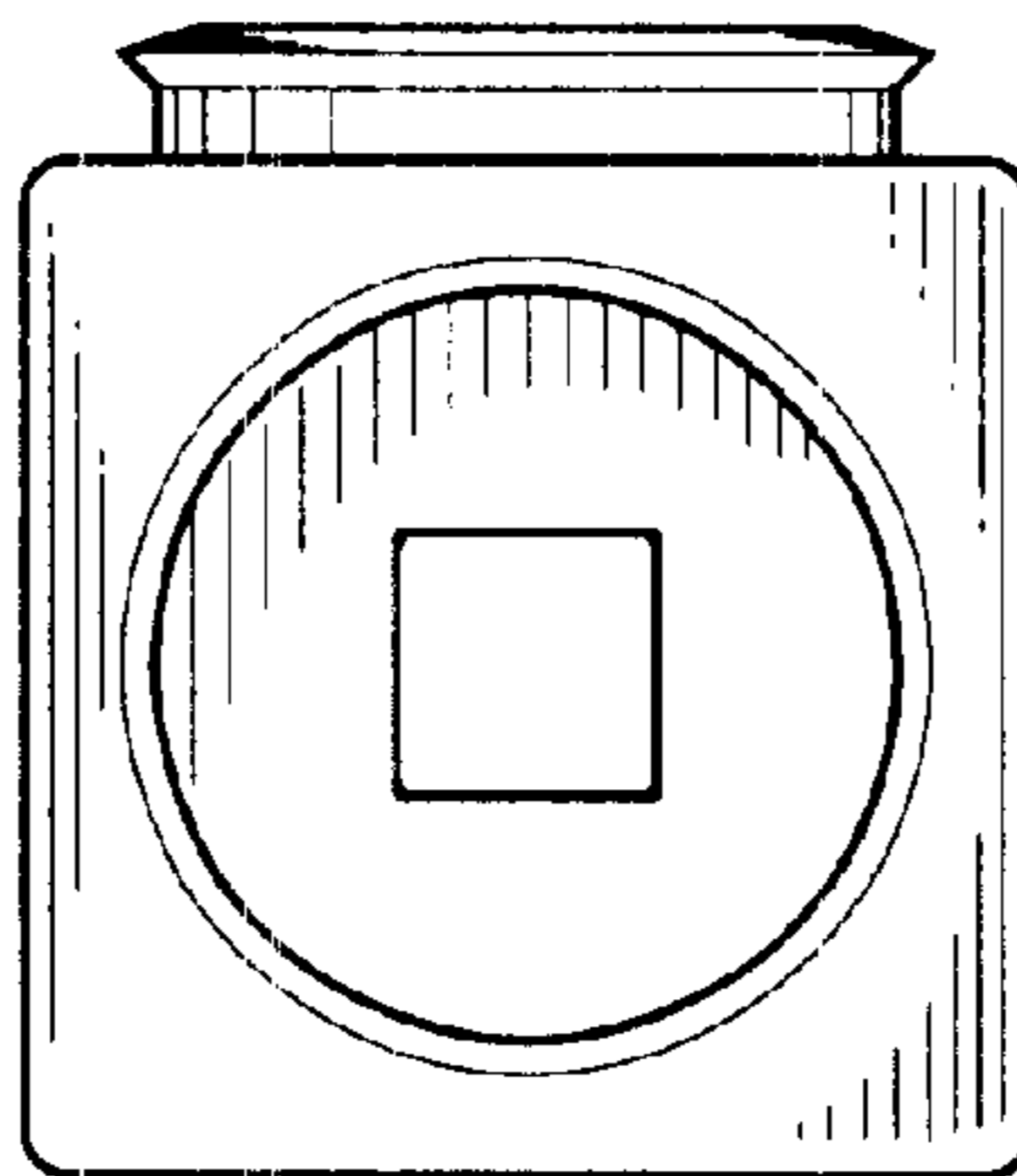


Fig. 2

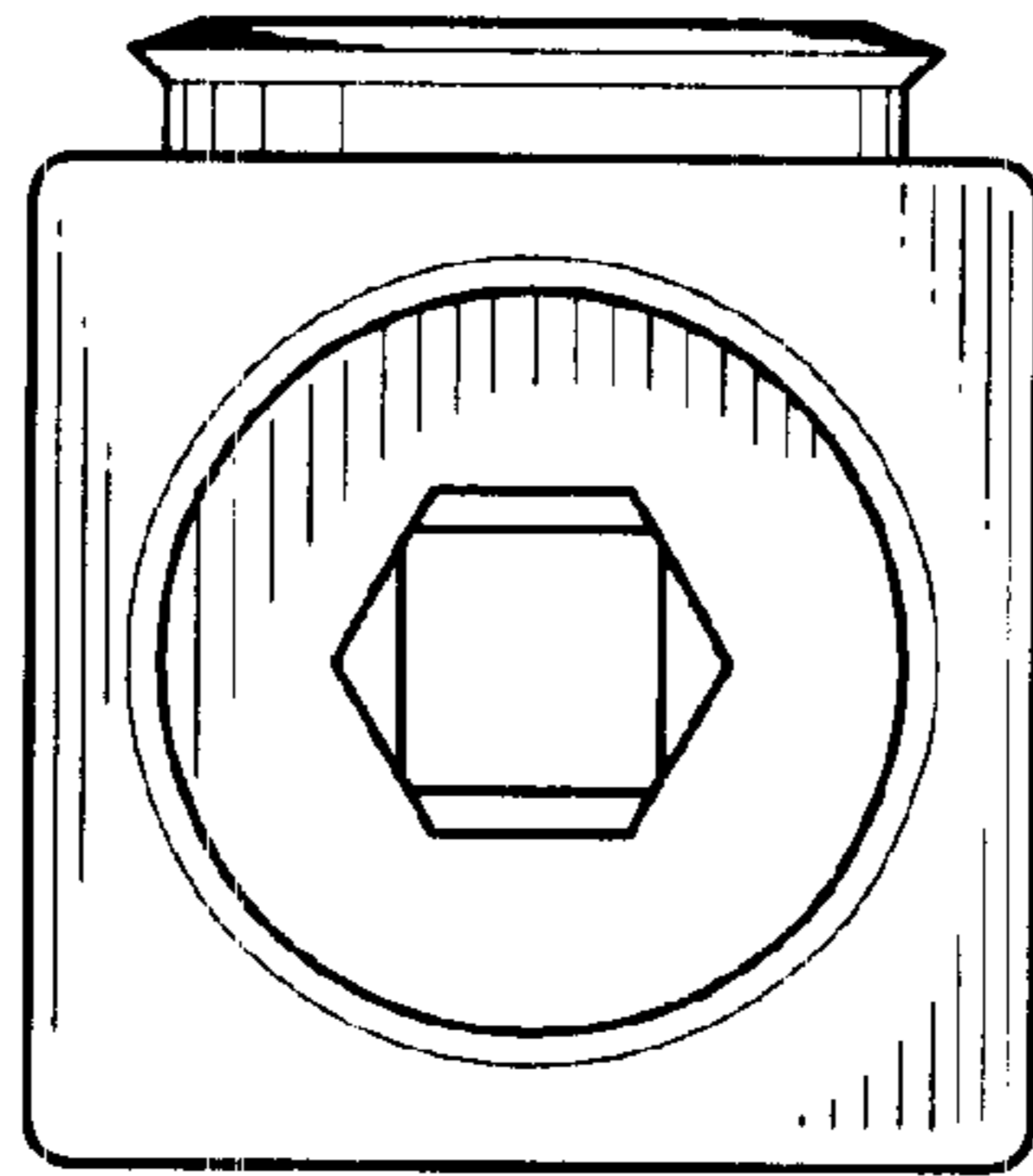


Fig. 3

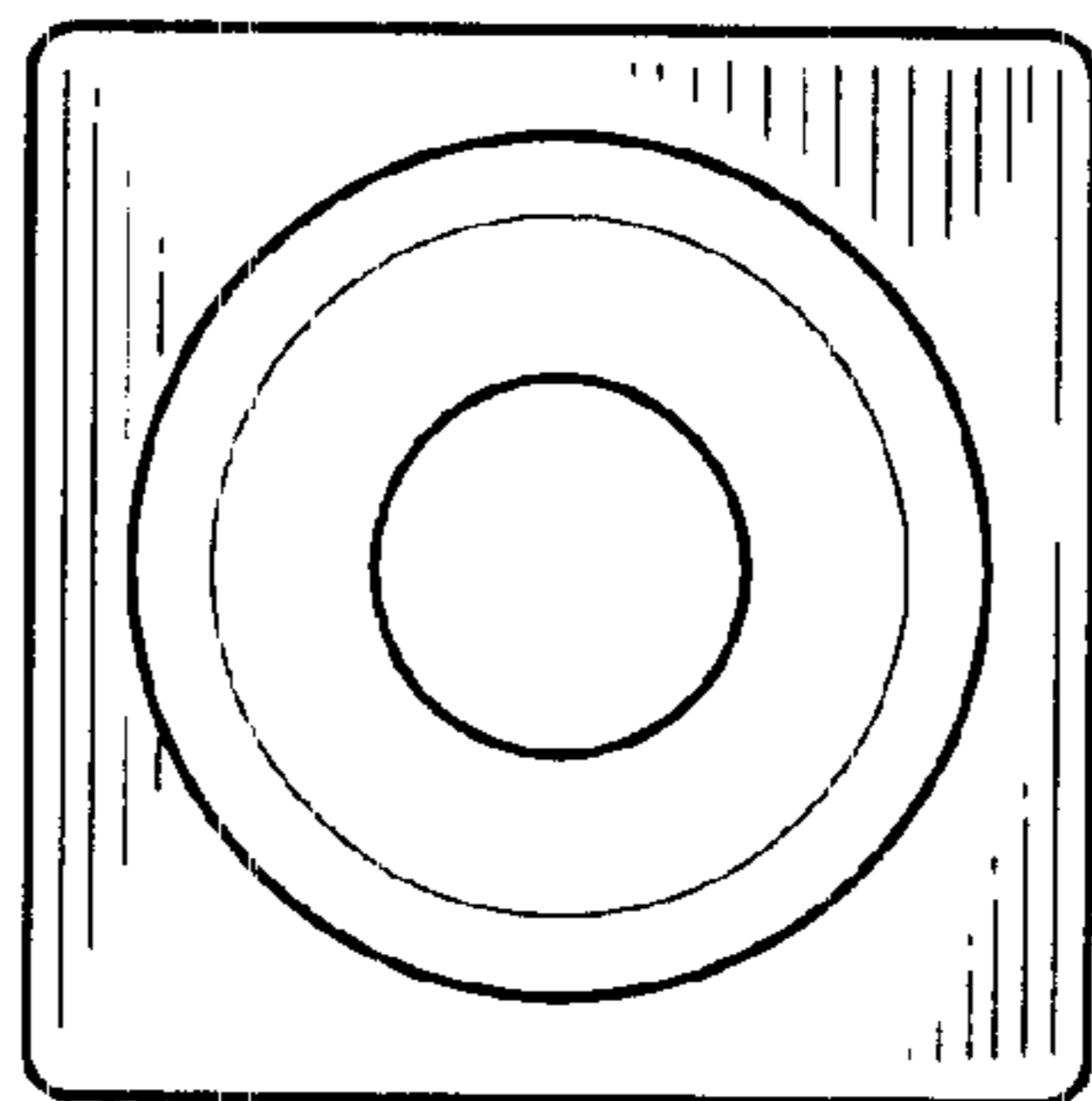


Fig. 4

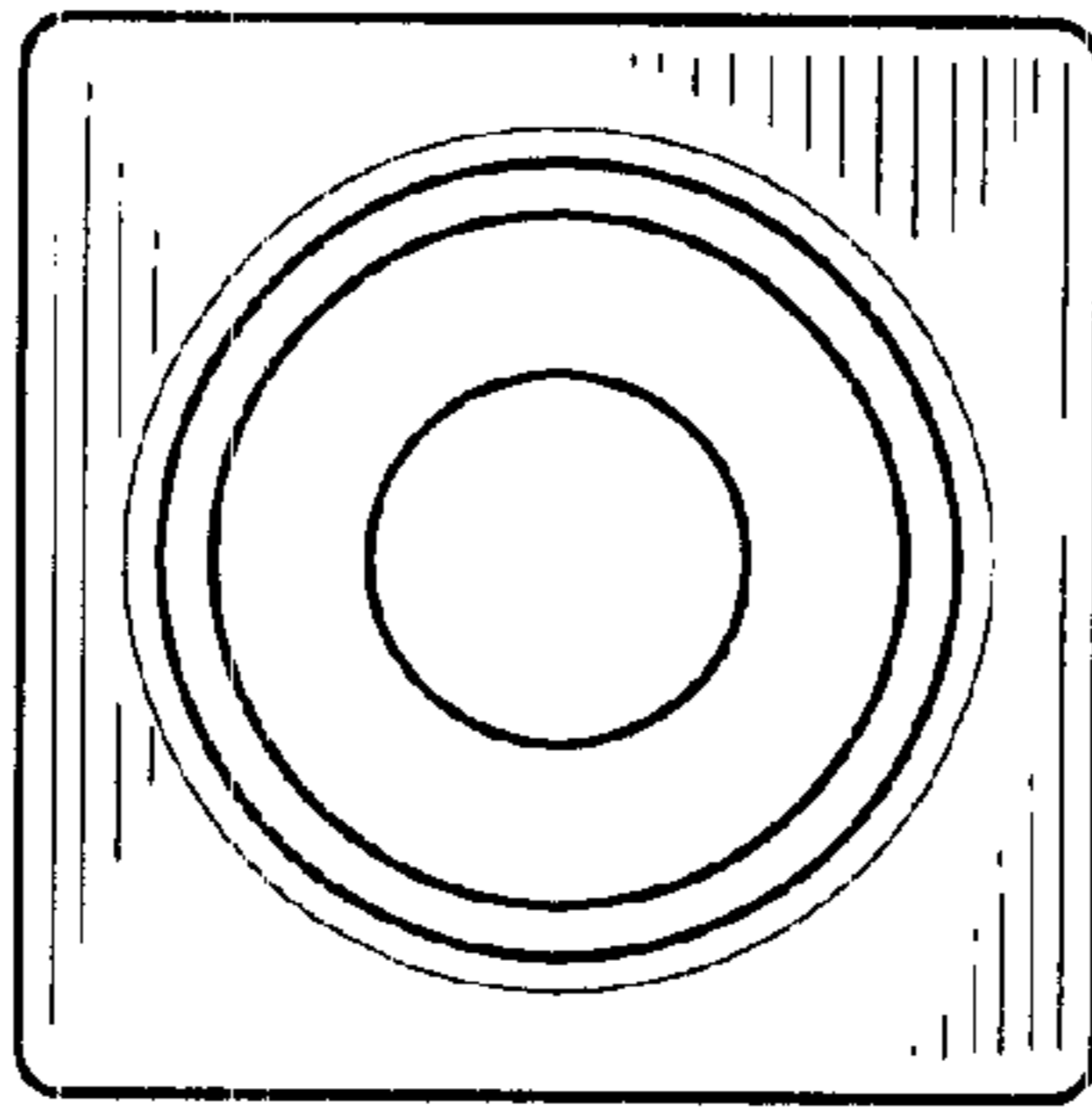


Fig. 5

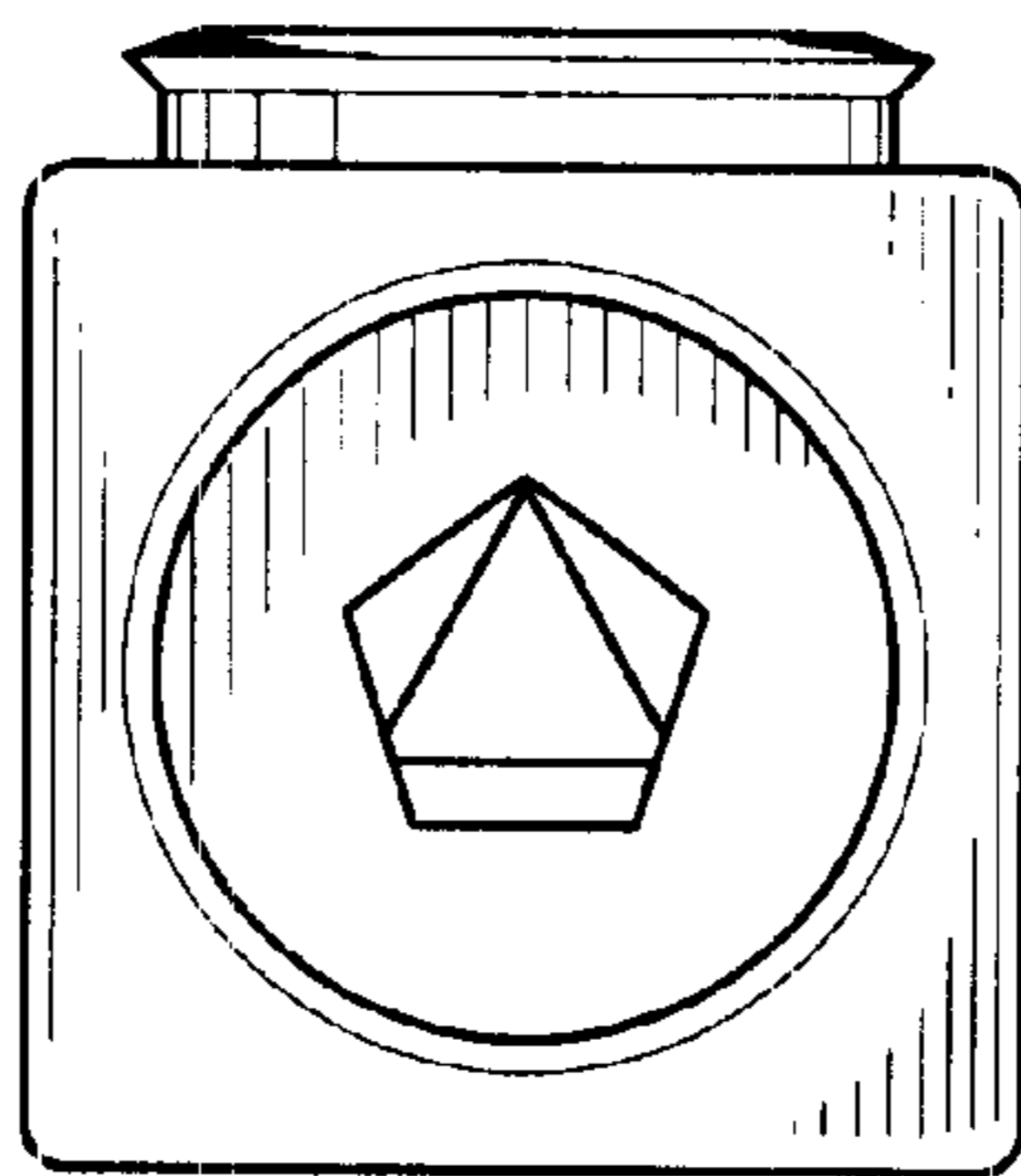


Fig. 6

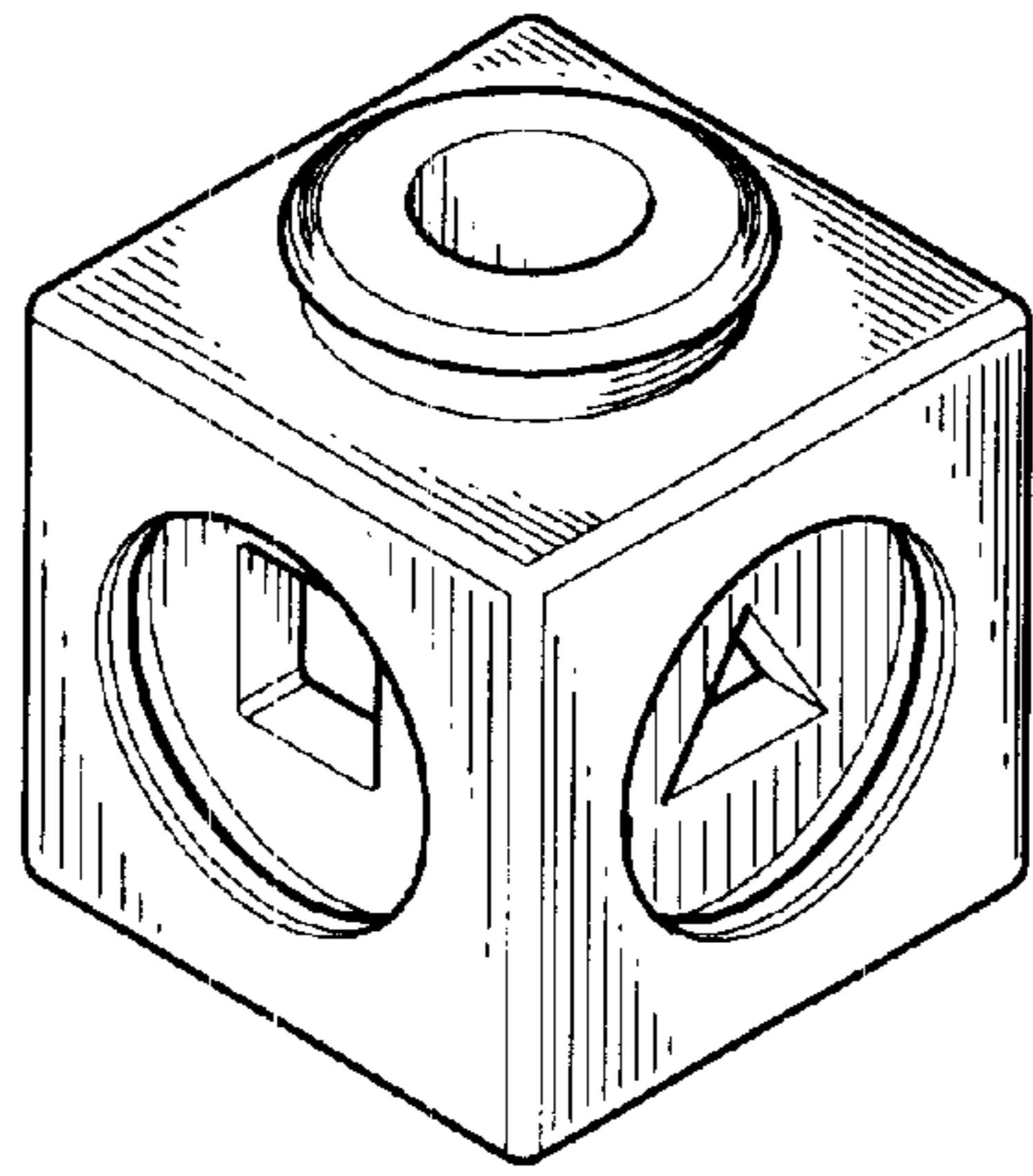


Fig. 7

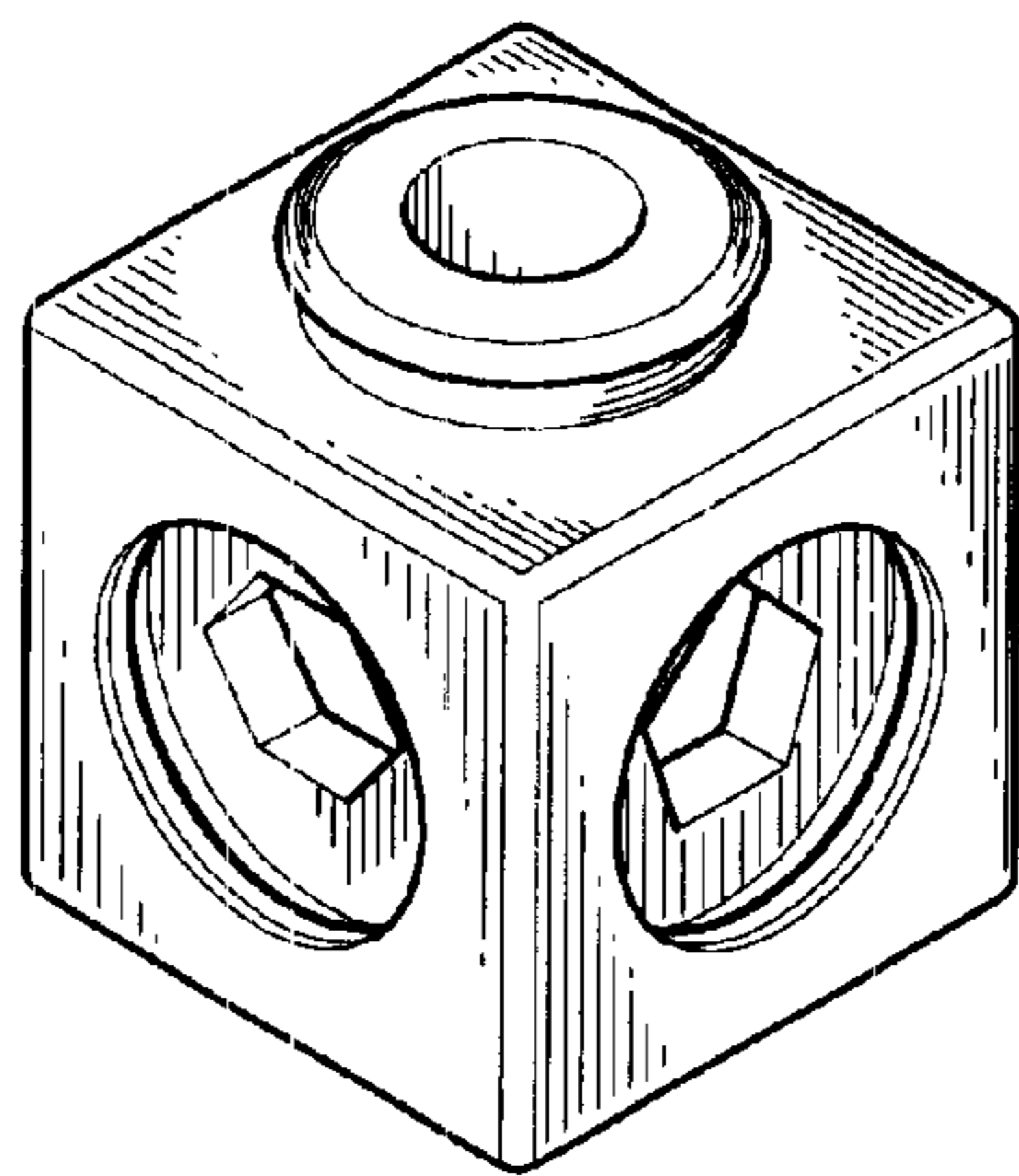


Fig. 8

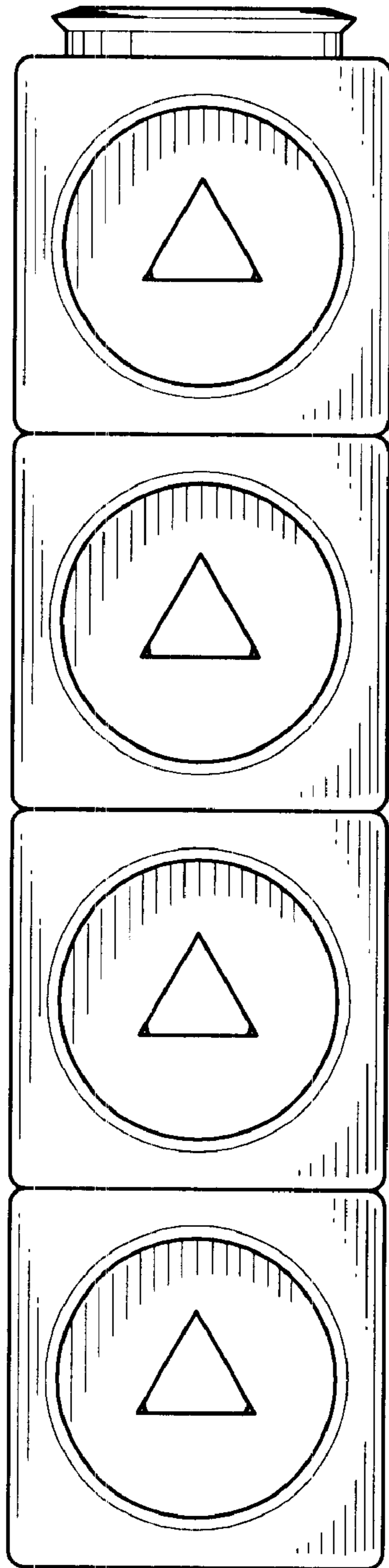


Fig. 9

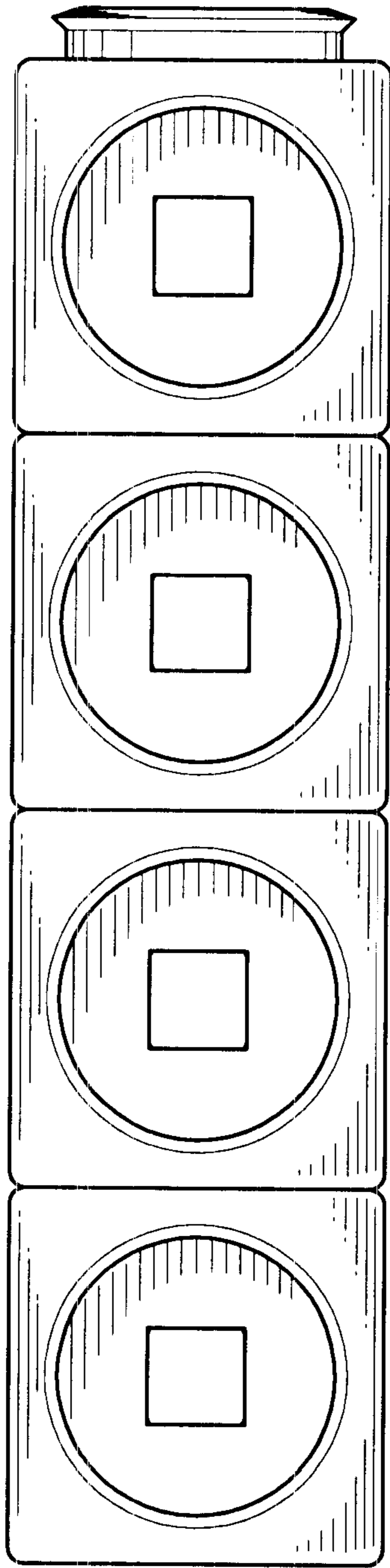


Fig. 10

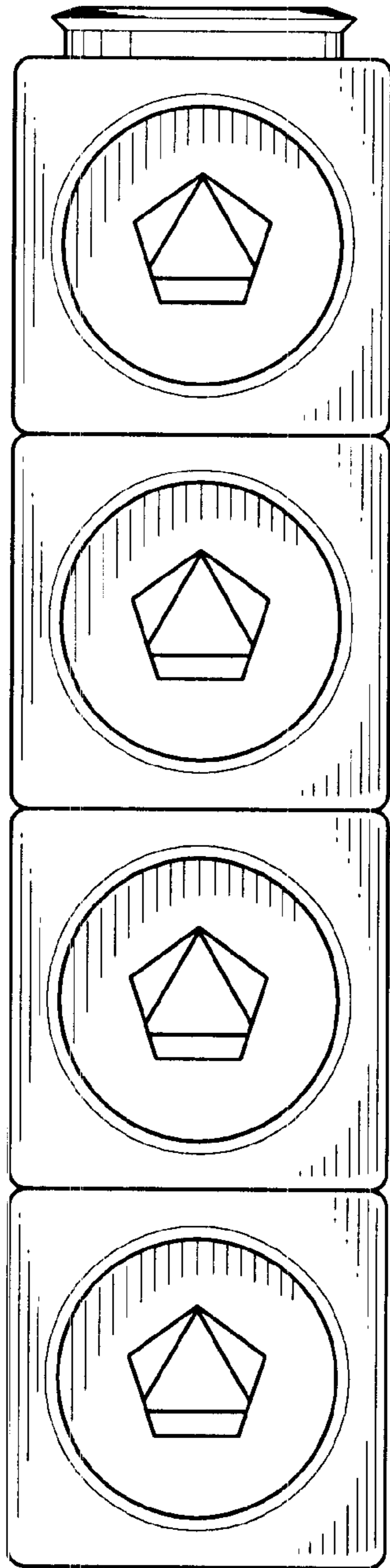


Fig. 11



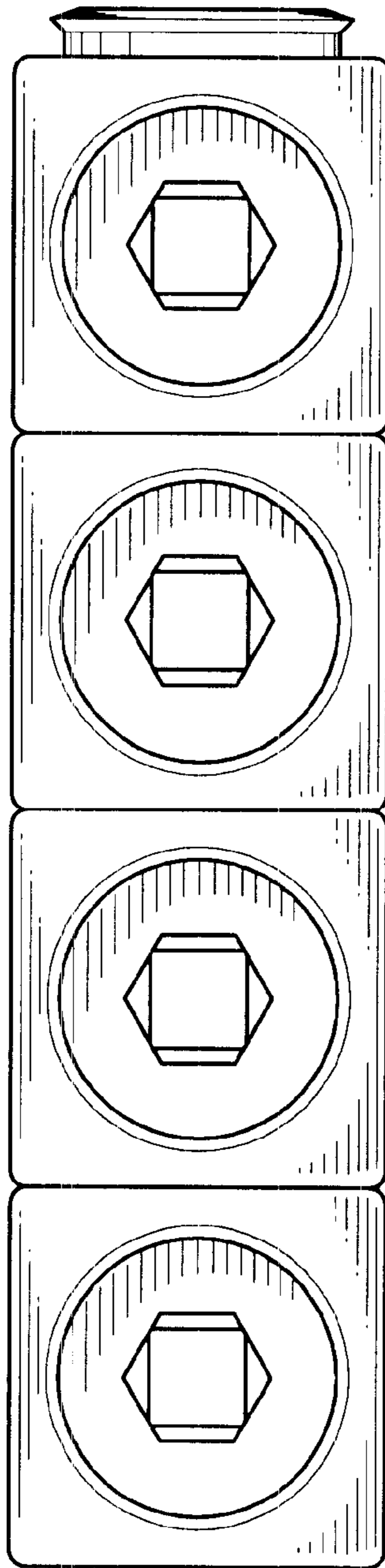


Fig. 12

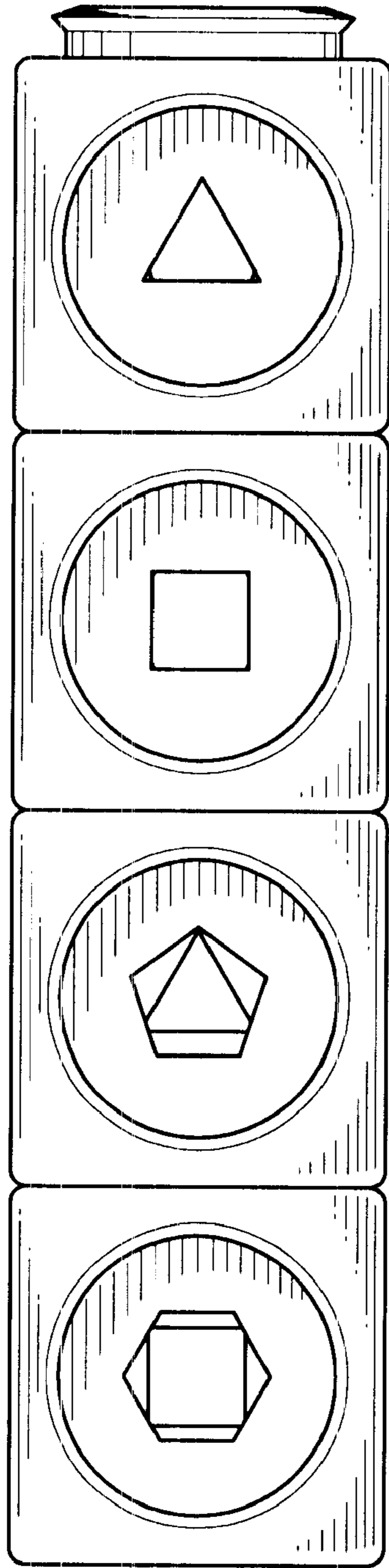


Fig. 13