



US00D464679S

(12) **United States Design Patent** (10) **Patent No.:** **US D464,679 S**  
**Leins** (45) **Date of Patent:** **\*\* Oct. 22, 2002**

(54) **MULTI PURPOSE HAND OPERATED OFFICE UTENSIL**

(75) Inventor: **Hanspeter Leins**, Nagold (DE)

(73) Assignee: **Ctech AG**, Landquart (CH)

(\*\*) Term: **14 Years**

(21) Appl. No.: **29/129,536**

(22) Filed: **Aug. 29, 2000**

**Related U.S. Application Data**

(63) Continuation of application No. 29/099,577, filed on Jan. 22, 1999, now Pat. No. Des. 448,410.

(30) **Foreign Application Priority Data**

Jul. 23, 1998 (XH) ..... DM/044 810

(51) **LOC (7) Cl.** ..... **19-06**

(52) **U.S. Cl.** ..... **D19/65; D8/105**

(58) **Field of Search** ..... **D19/65, 75, 77, D19/81-85, 99, 100; D8/98, 104, 105; 7/118, 119, 160, 163, 164; 30/152**

(56) **References Cited**

**U.S. PATENT DOCUMENTS**

662,005 A 11/1900 Lewis

(List continued on next page.)

**FOREIGN PATENT DOCUMENTS**

DE P.A. 1980350-3458 6/1958

(List continued on next page.)

**OTHER PUBLICATIONS**

Brochure, "Wenger. The Genuine Swiss Armu Knife", 27 pages.

(List continued on next page.)

*Primary Examiner*—Martie K. Holtje

(74) *Attorney, Agent, or Firm*—Brinks Hofer Gilson & Lione

(57) **CLAIM**

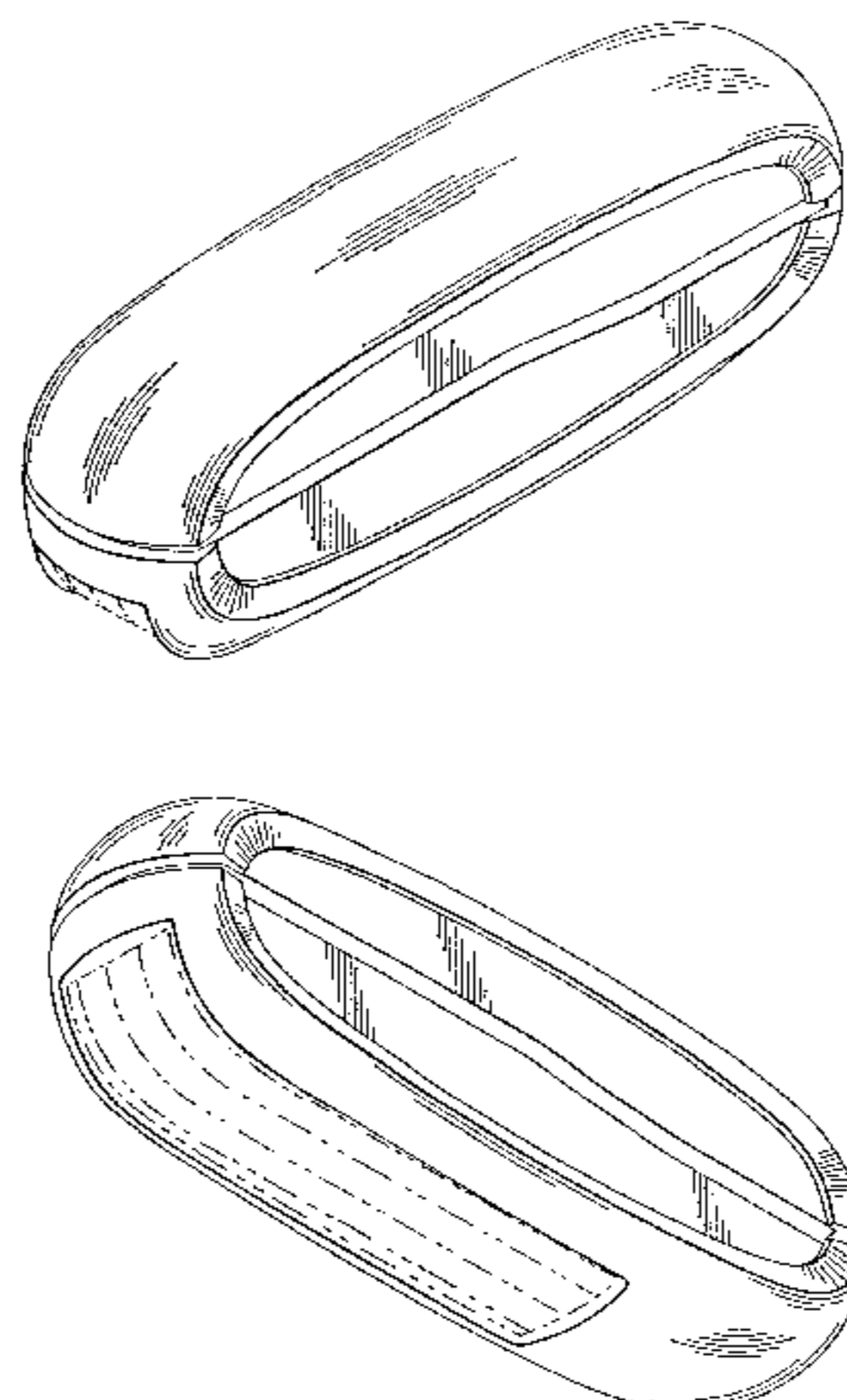
The ornamental design for a multi purpose hand operated office utensil, as shown and described.

**DESCRIPTION**

FIG. 1 is a first perspective view of a multi purpose hand operated office utensil showing my new design;

FIG. 2 is a second perspective view of FIG. 1;  
FIG. 3 is a third perspective view of FIG. 1;  
FIG. 4 is a fourth perspective view of FIG. 1;  
FIG. 5 is a front elevational view of FIG. 1;  
FIG. 6 is a rear elevational view of FIG. 1;  
FIG. 7 is a rightside elevational view of FIG. 1;  
FIG. 8 is a leftside elevational view of FIG. 1;  
FIG. 9 is a top plan view of FIG. 1;  
FIG. 10 is a bottom plan view of FIG. 1;  
FIG. 11 is another perspective view of my new design of FIG. 1;  
FIG. 12 is a second perspective view of FIG. 11;  
FIG. 13 is a third perspective view of FIG. 11;  
FIG. 14 is a fourth perspective view of FIG. 11;  
FIG. 15 is a front elevational view of FIG. 11;  
FIG. 16 is a rear elevational view of FIG. 11;  
FIG. 17 is a rightside elevational view of FIG. 11;  
FIG. 18 is a leftside elevational view of FIG. 11;  
FIG. 19 is a top plan view of FIG. 11;  
FIG. 20 is a bottom plan view of FIG. 11;  
FIG. 21 is another perspective view of my new design of FIG. 1;  
FIG. 22 is a second perspective view of FIG. 21;  
FIG. 23 is a third perspective view of FIG. 21;  
FIG. 24 is a fourth perspective view of FIG. 21;  
FIG. 25 is a front elevational view of FIG. 21;  
FIG. 26 is a rear elevational view of FIG. 21;  
FIG. 27 is a rightside elevational view of FIG. 21;  
FIG. 28 is a leftside elevational view of FIG. 21;  
FIG. 29 is a top plan view of FIG. 21;  
FIG. 30 is a bottom plan view of FIG. 21;  
FIG. 31 is another perspective view of my new design of FIG. 1;  
FIG. 32 is a second perspective view of FIG. 31;  
FIG. 33 is a third perspective view of FIG. 31;  
FIG. 34 is a fourth perspective view of FIG. 31;  
FIG. 35 is a front elevational view of FIG. 31;  
FIG. 36 is a rear elevational view of FIG. 31;  
FIG. 37 is a rightside elevational view of FIG. 31;  
FIG. 38 is a leftside elevational view of FIG. 31;  
FIG. 39 is a top plan view of FIG. 31; and,  
FIG. 40 is a bottom plan view of FIG. 31.  
The features shown in dotted lines form no part of the claimed design.

**1 Claim, 20 Drawing Sheets**



# US D464,679 S

Page 2

## U.S. PATENT DOCUMENTS

790,432 A 5/1905 Heilrath  
857,459 A 6/1907 Hendrickson  
2,264,322 A 12/1941 Maynard ..... 1/3  
2,486,500 A 11/1949 Shocket ..... 1/49  
2,726,393 A 12/1955 Vogel ..... 1/3.05  
3,640,443 A 2/1972 Itagaki ..... 227/120  
3,907,190 A 9/1975 Mitsuhashi ..... 227/127  
3,951,325 A 4/1976 Mitsuhashi ..... 227/76  
4,002,281 A 1/1977 Hsu ..... 227/63  
4,114,793 A 9/1978 Hsu ..... 227/63  
4,240,572 A 12/1980 Mitsuhashi ..... 227/76  
4,288,018 A 9/1981 Taniguchi ..... 227/76  
4,491,261 A 1/1985 Mitsuhashi ..... 227/76  
4,640,451 A 2/1987 Steiner et al. .... 227/76  
4,727,610 A 3/1988 Lin ..... 7/160  
4,729,170 A 3/1988 Hartmeister ..... 30/363  
4,779,785 A 10/1988 Amagaya ..... 227/76  
4,783,867 A 11/1988 Tsao  
4,794,692 A 1/1989 Wang  
D302,102 S 7/1989 Amagaya  
D318,070 S 7/1991 Amagaya  
5,114,257 A 5/1992 Hsu ..... 401/195  
5,184,765 A 2/1993 Orozco ..... 227/27  
5,584,124 A 12/1996 Marthaler et al. .... 30/363  
5,655,697 A 8/1997 Yeh ..... 227/27  
D402,313 S 12/1998 Tzeng

D415,201 S 10/1999 Leins  
D425,125 S 5/2000 Leins  
D434,073 S \* 11/2000 Leins ..... D19/65  
D436,130 S \* 1/2001 Leins ..... D19/65  
D437,615 S \* 2/2001 Leins ..... D19/65  
D441,020 S \* 4/2001 Leins ..... D19/65  
D448,410 S \* 9/2001 Leins ..... D19/65

## FOREIGN PATENT DOCUMENTS

DE 26 25 749 A1 12/1977  
DE 4021645 A1 2/1991  
DE 41 10 688 A1 9/1991  
EP 0 306 678 A2 3/1989  
GB 2 186 227 A 8/1987  
GB 2196896 A 4/1988  
JP 08112781 A 5/1996  
WO WO 84/01739 5/1984

## OTHER PUBLICATIONS

Brochure, "Wenger. The Genuine Swiss Army Knife™", 8 pages.  
Six photographs showing top, bottom, left-side, right-side, front, and rear views of "MoMA PLUS" device.  
WIPO International Designs Bulletin Issue No. Jan. 1997 (DM/038962), published Mar. 27, 1997.

\* cited by examiner

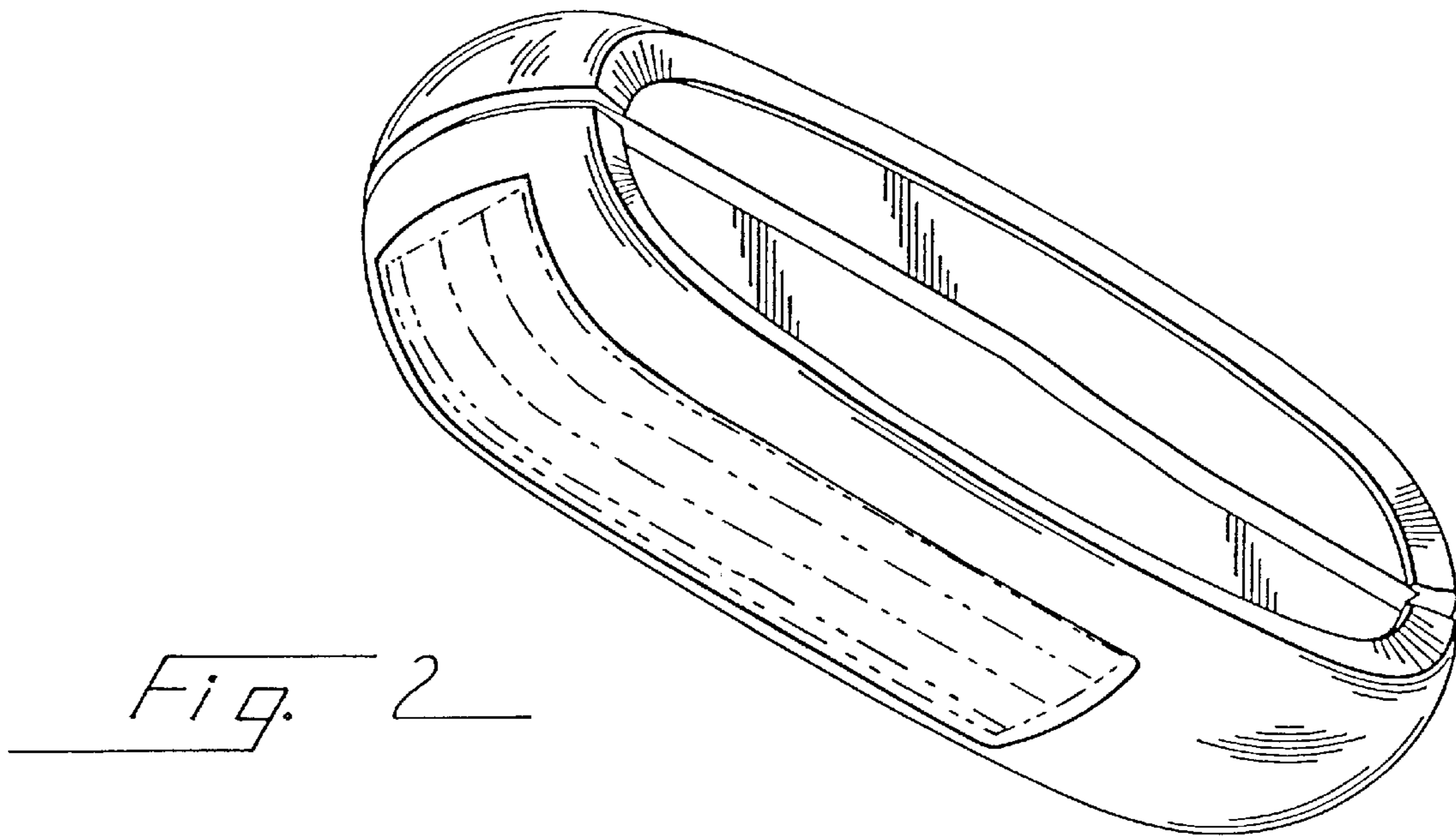
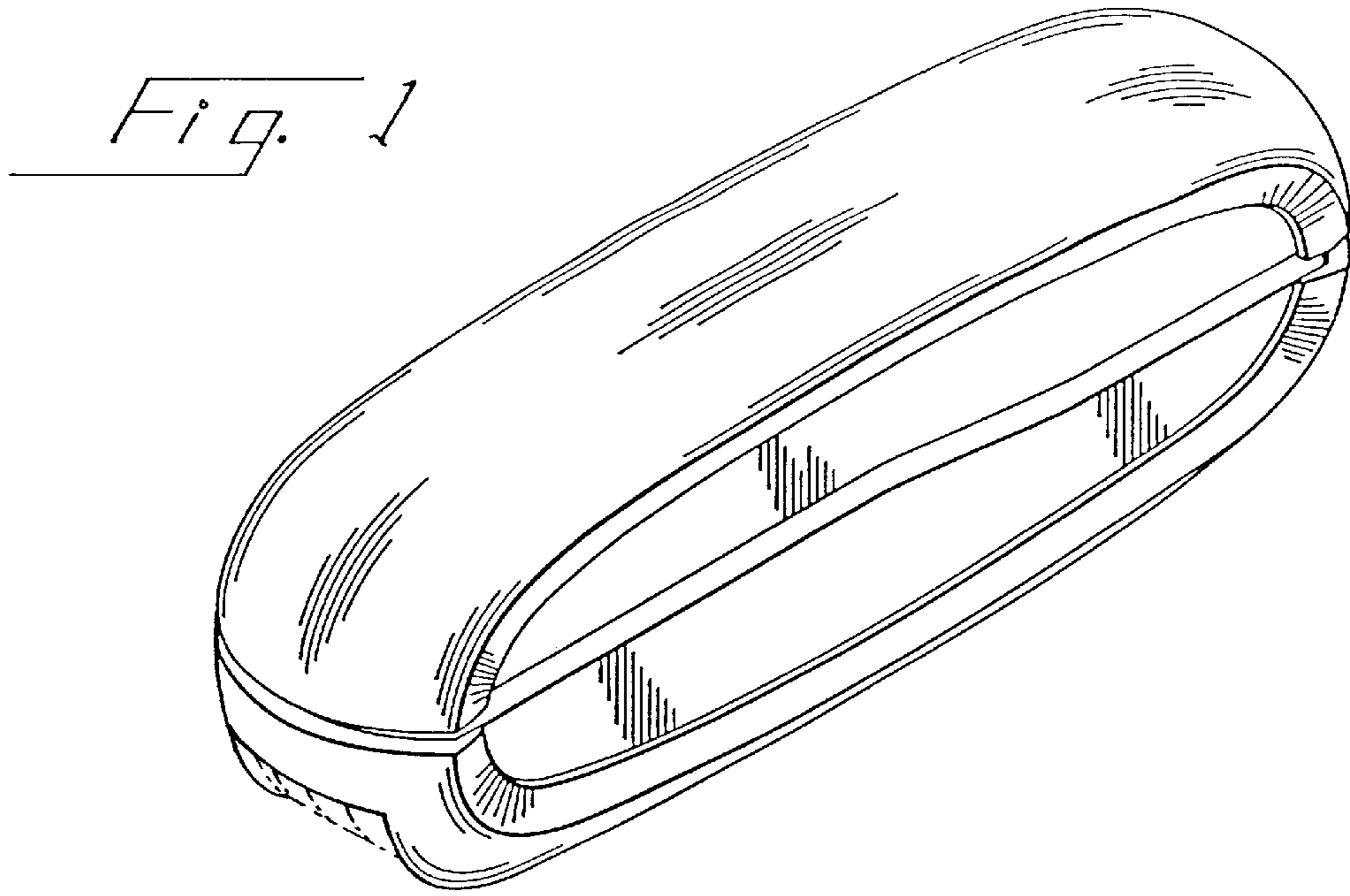


Fig. 3

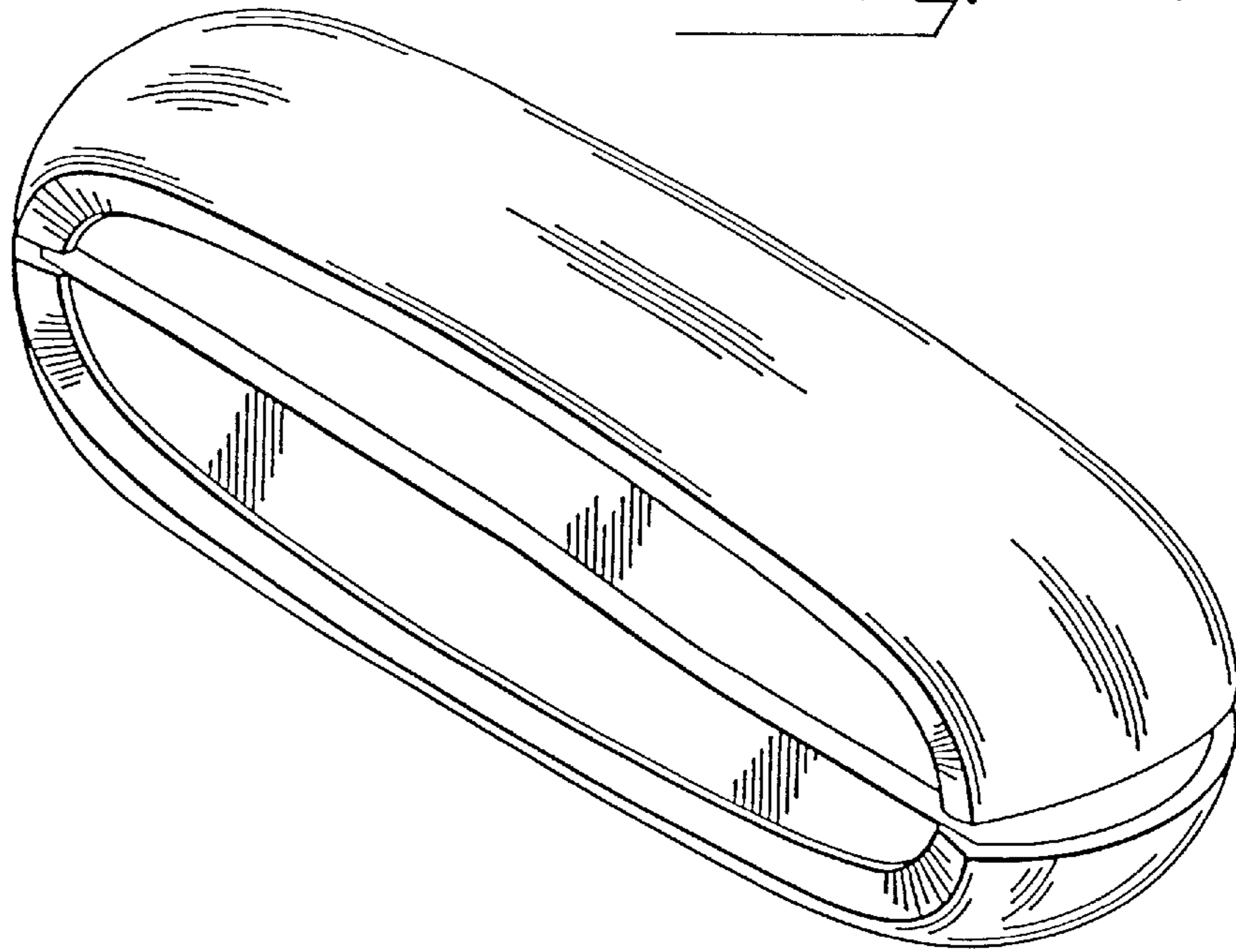
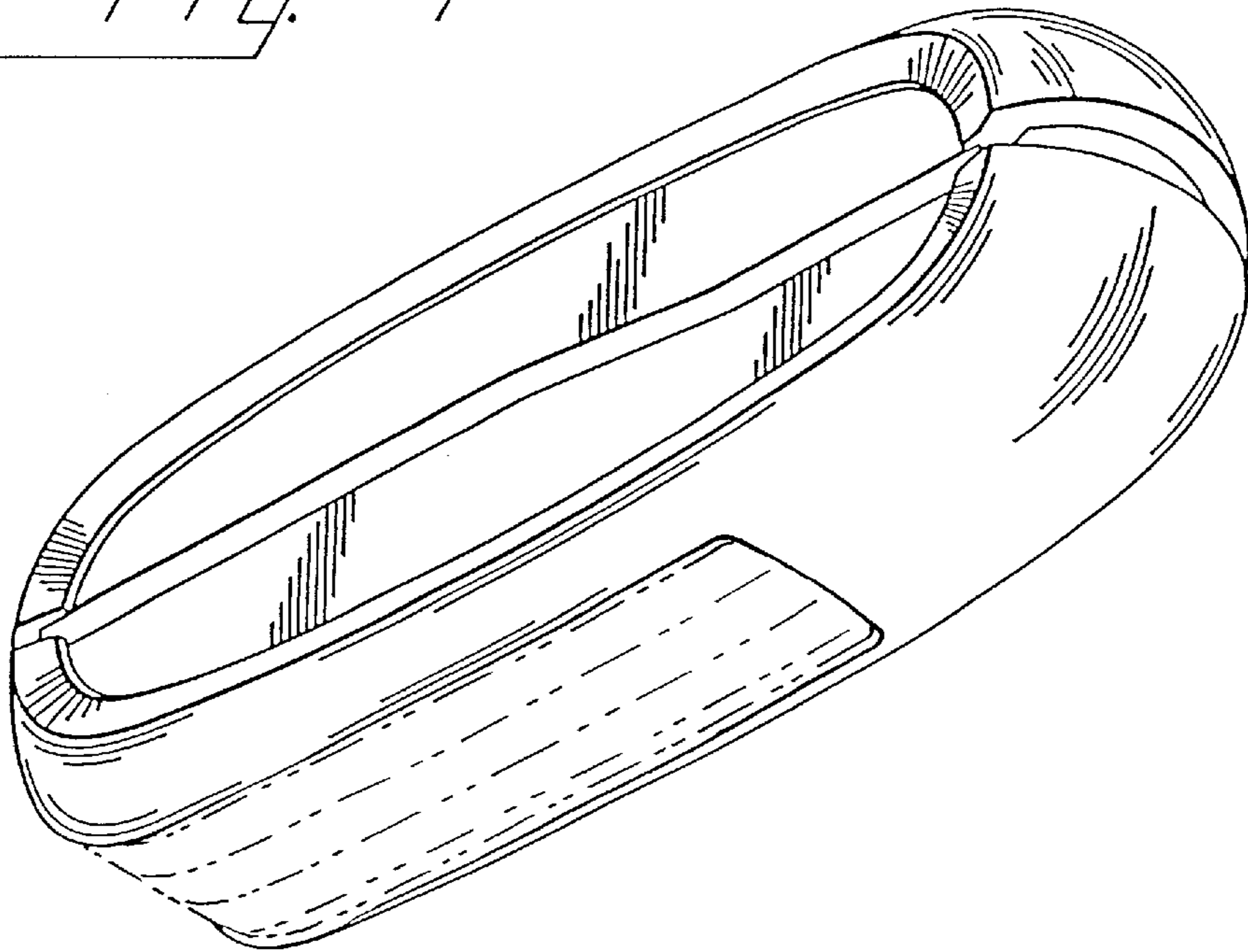
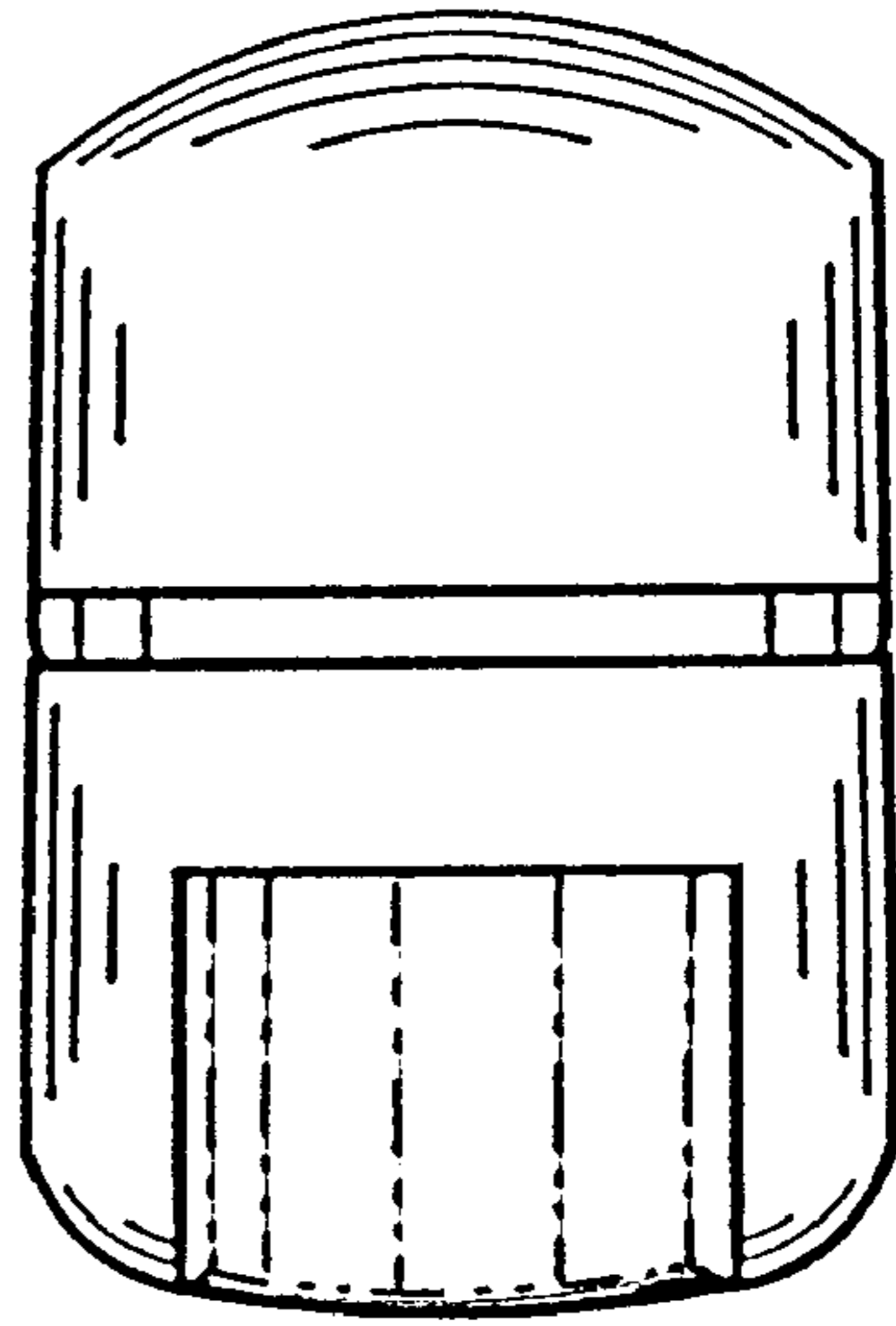


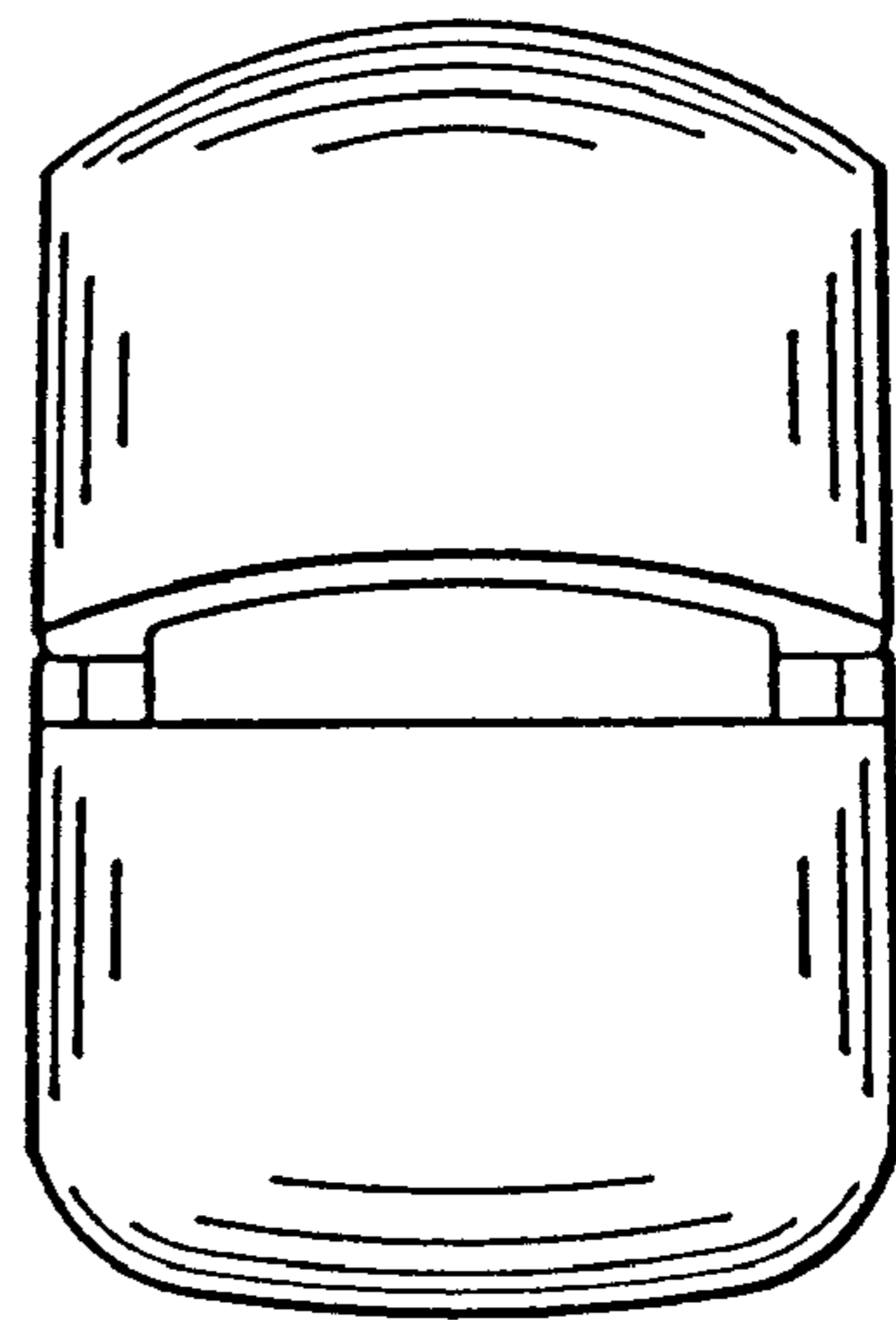
Fig. 4



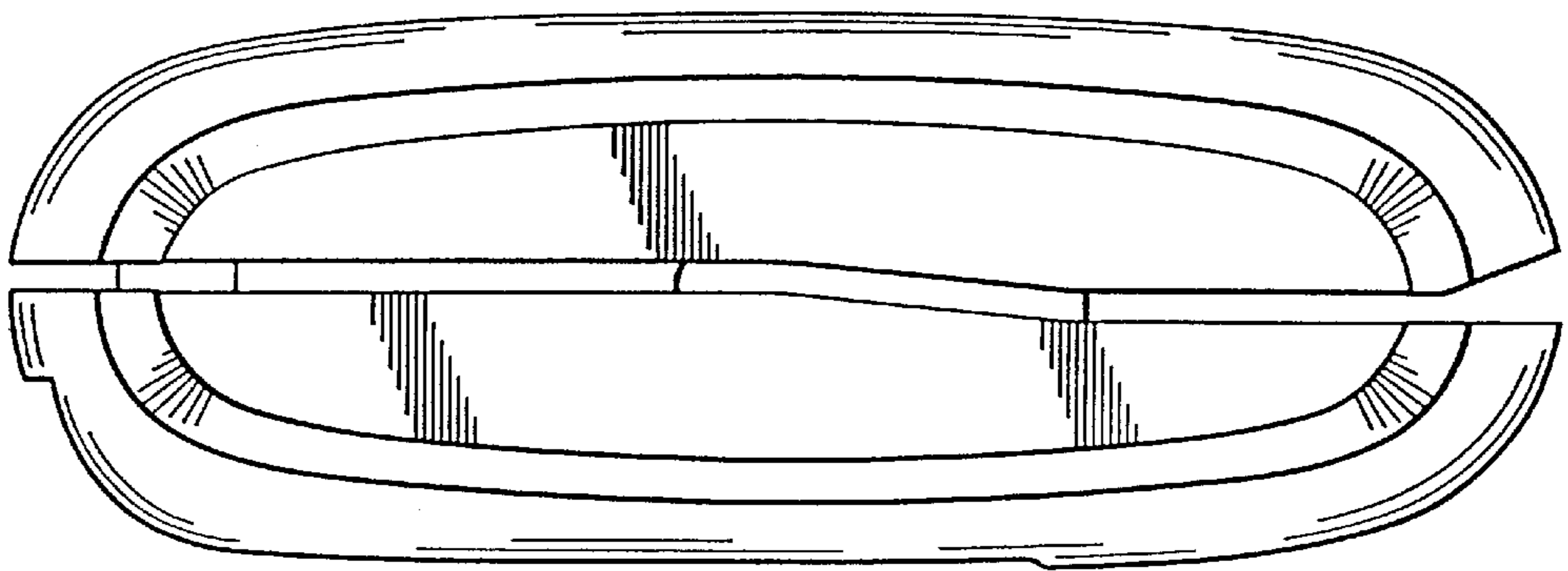
*Fig. 5*



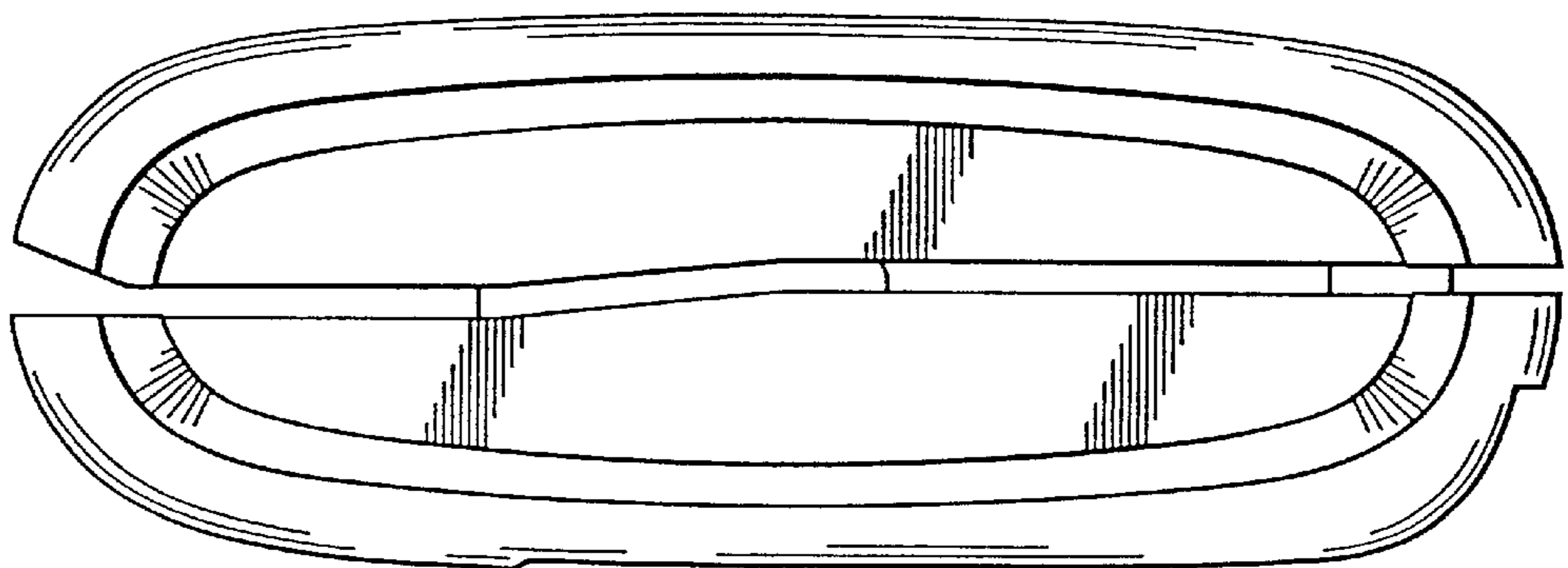
*Fig. 6*



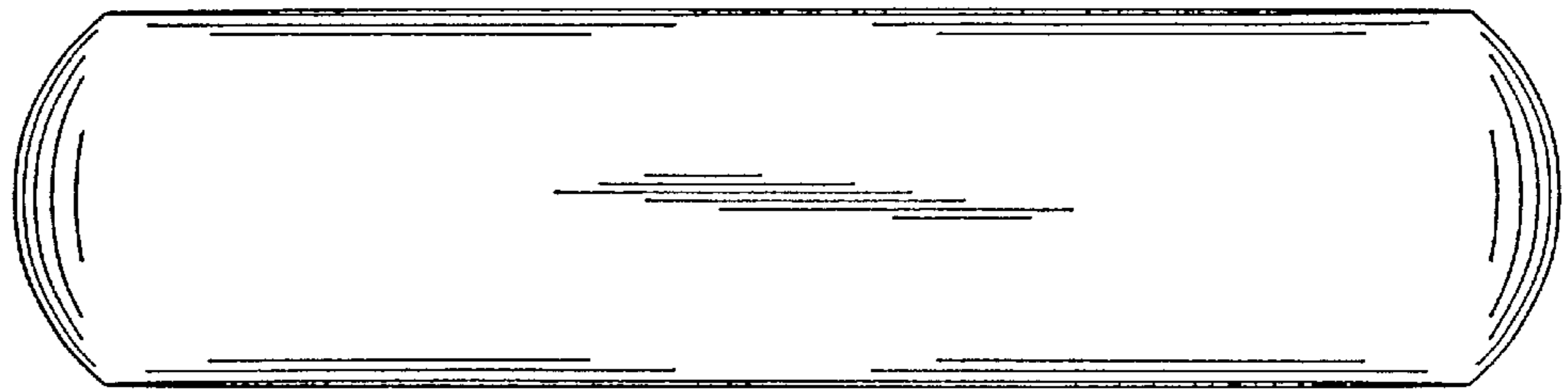
*Fig. 7*



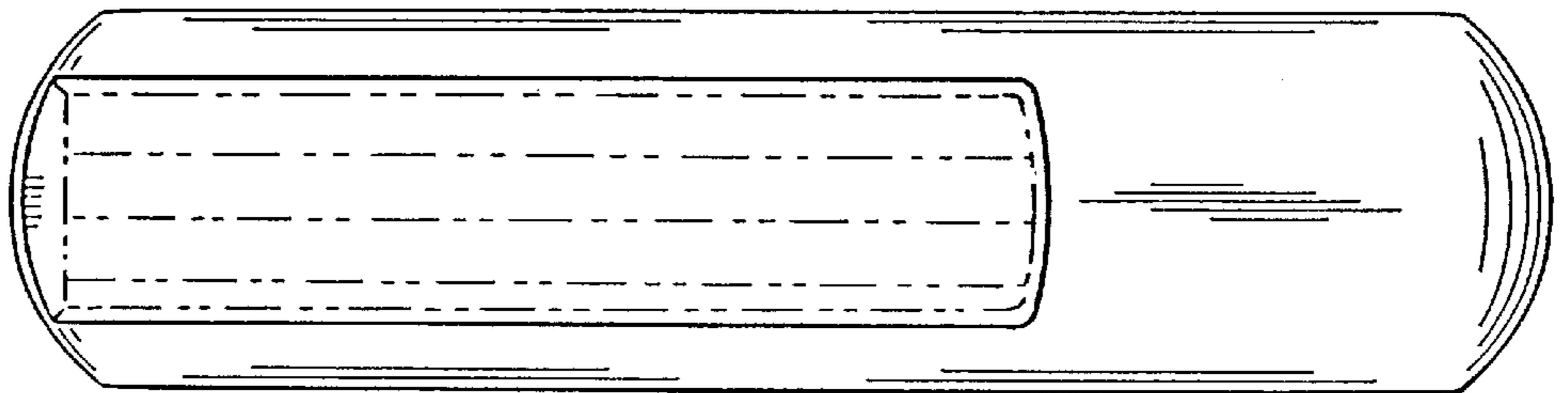
*Fig. 8*

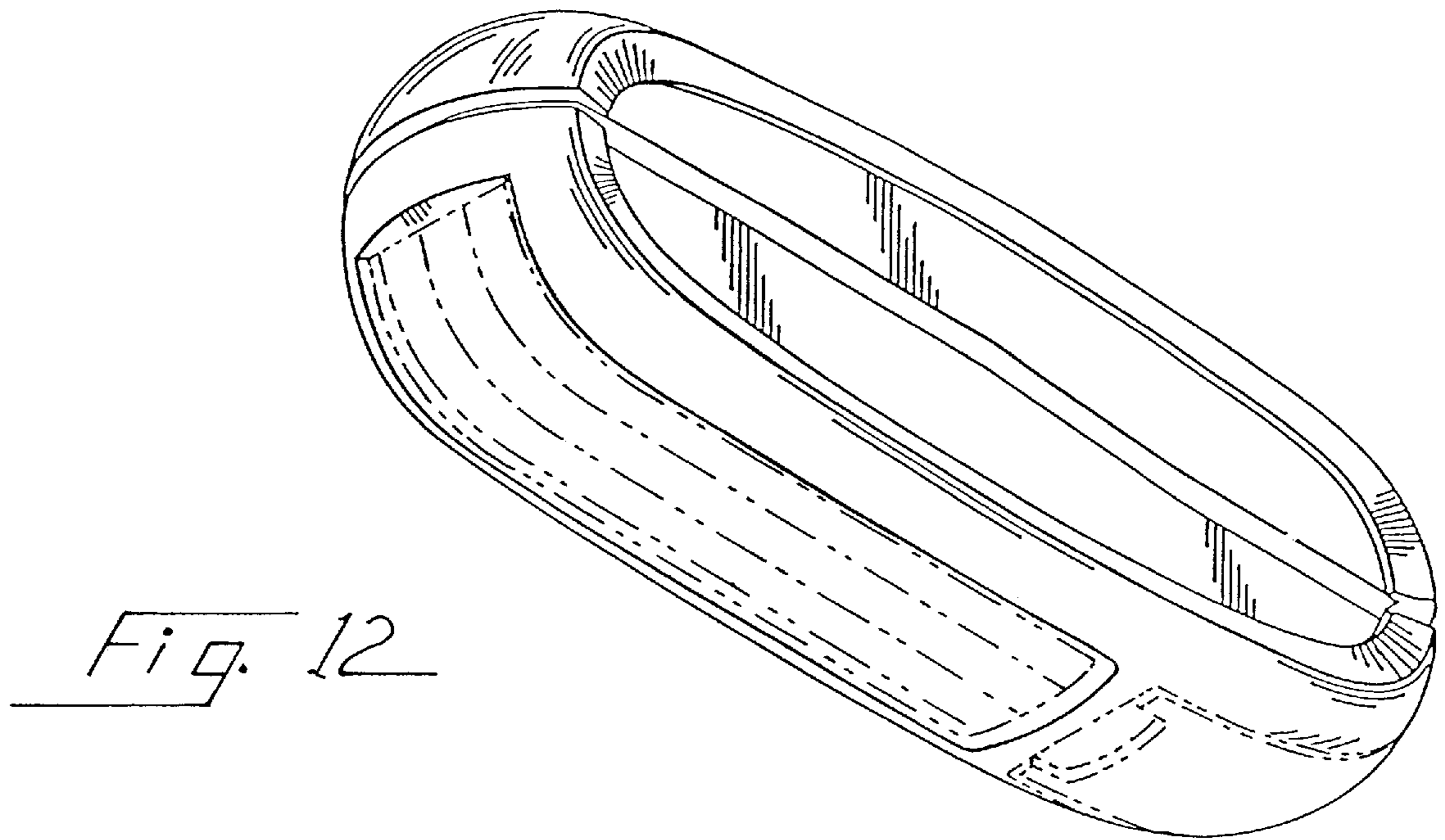
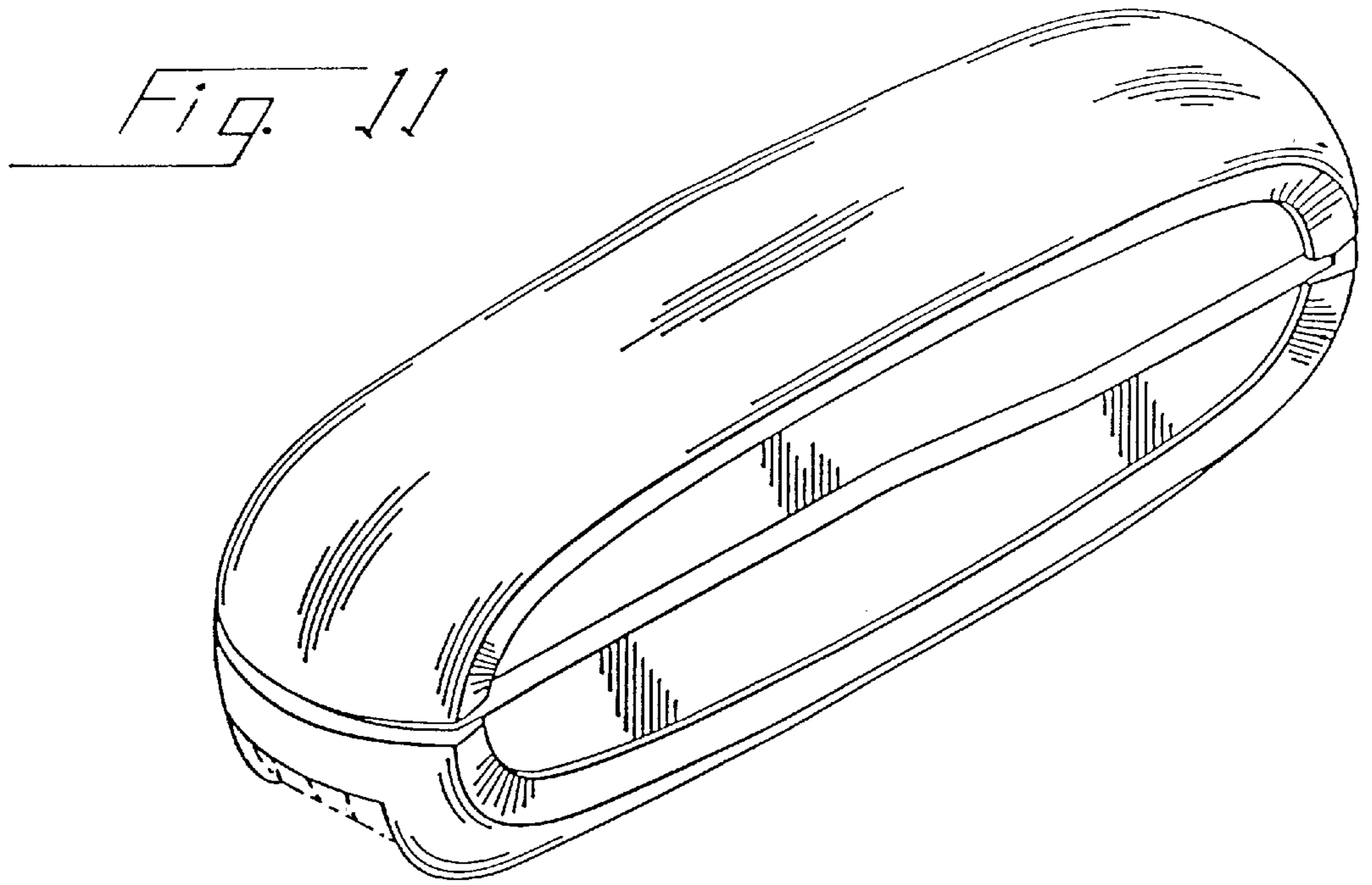


*Fig. 9*

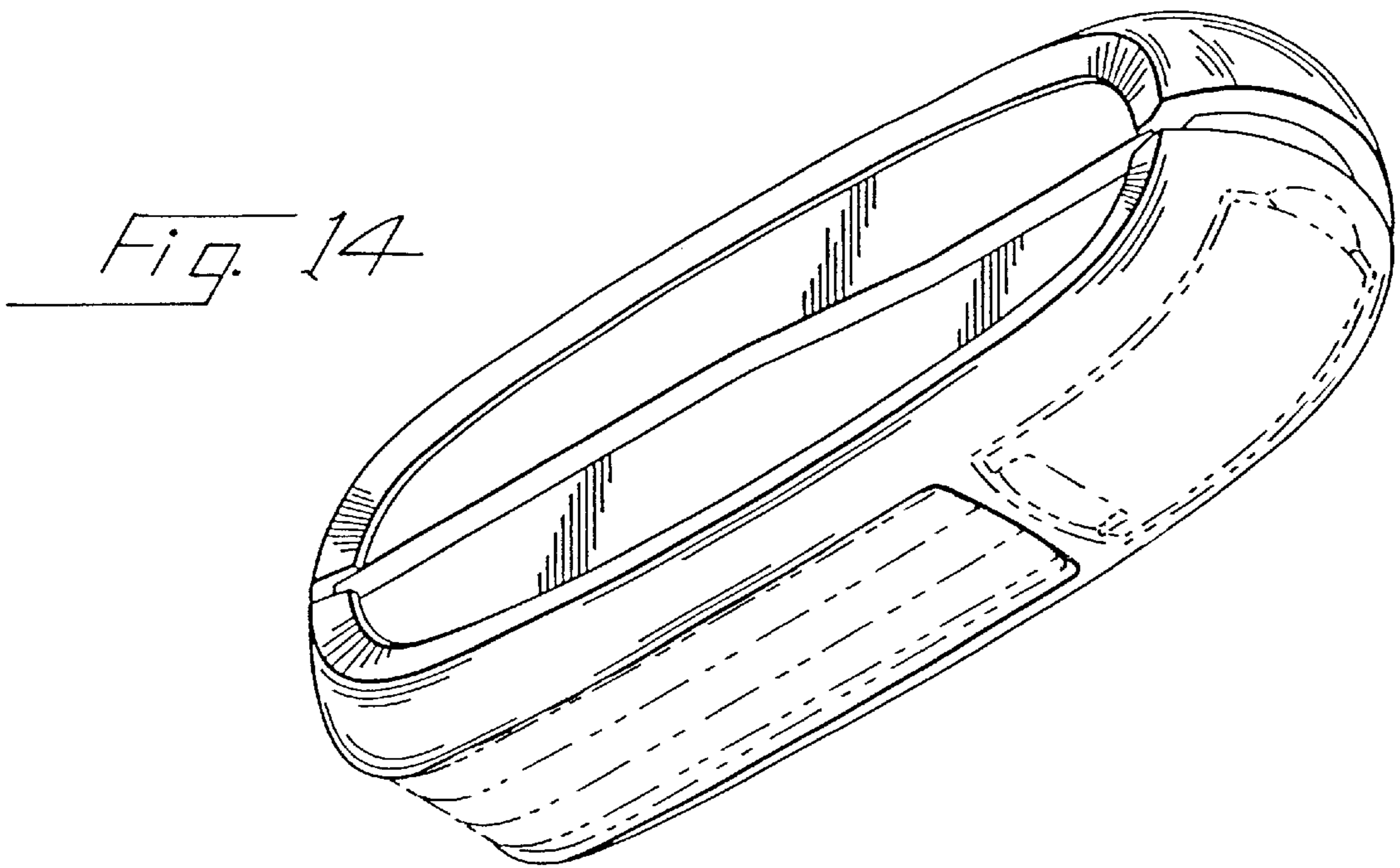
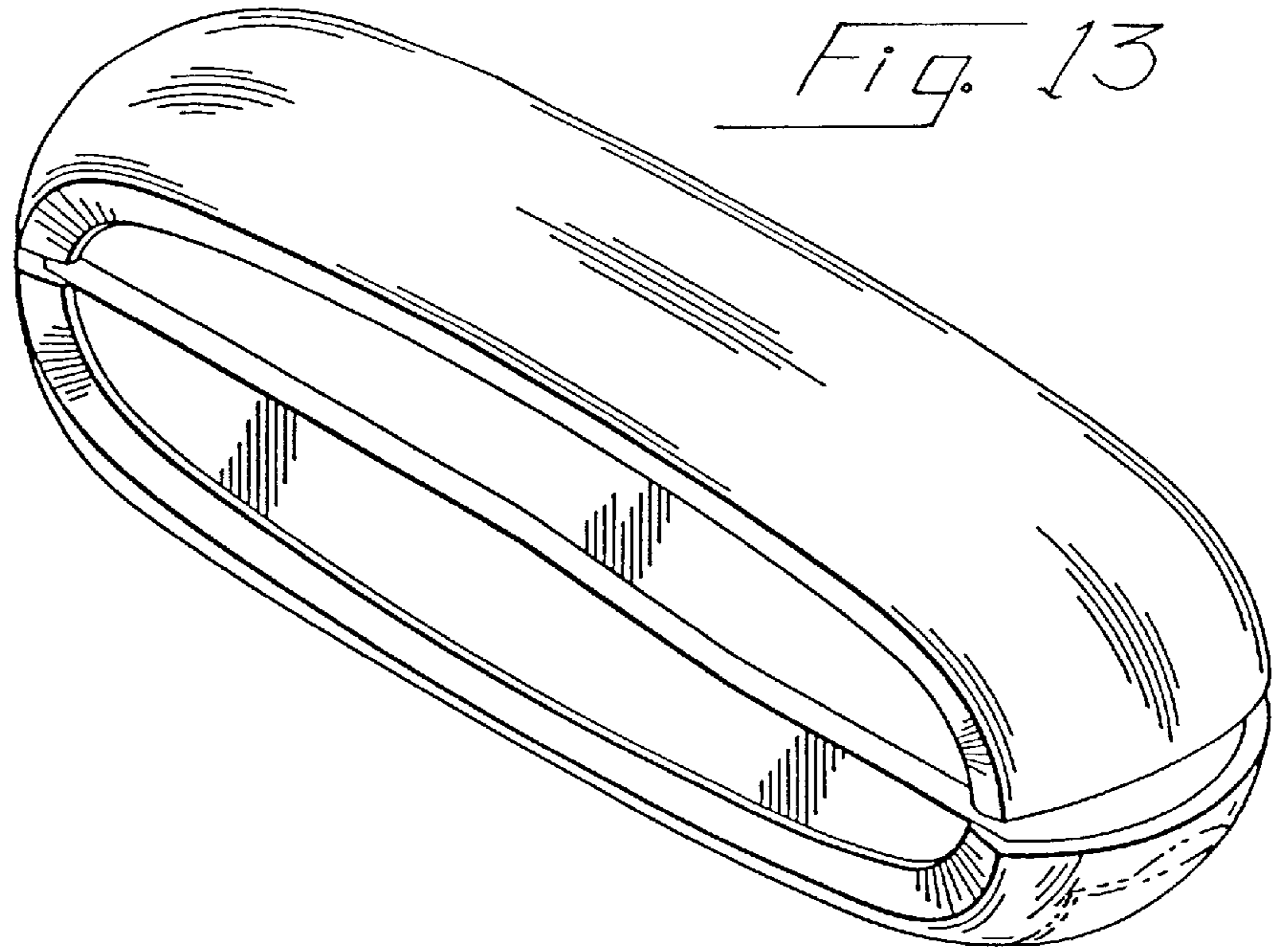


*Fig. 10*

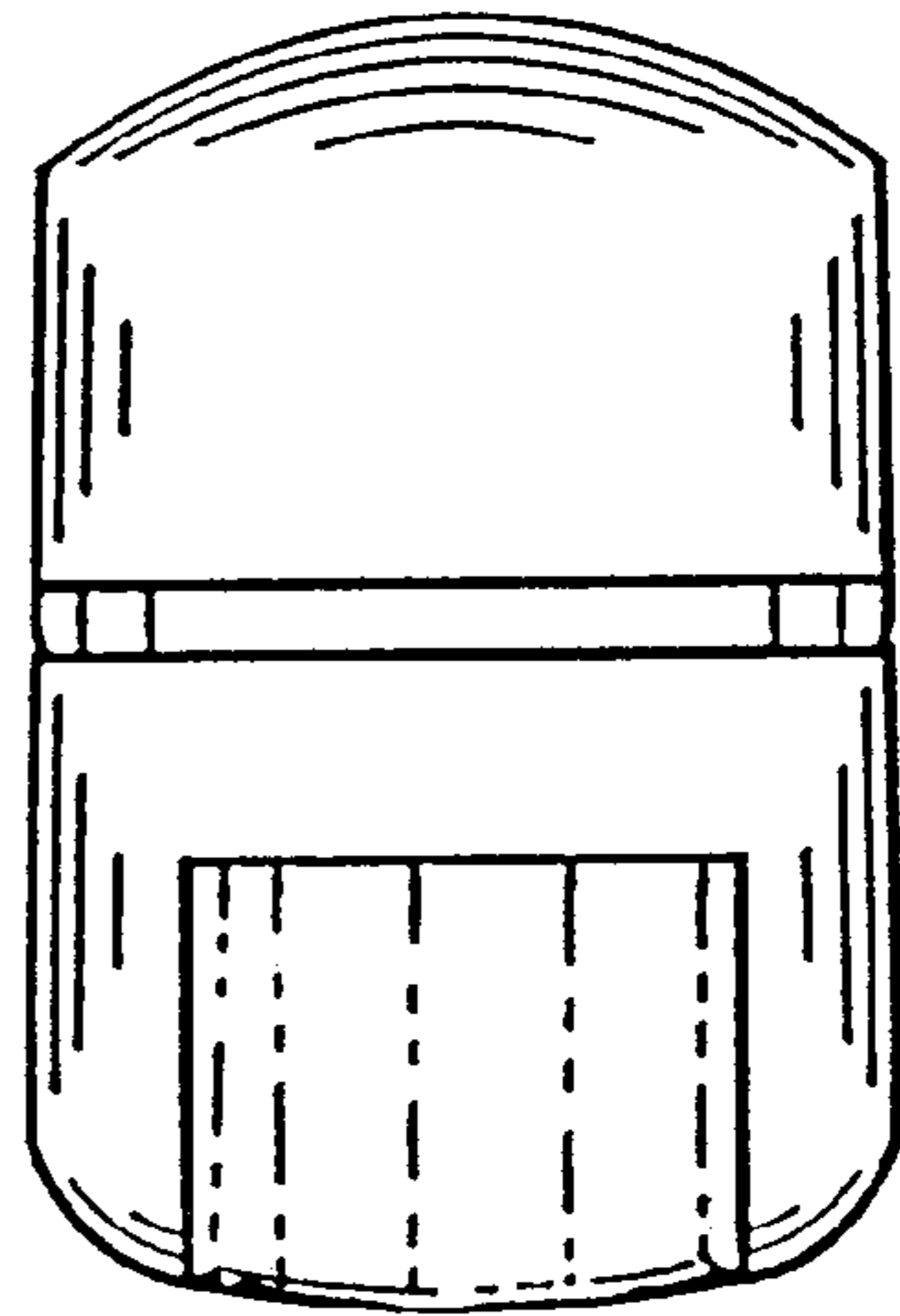




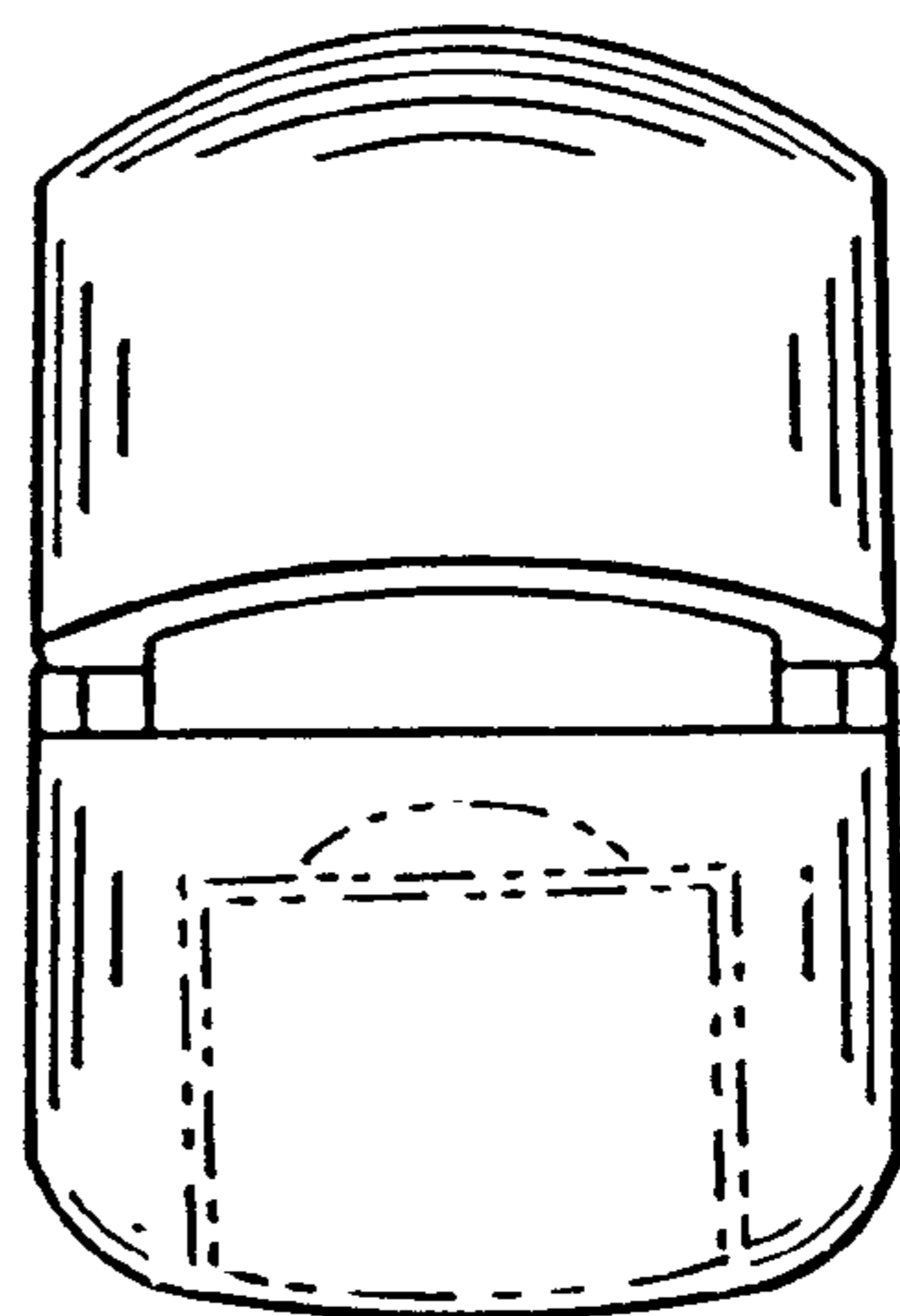




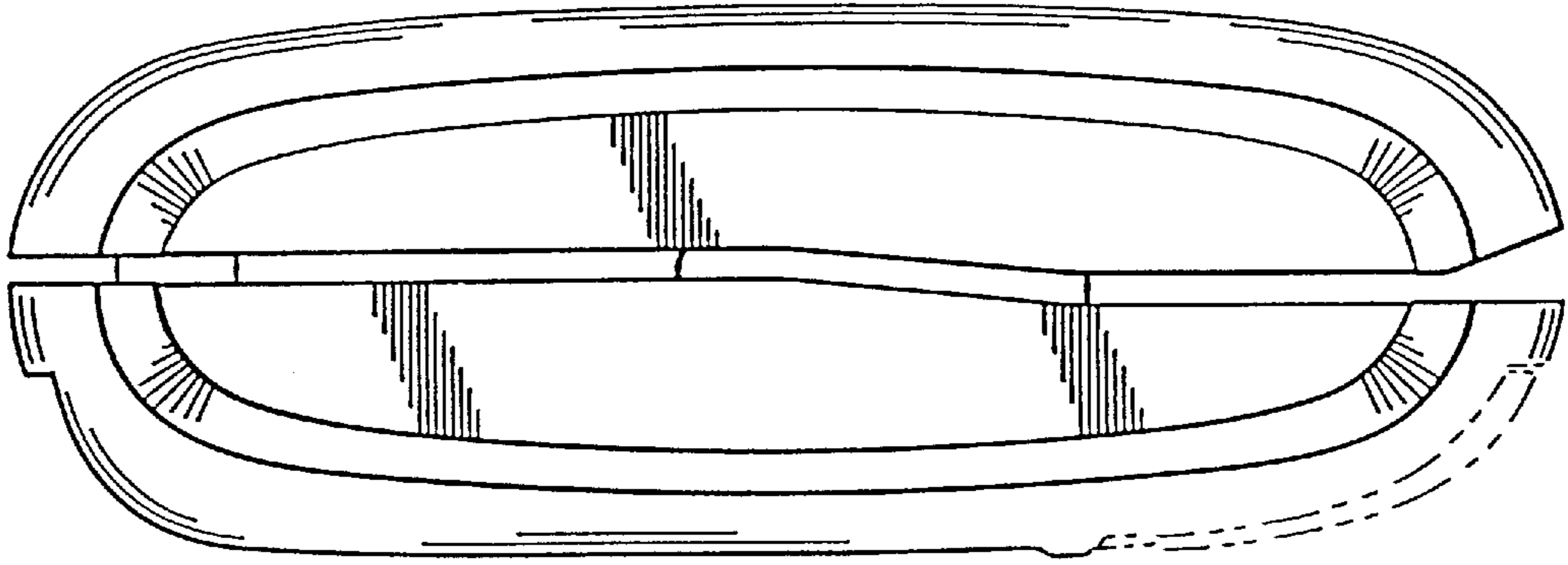
*Fig. 15*



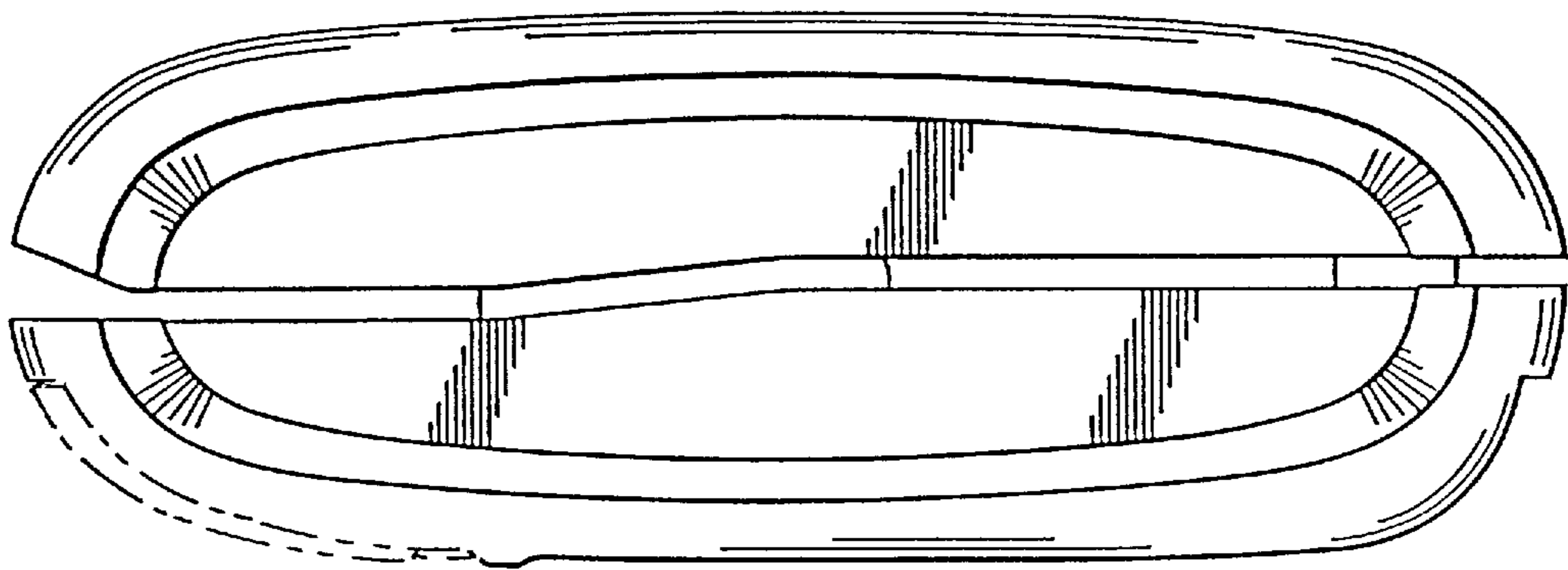
*Fig. 16*



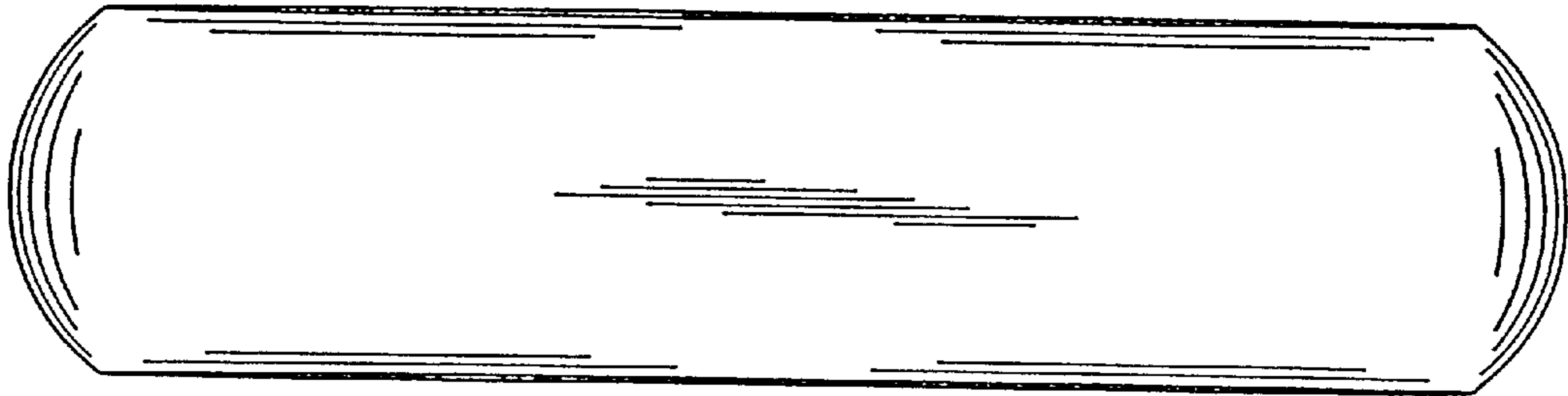
*Fig. 17*



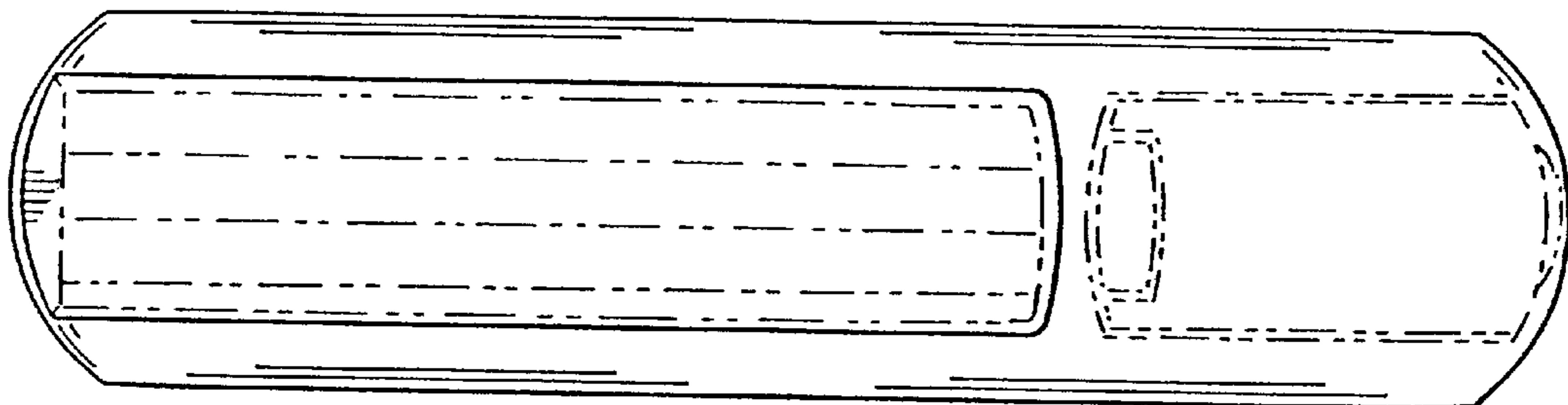
*Fig. 18*



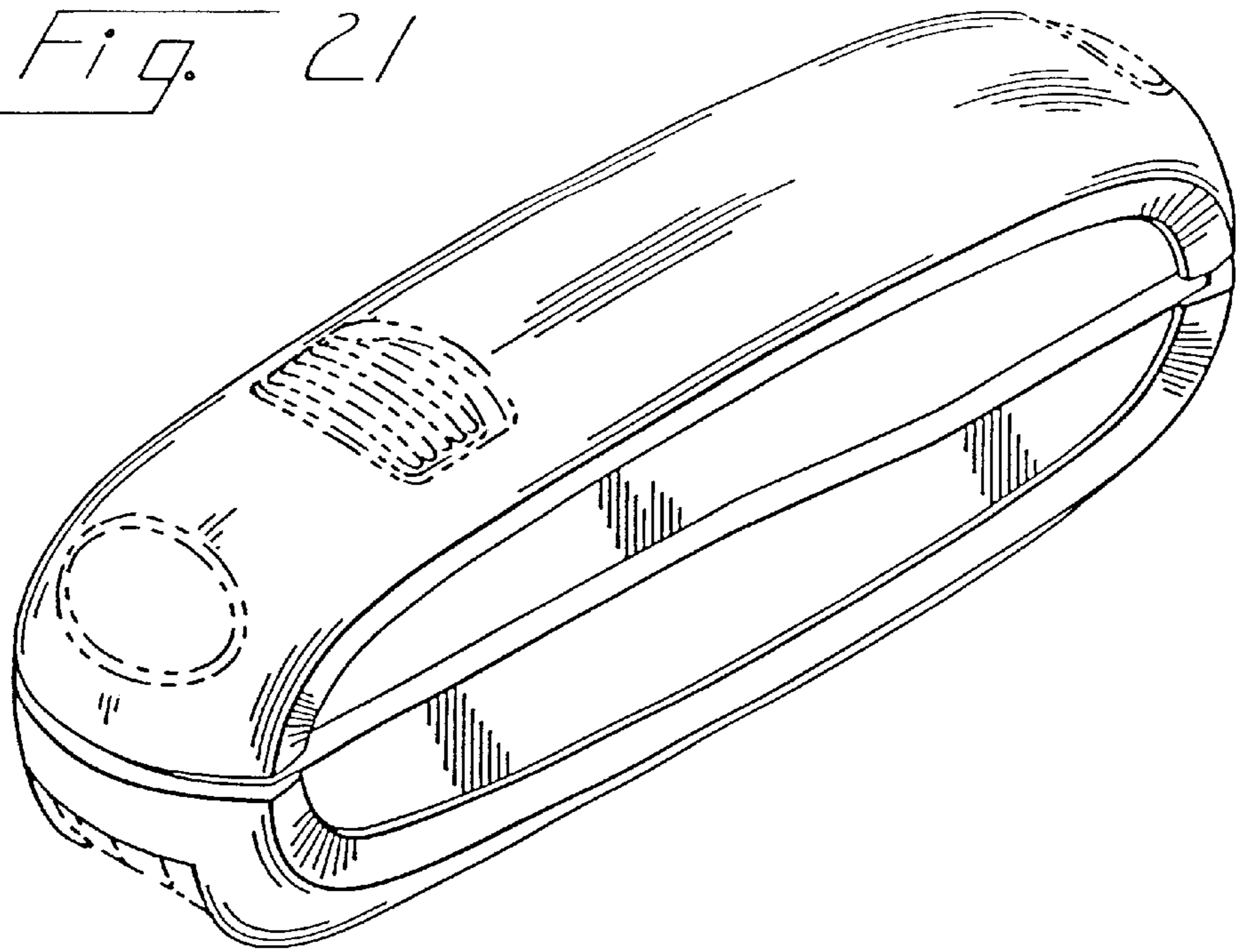
*Fig. 19*



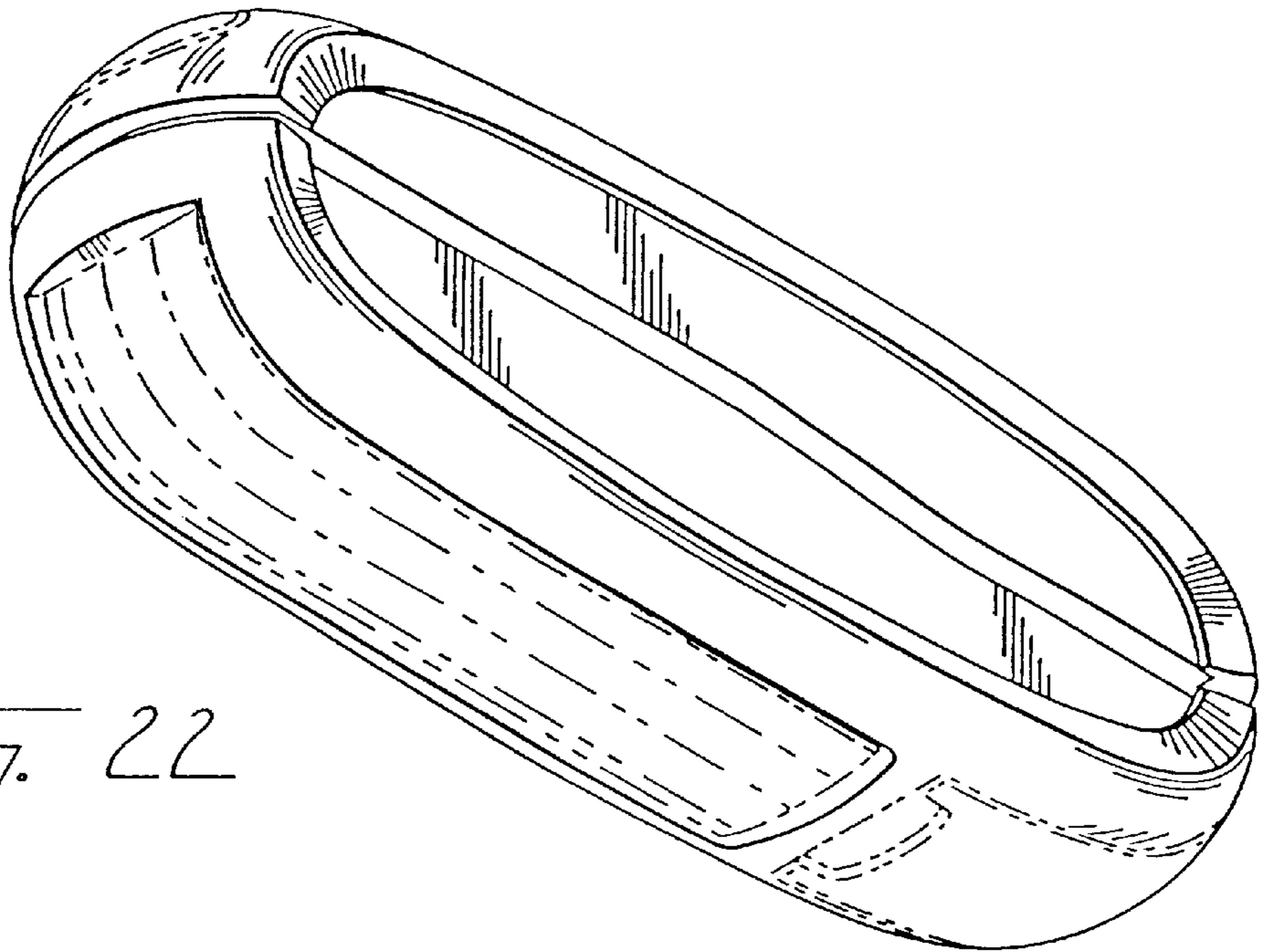
*Fig. 20*



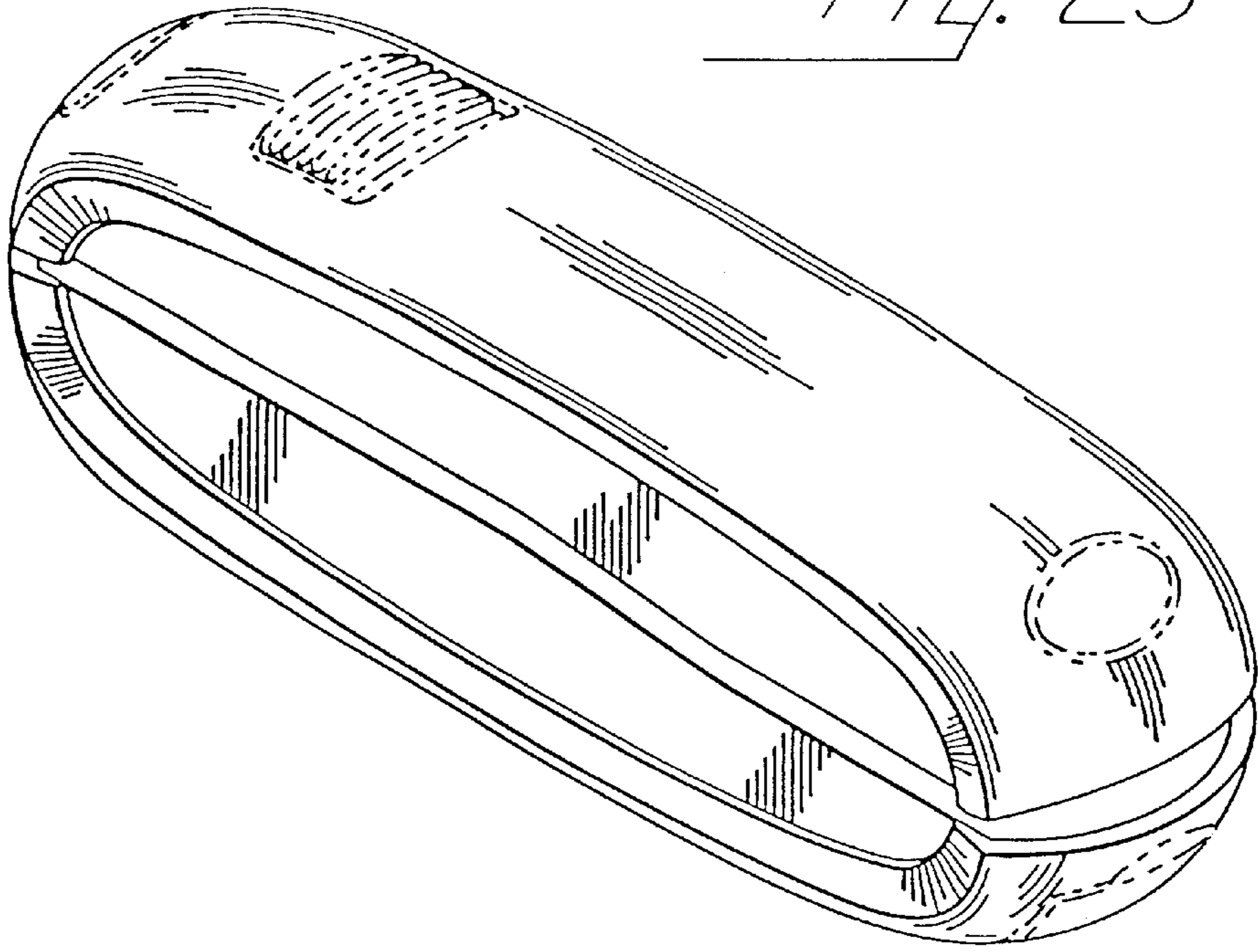
*Fig. 21*



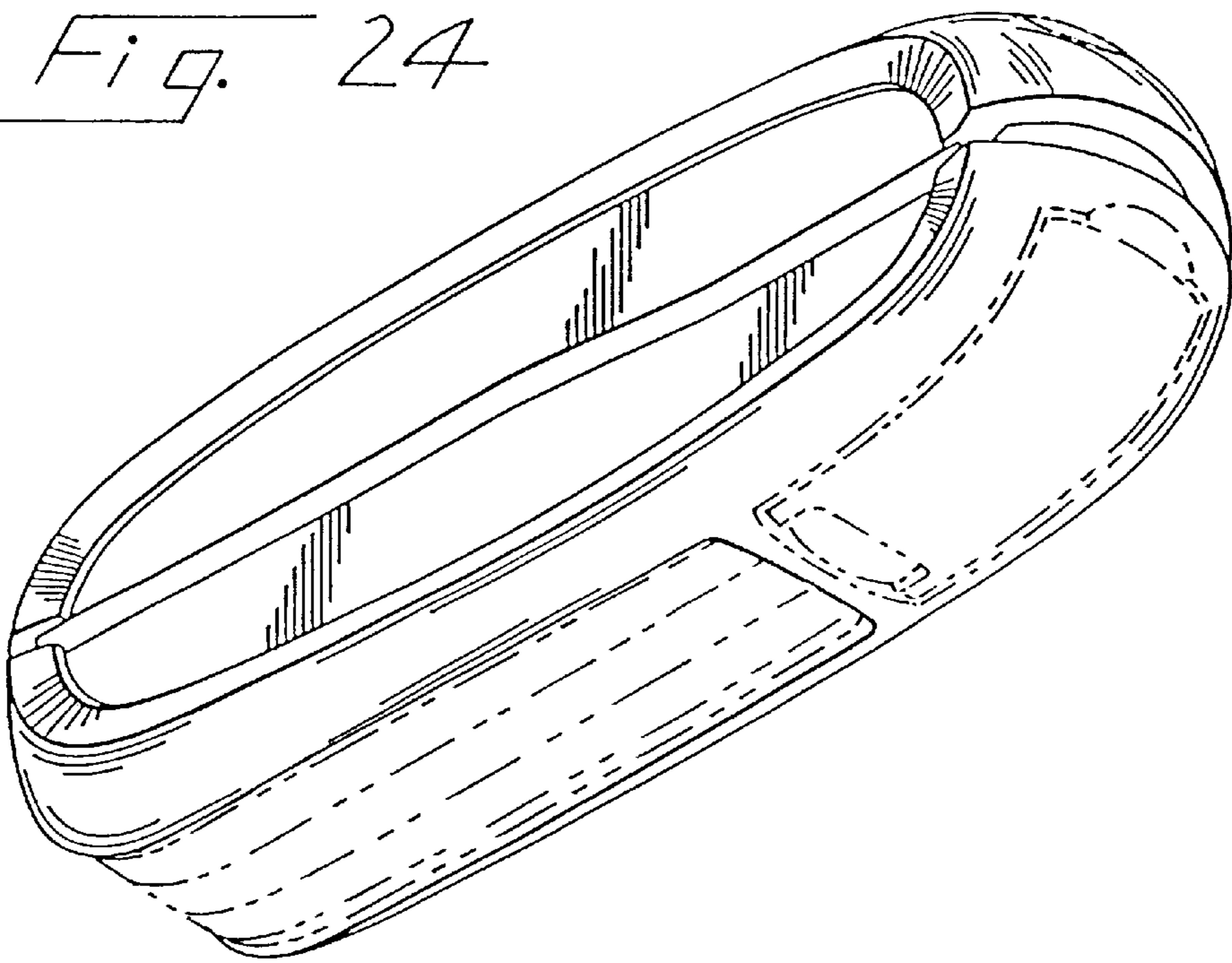
*Fig. 22*



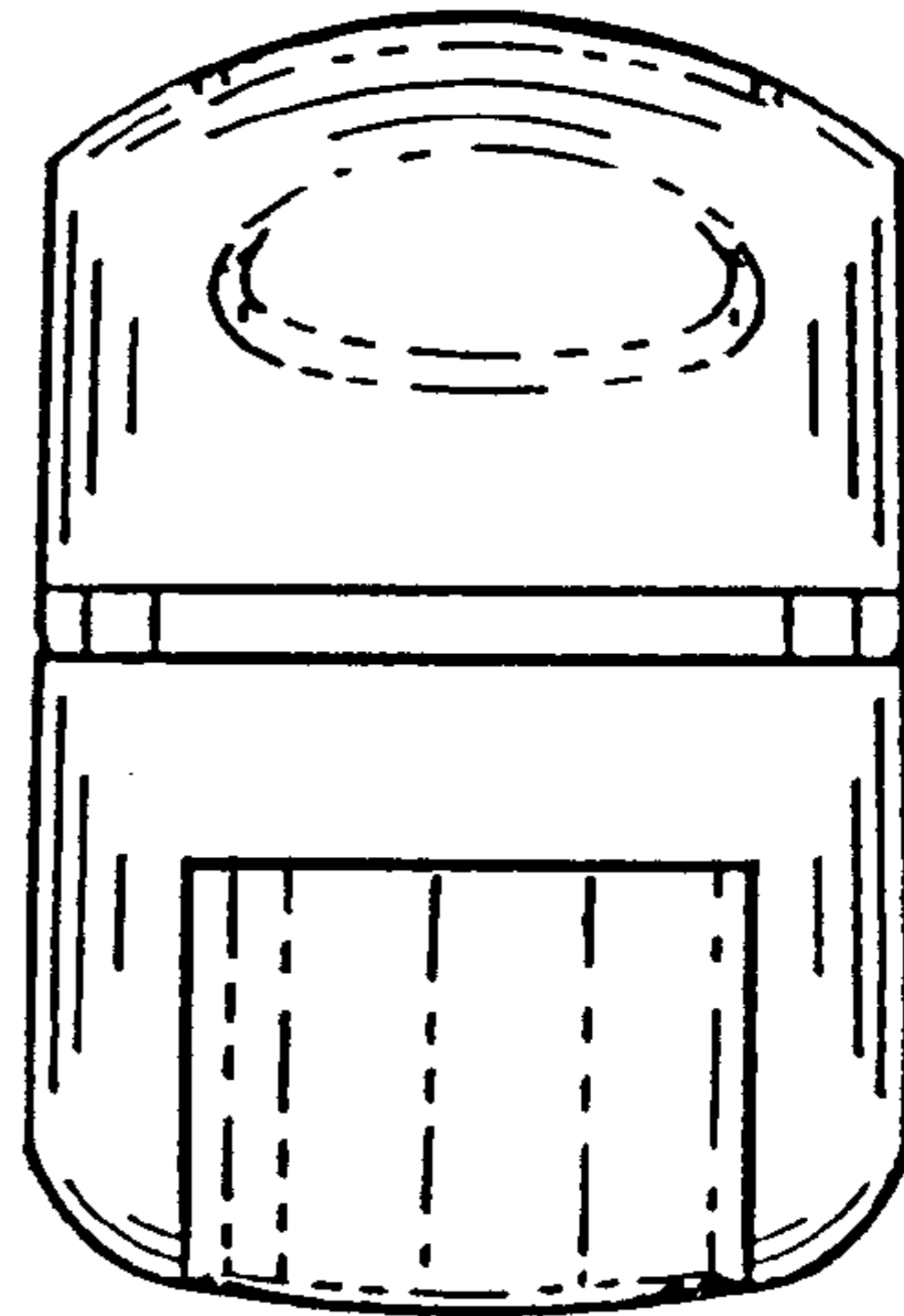
*Fig. 23*



*Fig. 24*



*Fig. 25*



*Fig. 26*

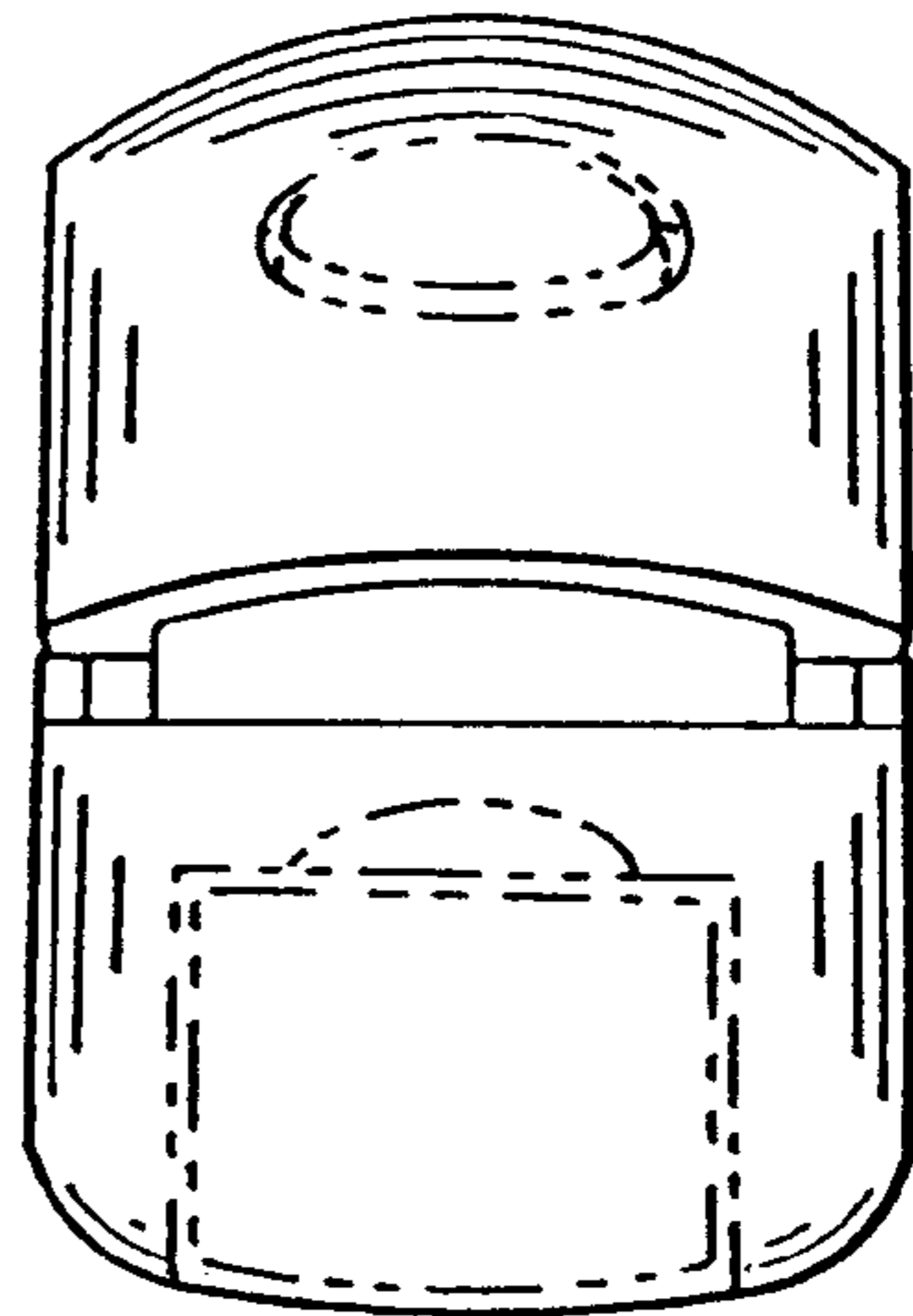


Fig. 27

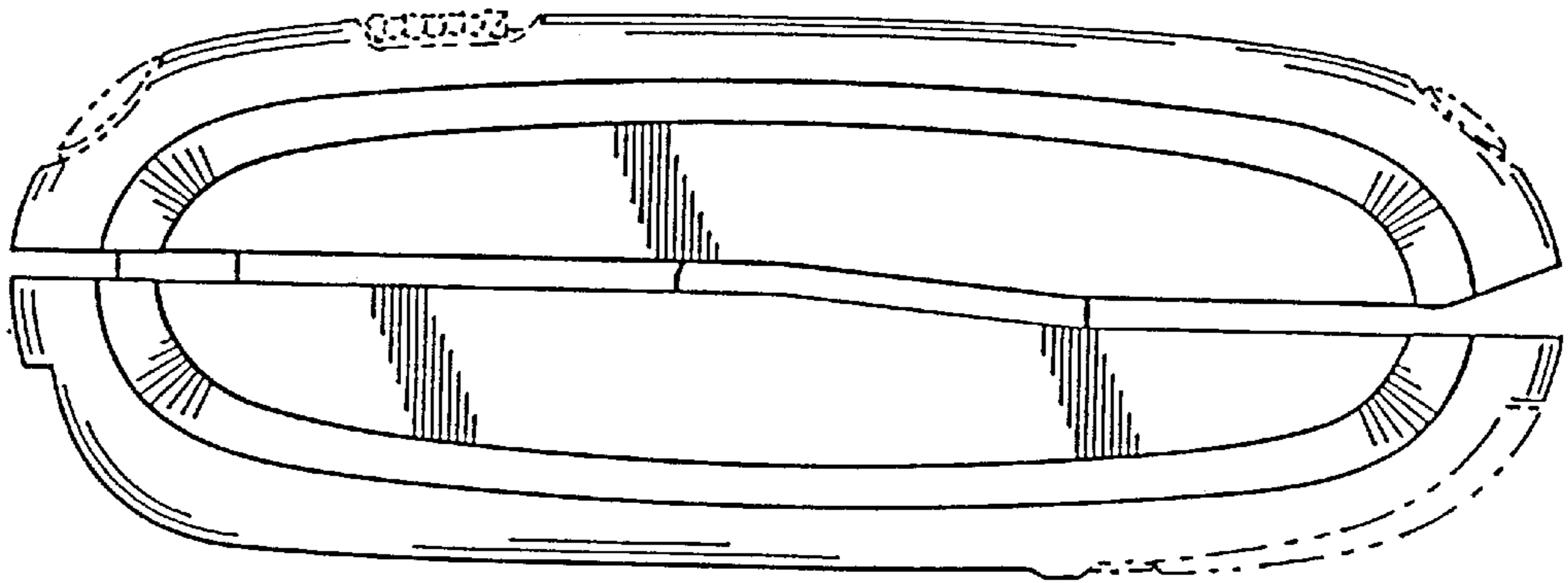
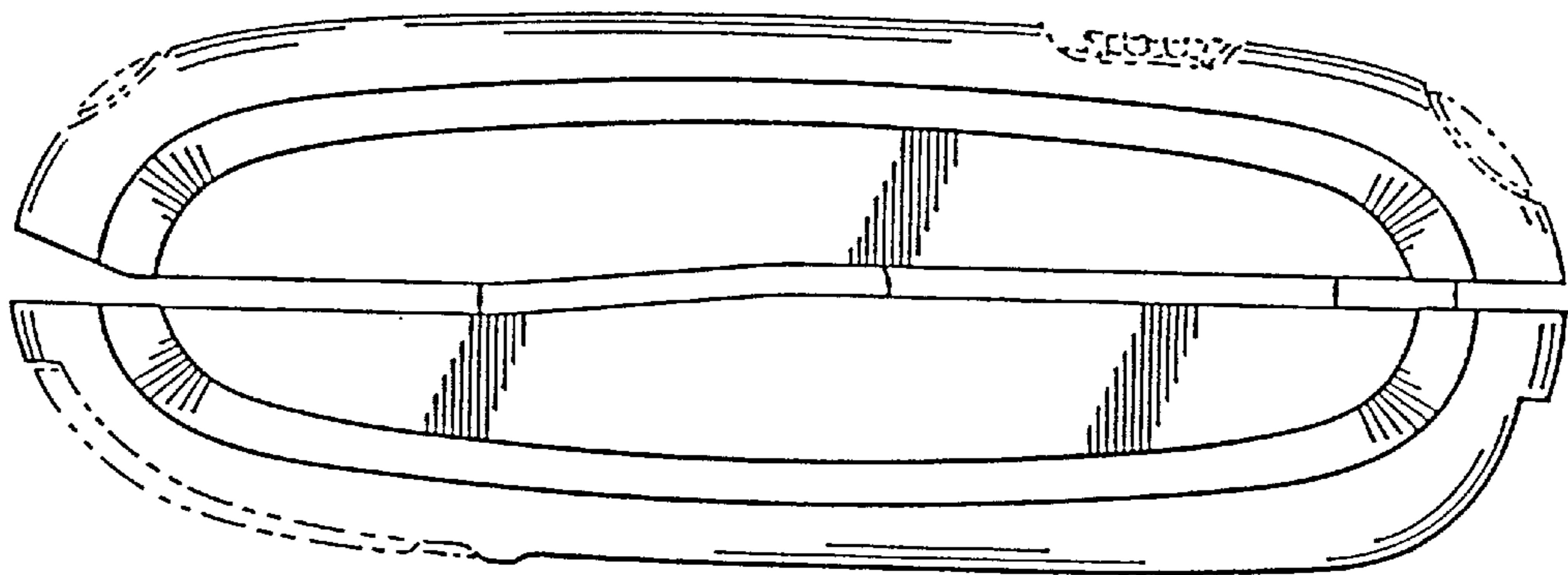
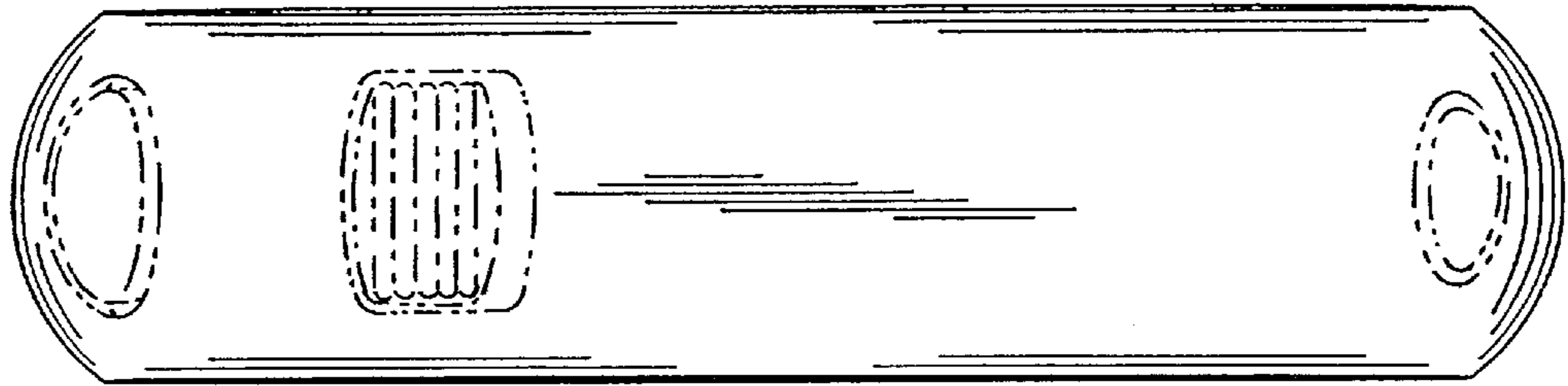


Fig. 28

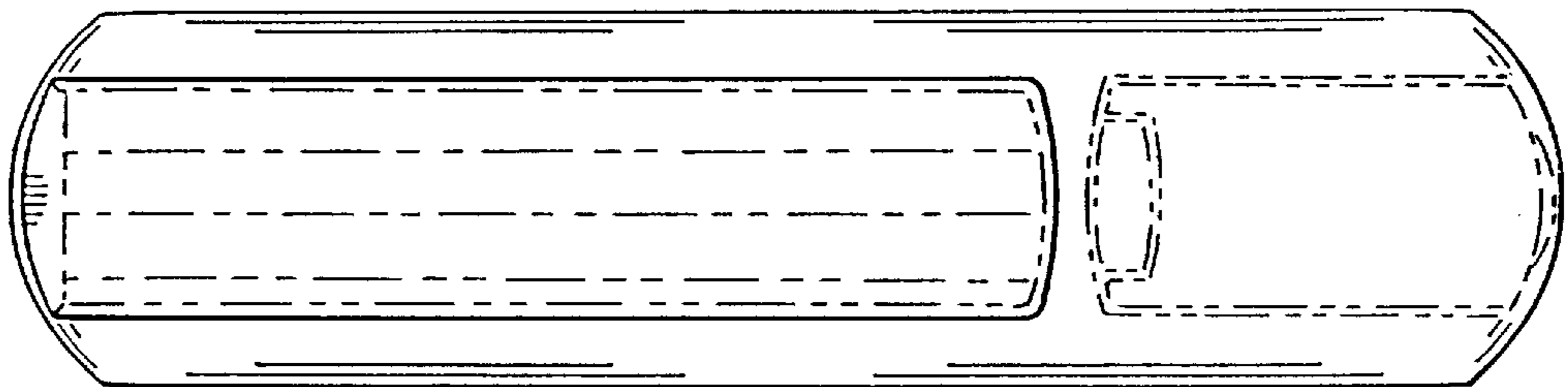




*Fig. 29*



*Fig. 30*



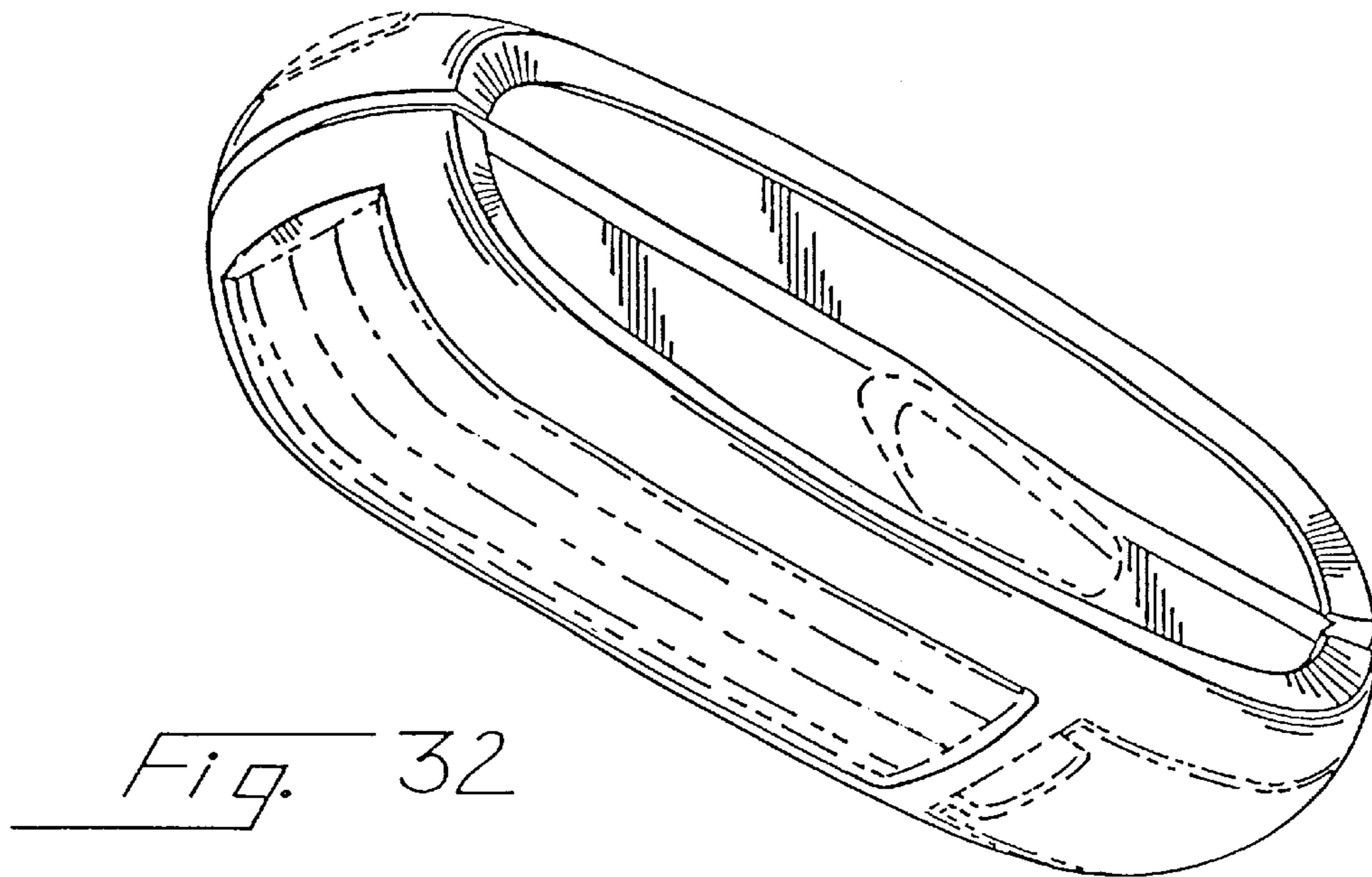
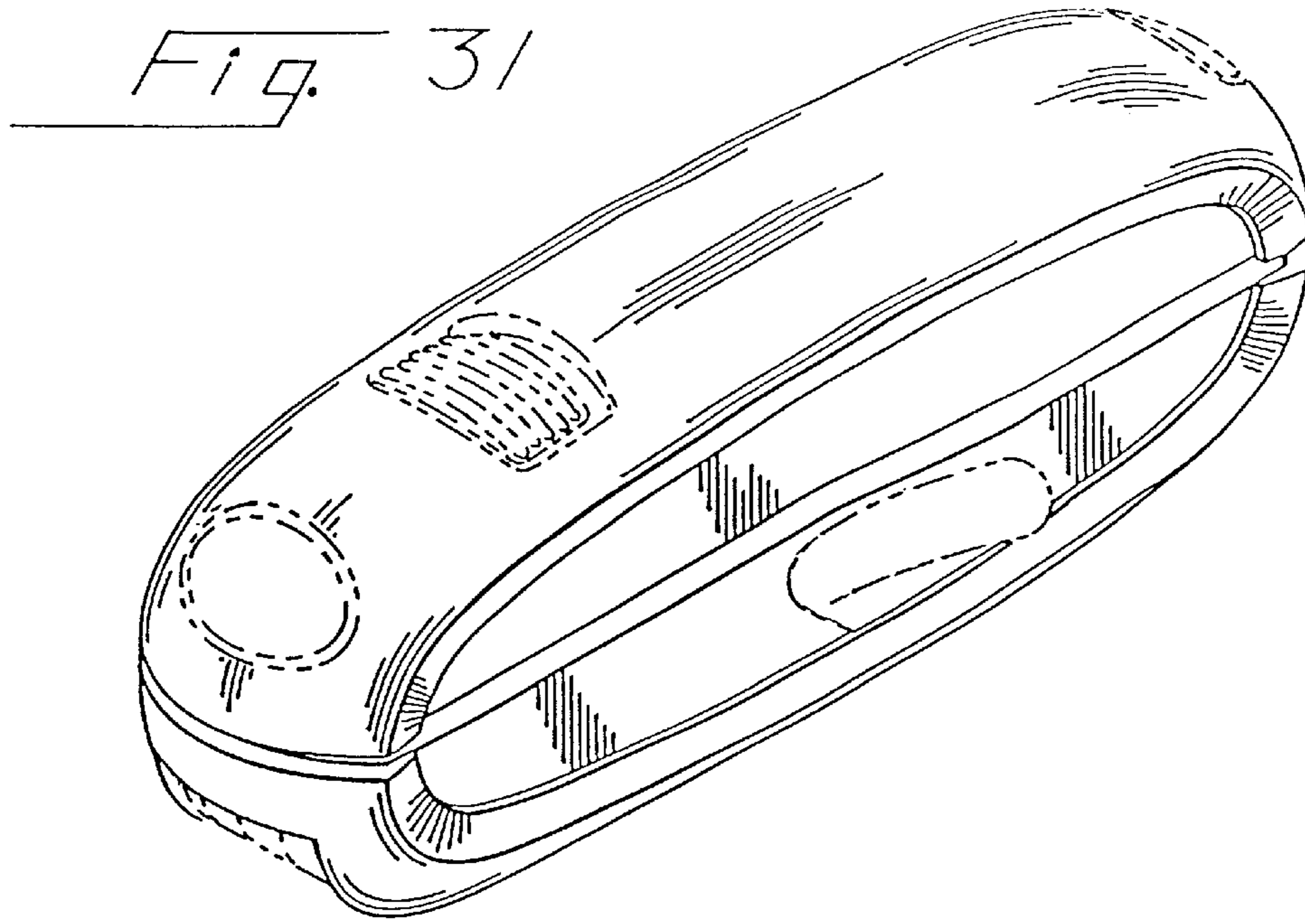


Fig. 33

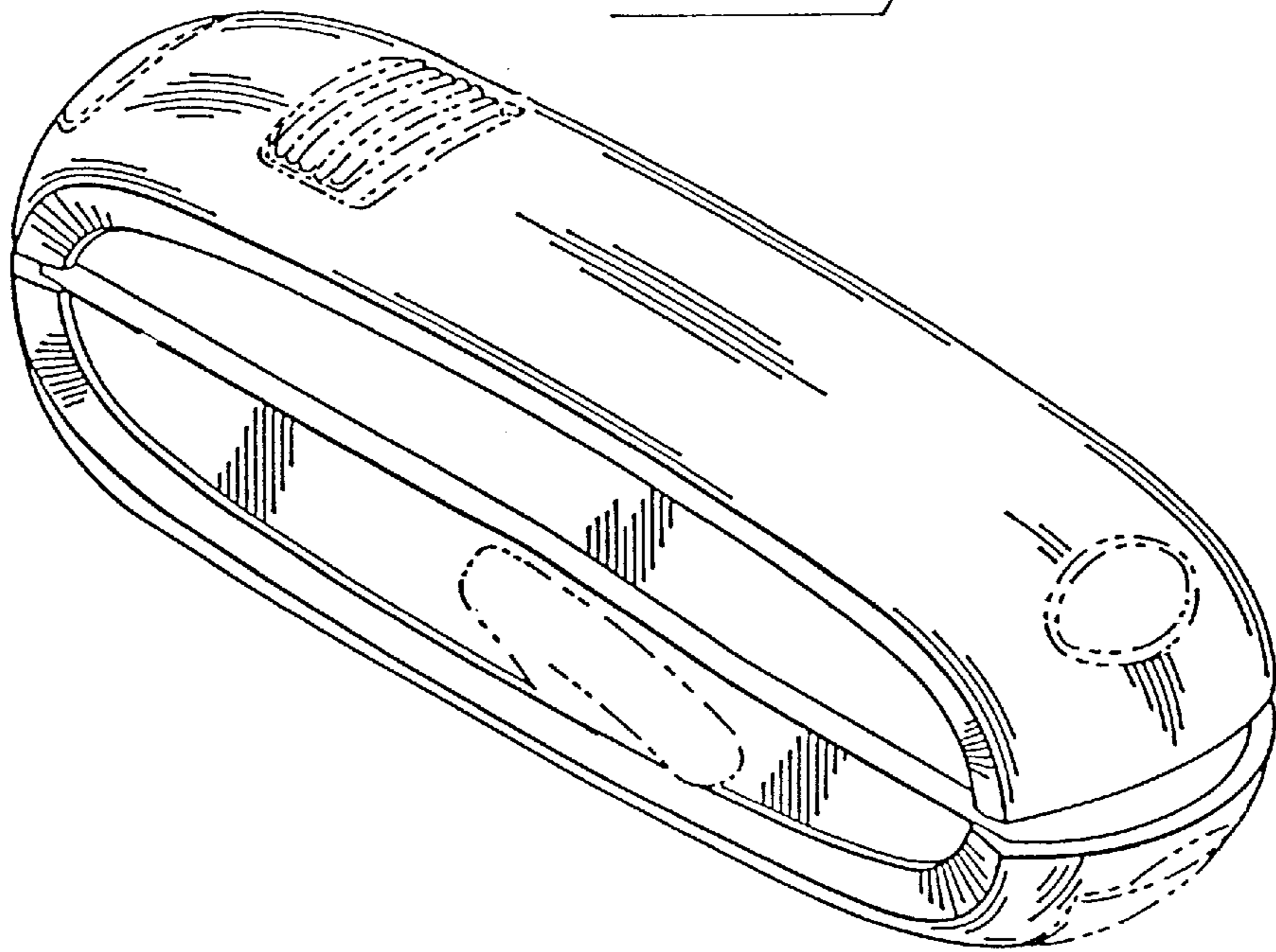
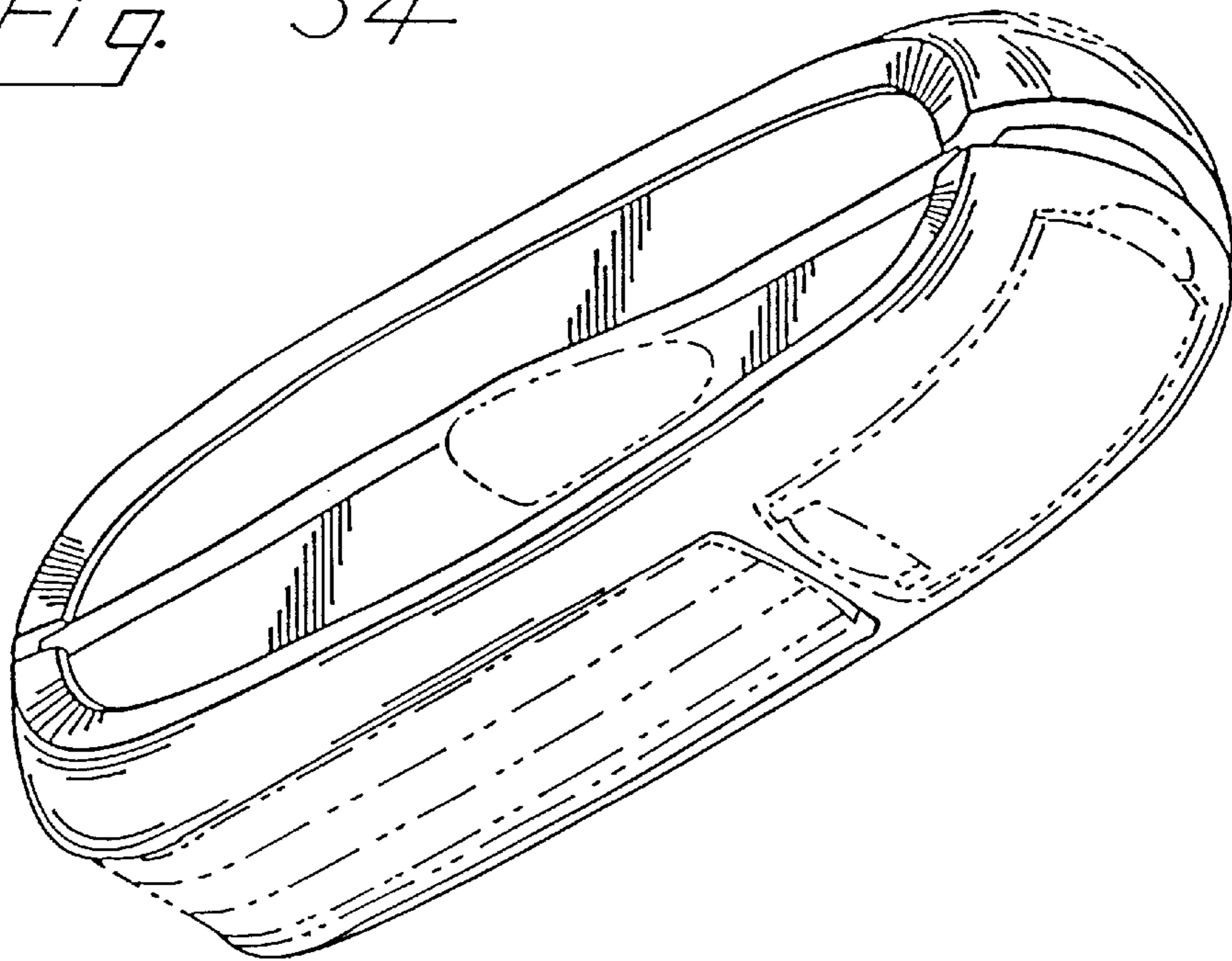
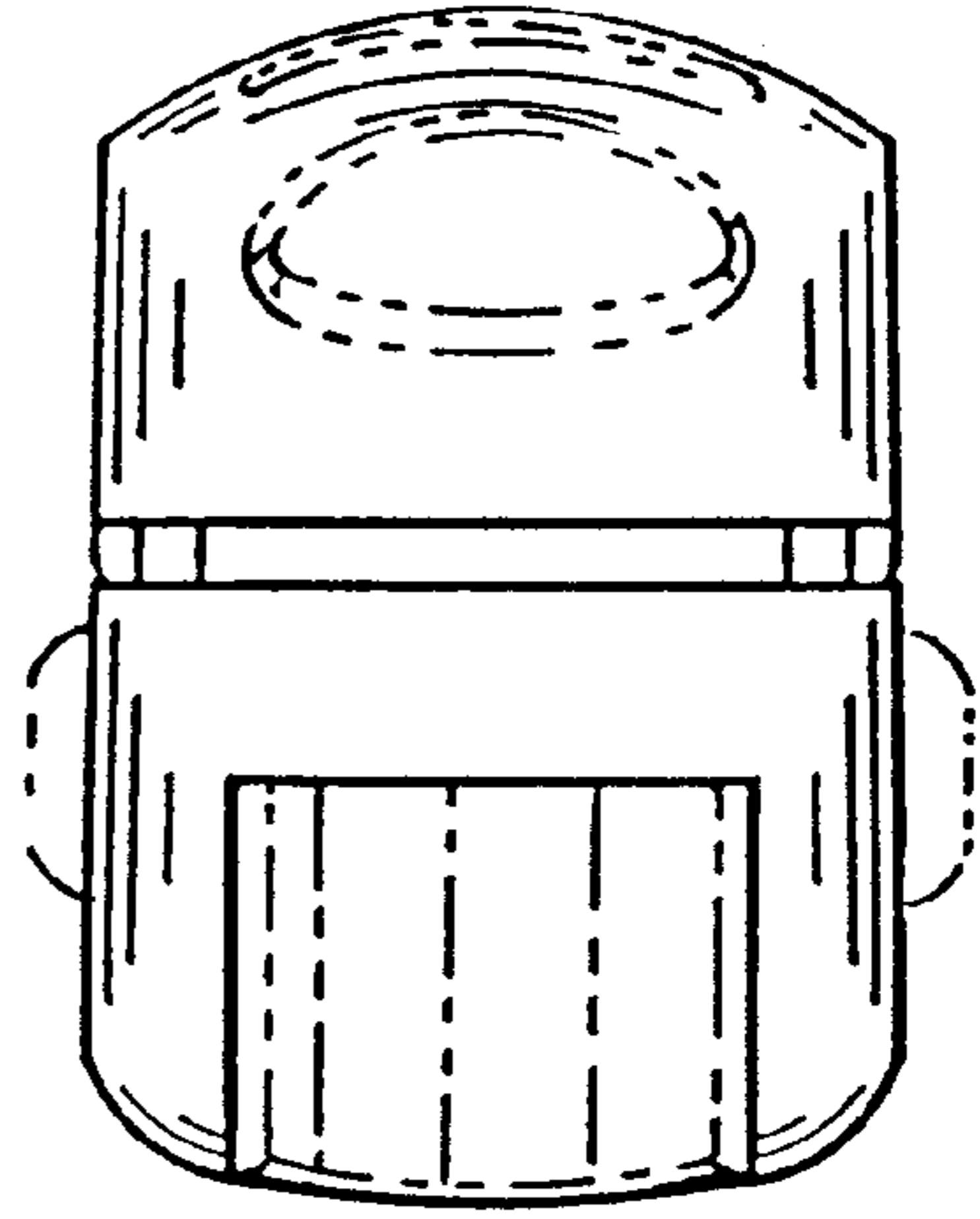


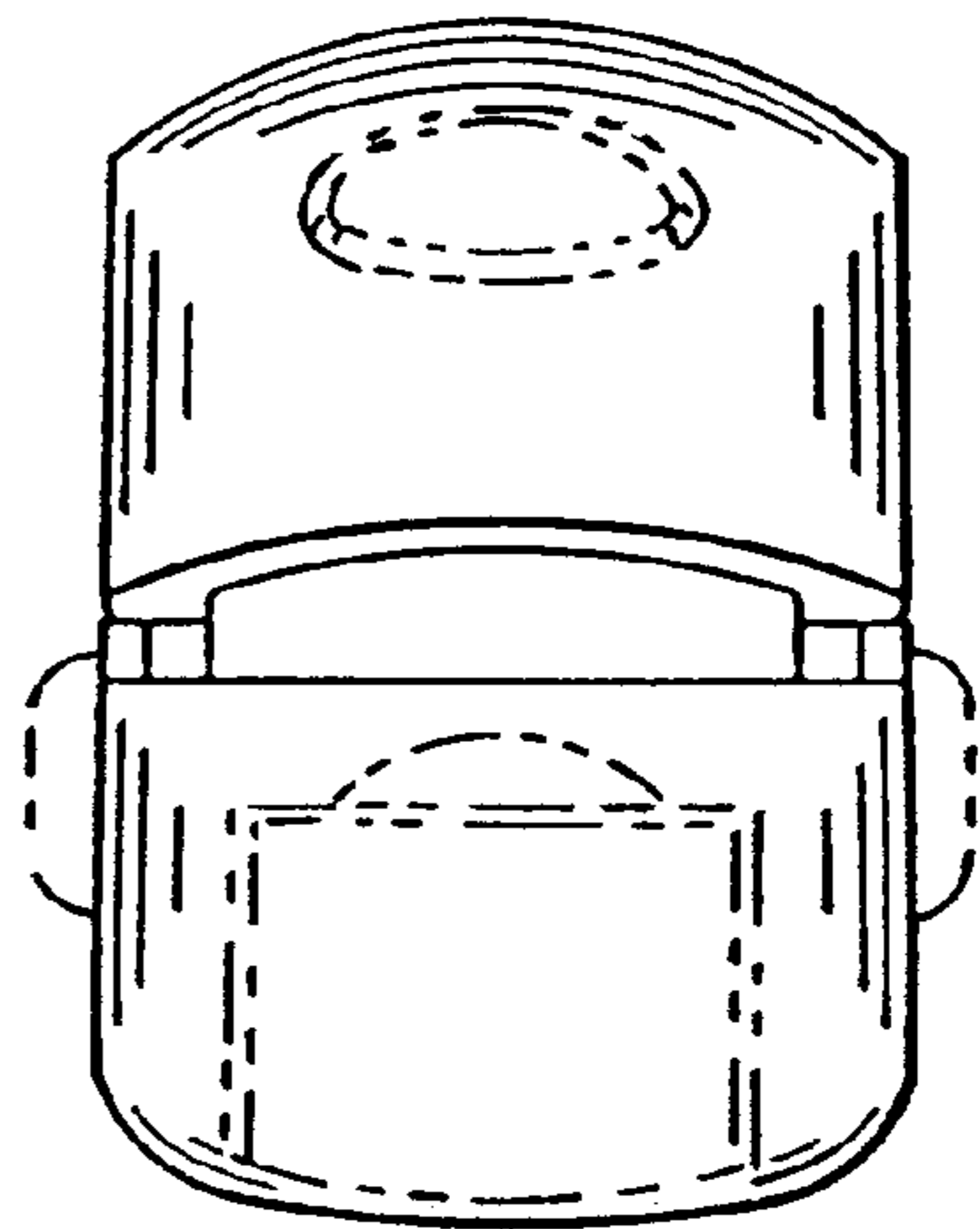
Fig. 34



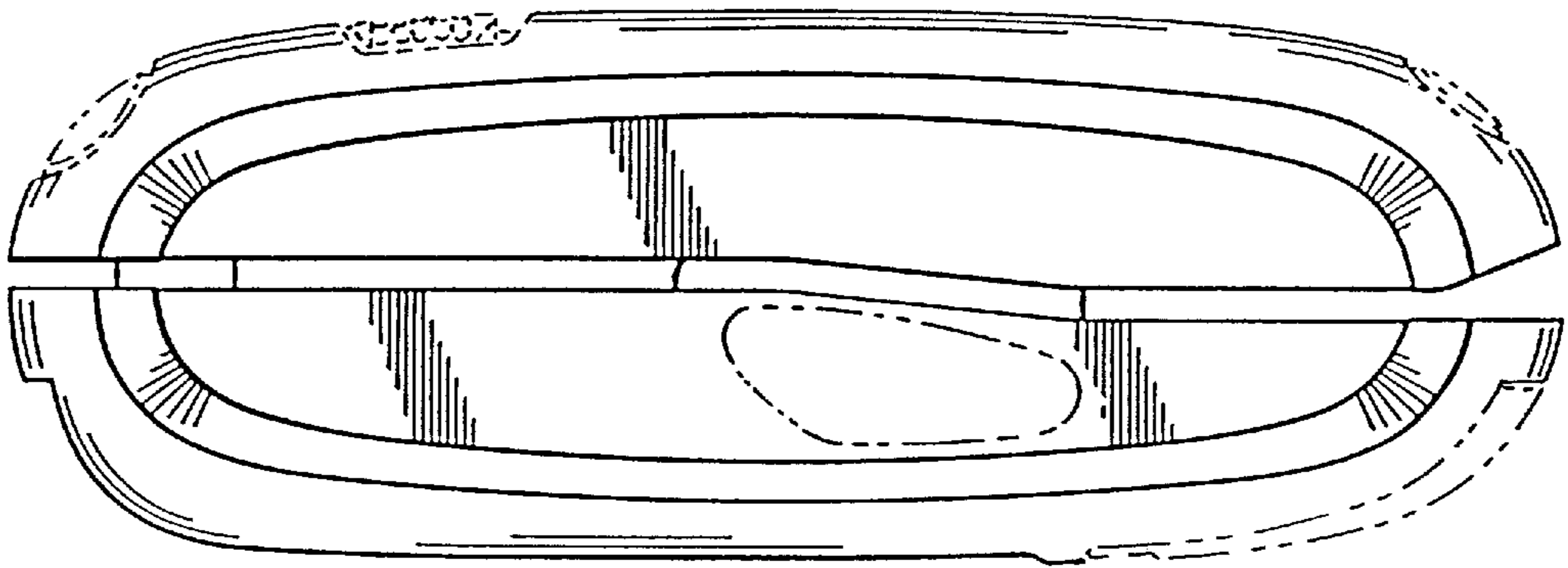
*Fig. 35*



*Fig. 36*



*Fig. 37*



*Fig. 38*

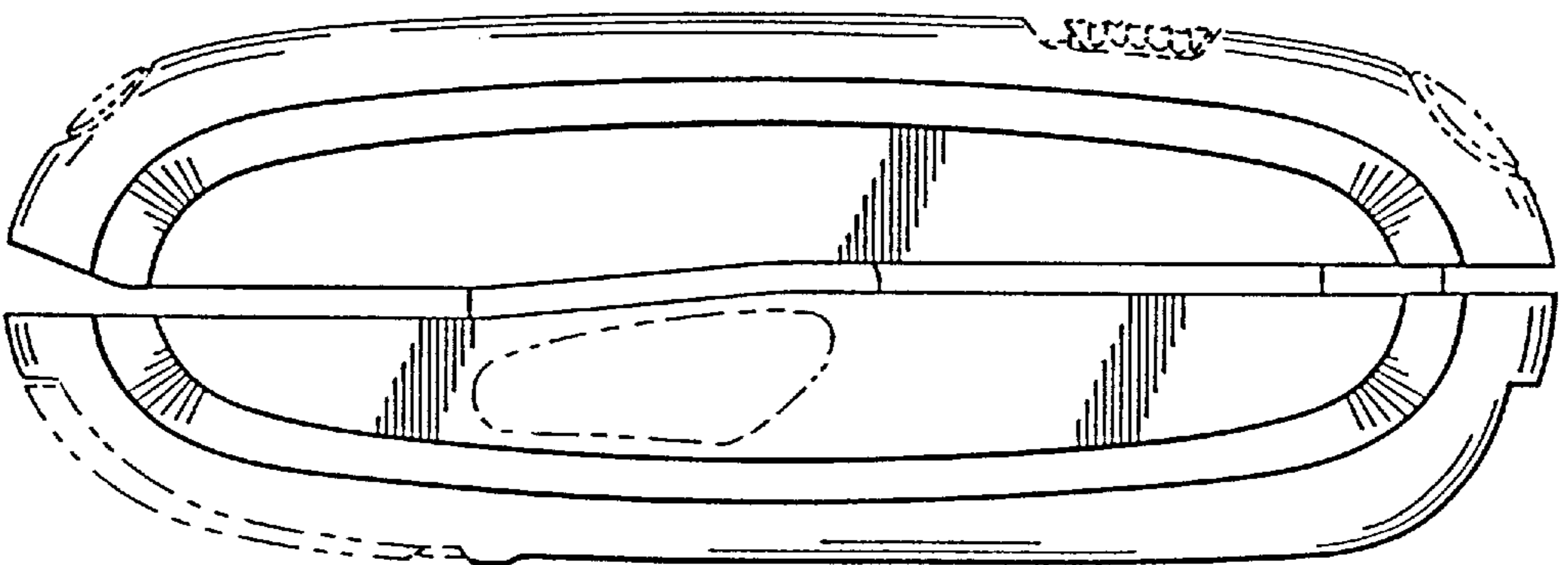


Fig. 39

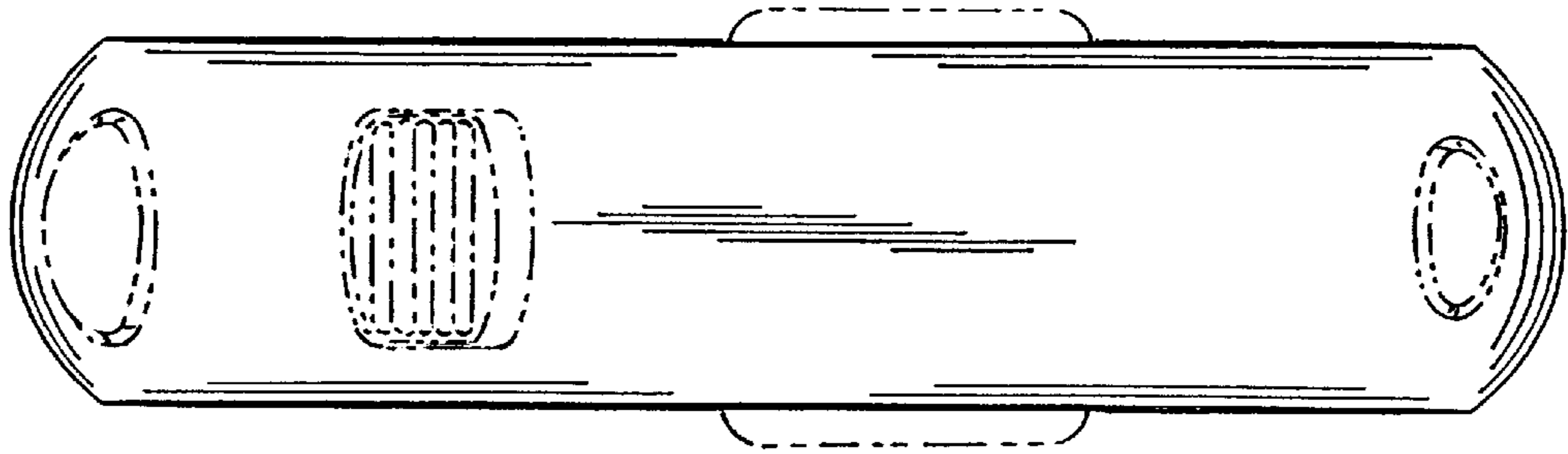
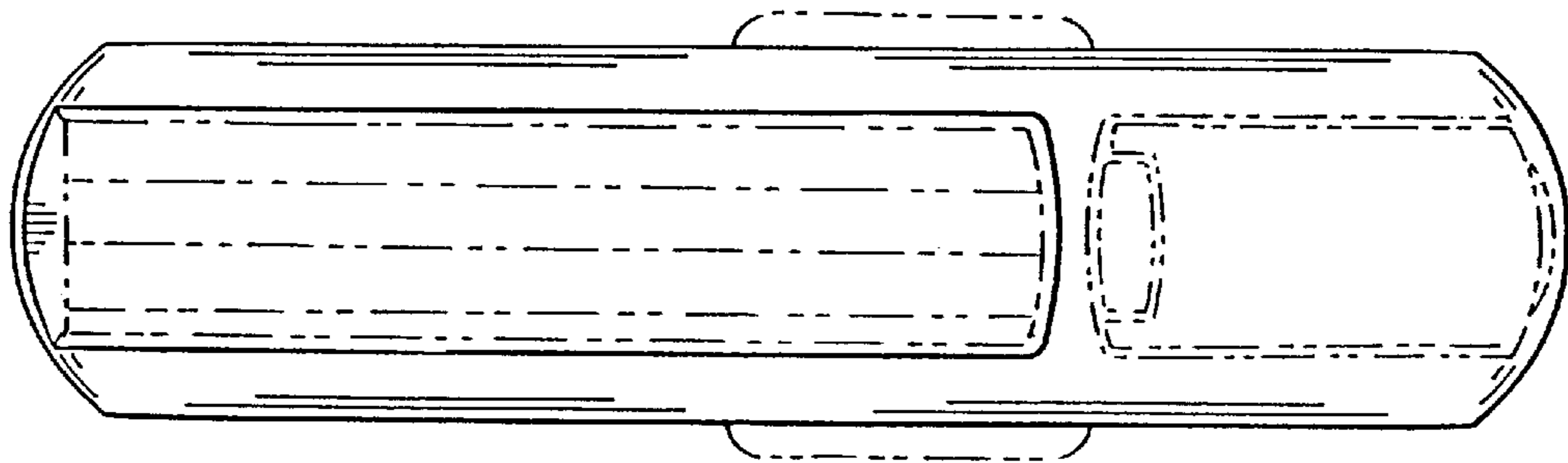


Fig. 40



UNITED STATES PATENT AND TRADEMARK OFFICE  
**CERTIFICATE OF CORRECTION**

PATENT NO. : Des. 464,679 S  
DATED : October 22, 2002  
INVENTOR(S) : Hanspeter Leins

Page 1 of 1

It is certified that error appears in the above-identified patent and that said Letters Patent is hereby corrected as shown below:

Title page,

Item [56], OTHER PUBLICATIONS, delete "Armu" and substitute -- Army -- in its place.

Signed and Sealed this

Twenty-second Day of April, 2003

A handwritten signature in black ink, appearing to read "James E. Rogan", with a thick horizontal line drawn underneath it.

JAMES E. ROGAN  
*Director of the United States Patent and Trademark Office*