



US00D464674S

(12) **United States Design Patent**  
**deHaseth**

(10) **Patent No.:** **US D464,674 S**

(45) **Date of Patent:** **\*\* Oct. 22, 2002**

(54) **BALLOON PEN**

(76) Inventor: **John deHaseth**, 6734 Bright Ave.,  
Whittier, CA (US) 90601

(\*\*) Term: **14 Years**

(21) Appl. No.: **29/156,003**

(22) Filed: **Feb. 20, 2002**

(51) **LOC (7) Cl.** ..... **19-06**

(52) **U.S. Cl.** ..... **D19/36; D19/42; D19/46;**  
**D19/43; D21/440**

(58) **Field of Search** ..... **D21/439, 440;**  
**D19/35, 36, 41-51, 53-58, 81-85; 40/334,**  
**335; 401/52, 195, 98, 202, 213, 243-247,**  
**262, 185**

(56) **References Cited**

**U.S. PATENT DOCUMENTS**

262,517	A	*	8/1882	Unz et al.	.....	D21/440	X
1,307,195	A	*	6/1919	Gardner	.....	401/185	
1,527,046	A	*	2/1925	Ingram	.....	D21/440	X
D298,809	S	*	12/1988	Davis	.....	D11/117	
D303,810	S	*	10/1989	Benken	.....	D19/46	
D357,500	S	*	4/1995	Mutterperl	.....	D19/36	
D369,544	S	*	5/1996	Culliss	.....	D9/305	
D376,101	S	*	12/1996	Lippens	.....	D9/337	
D422,310	S	*	4/2000	Cohen	.....	D19/46	
D437,885	S	*	2/2001	Cohen	.....	D19/36	
D440,252	S	*	4/2001	Cohen	.....	D19/42	
D447,172	S	*	8/2001	Cohen	.....	D19/42	
D458,649	S	*	6/2002	Perry et al.	.....	D21/440	

\* cited by examiner

*Primary Examiner*—Martie K. Holtje

(74) *Attorney, Agent, or Firm*—Harvey S. Hertz

(57) **CLAIM**

The ornamental design for a balloon pen, as shown and described.

**DESCRIPTION**

FIG. 1 is a front elevational view of a balloon pen, the rear elevational view being a mirror image thereof, showing my new design;

FIG. 2 is a left side view thereof, the right side being a mirror image thereof;

FIG. 3 is a top plan view thereof;

FIG. 4 is a bottom plan view thereof;

FIG. 5 is a front elevational view of a first alternative arrangement of the balloon pen, the rear elevational view being a mirror image thereof, showing my new design;

FIG. 6 is a left side view thereof, the right side being a mirror image thereof;

FIG. 7 is a top plan view thereof;

FIG. 8 is a bottom plan view thereof;

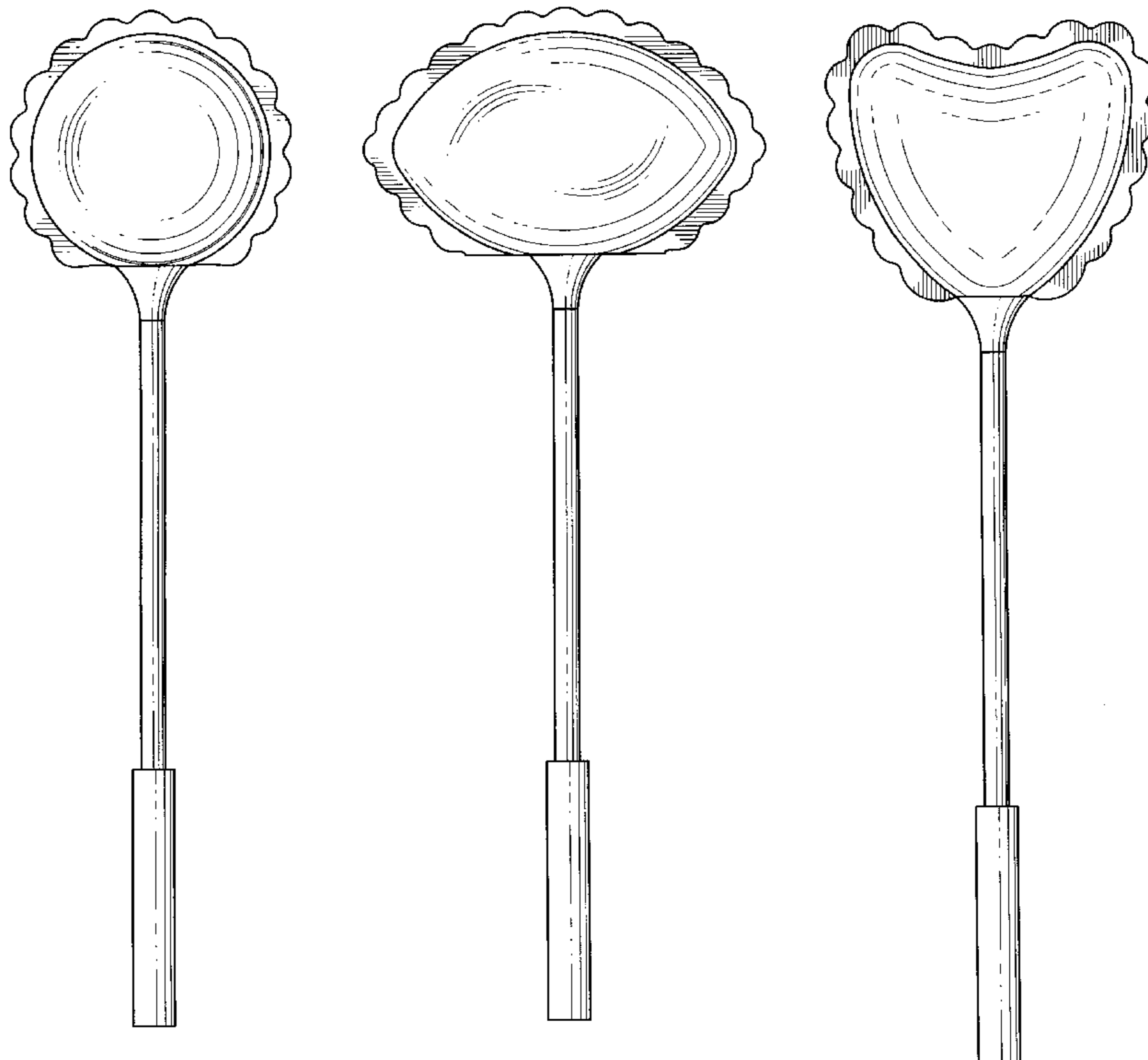
FIG. 9 is a front elevational view of a second alternative arrangement of the balloon pen, the rear elevational view being a mirror image thereof, showing my new design;

FIG. 10 is a left side view thereof, the right side being a mirror image thereof;

FIG. 11 is a top plan view thereof; and,

FIG. 12 is a bottom plan view thereof.

**1 Claim, 3 Drawing Sheets**



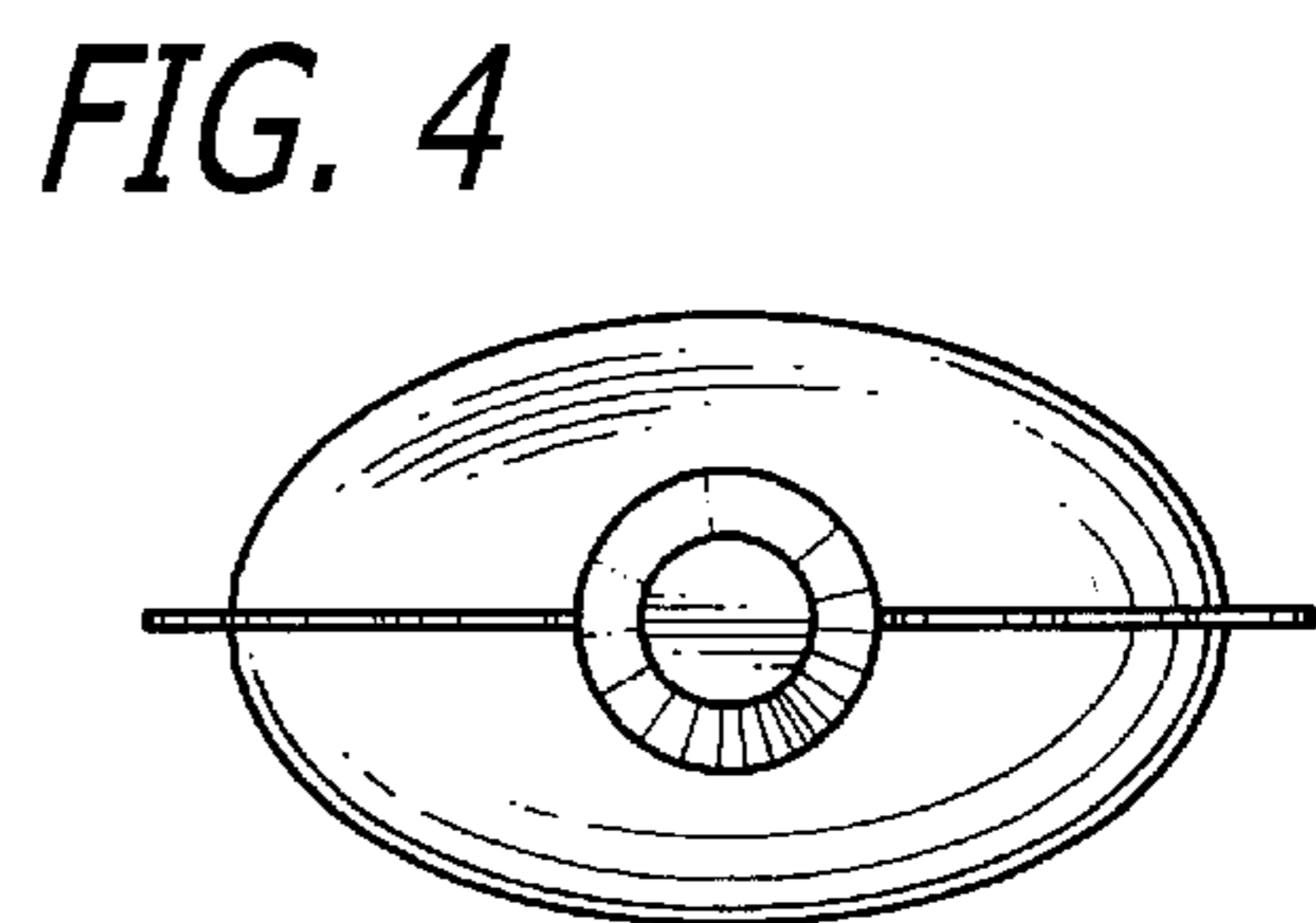
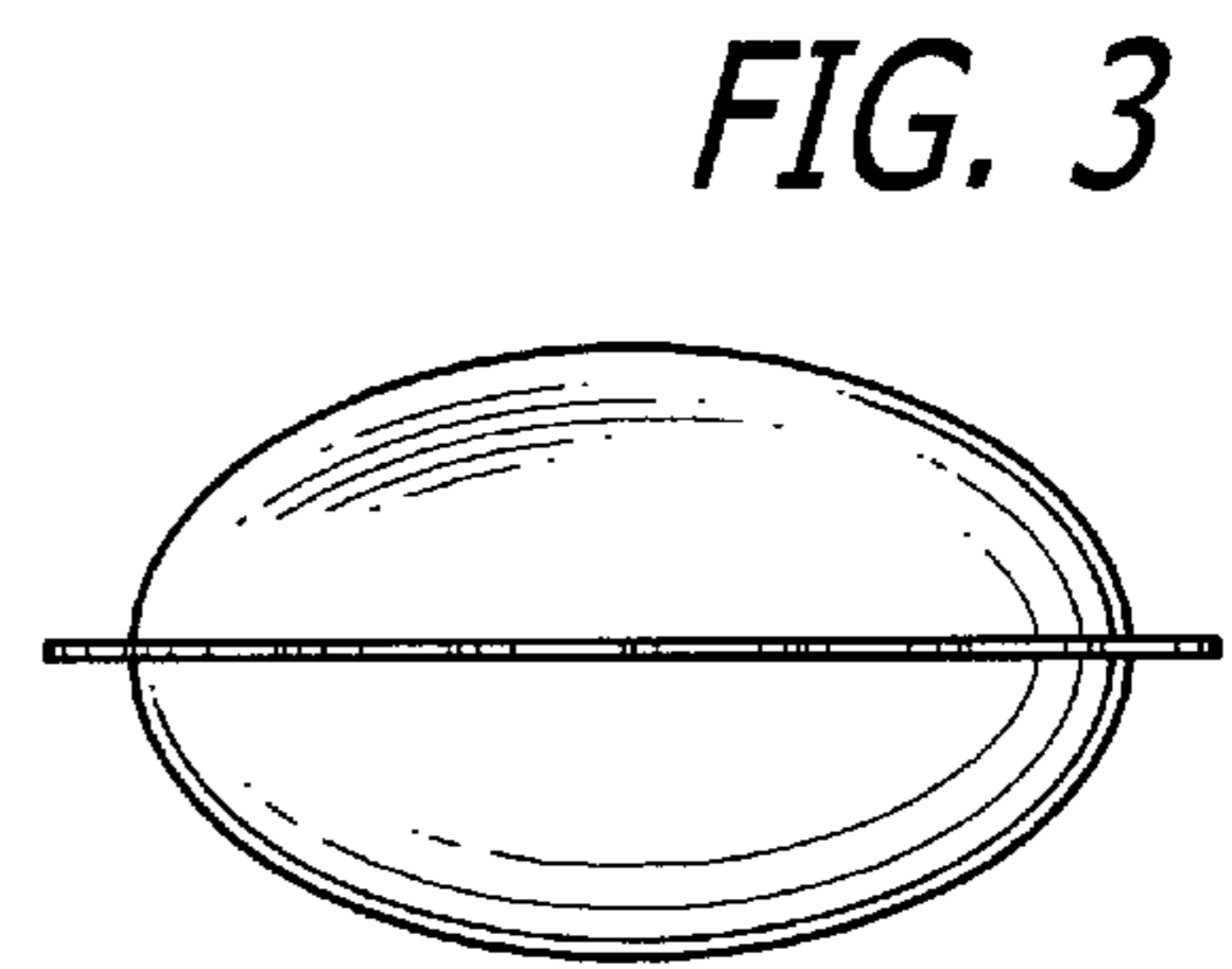
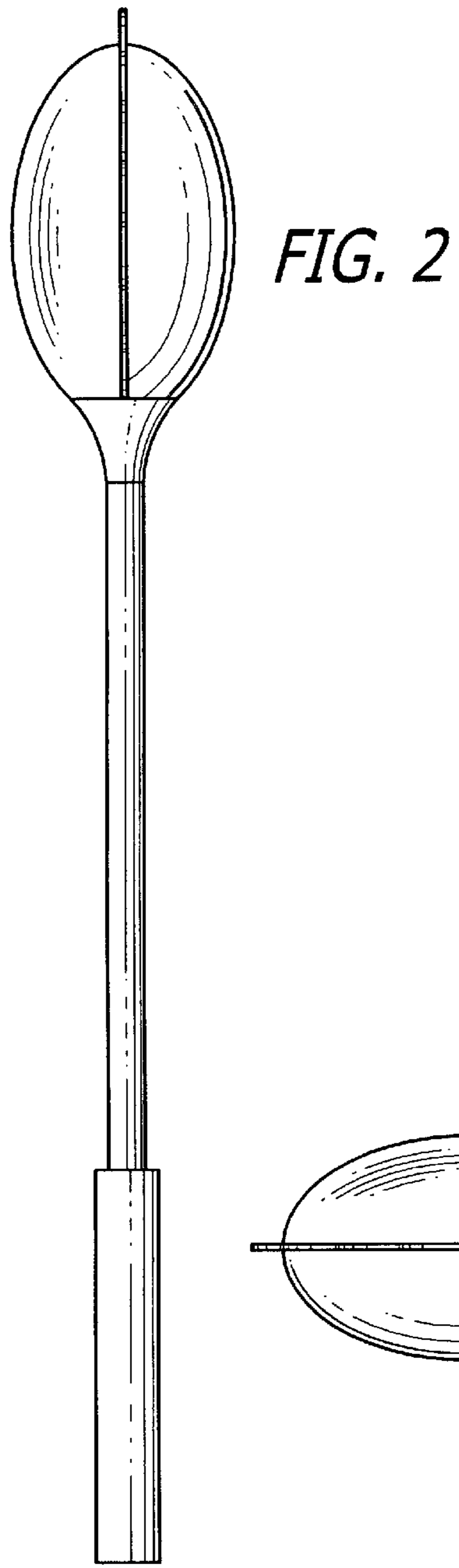
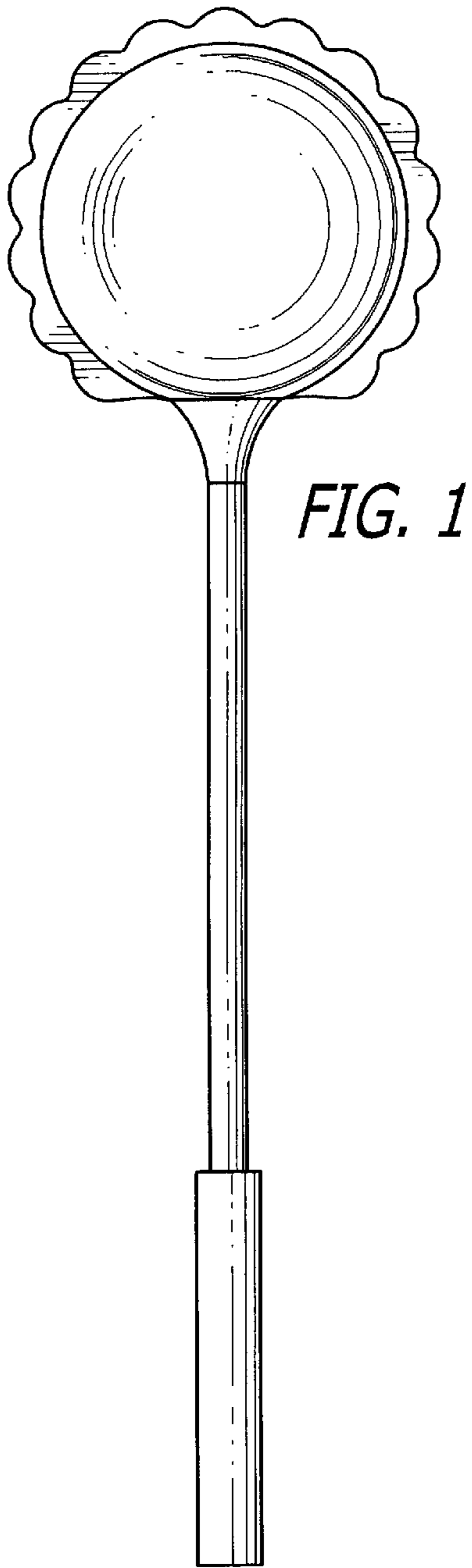


FIG. 7

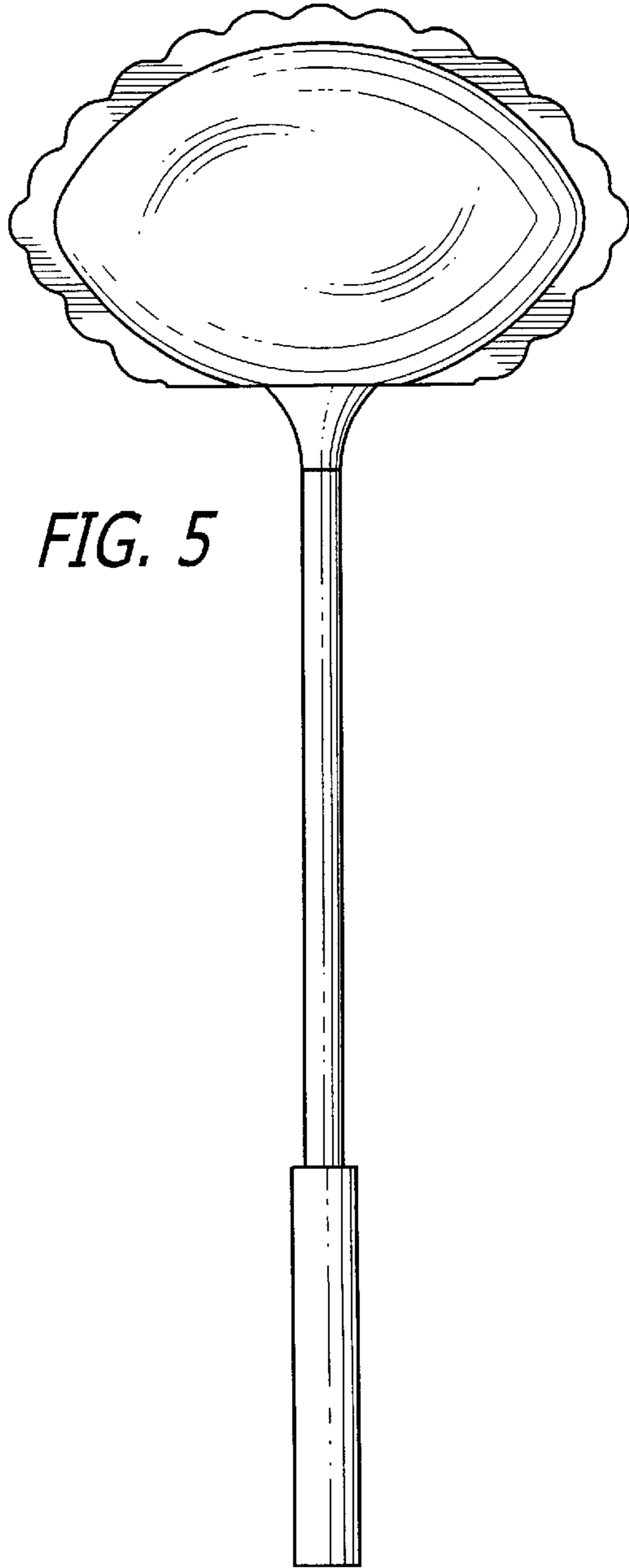
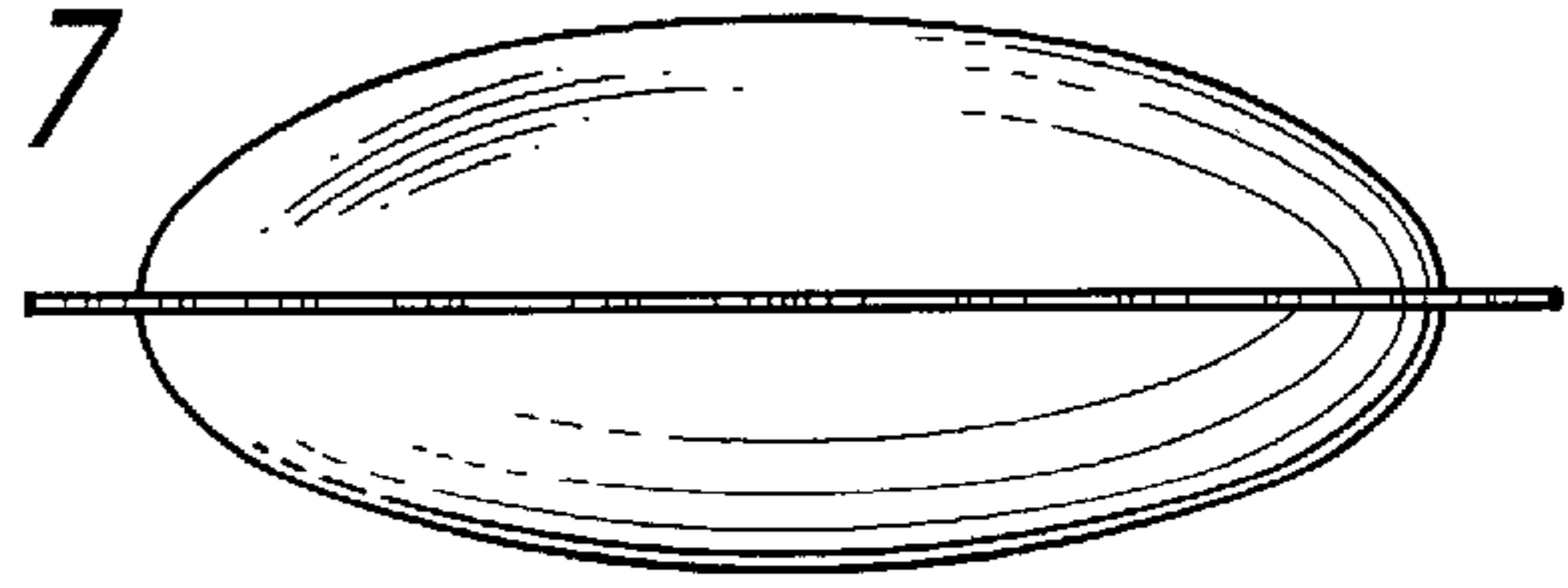


FIG. 5

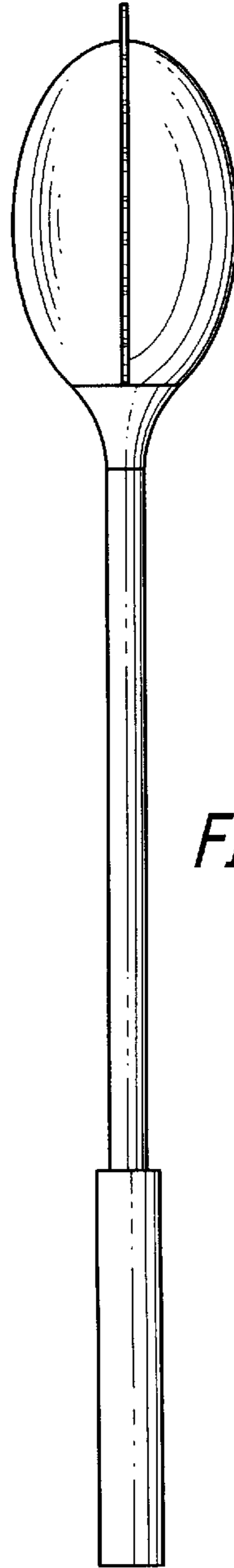


FIG. 6

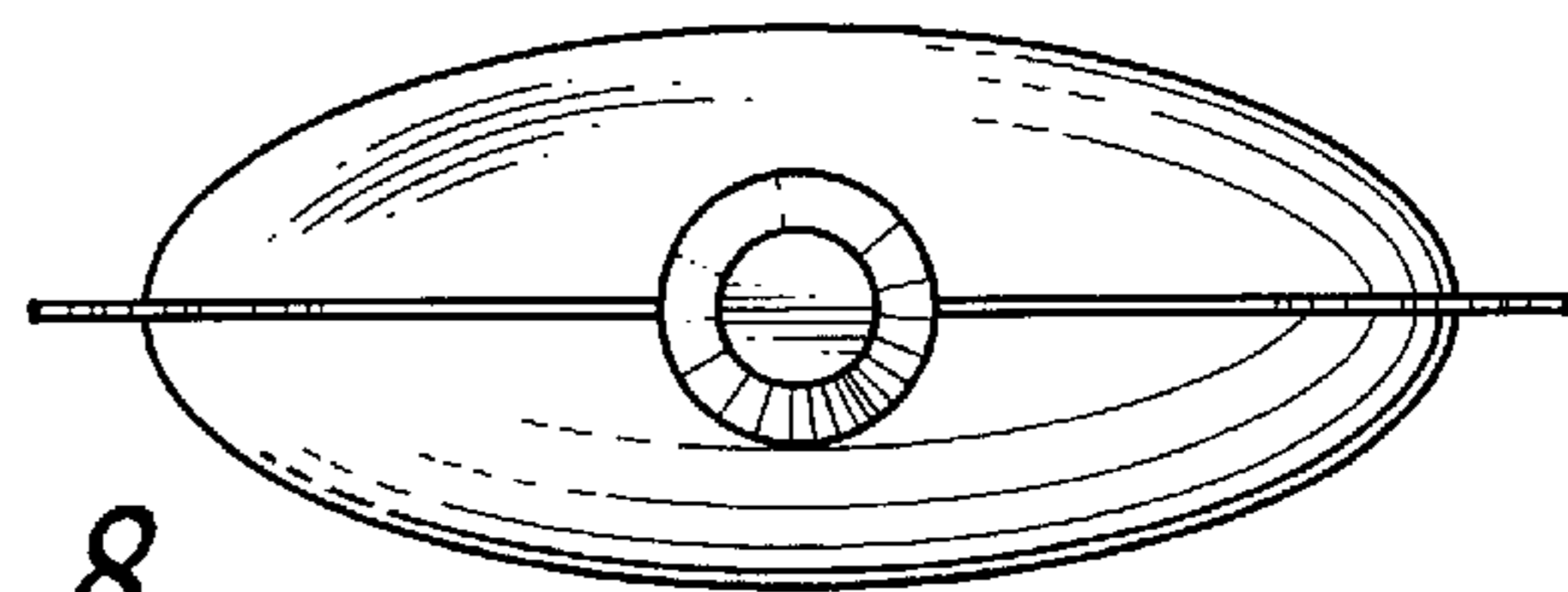


FIG. 8

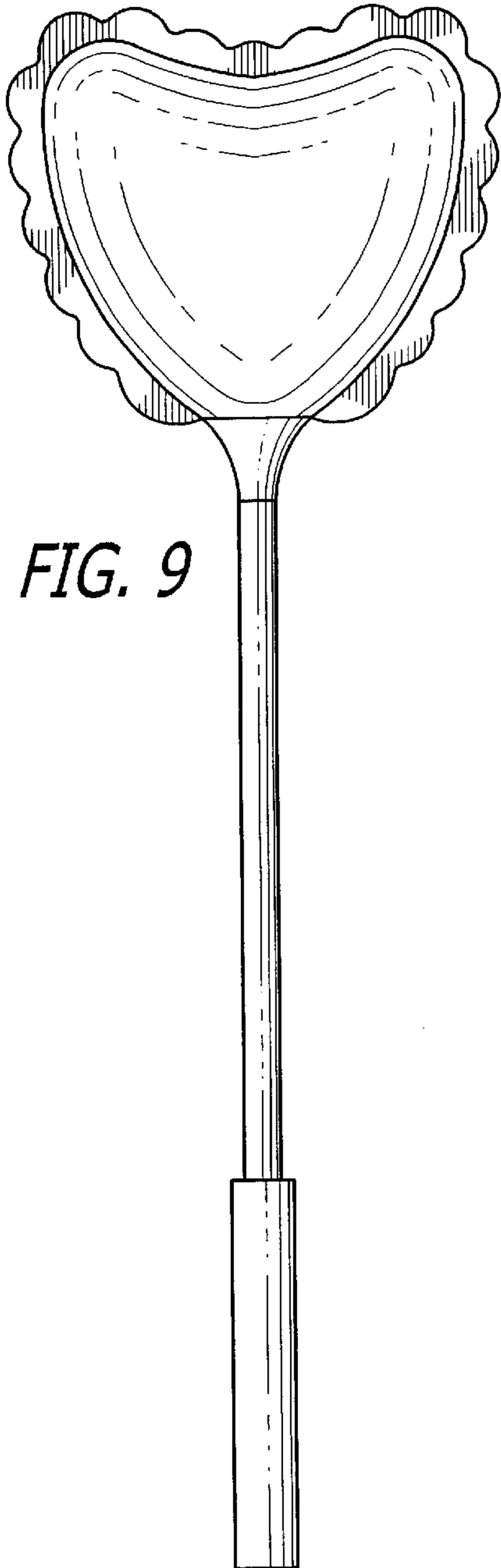


FIG. 9

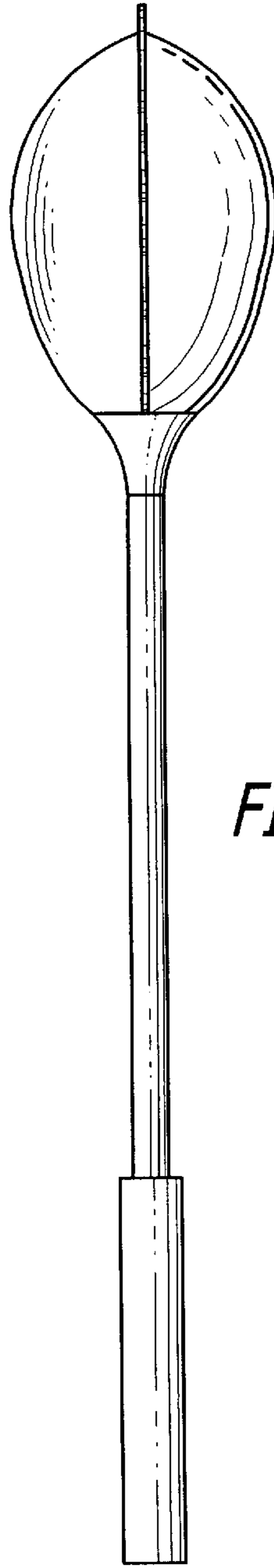


FIG. 10

FIG. 11

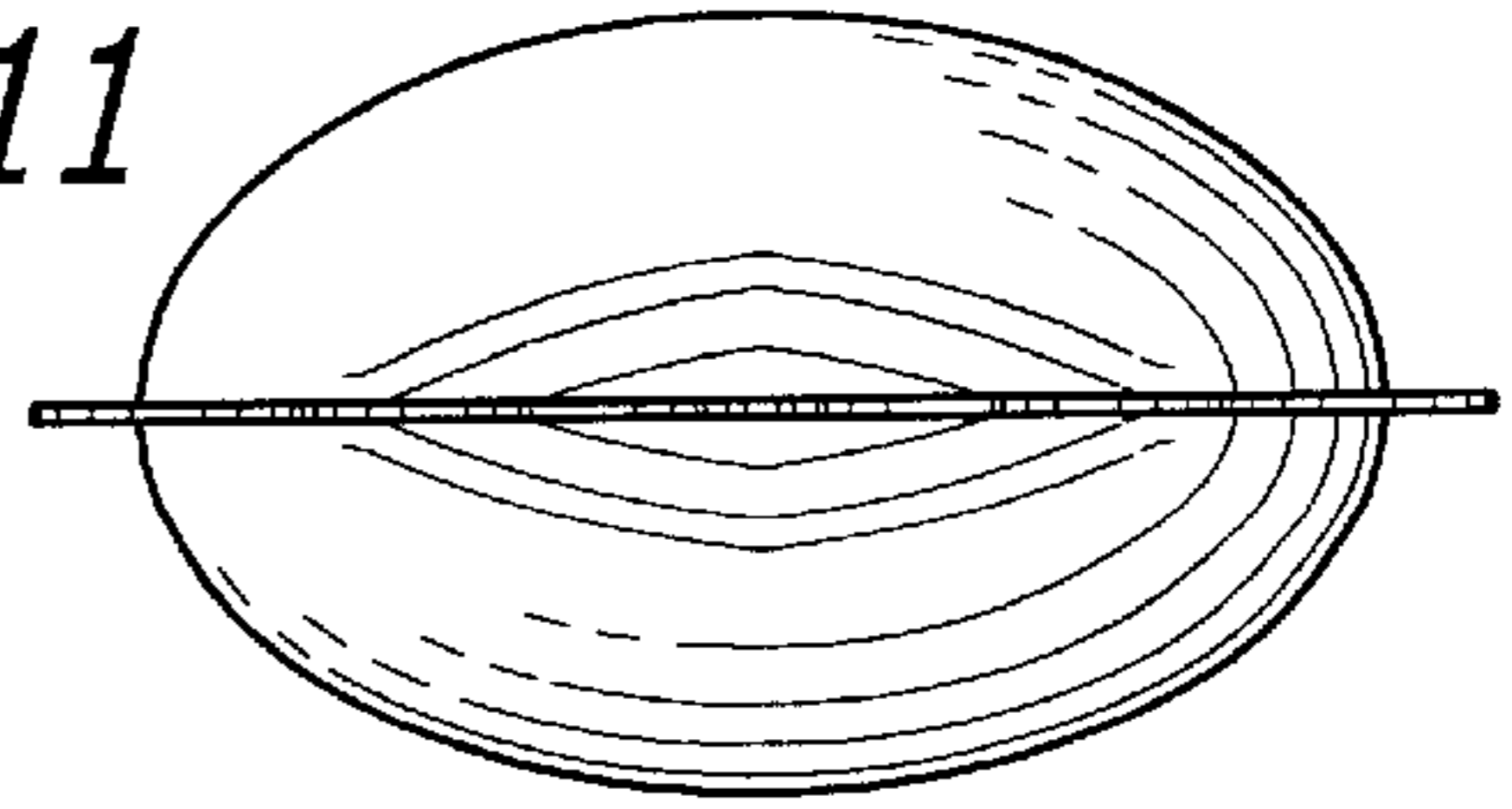


FIG. 12

