



US00D464673S

(12) **United States Design Patent**
Robinson, Sr.

(10) **Patent No.:** **US D464,673 S**

(45) **Date of Patent:** **** Oct. 22, 2002**

(54) **COMBINED MANUALLY OPERATED DAILY CALENDAR, WEEK COUNTER, AND QUOTE DISPLAYING APPARATUS**

(76) **Inventor:** **James Hugh Robinson, Sr.**, P.O. Box 813, Lexington, SC (US) 29073

(**) **Term:** **14 Years**

(21) **Appl. No.:** **29/125,501**

(22) **Filed:** **Jun. 26, 2000**

(51) **LOC (7) Cl.** **19-03**

(52) **U.S. Cl.** **D19/21**

(58) **Field of Search** D19/21; 283/2; 281/30; 40/107; 206/38, 102; D10/71, 72

(56) **References Cited**

U.S. PATENT DOCUMENTS

217,406 A	*	7/1879	Ratcliff	206/102
1,425,513 A	*	8/1922	Donovan	283/2
D134,403 S	*	11/1942	Sutton	D19/21 X

* cited by examiner

Primary Examiner—Paula A. Mortimer

(74) *Attorney, Agent, or Firm*—Michael A Mann; Nexsen Pruet Jacobs & Pollard LLC

(57) **CLAIM**

I claim the ornamental design for a combined manually operated daily calendar, week counter, and quote displaying apparatus, as shown and described.

DESCRIPTION

FIG. 1 is a front elevational view of a combined manually operated daily calendar, week calendar, and quote displaying apparatus showing my new design;

FIG. 2 is a rear perspective view according to the first preferred embodiment thereof;

FIG. 3 is a front elevational view of a second embodiment, the only difference being the absence of the descriptions; FIG. 4 is a rear view according to the first preferred embodiment thereof;

FIG. 5 is a right side view according to the first preferred embodiment thereof;

FIG. 6 is a left side view according to the first preferred embodiment thereof;

FIG. 7 is a top view according to the first preferred embodiment thereof;

FIG. 8 is a bottom view according to the first preferred embodiment thereof;

FIG. 9 is a front elevational view of a third embodiment, the only difference being the horizontal orientation and the rounded edges;

FIG. 10 is a front perspective view of a fourth embodiment, the only difference being the rounded edges;

FIG. 11 is a rear perspective view according to the second preferred embodiment thereof;

FIG. 12 is a front elevational view of a fifth embodiment, the only differences being the absence of the descriptions and the rounded edges;

FIG. 13 is a rear view according to the second preferred embodiment thereof;

FIG. 14 is a right side view according to the second preferred embodiment thereof;

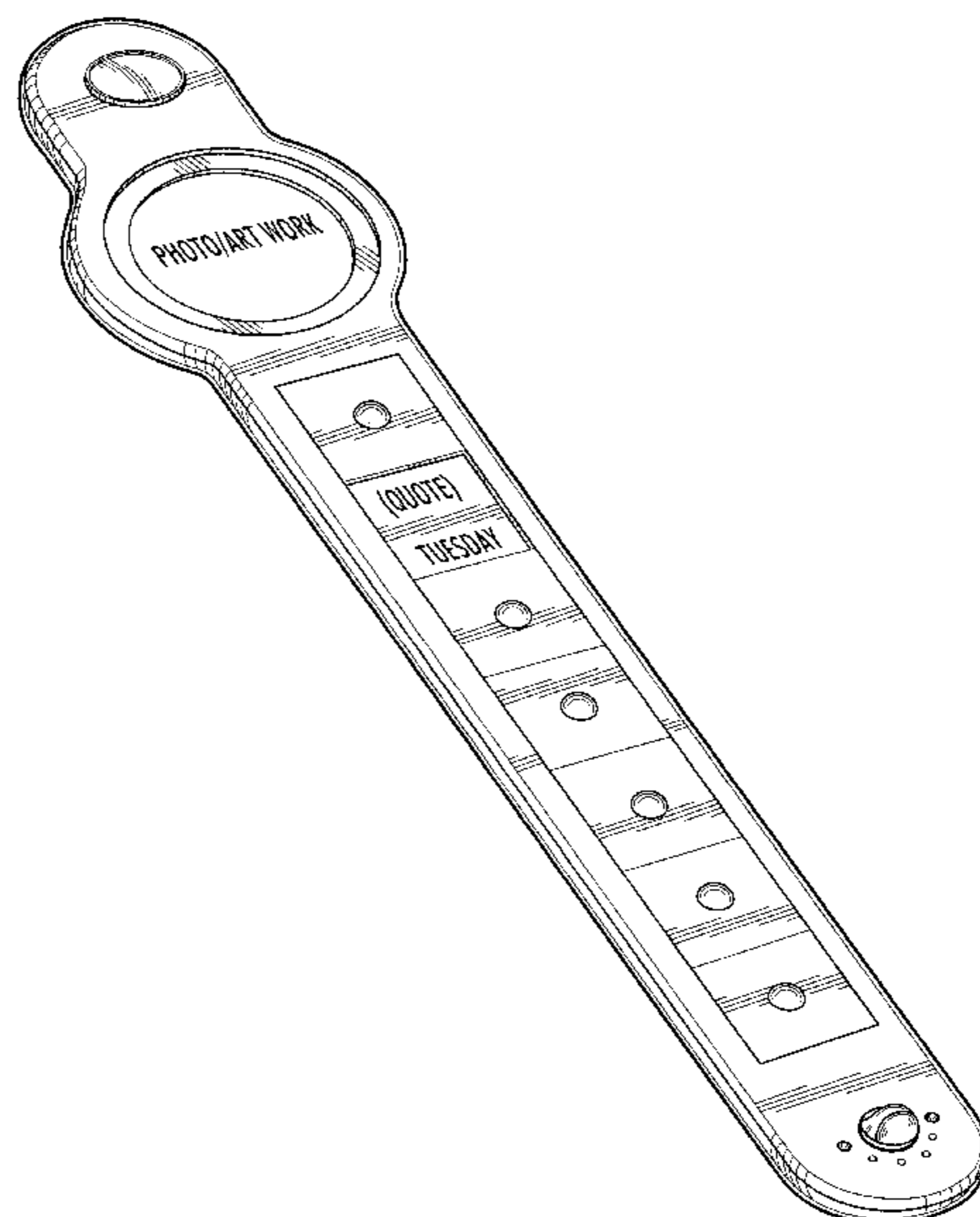
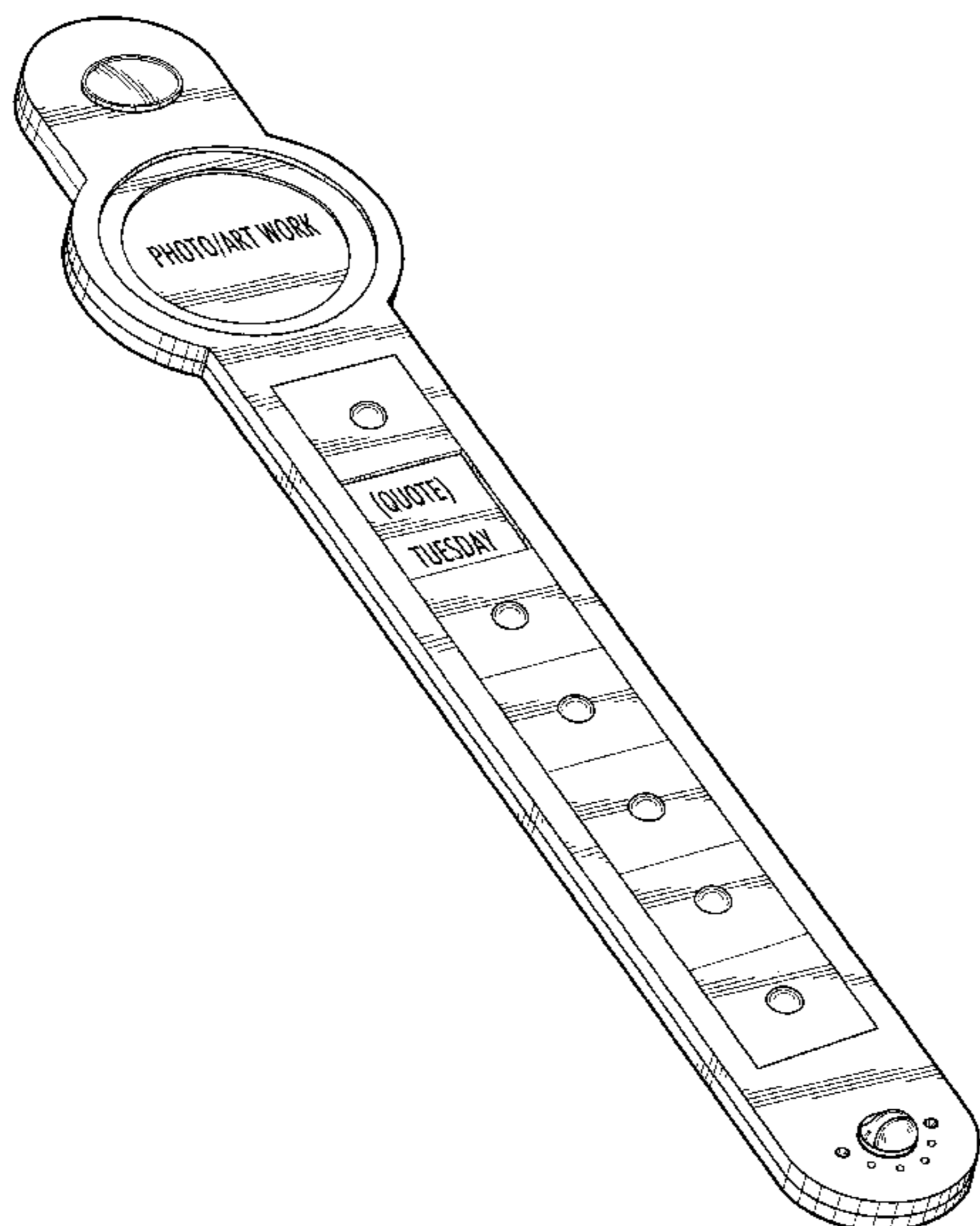
FIG. 15 is a left side view according to the second preferred embodiment thereof;

FIG. 16 is a top view according to the second preferred embodiment thereof;

FIG. 17 is a bottom view according to the second preferred embodiment thereof; and,

FIG. 18 is a front elevational view of a sixth embodiment, the only differences being the horizontal orientation and rounded edges.

1 Claim, 10 Drawing Sheets



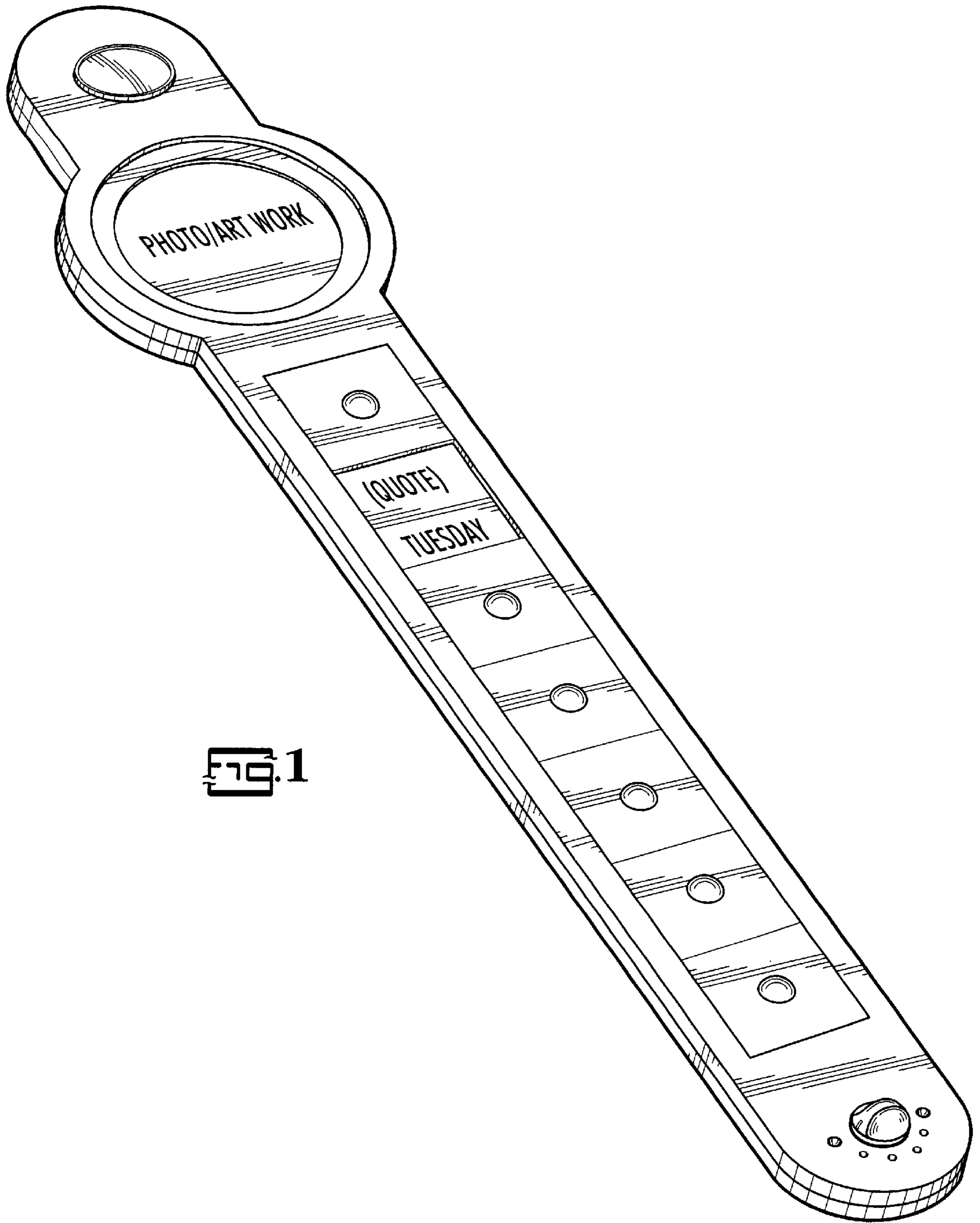


FIG. 1

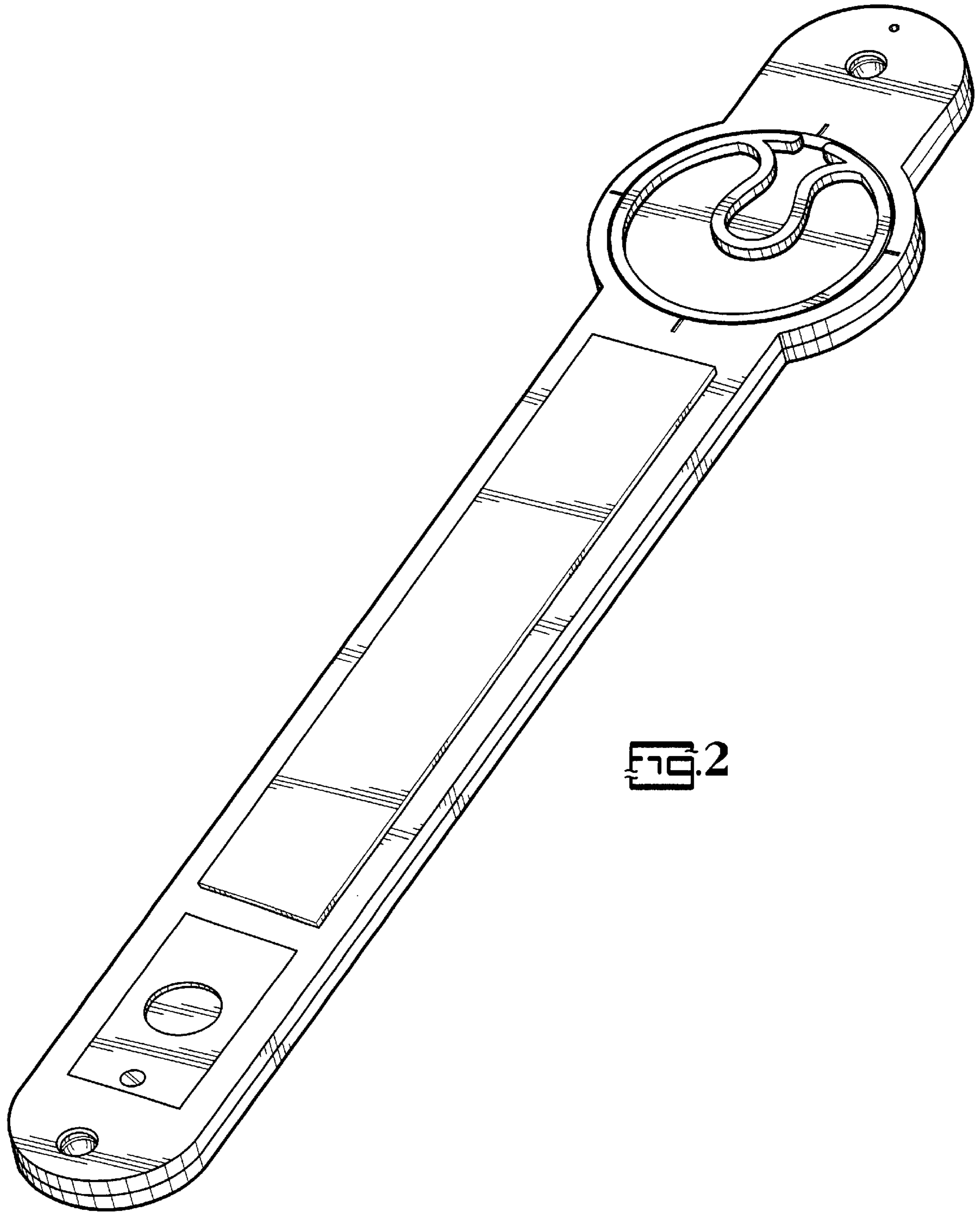


FIG. 2

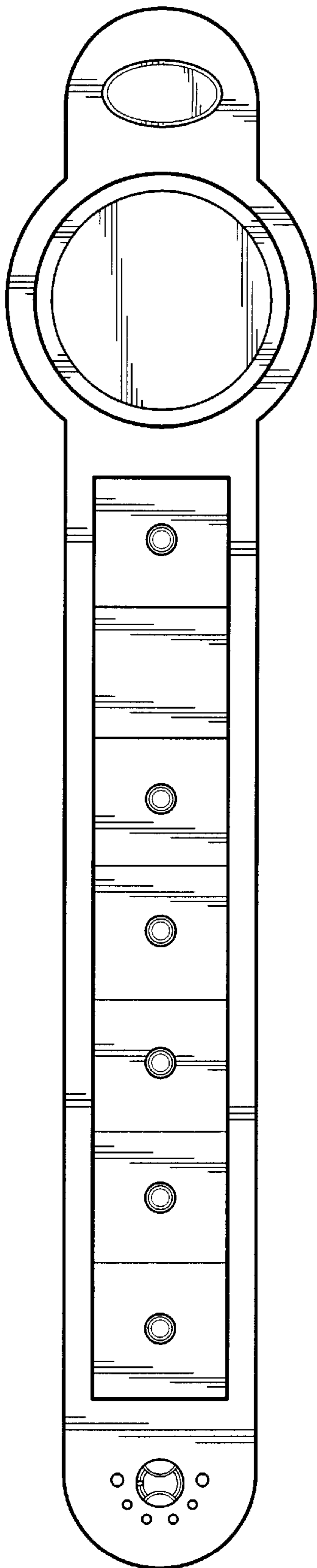


FIG. 3

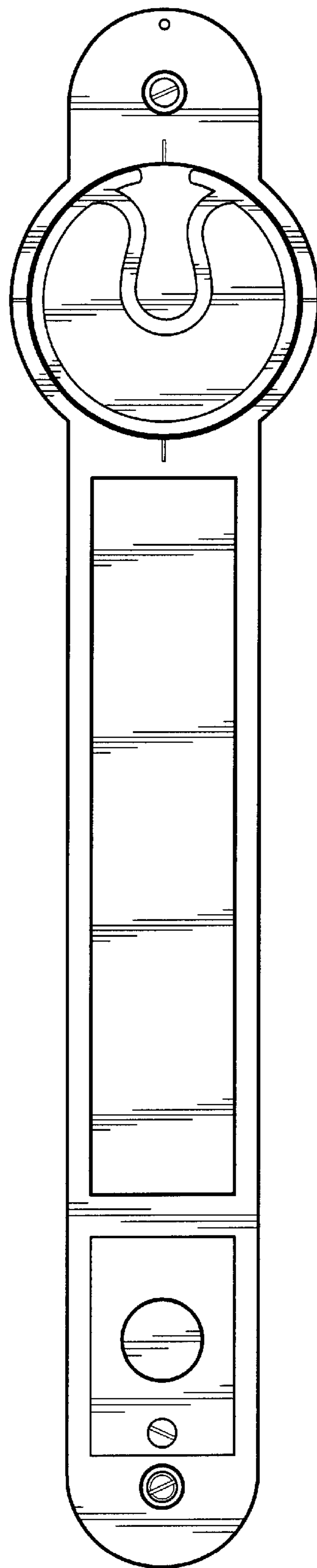
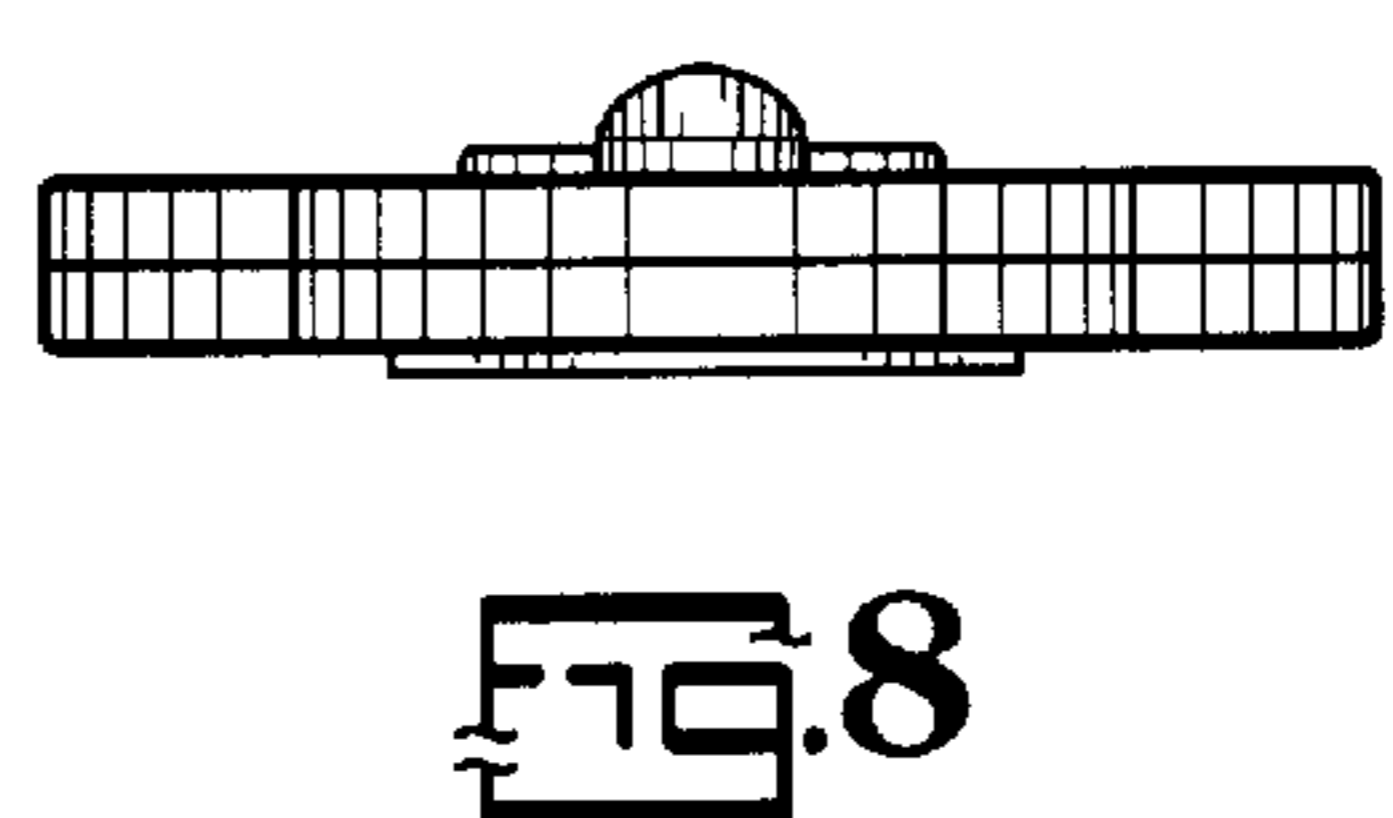
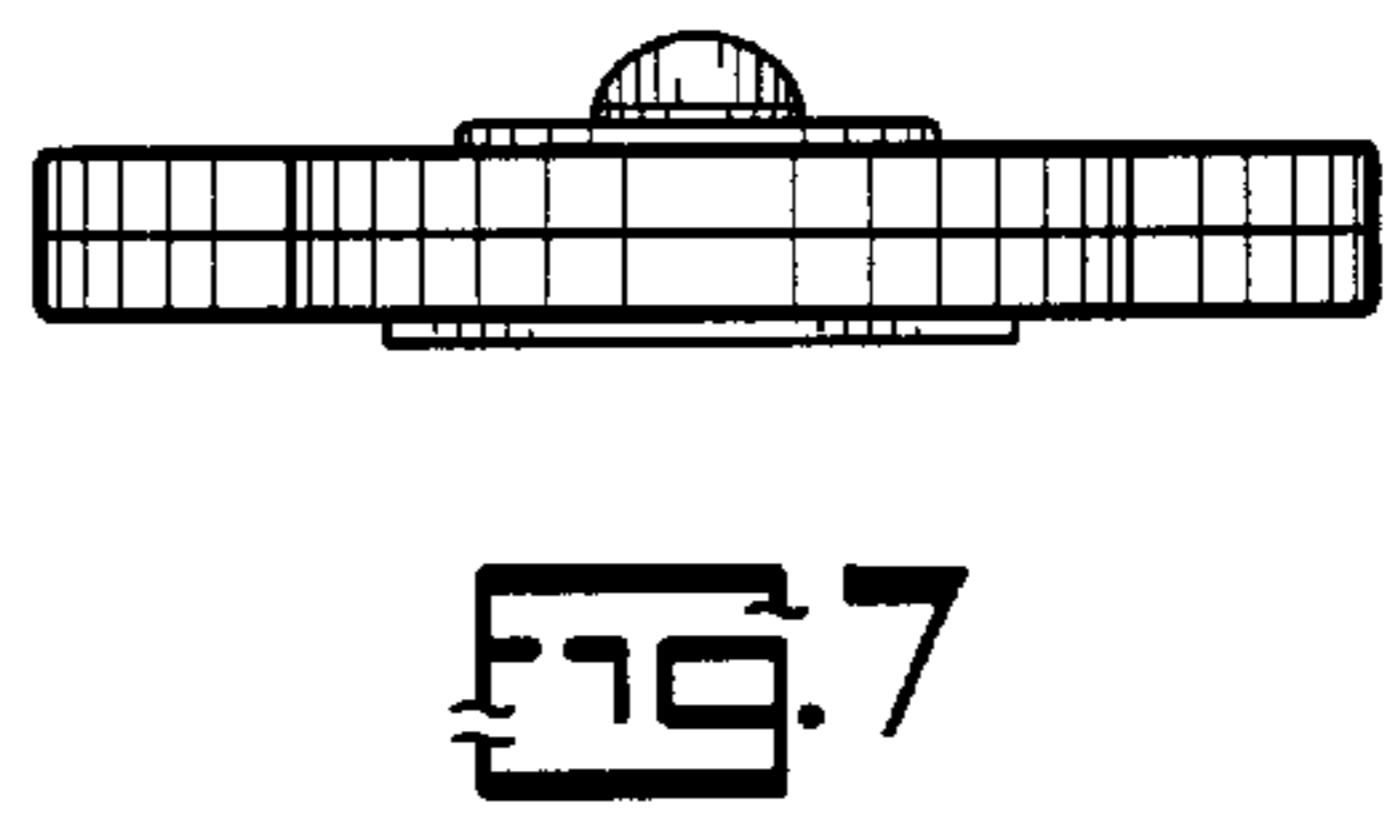
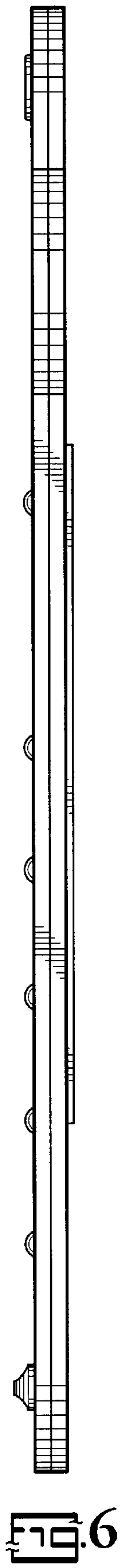
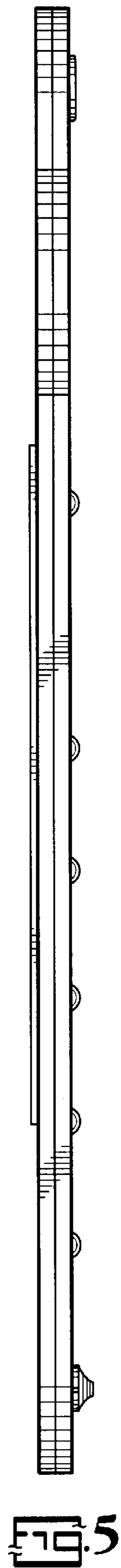


FIG. 4



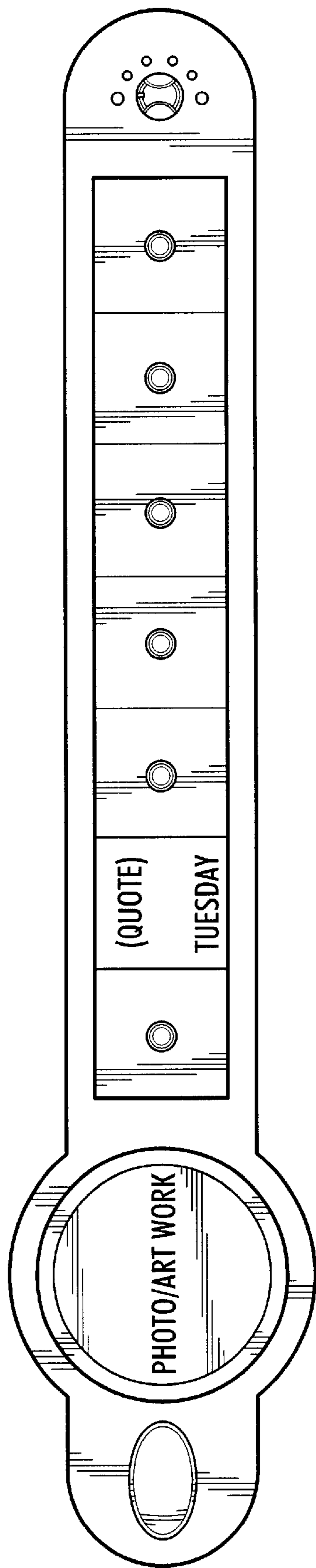


FIG. 9

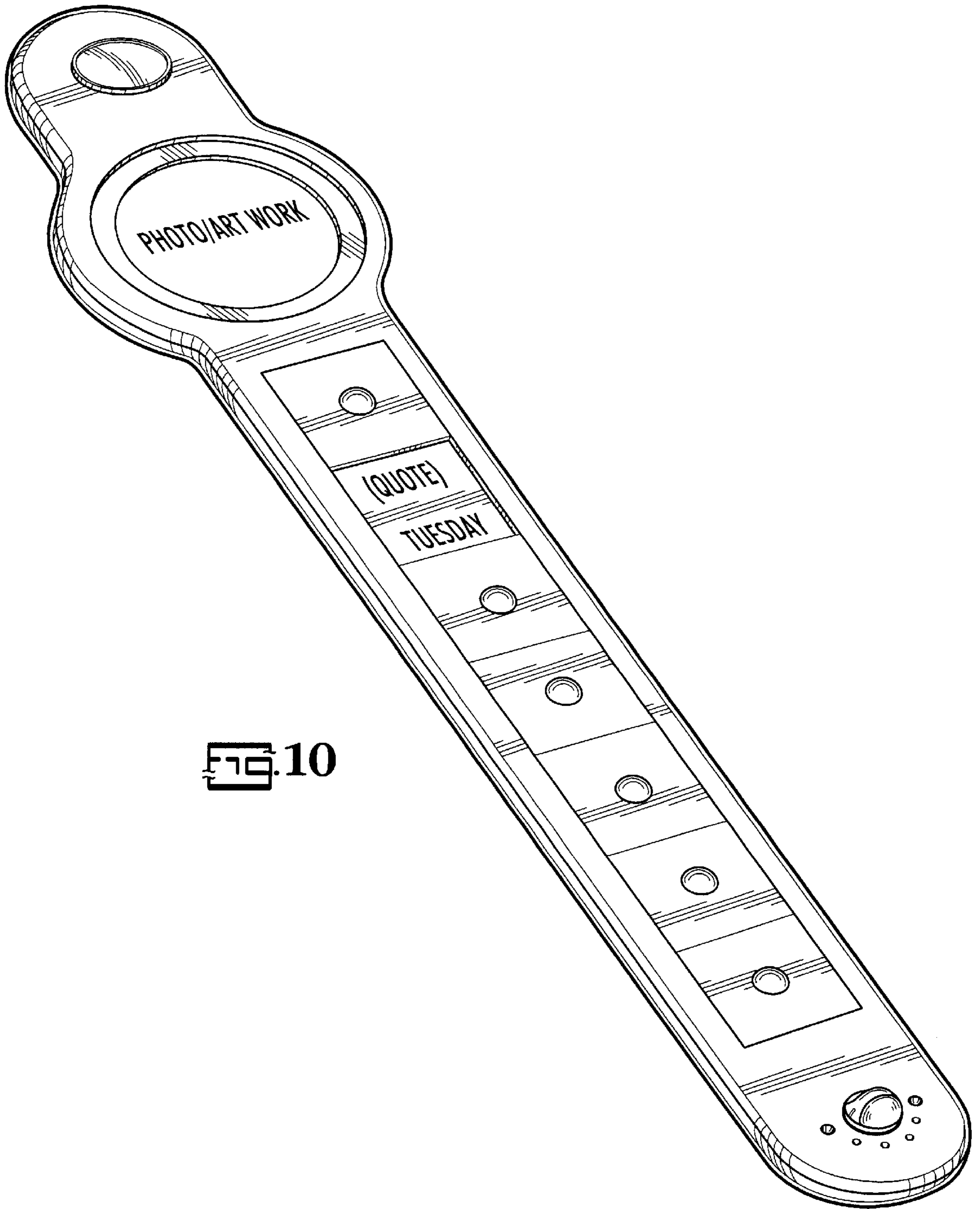


FIG. 10

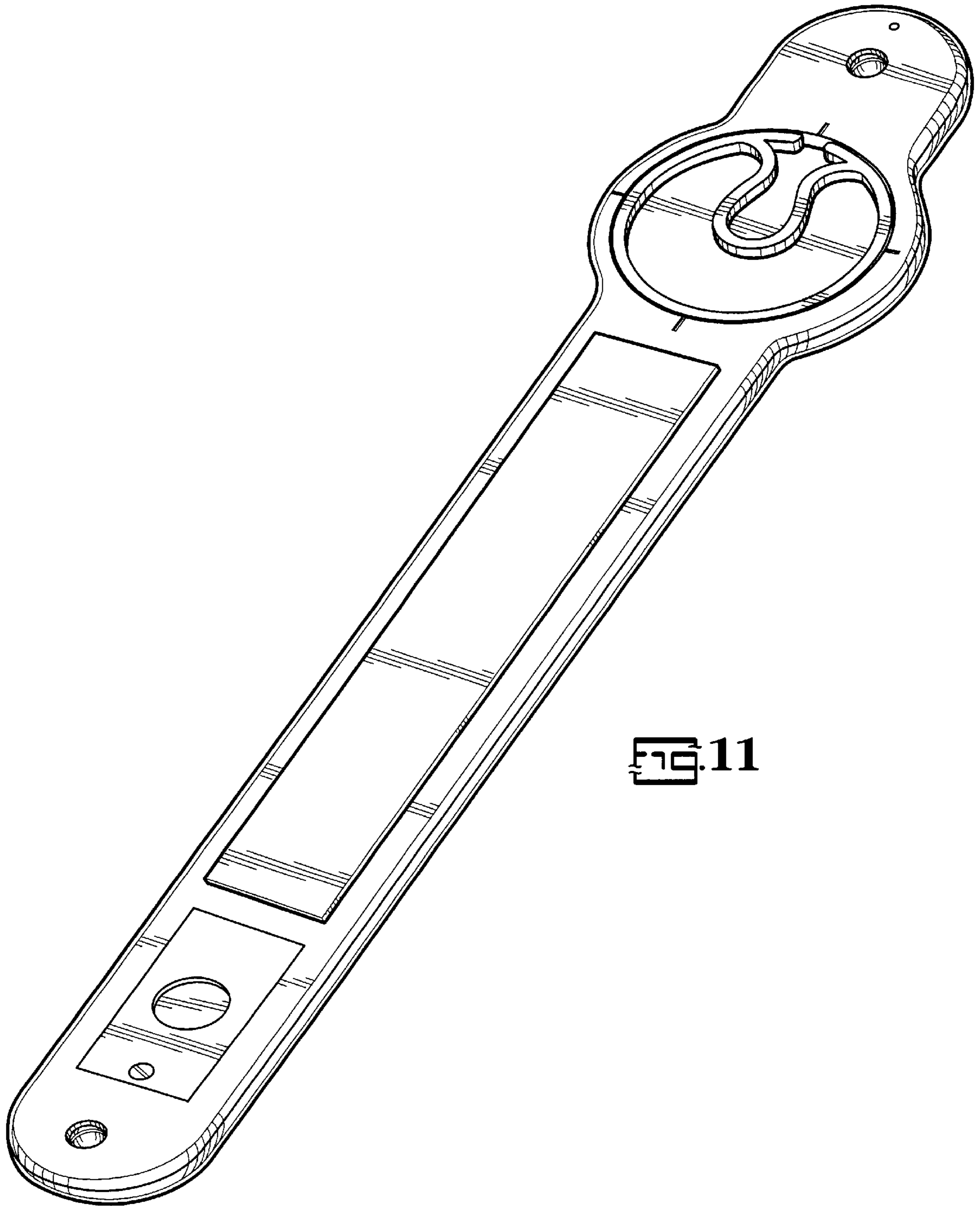


FIG. 11

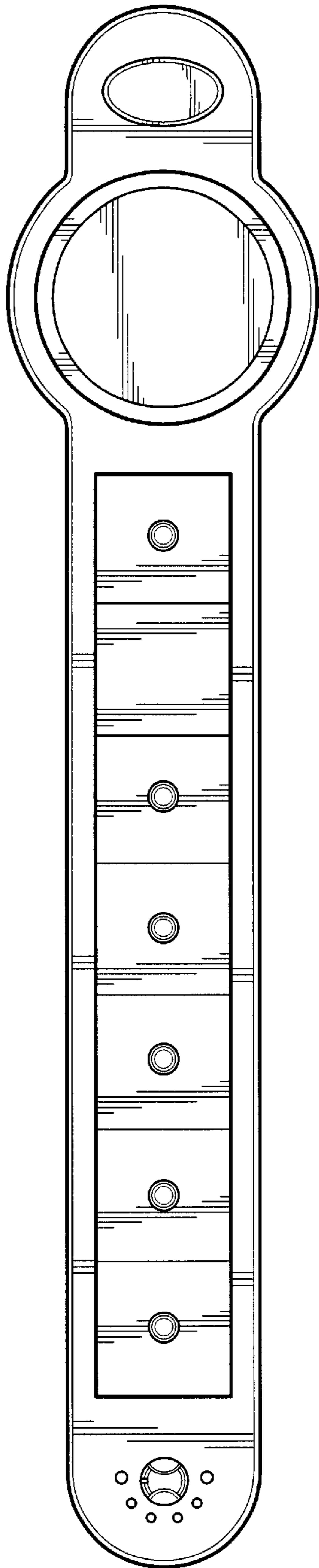


FIG. 12

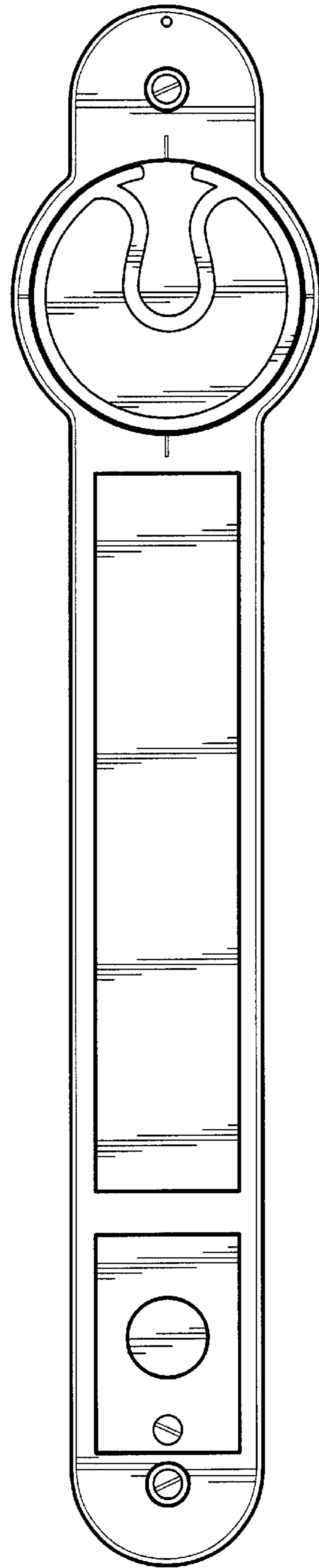


FIG. 13

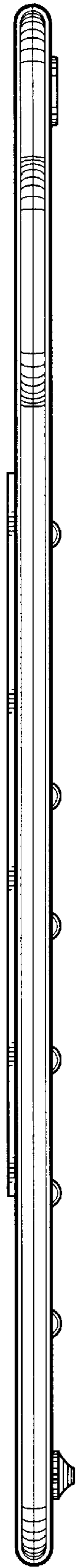


FIG. 14



FIG. 15

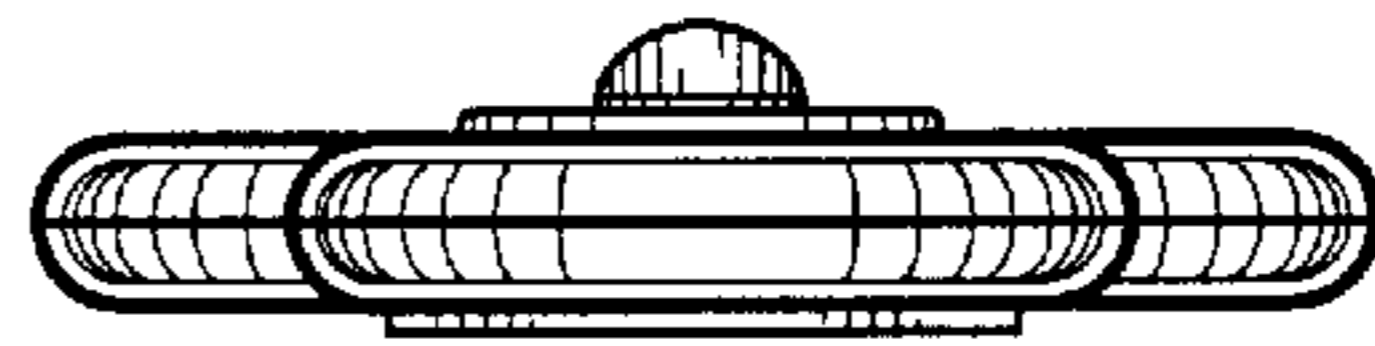


FIG. 16

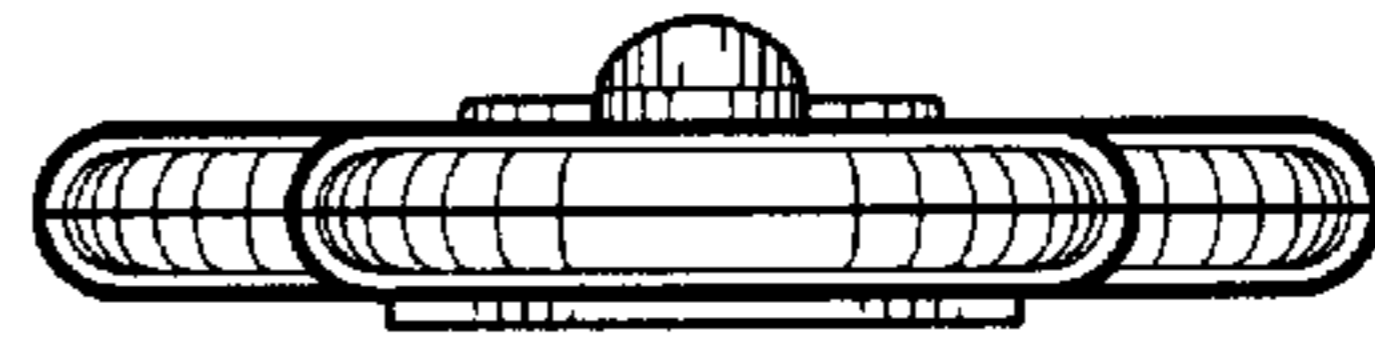


FIG. 17

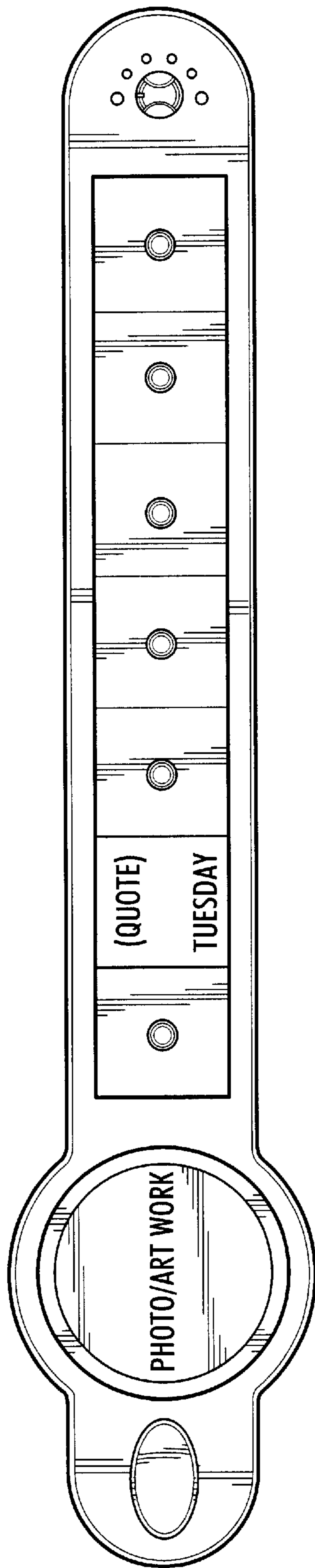


FIG. 18