

US00D464672S

(12) **United States Design Patent**
Shinano et al.

(10) **Patent No.:** **US D464,672 S**

(45) **Date of Patent:** **** Oct. 22, 2002**

(54) **INK PAPER PACK**

(76) Inventors: **Toru Shinano**, c/o Canon Kabushiki Kaisha, 30-2, Shimomaruko 3-chome, Ohta-ku, Tokyo (JP); **Hirofumi Hirano**, c/o Canon Kabushiki Kaisha, 30-2, Shimomaruko 3-chome, Ohta-ku, Tokyo (JP)

(**) Term: **14 Years**

(21) Appl. No.: **29/147,942**

(22) Filed: **Sep. 12, 2001**

(30) **Foreign Application Priority Data**

Mar. 21, 2001 (JP) 2001-007291

(51) **LOC (7) Cl.** **18-02**

(52) **U.S. Cl.** **D18/56**

(58) **Field of Search** D18/18, 43-44; 347/86, 87, 68; 271/162; D9/414-415, 418, 337; 206/461-471, 806, 495, 575-576, 224, 1.7, 449; D19/35, 65, 93

(56) **References Cited**

U.S. PATENT DOCUMENTS

3,767,188 A * 10/1973 Rosenberg, Jr. et al. D18/44
D258,066 S * 1/1981 DeGregorio D18/44
D319,465 S * 8/1991 Isomoto D18/44
5,113,206 A * 5/1992 Fukazawa 347/86
D349,723 S * 8/1994 Ujita D18/12
D379,638 S * 6/1997 Cruden et al. D18/56
D426,261 S * 6/2000 Gardiner et al. D18/56
6,217,019 B1 * 4/2001 Ishiduka et al. 206/449

6,227,732 B1 * 5/2001 Higuchi et al. 206/449
D447,513 S * 9/2001 Miyazawa et al. D18/56
D449,068 S * 10/2001 Miyazawa D18/56
D453,182 S * 1/2002 Shinano D18/56
D453,183 S * 1/2002 Shinano et al. D18/56

OTHER PUBLICATIONS

U.S. patent application Ser. No. 29/147,943 filed Sep. 12, 2001.

U.S. patent application Ser. No. 29/137,544 filed Feb. 26, 2001.

U.S. patent application Ser. No. 29/137,540 filed Feb. 26, 2001.

U.S. patent application Ser. No. 29/137,541 filed Feb. 26, 2001.

* cited by examiner

Primary Examiner—Cathy Anne MacCormac

(57) **CLAIM**

The ornamental design for an ink paper pack, as shown and described.

DESCRIPTION

FIG. 1 is a front view of an ink paper pack showing our new design;

FIG. 2 is a rear view thereof;

FIG. 3 is a top plan view thereof;

FIG. 4 is a bottom plan view thereof;

FIG. 5 is a left side view thereof;

FIG. 6 is a right side view thereof; and,

FIG. 7 is a perspective view thereof.

1 Claim, 3 Drawing Sheets

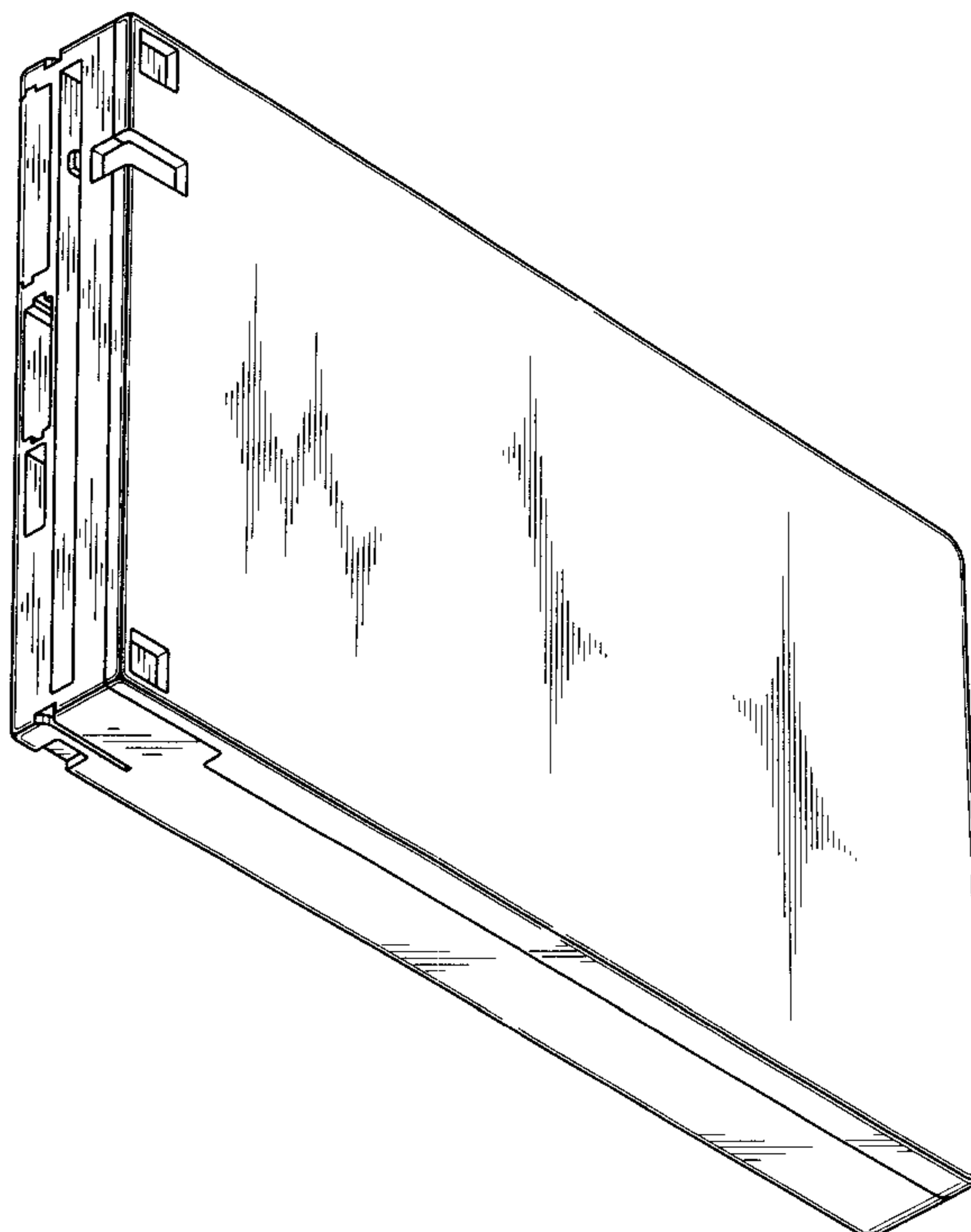


FIG. 1

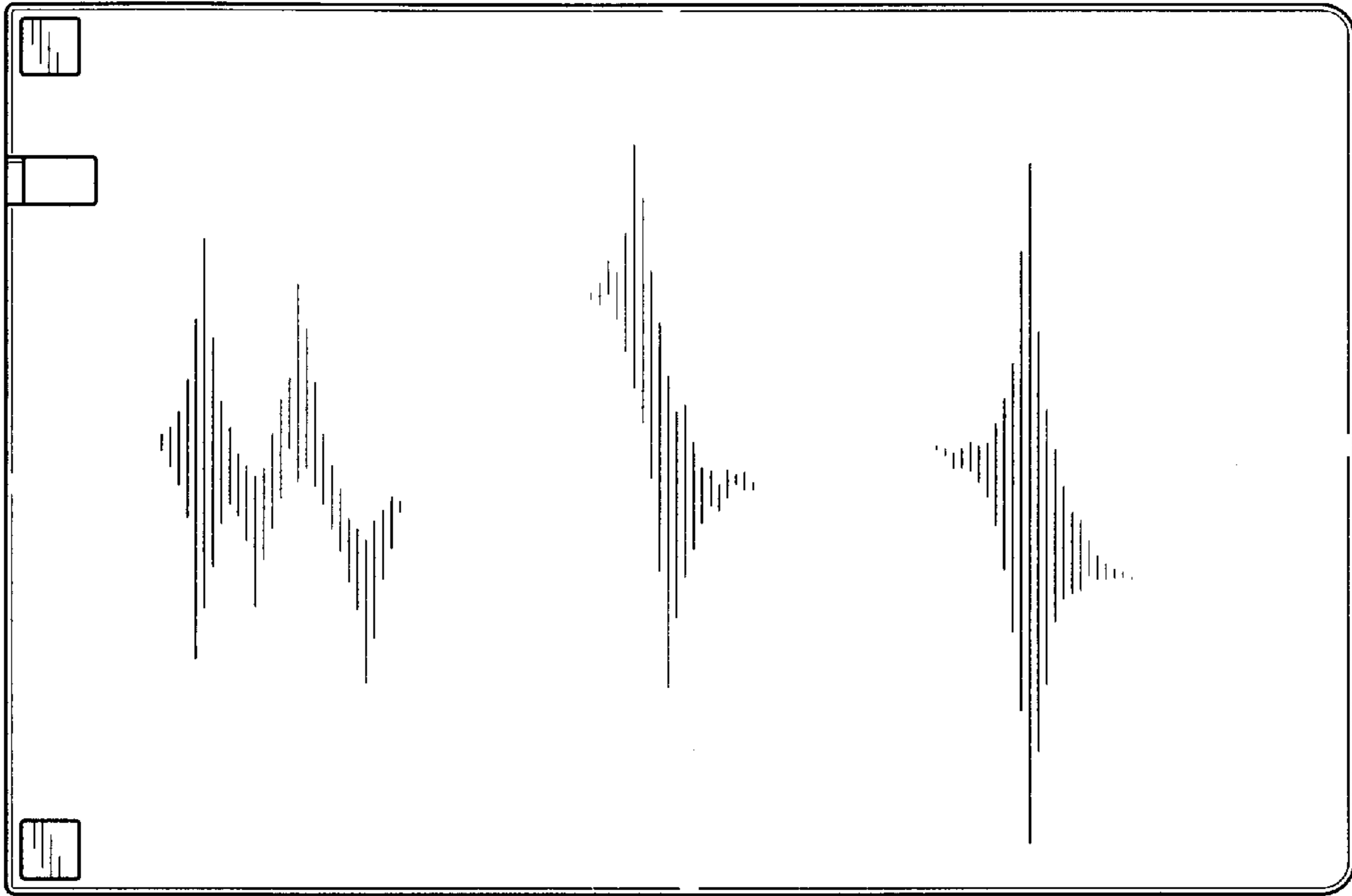


FIG. 2

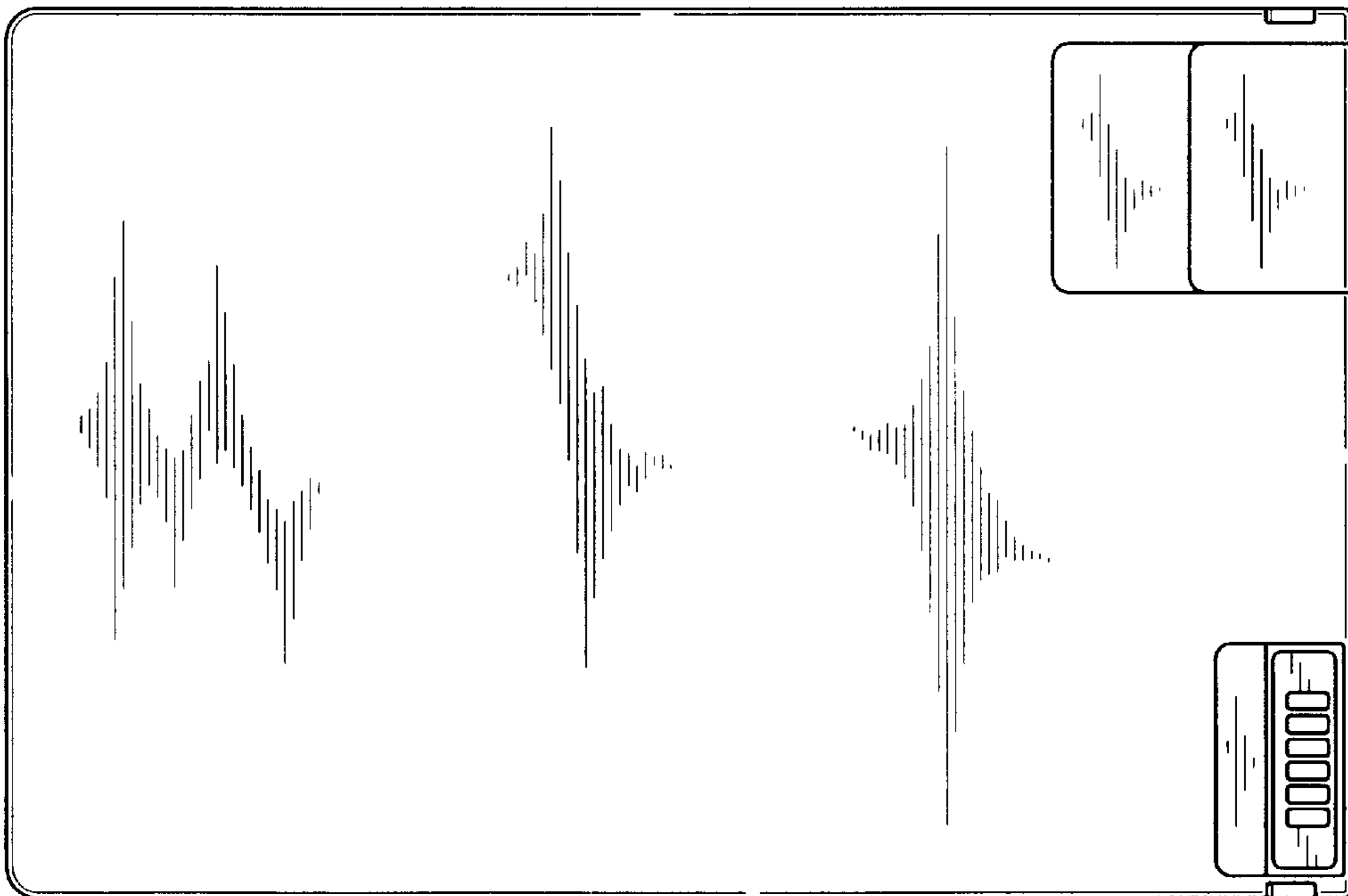


FIG. 3

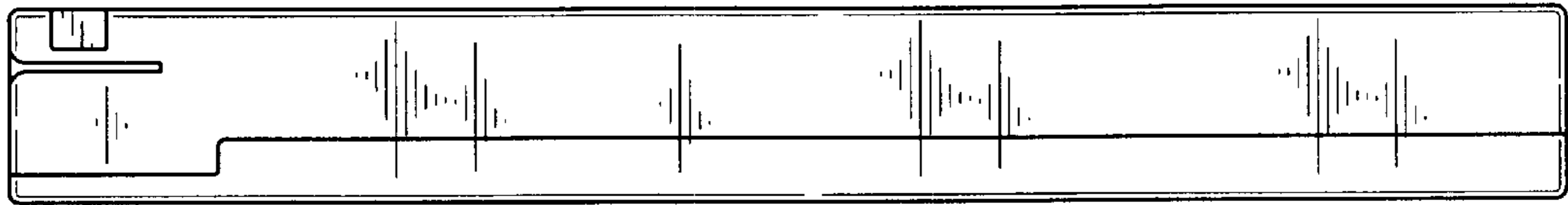


FIG. 4

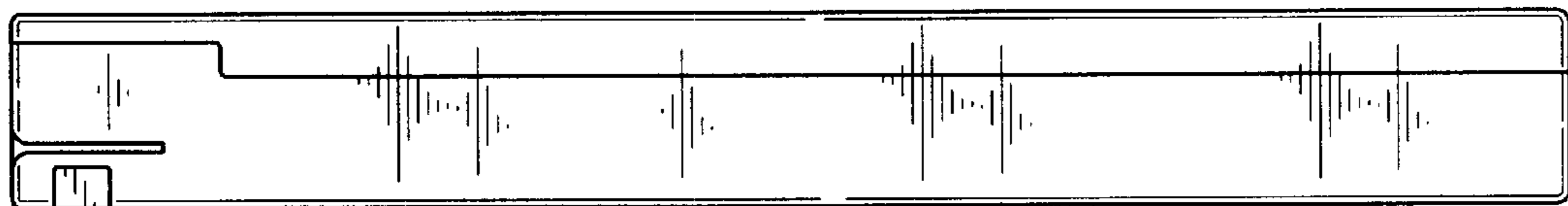


FIG. 5

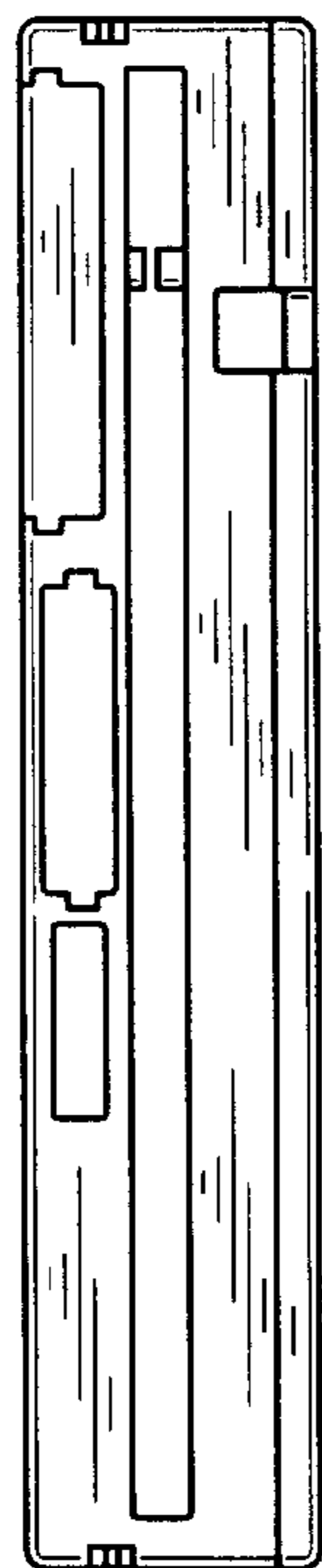


FIG. 6

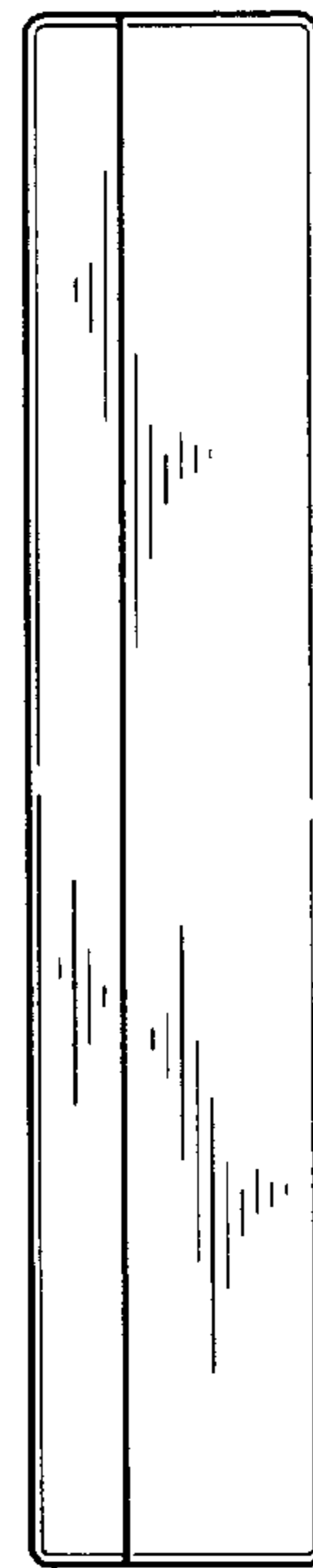
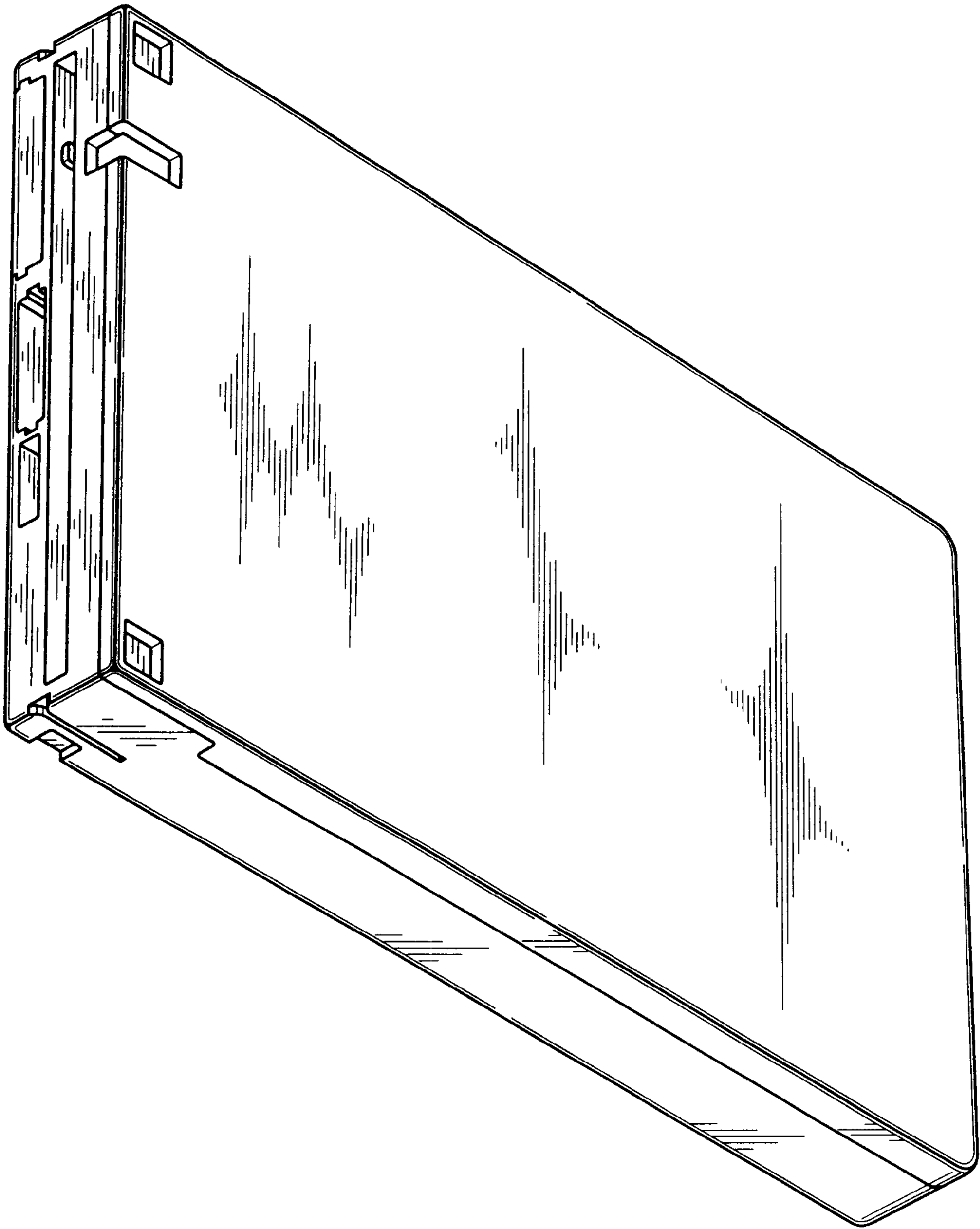


FIG. 7



UNITED STATES PATENT AND TRADEMARK OFFICE
CERTIFICATE OF CORRECTION

PATENT NO. : Des. 464,672 S
DATED : October 22, 2002
INVENTOR(S) : Toru Shinano et al.

Page 1 of 1

It is certified that error appears in the above-identified patent and that said Letters Patent is hereby corrected as shown below:

Title page,

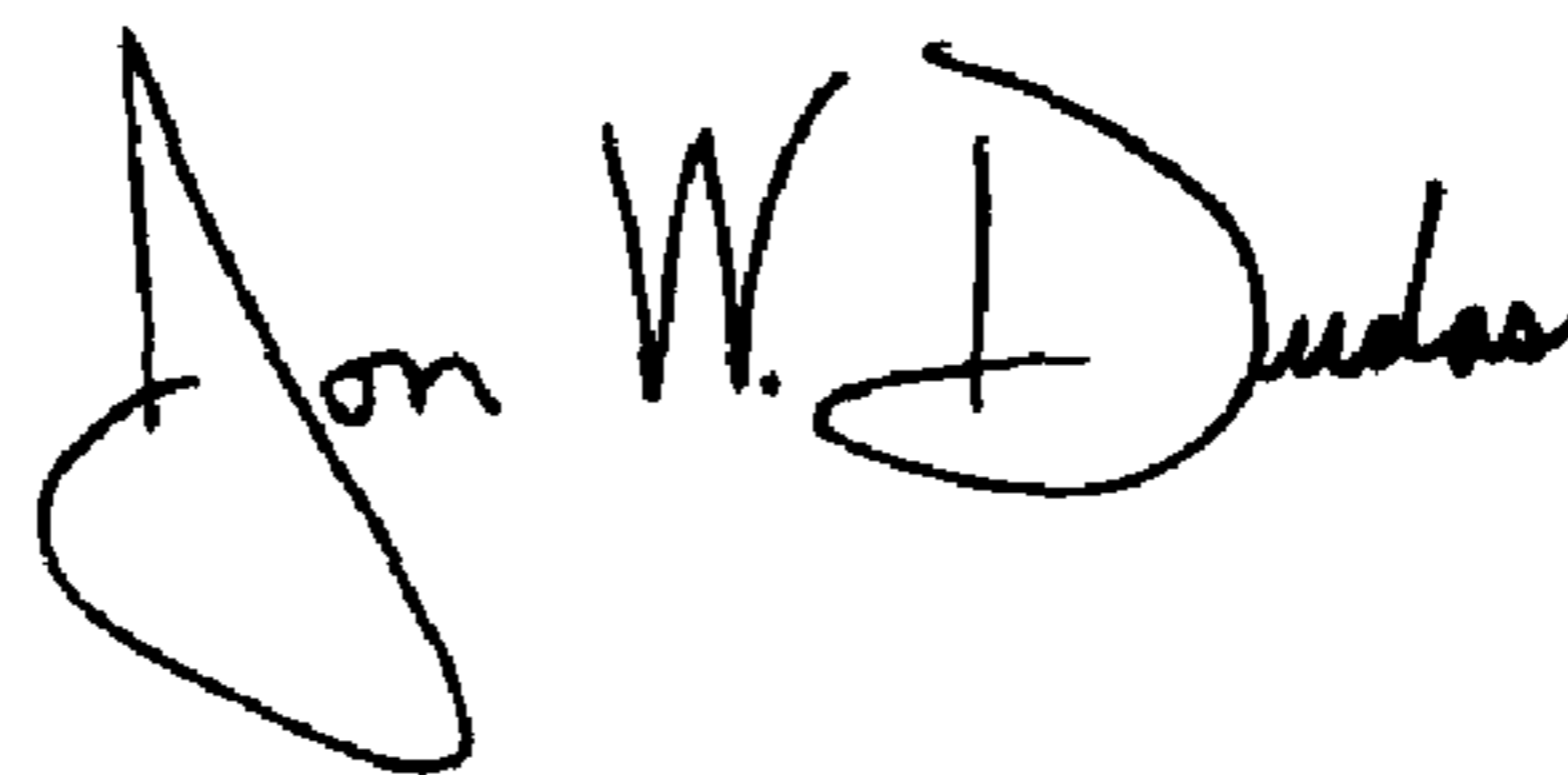
Item [76], Inventors, “**Toru Shinano**, c/o Canon Kabushiki Kaisha, 30-2, Shimomaruka 3-chome, Ohta-ku, Tokyo (JP); **Hirofumi Hirano**, c/o Canon Kabushiki Kaisha, 30-2, Shimomaruko 3-chome, Ohta-ku, Tokyo (JP)” should read -- **Toru Shinano, Hirofumi Hirano**, both of Yokohama (JP) --

Insert Item -- [73] Assignee: **Canon Kabushiki Kaisha**, Tokyo (JP) --.

Insert Item -- [74] *Agent, Attorney, or Firm*: Fitzpatrick, Cella, Harper & Scinto --.

Signed and Sealed this

Seventeenth Day of August, 2004

A handwritten signature in black ink, reading "Jon W. Dudas". The signature is written in a cursive style with a large, looped initial "J".

JON W. DUDAS

Acting Director of the United States Patent and Trademark Office