



US00D464668S

(12) **United States Design Patent**
Klettke

(10) **Patent No.:** **US D464,668 S**

(45) **Date of Patent:** **** Oct. 22, 2002**

(54) **SUN GLASSES**

(76) Inventor: **Michael D. Klettke**, 6730 SE.
Clackamas Rd., Milwaukie, OR (US)
97267

(**) Term: **14 Years**

(21) Appl. No.: **29/156,407**

(22) Filed: **Feb. 25, 2002**

(51) **LOC (7) Cl.** **16-06**

(52) **U.S. Cl.** **D16/319; D16/326**

(58) **Field of Search** D16/101, 300-330,
D16/332, 333; D29/109, 110; 351/41, 44,
51, 52, 132, 136, 158; 2/426, 436, 437,
447, 448

(56) **References Cited**

U.S. PATENT DOCUMENTS

D330,561 S	*	10/1992	Wilson	D16/315
D362,010 S	*	9/1995	Simioni	D16/314
D362,671 S	*	9/1995	Simioni	D16/325
D404,054 S	*	1/1999	Arnette	D16/325
D428,913 S	*	8/2000	Kopfer	D16/326
D439,597 S	*	3/2001	Marcum	D16/312
D447,764 S	*	9/2001	Chen	D16/330

* cited by examiner

Primary Examiner—Raphael Barkai

(74) *Attorney, Agent, or Firm*—Olson & Olson

(57) **CLAIM**

The ornamental design of sun glasses, as shown and described.

DESCRIPTION

FIG. 1 is a perspective view of a first embodiment of the family of sun glasses showing my new design;

FIG. 2 is a top plan view of the sun glasses of FIG. 1.

FIG. 3 is a side view as viewed from the right in FIG. 2.

FIG. 4 is a front view as viewed from the bottom in FIG. 2.

FIG. 5 is a rear view as viewed from the top in FIG. 2.

FIG. 6 is a bottom plan view of the sun glasses of FIG. 1.

FIG. 7 is a perspective view of a second embodiment of the family of sun glasses showing my new design.

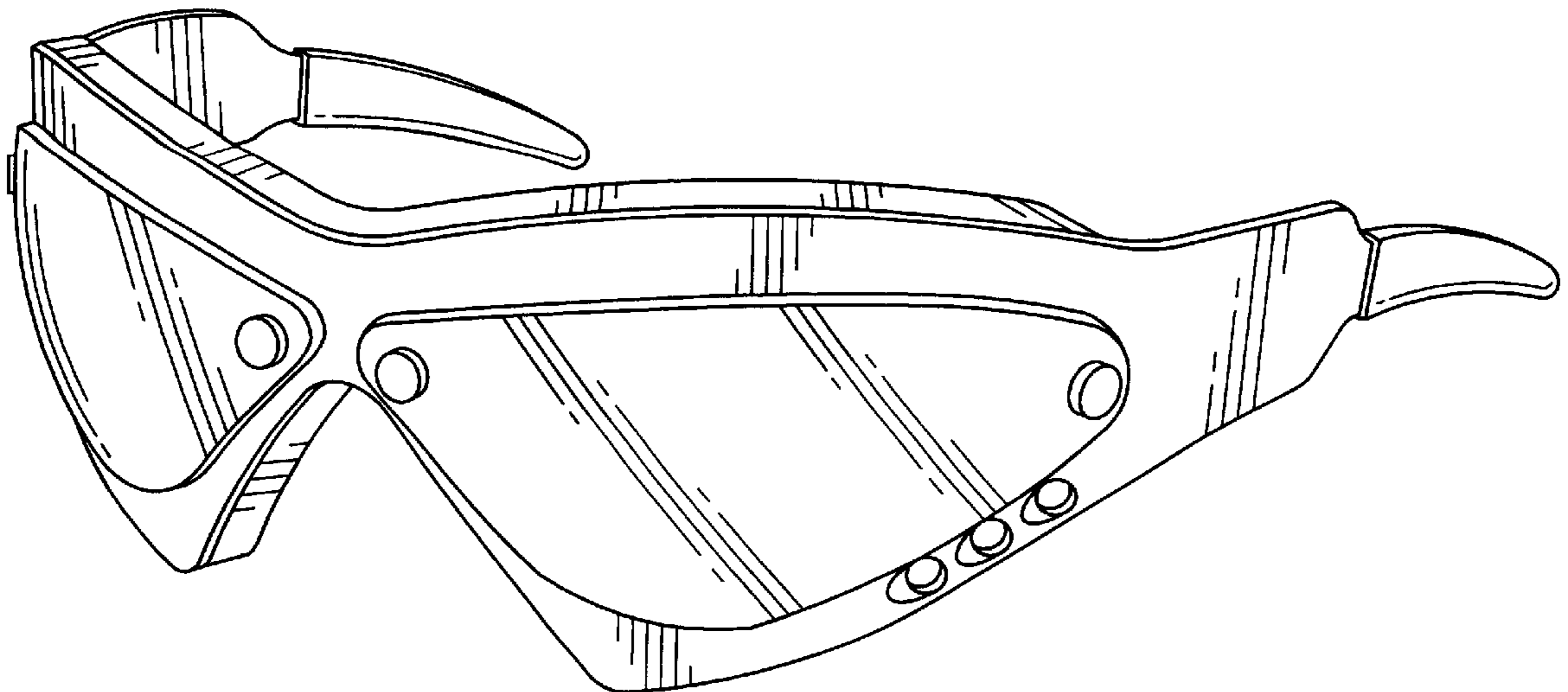
FIG. 8 is a top plan view of the sun glasses of FIG. 7.

FIG. 9 is a side view as viewed from the right in FIG. 8.

FIG. 10 is a front view as viewed from the bottom in FIG. 8.

FIG. 11 is a rear view as viewed from the top in FIG. 8; and, FIG. 12 is a bottom plan view of the sun glasses of FIG. 7.

1 Claim, 5 Drawing Sheets



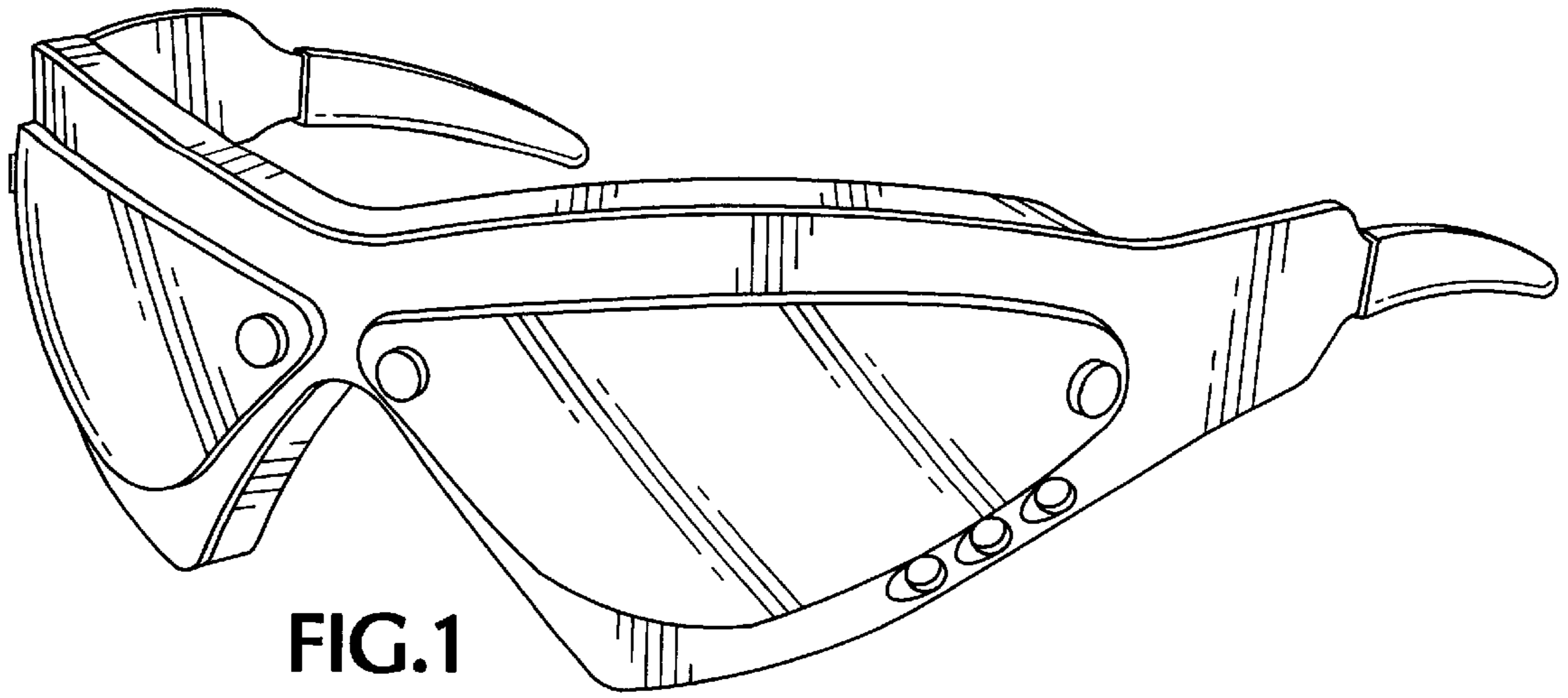


FIG.1

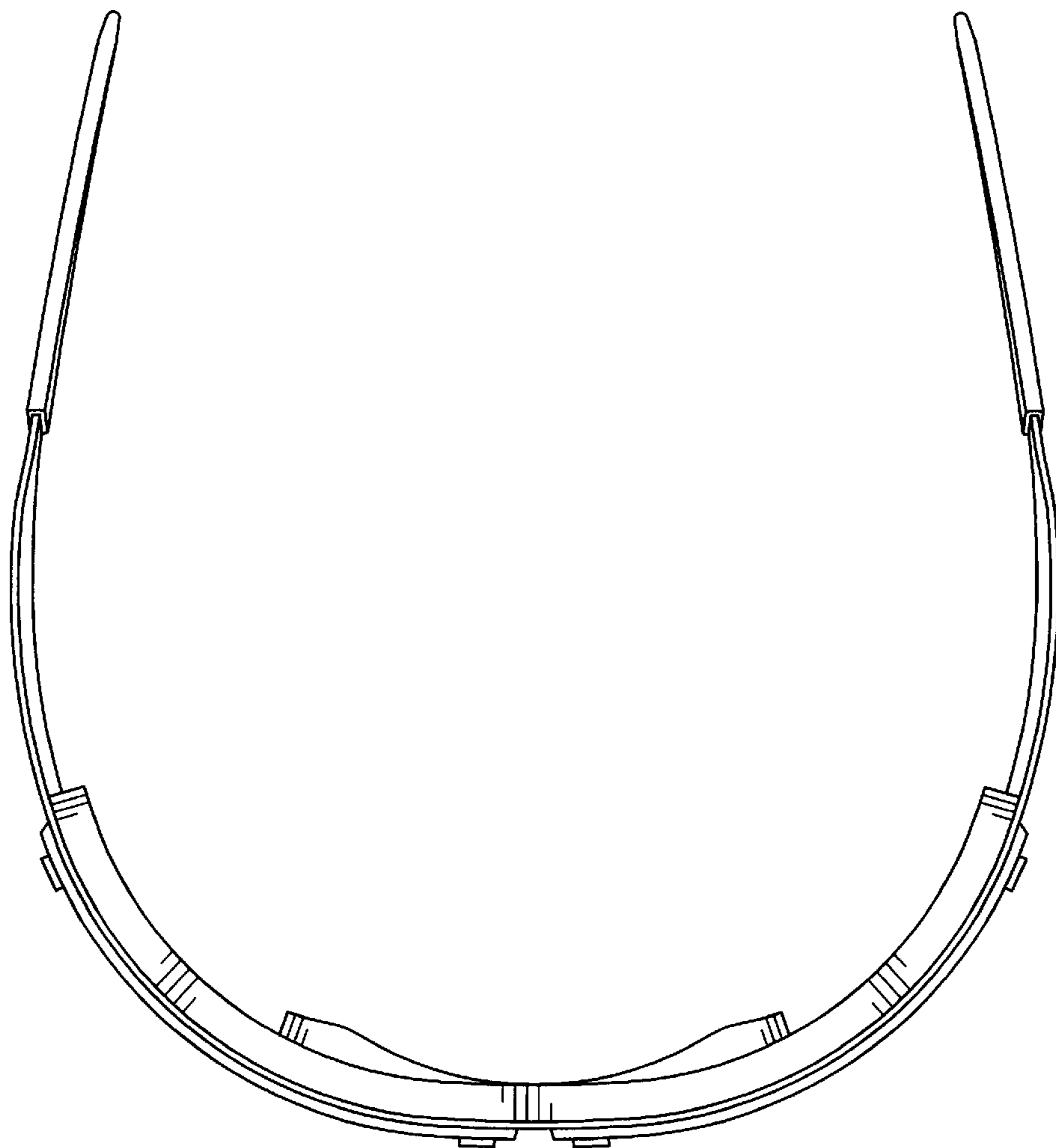


FIG.2

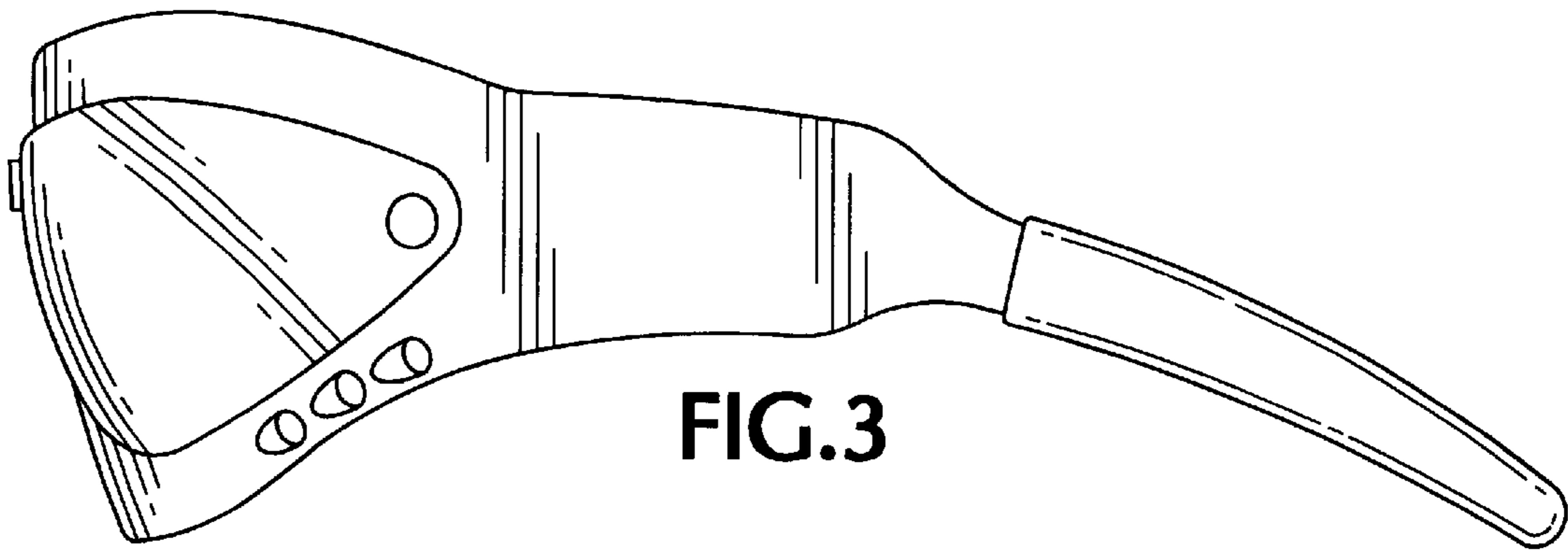


FIG. 3

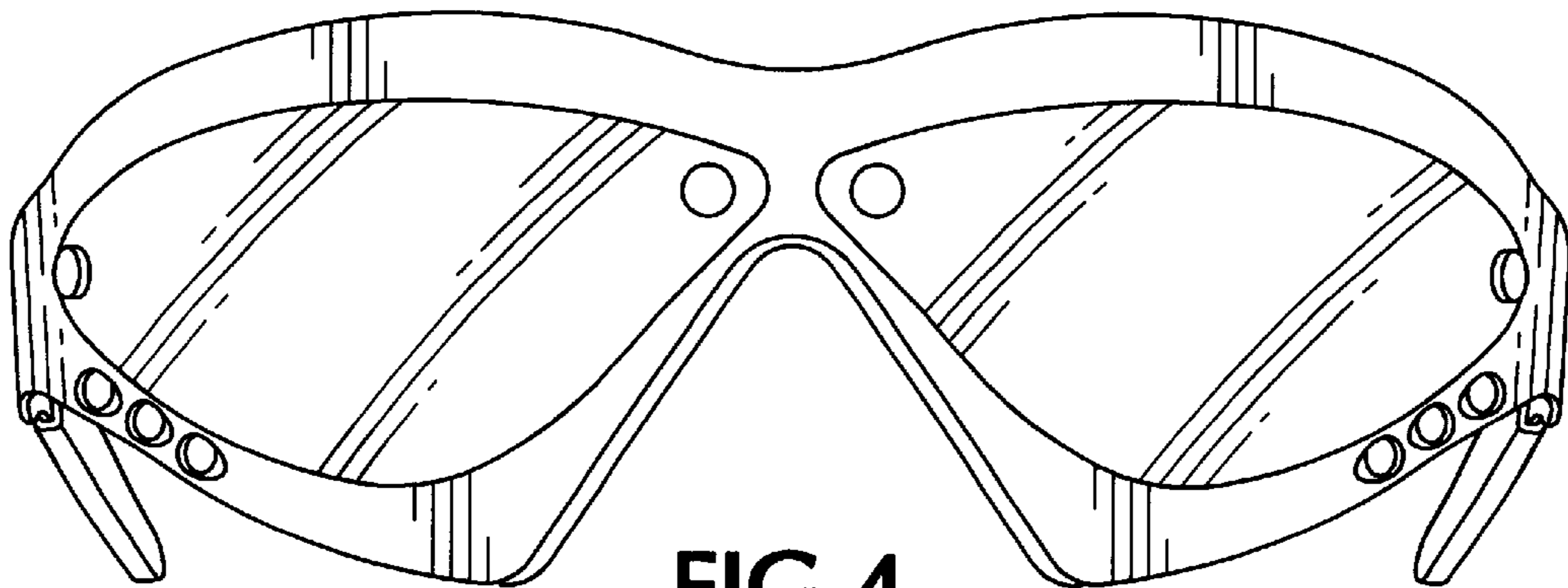


FIG. 4

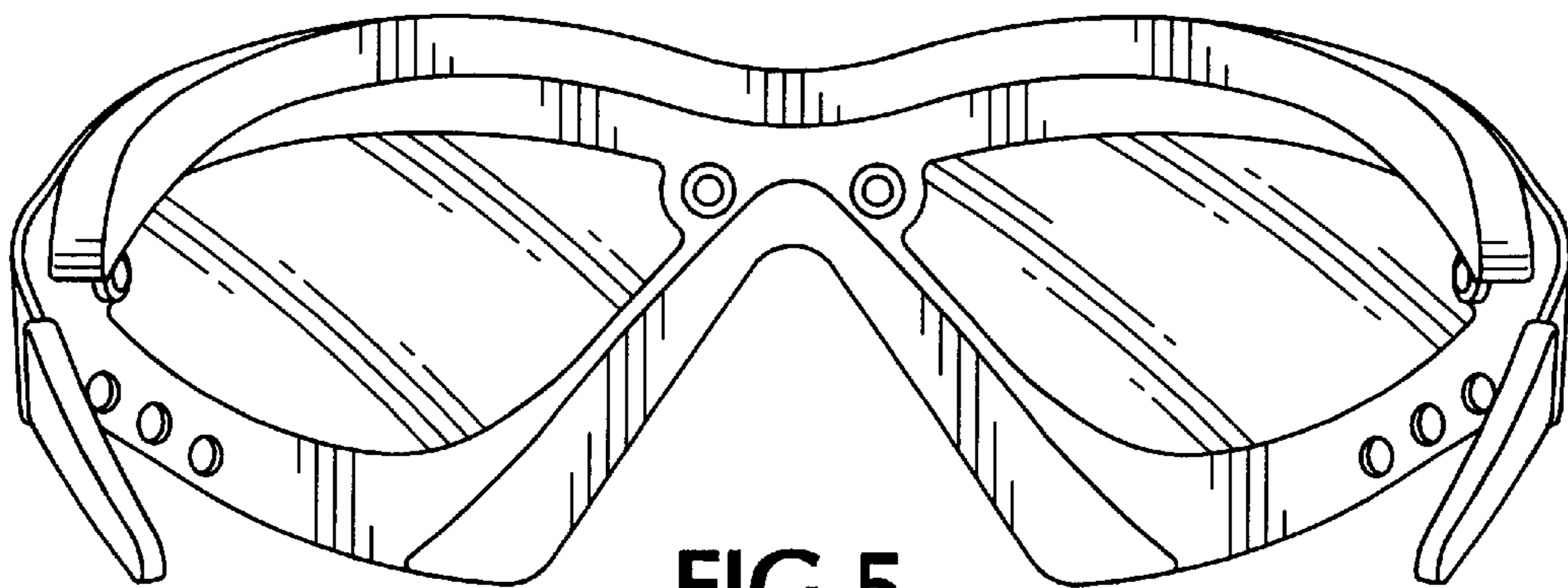


FIG. 5

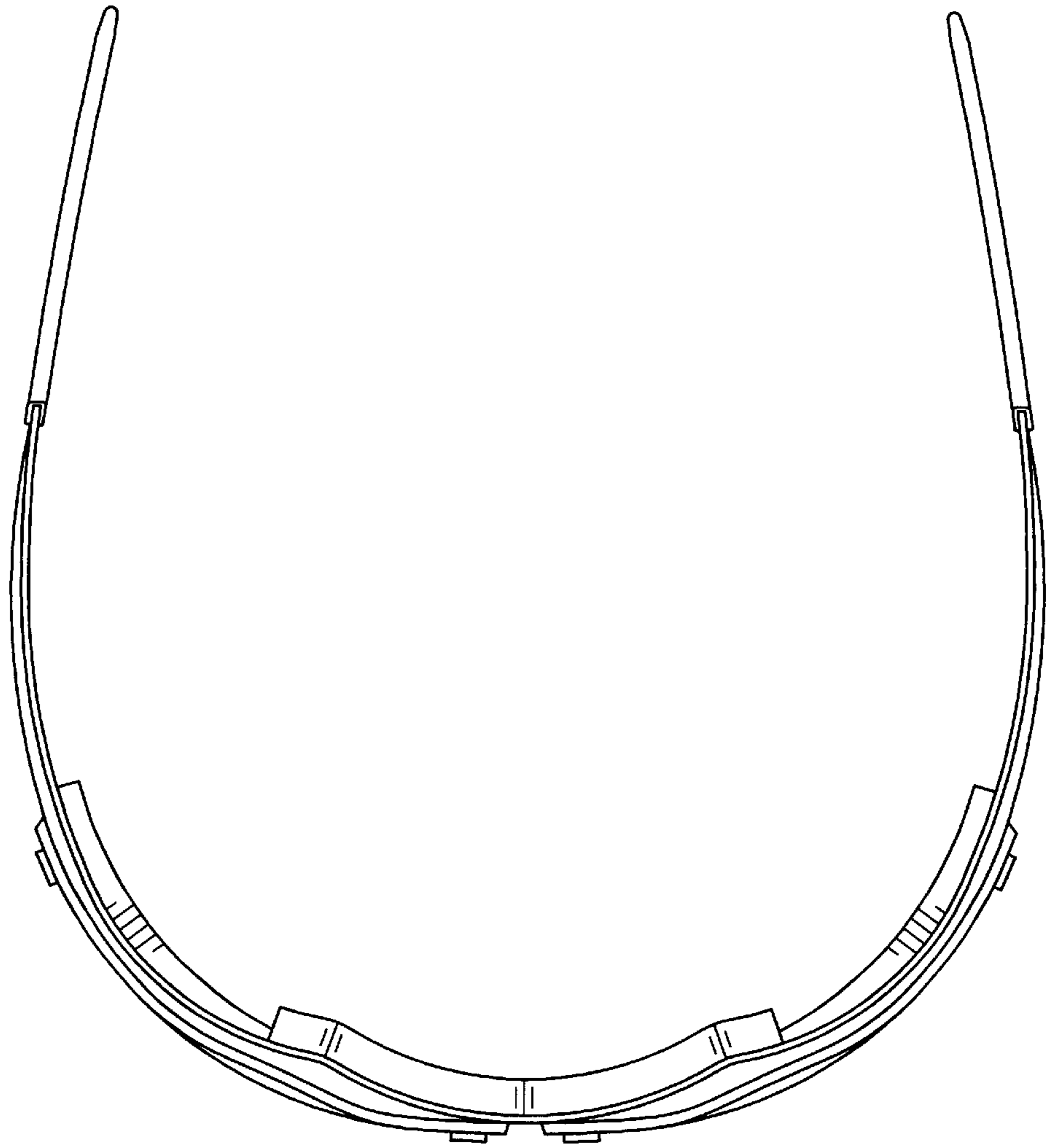


FIG. 6

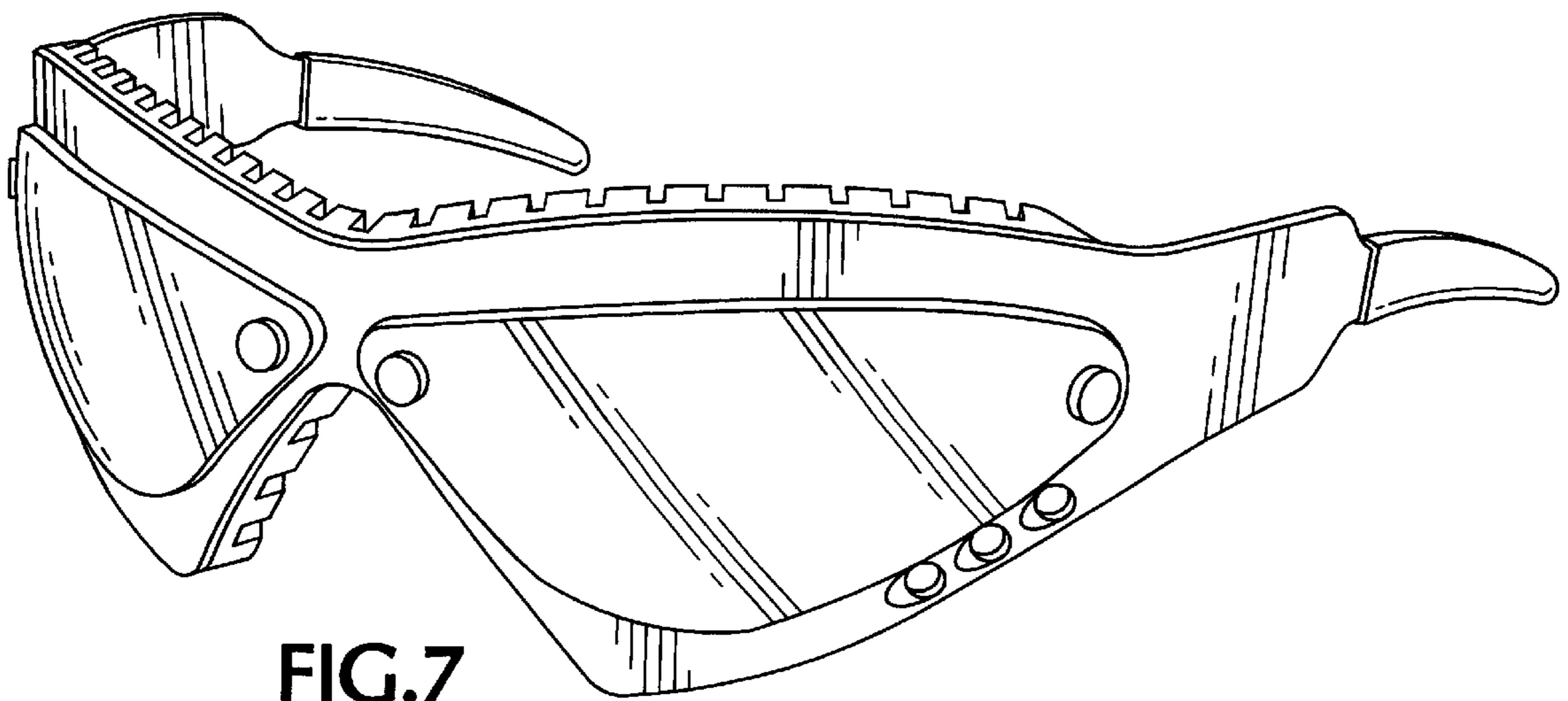


FIG. 7



FIG. 8

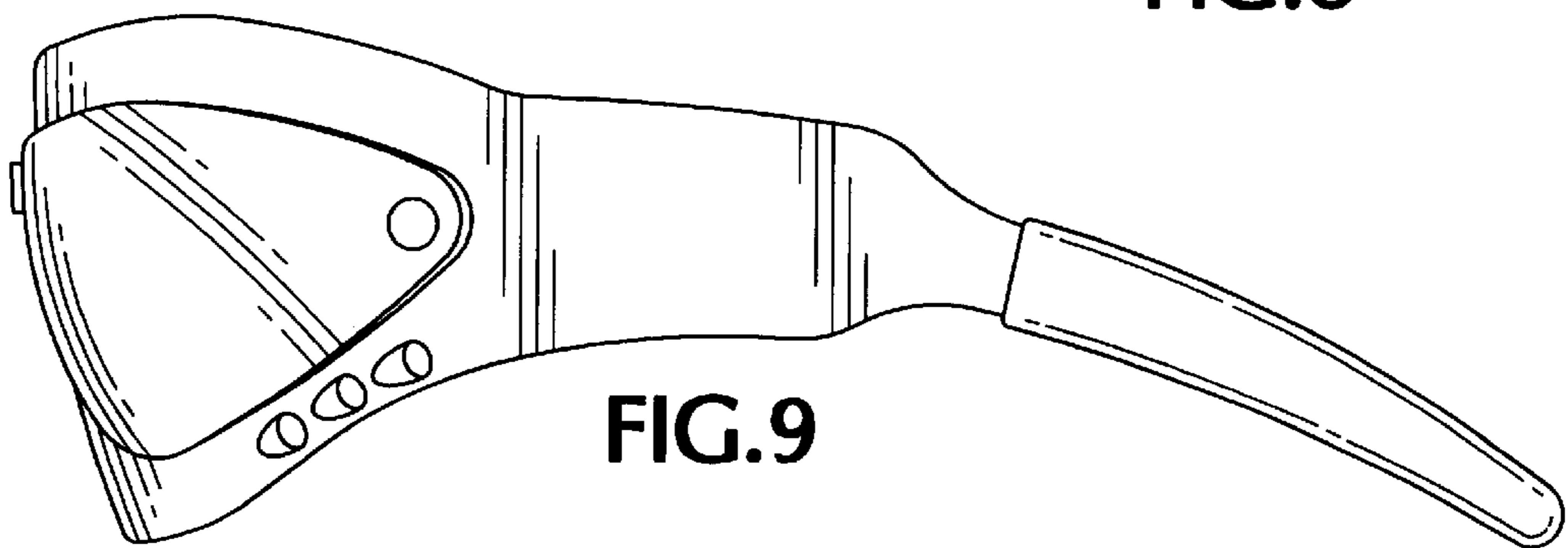


FIG. 9

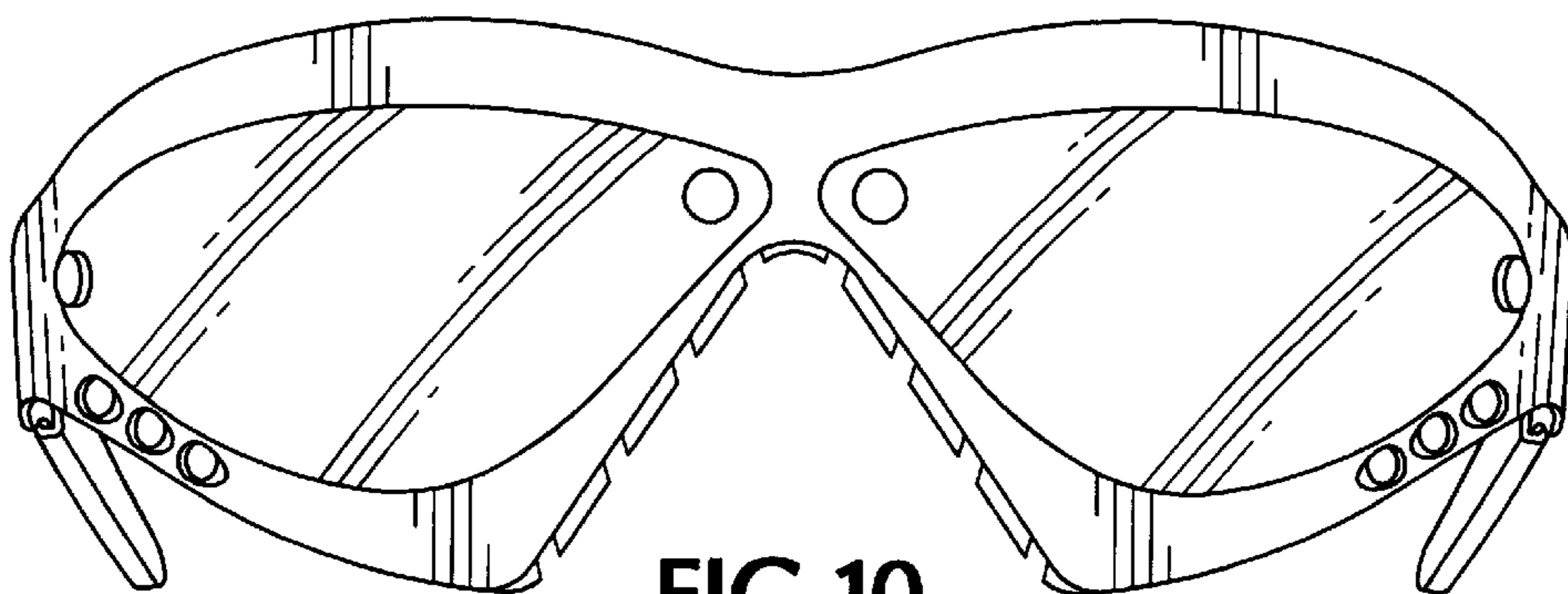


FIG. 10

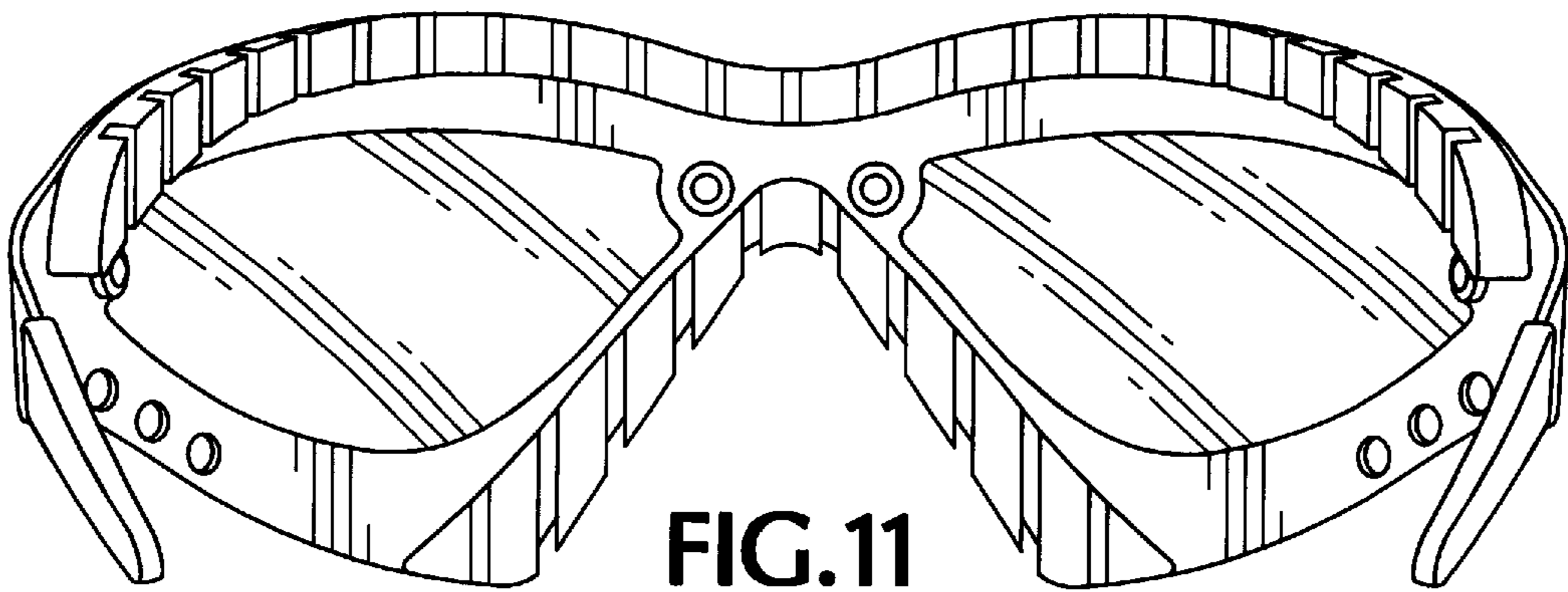


FIG. 11



FIG. 12