



US00D464667S

(12) **United States Design Patent**  
**Nagai**

(10) **Patent No.:** **US D464,667 S**

(45) **Date of Patent:** **\*\* Oct. 22, 2002**

(54) **PROJECTOR**

(75) Inventor: **Atsuo Nagai**, Tokyo (JP)

(73) Assignee: **Sony Corporation**, Tokyo (JP)

(\*\*) Term: **14 Years**

(21) Appl. No.: **29/149,833**

(22) Filed: **Oct. 19, 2001**

(51) **LOC (7) Cl.** ..... **16-02**

(52) **U.S. Cl.** ..... **D16/219; D16/230**

(58) **Field of Search** ..... **D16/200, 205,**  
**D16/219, 221, 225, 230, 231, 234; D21/514;**  
**353/115, 119, 122**

(56) **References Cited**

**U.S. PATENT DOCUMENTS**

3,269,793 A	*	8/1966	White, Jr.	.....	D16/230
D331,768 S	*	12/1992	Saeki et al.	.....	D16/225
D398,019 S		9/1998	Uehara	.....	D16/231
D400,902 S	*	11/1998	Yamazaki et al.	.....	D16/225
D409,644 S		5/1999	Uehara	.....	D16/234
D437,337 S	*	2/2001	Kawasaki et al.	.....	D16/230
D449,060 S	*	10/2001	Saeki et al.	.....	D16/230

**OTHER PUBLICATIONS**

Press Release "VPL-CX1, VPL-CX10", 1 sheet, Sony Corporation (Aug. 1999).

Press Release "VPL-FE100J", 1 sheet, Sony Corporation (Sep. 2000).

Web pages "Multimedia Projector", 2 sheets, Mitsubishi Electric (Sep. 2000).

\* cited by examiner

*Primary Examiner*—Adir Aronovich

(74) *Attorney, Agent, or Firm*—Rader, Fishman & Grauer, PLLC

(57) **CLAIM**

The ornamental design for a projector, as shown and described.

**DESCRIPTION**

FIG. 1 is a perspective view of a projector showing my new design;

FIG. 2 is a front elevational view thereof;

FIG. 3 is a rear elevational view thereof;

FIG. 4 is a left side elevational view thereof;

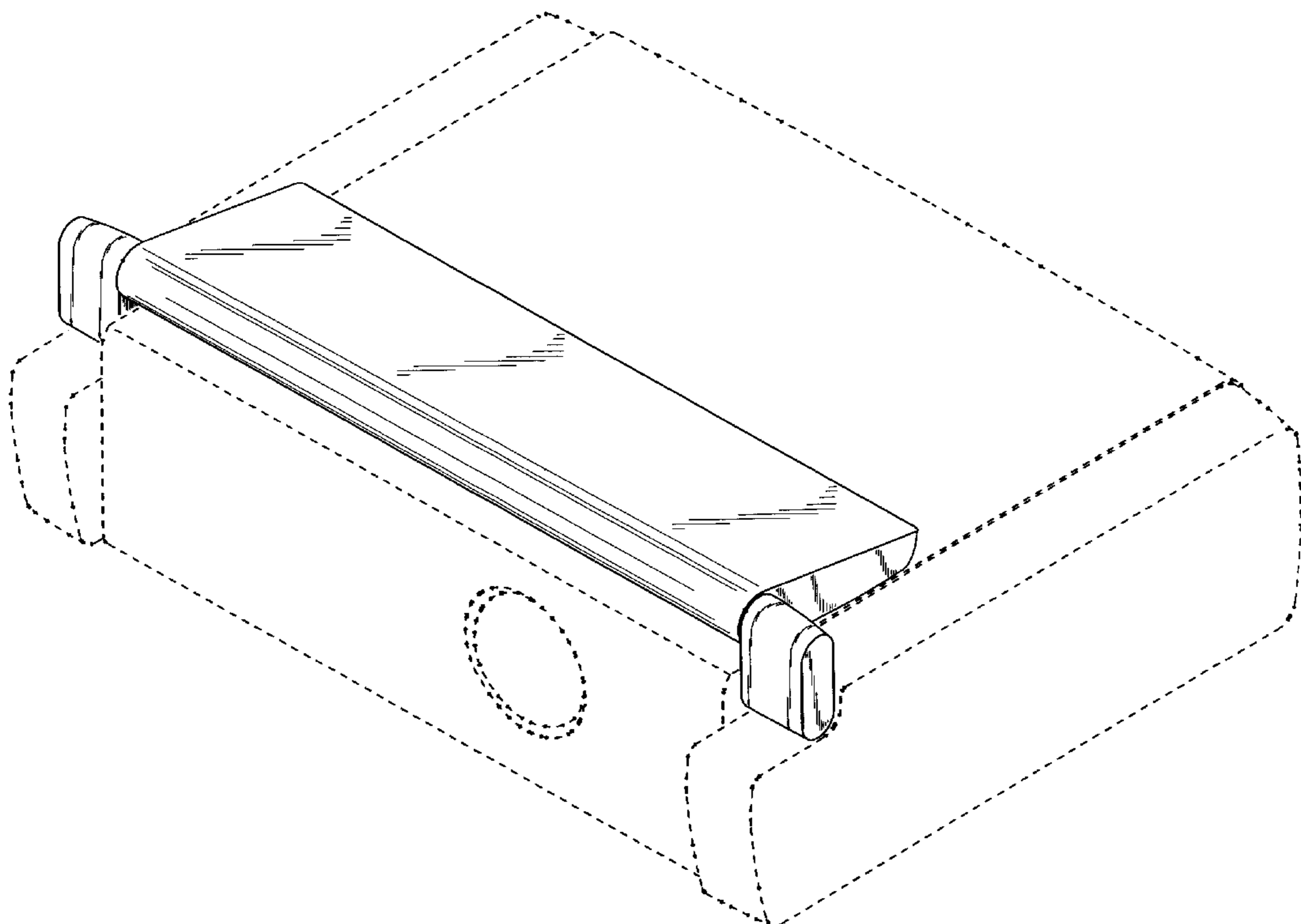
FIG. 5 is a right side elevational view thereof;

FIG. 6 is a top plan view thereof; and,

FIG. 7 is a bottom plan view thereof.

Portions in broken lines are for illustrative purposes only and form no part of the claimed design.

**1 Claim, 5 Drawing Sheets**



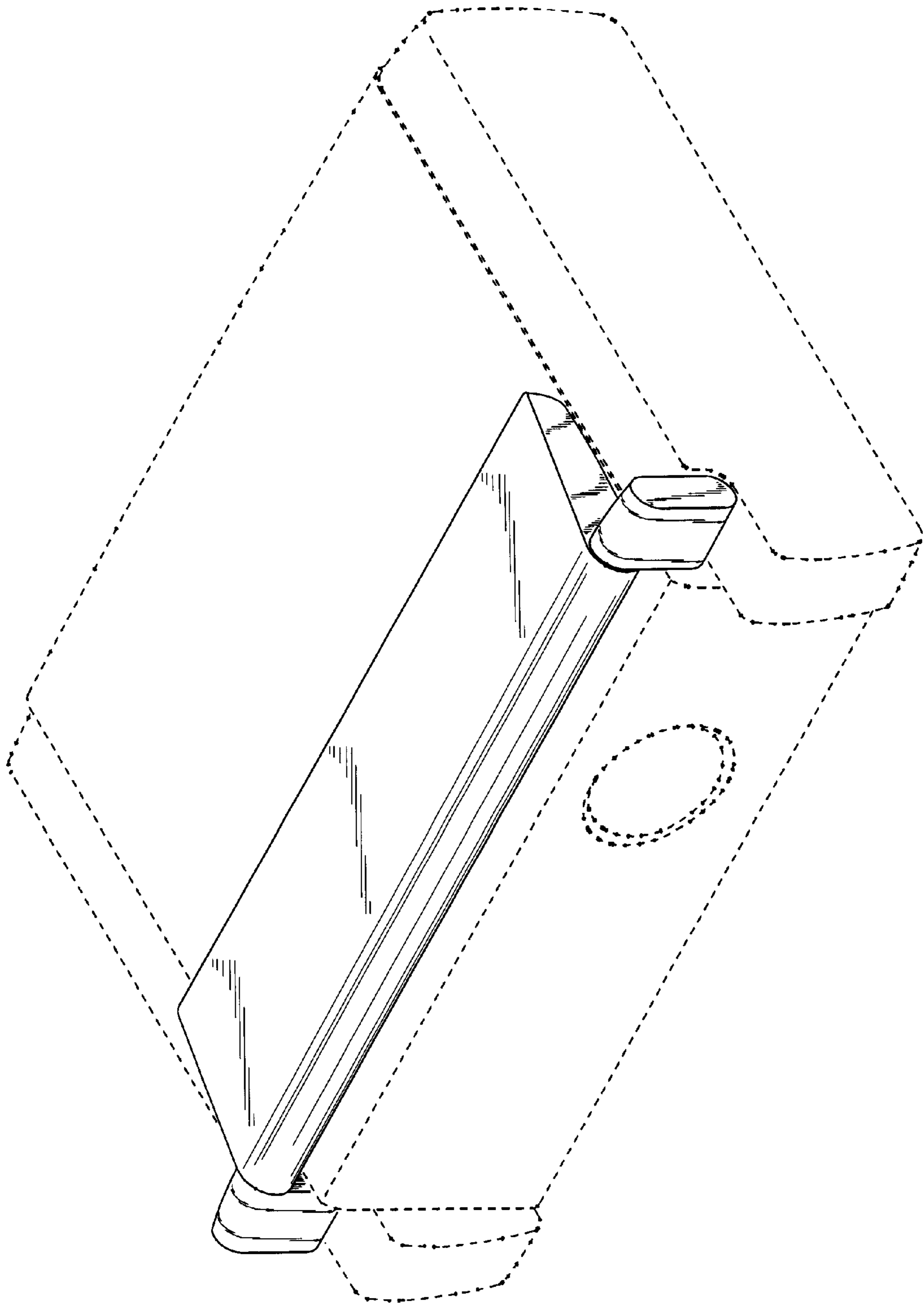
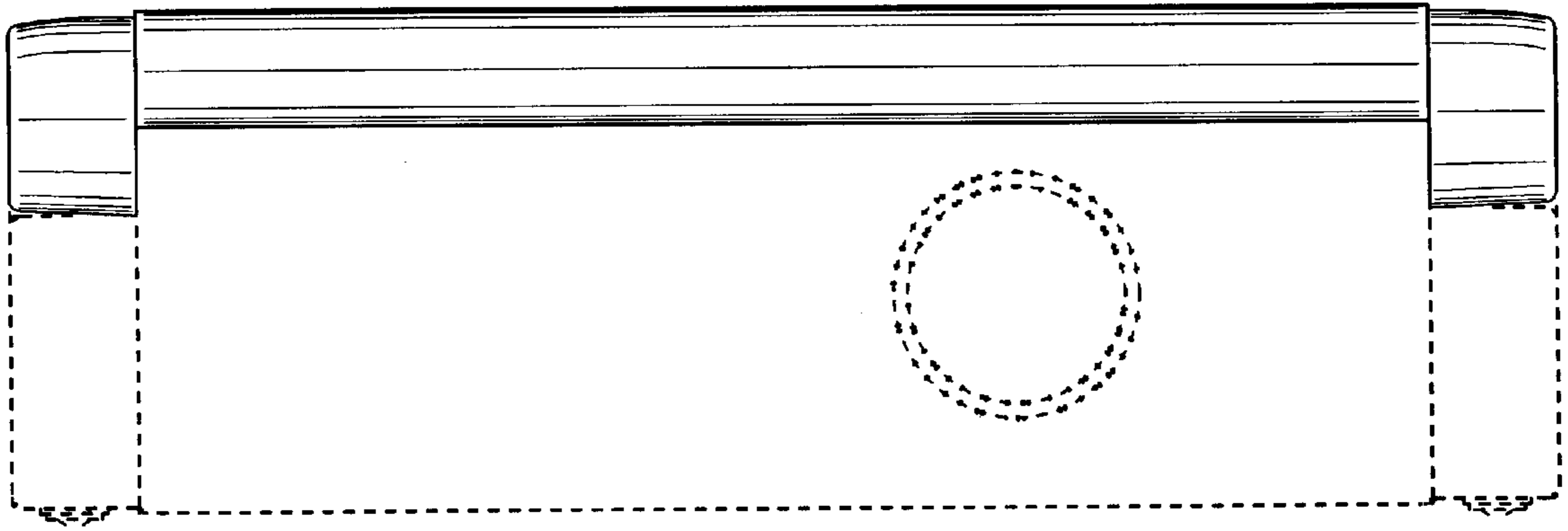
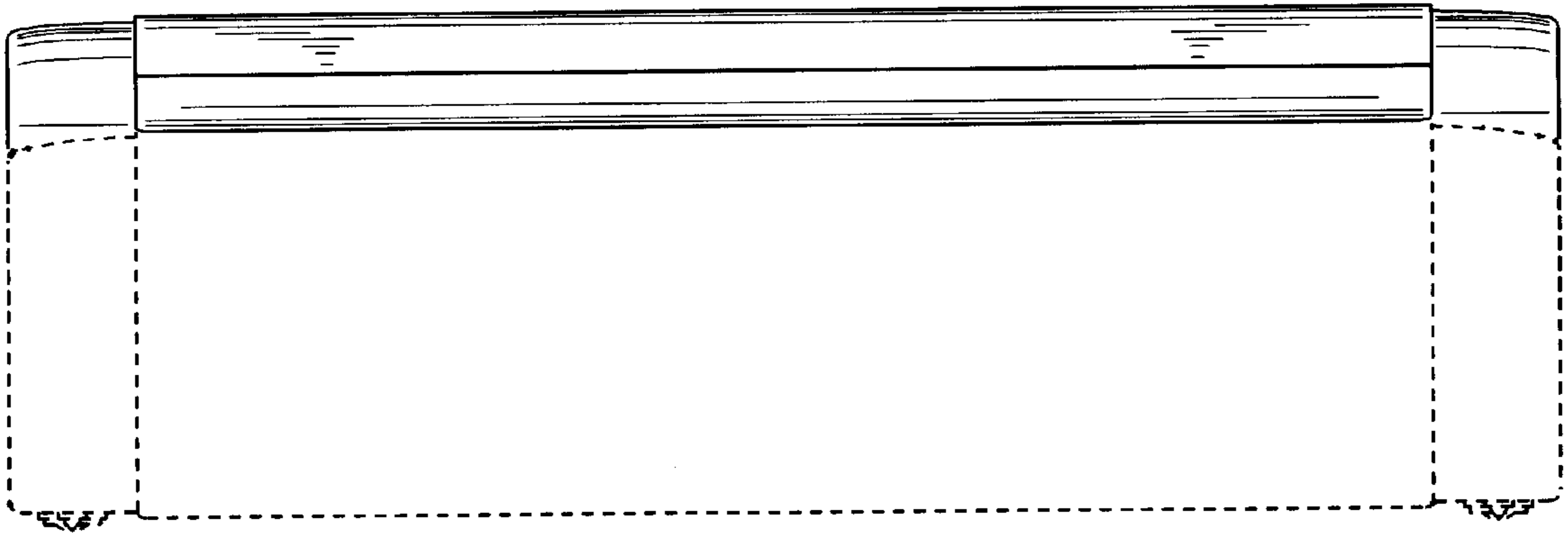


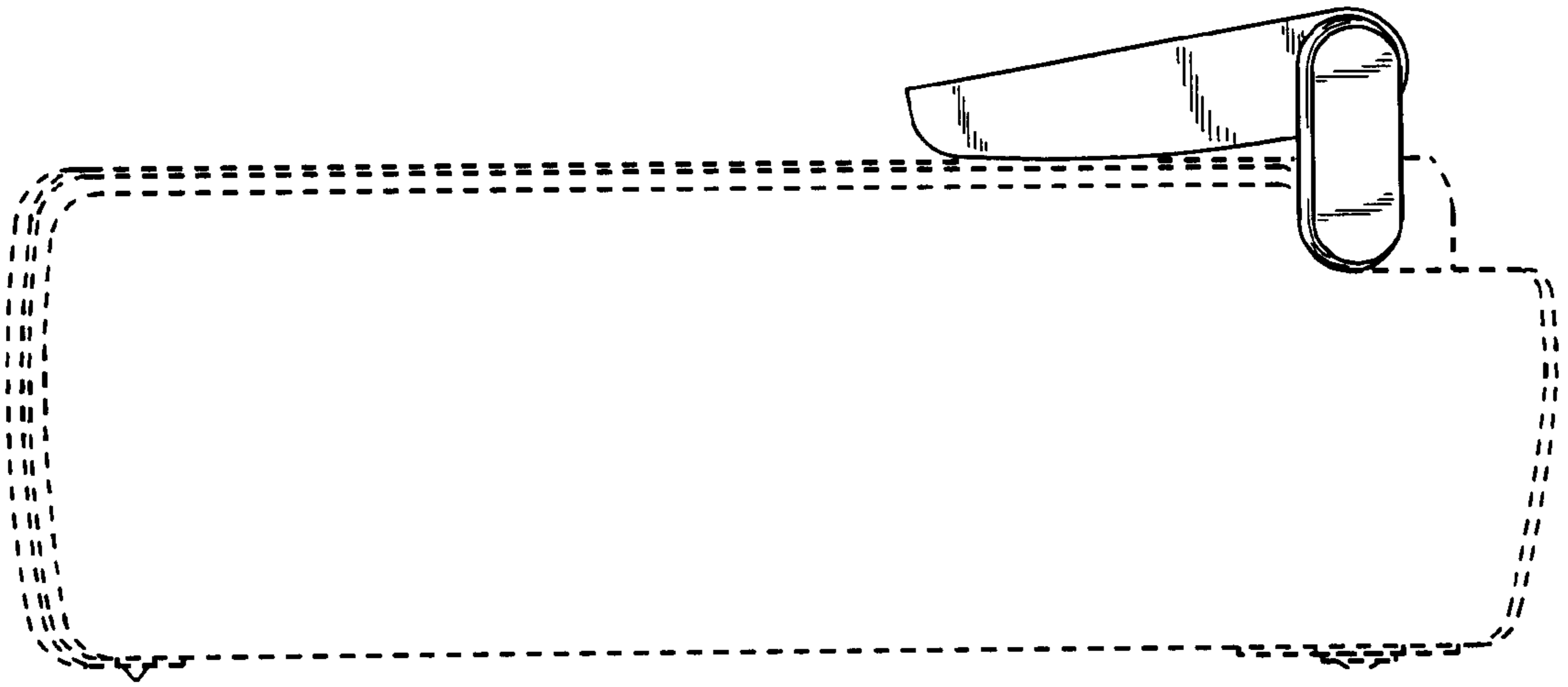
Fig. 1



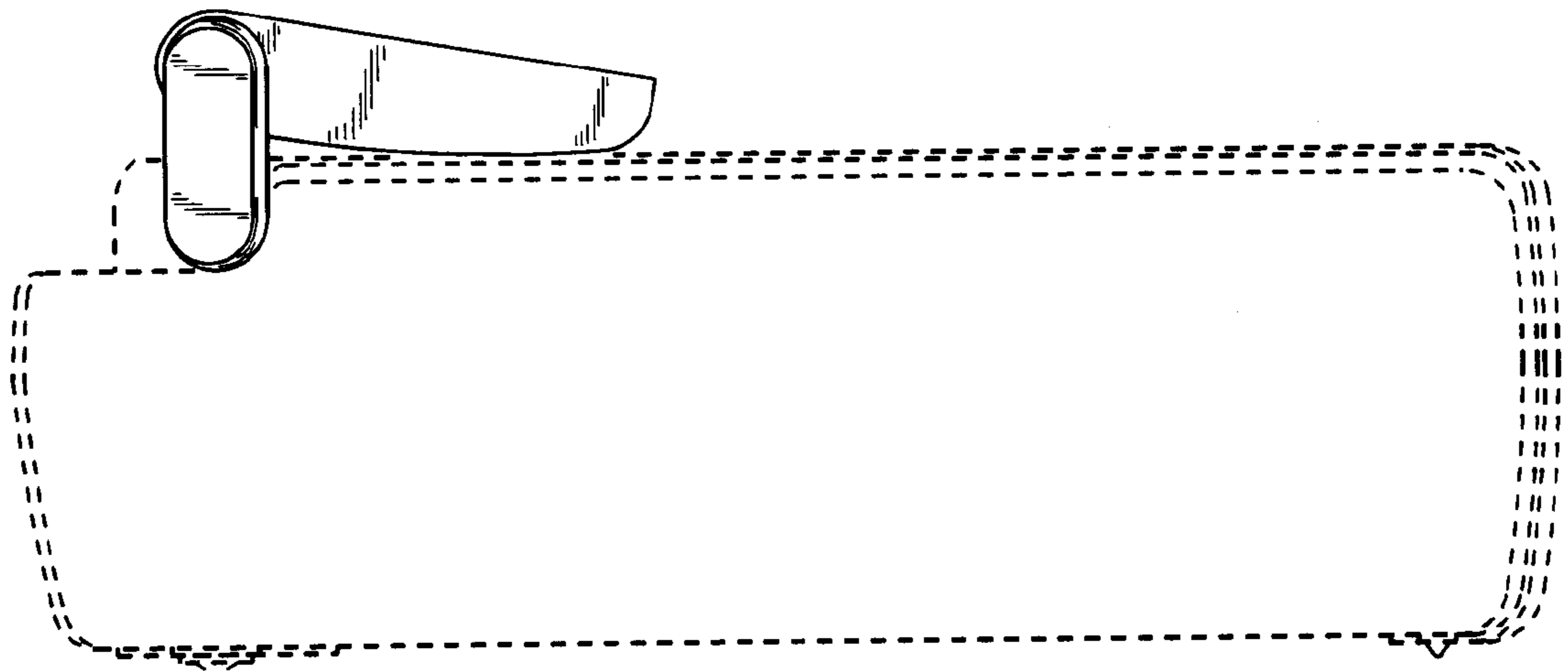
**Fig. 2**



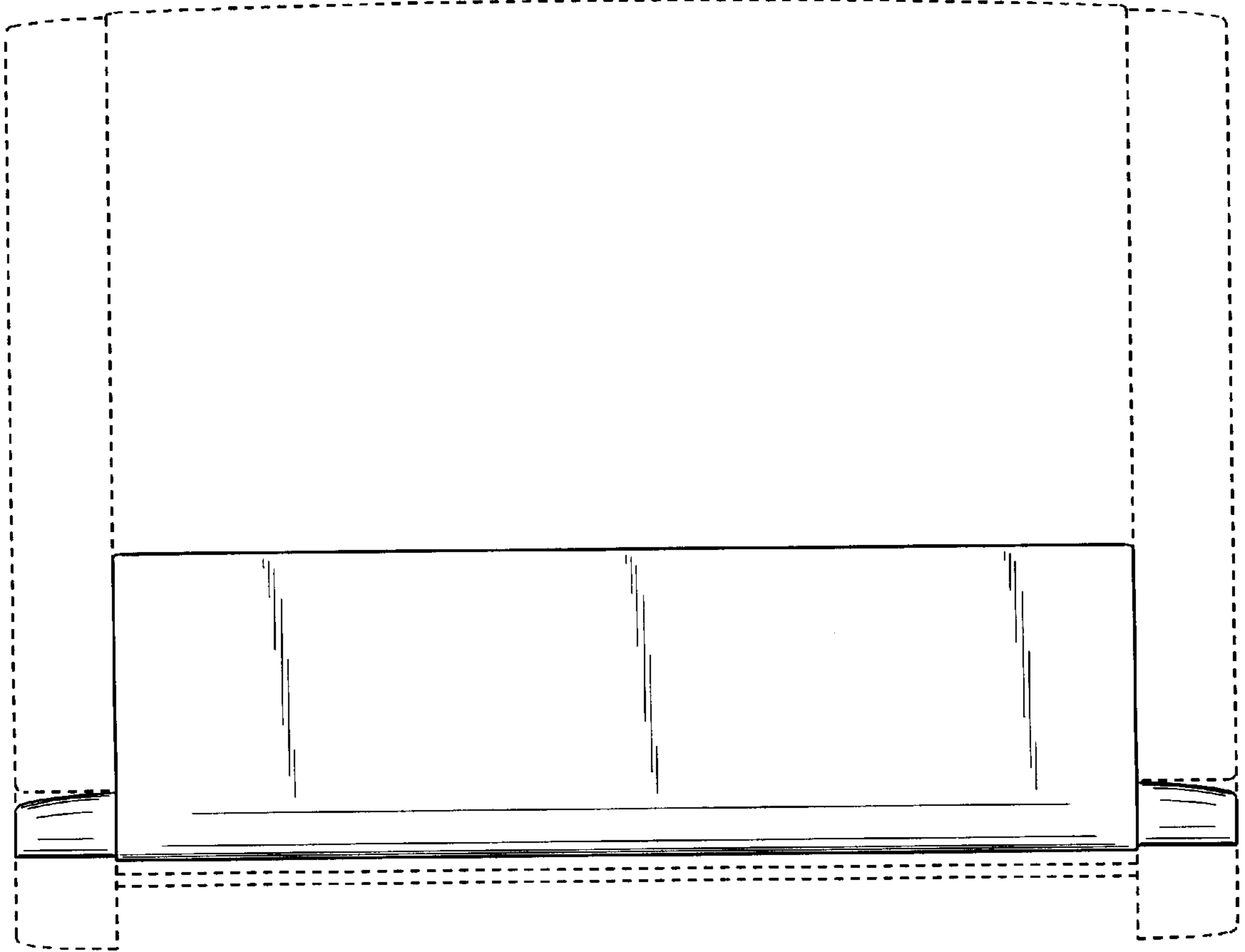
**Fig. 3**



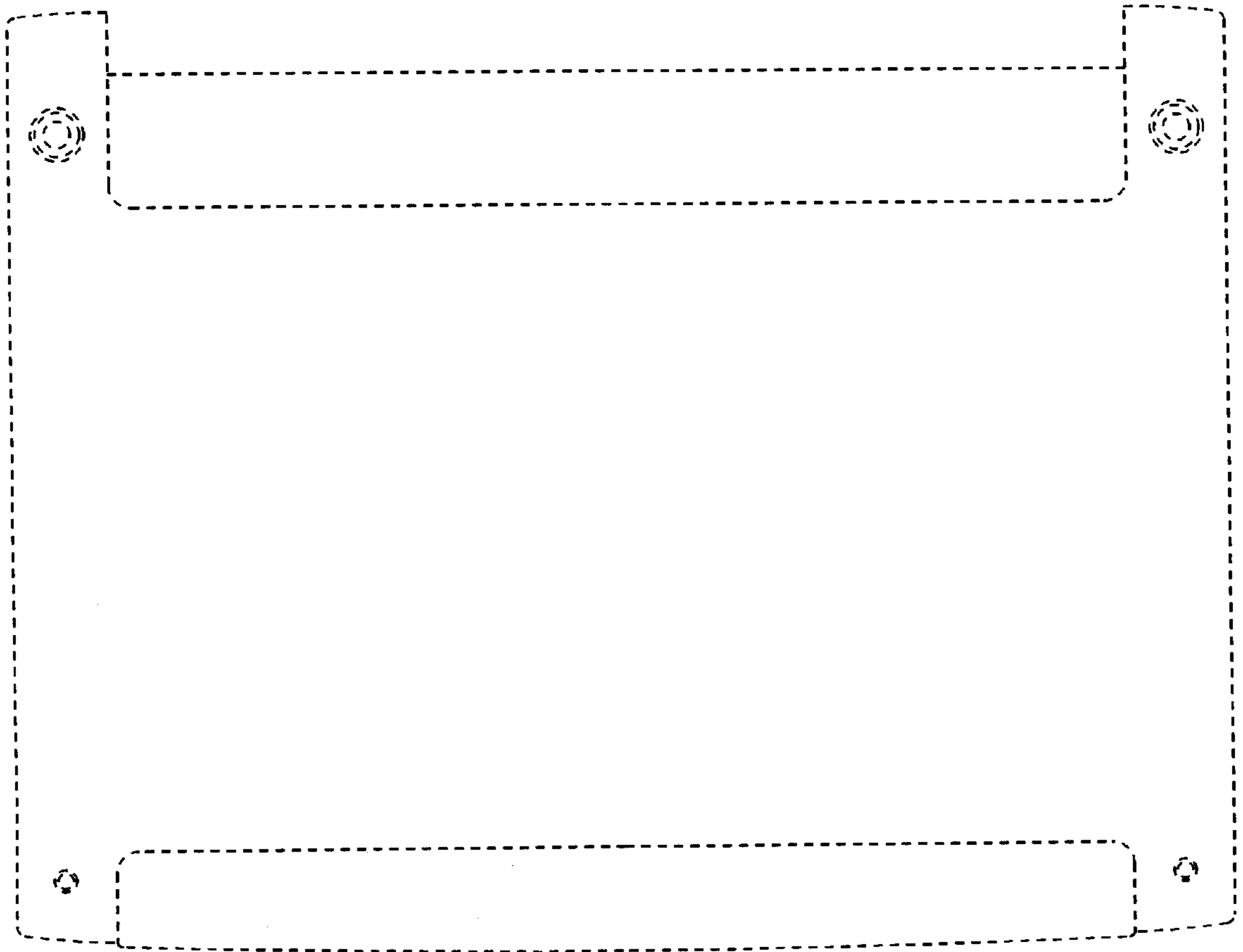
**Fig. 4**



**Fig. 5**



**Fig. 6**



**Fig. 7**