



US00D464665S

(12) **United States Design Patent**
Yoshida

(10) **Patent No.:** **US D464,665 S**

(45) **Date of Patent:** **** Oct. 22, 2002**

(54) **ELECTRONIC STILL CAMERA**

(75) Inventor: **Koji Yoshida, Tokyo (JP)**

(73) Assignee: **Fuji Photo Film Co., Ltd., Kanagawa (JP)**

(**) Term: **14 Years**

(21) Appl. No.: **29/151,295**

(22) Filed: **Dec. 7, 2001**

(30) **Foreign Application Priority Data**

Jun. 8, 2001 (JP) 2001-016726

(51) **LOC (7) Cl.** **16-01**

(52) **U.S. Cl.** **D16/202; D16/212**

(58) **Field of Search** D16/200-205,
D16/208, 209, 211, 212, 218; 348/373-376;
358/906, 909.1; 396/349, 448, 449

(56) **References Cited**

U.S. PATENT DOCUMENTS

5,701,533 A * 12/1997 Suzuki et al. 396/349
5,708,891 A * 1/1998 Ando et al. 396/448

D410,019 S * 5/1999 Shimobayashi et al. ... D16/209
D412,518 S * 8/1999 Naito D16/212
D415,511 S * 10/1999 Funakoshi et al. D16/209
D444,162 S 6/2001 Senda D16/202
D449,324 S * 10/2001 Iue et al. D16/202

* cited by examiner

Primary Examiner—Adir Aronovich

(74) *Attorney, Agent, or Firm*—Young & Thompson

(57) **CLAIM**

The ornamental design for an electronic still camera, as shown and described.

DESCRIPTION

FIG. 1 is a front perspective view of an electronic still camera of the design;
FIG. 2 is a front view thereof;
FIG. 3 is a rear view thereof;
FIG. 4 is atop plan view thereof;
FIG. 5 is a bottom plan view thereof;
FIG. 6 is a side view thereof from the left of FIG. 2;
FIG. 7 is a side view thereof from the right of FIG. 2; and,
FIG. 8 is a front perspective view in non-used state.

1 Claim, 4 Drawing Sheets

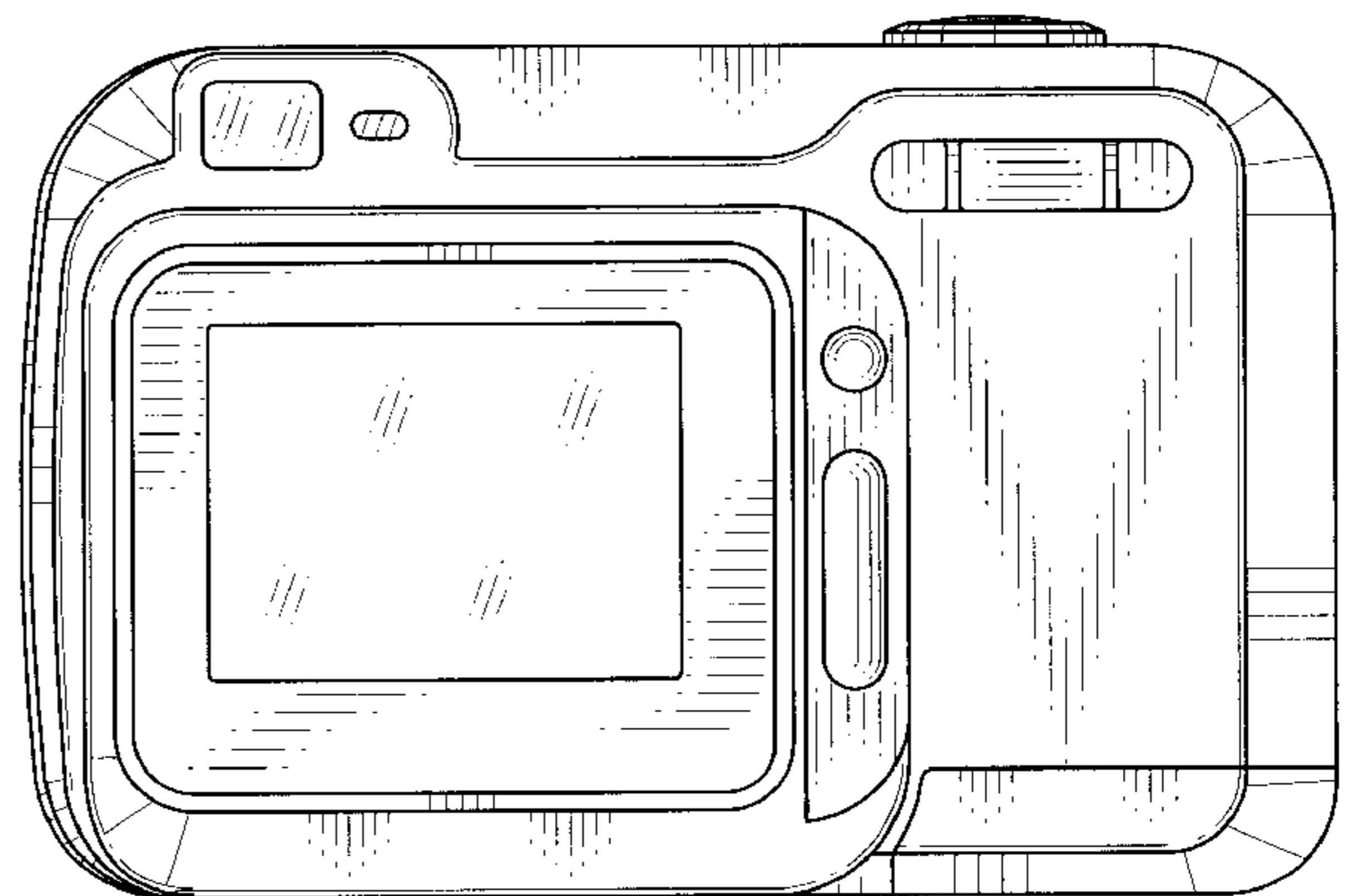
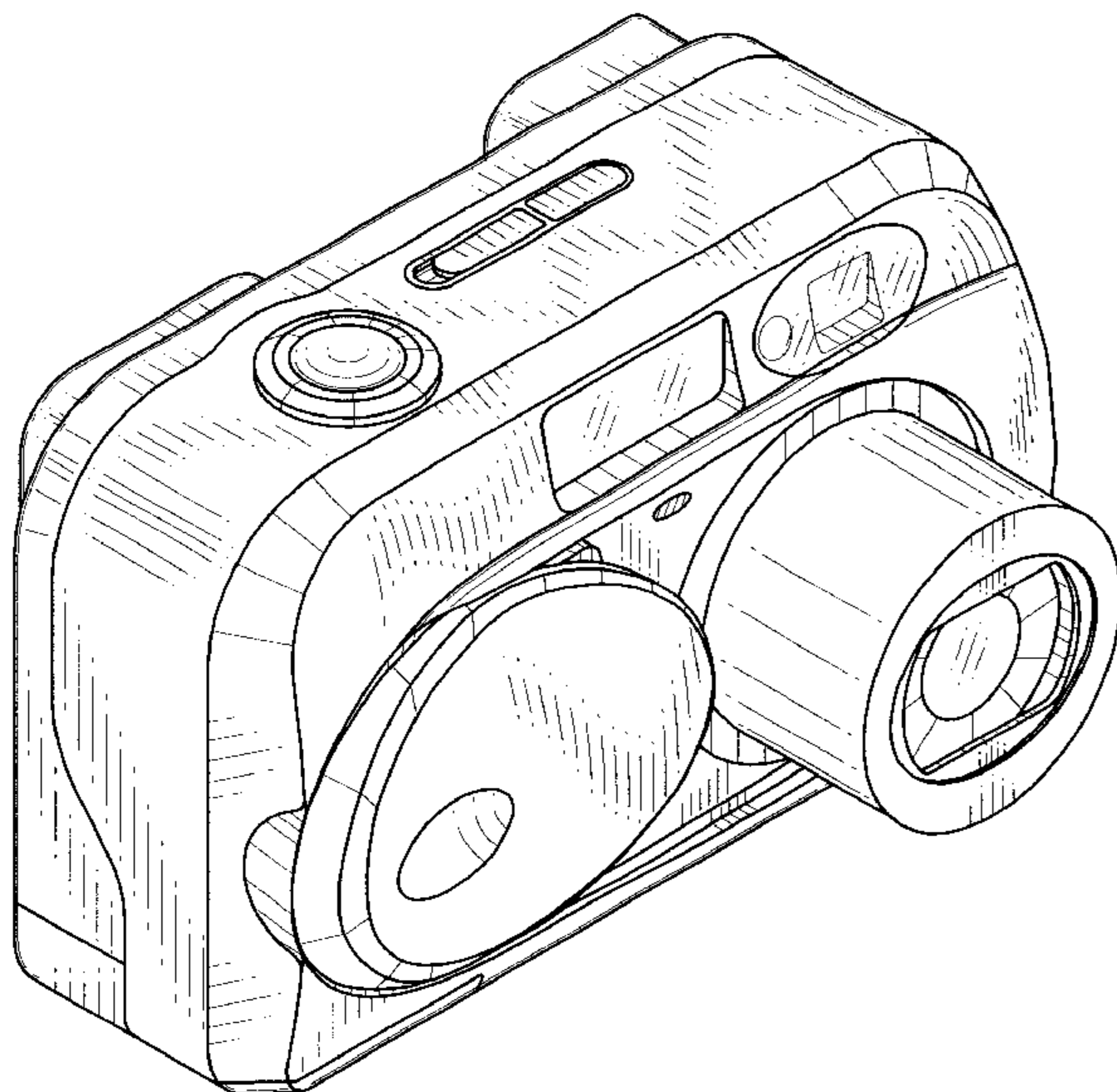


FIG. 1

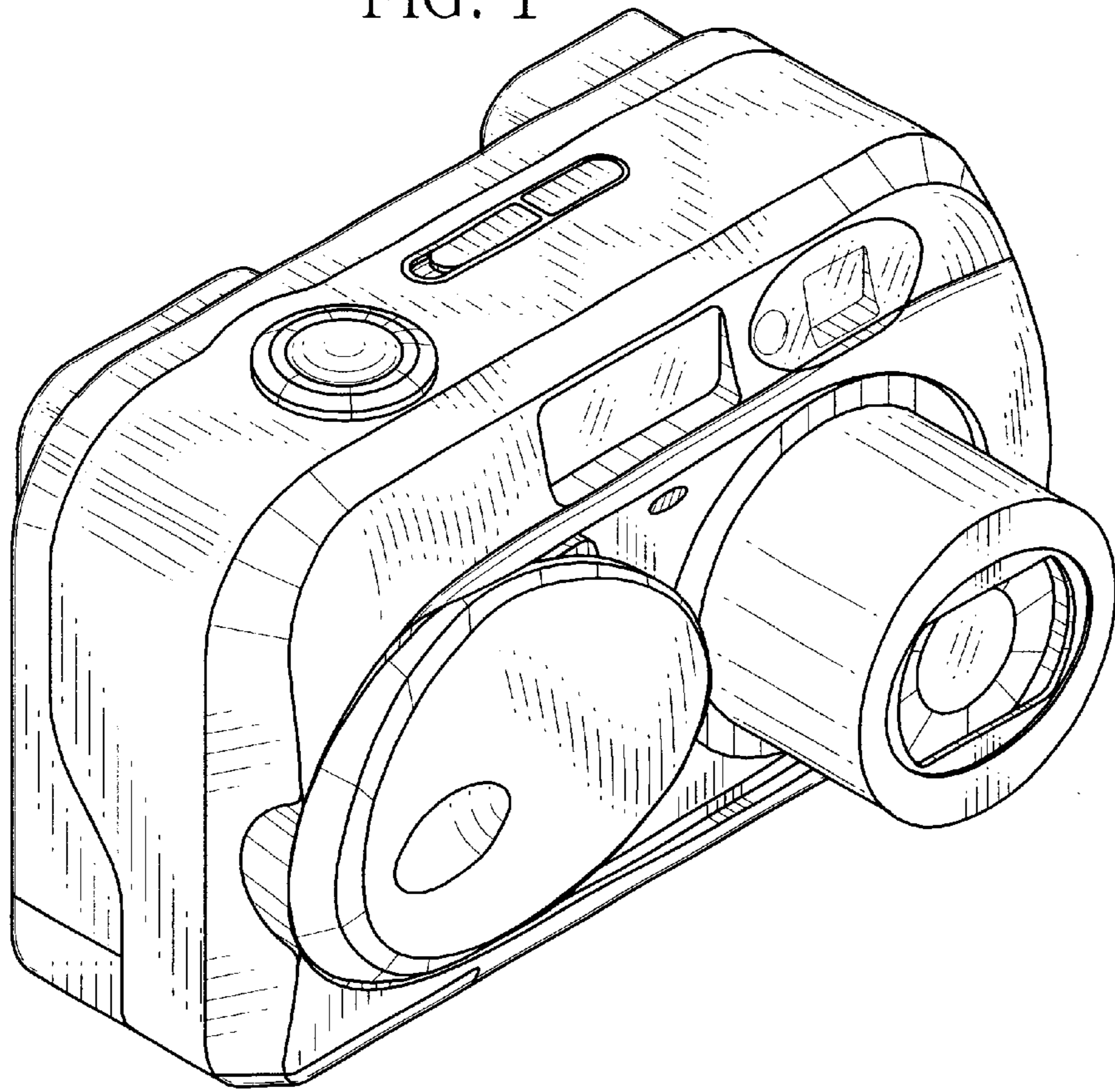


FIG. 2

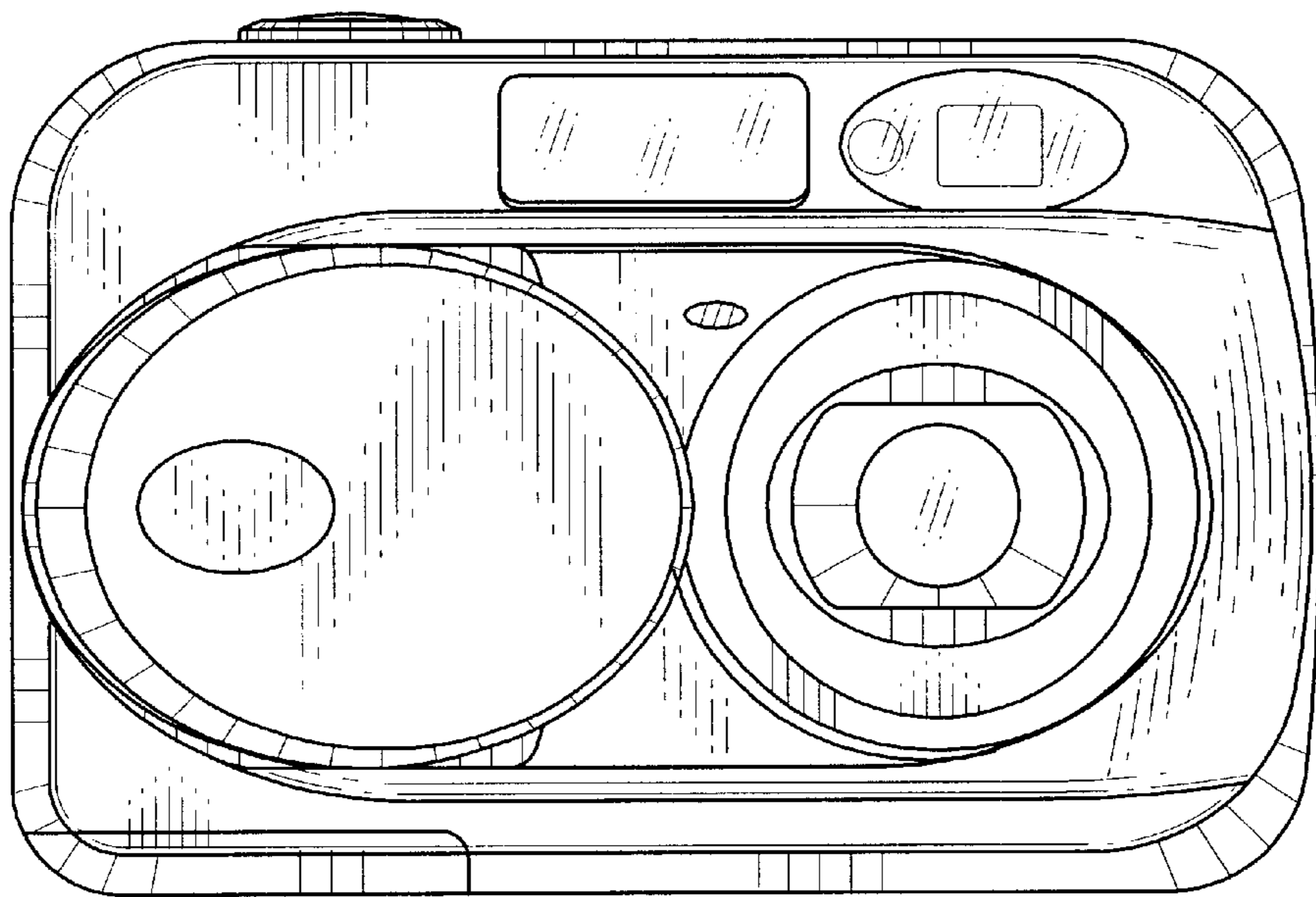


FIG. 3

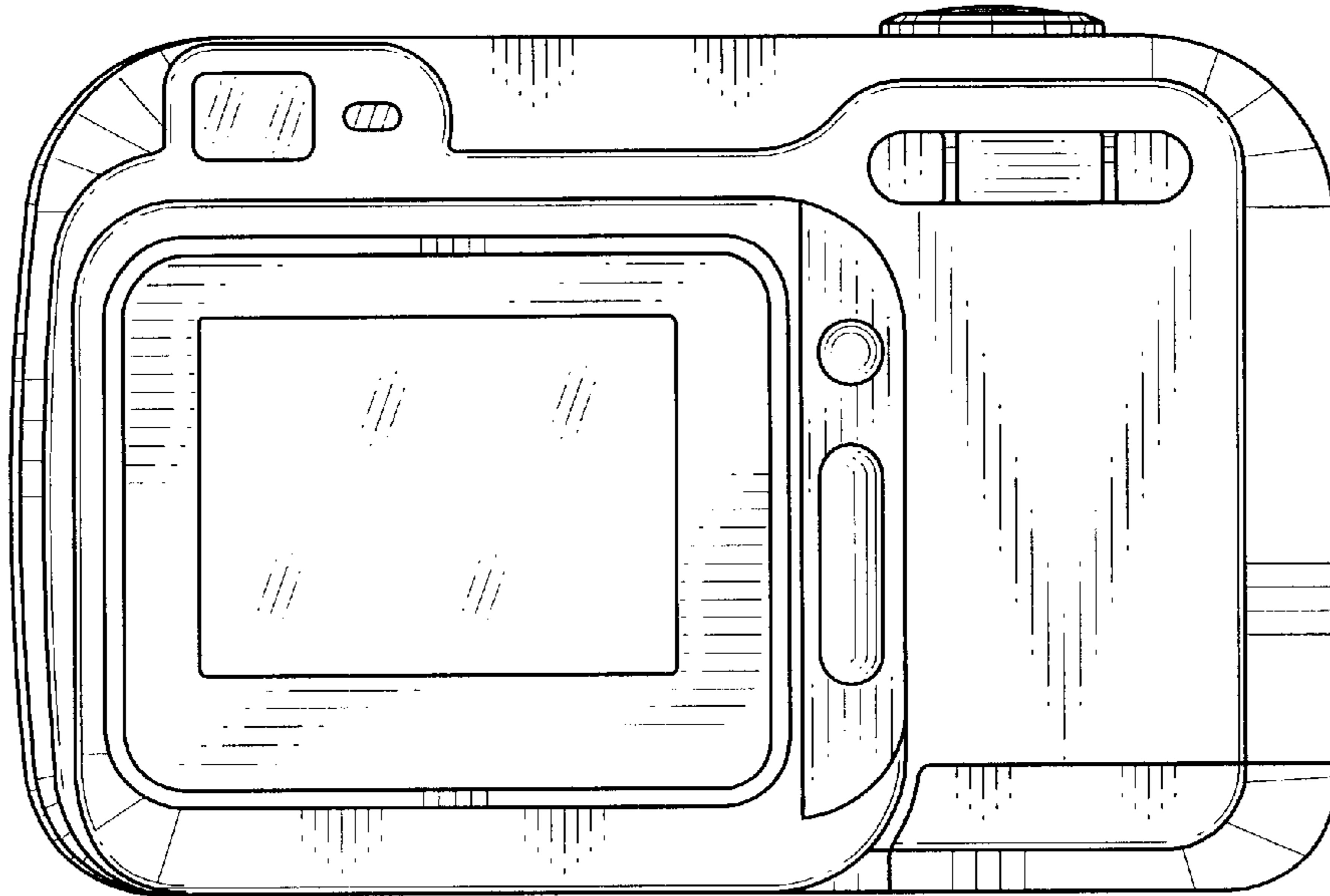


FIG. 4

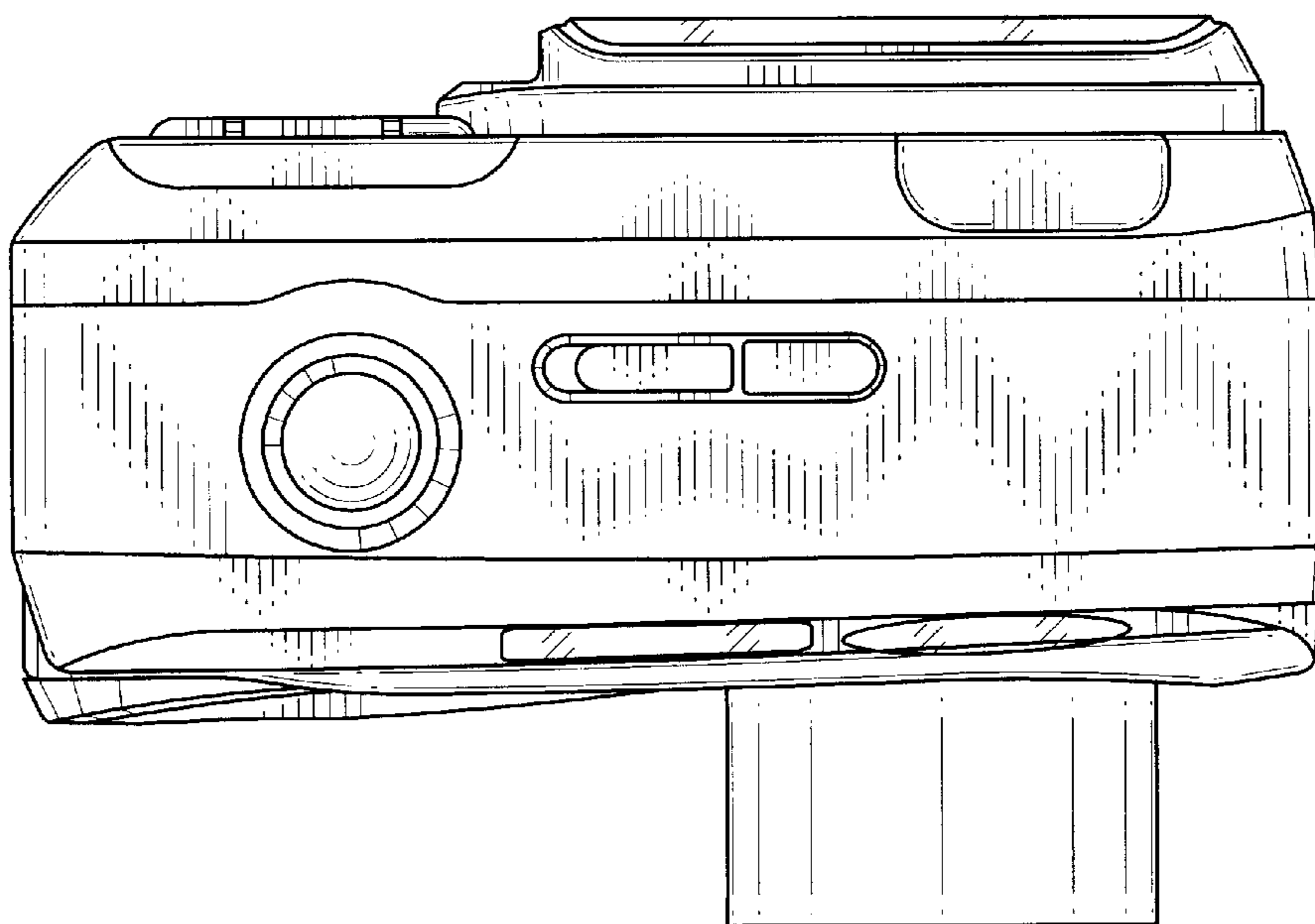


FIG. 5

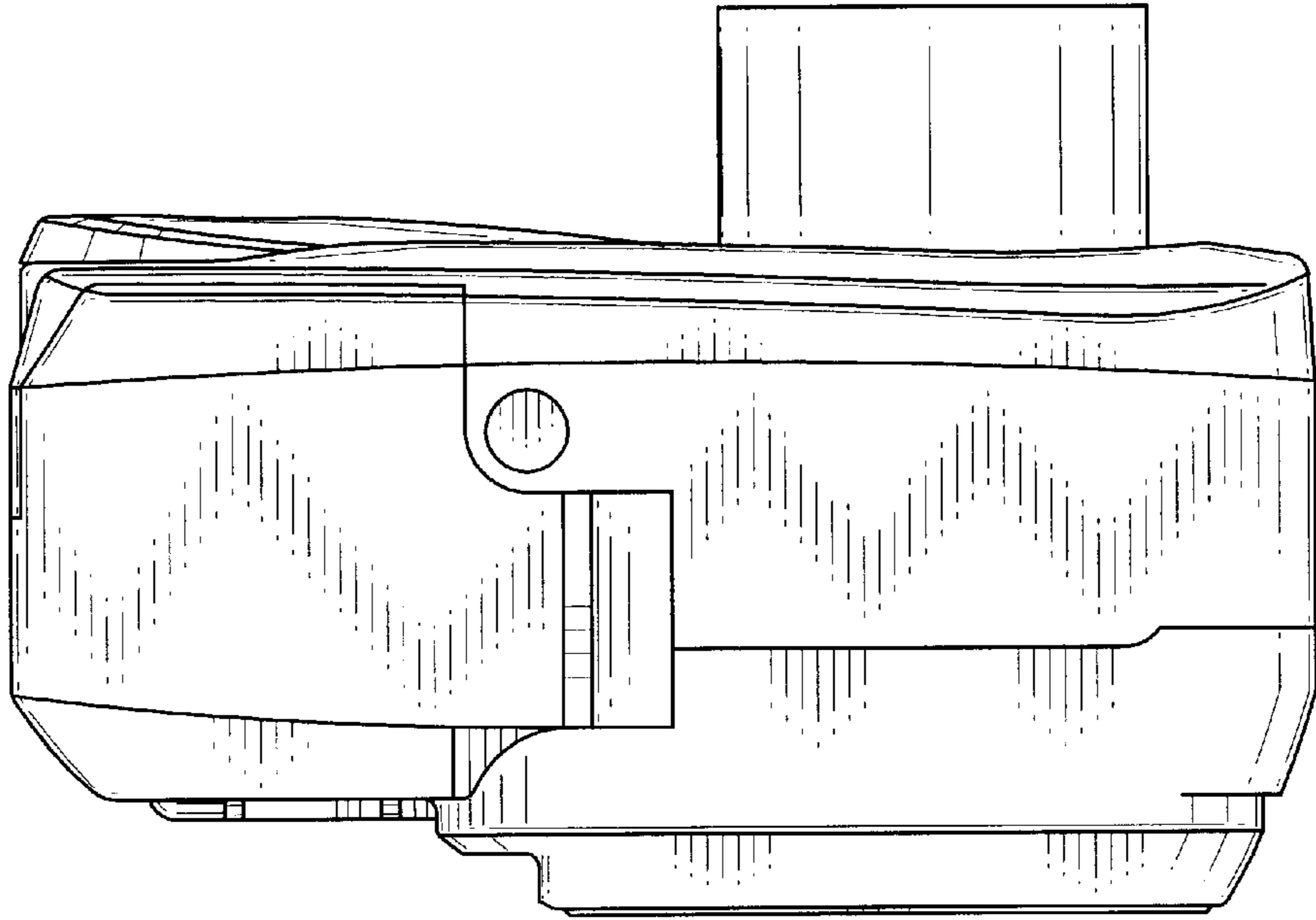


FIG. 6

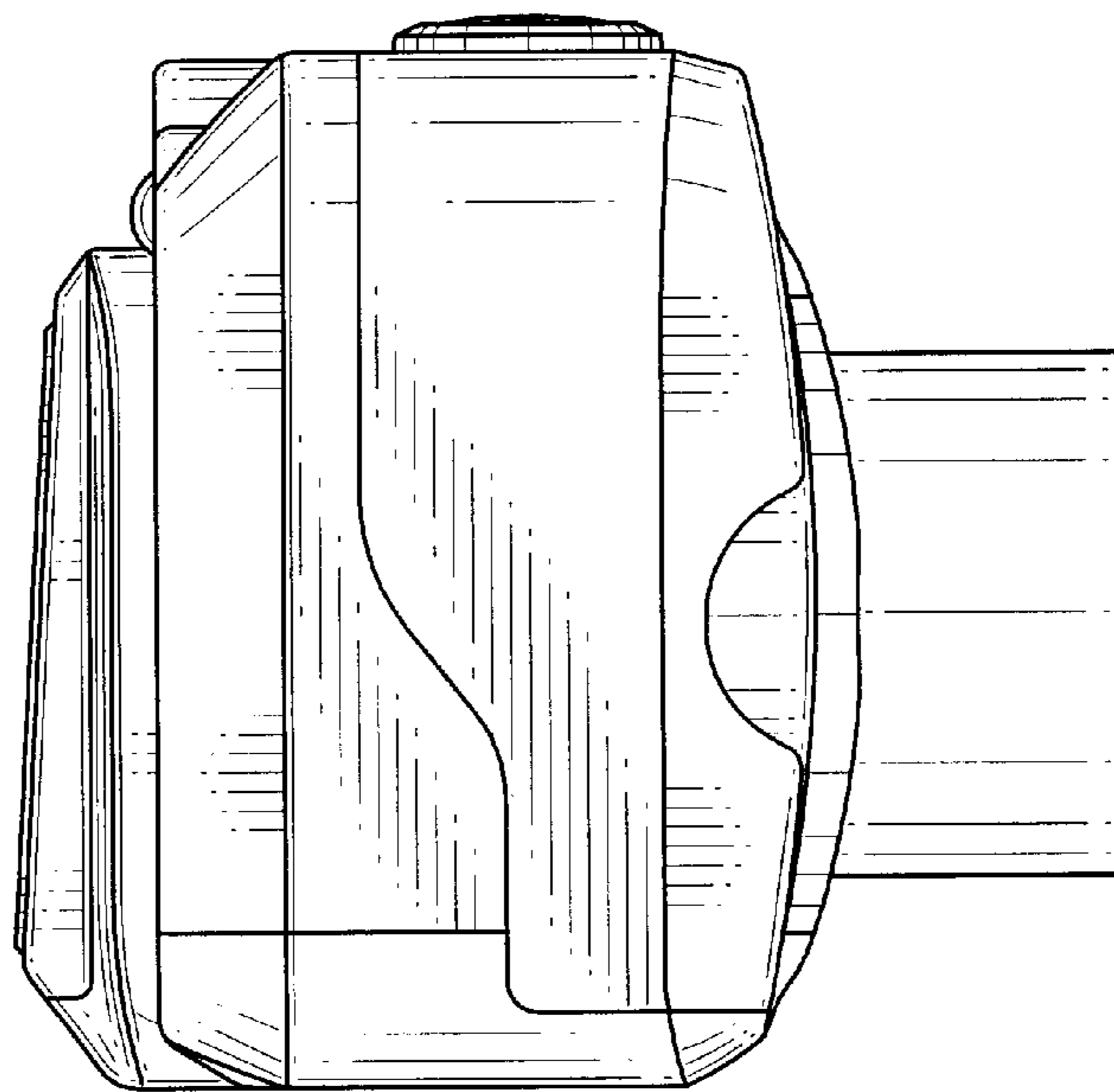


FIG. 7

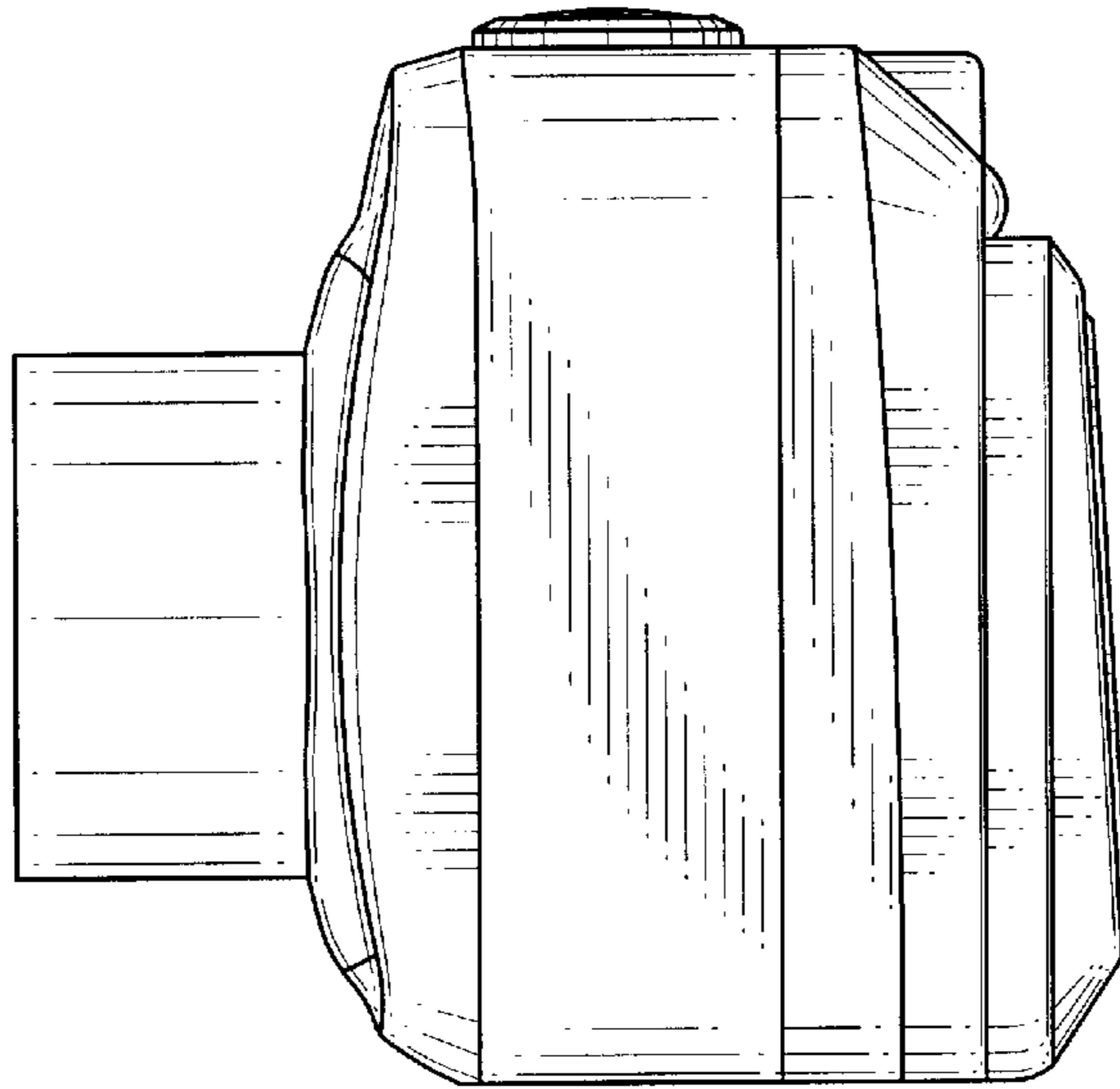


FIG. 8

