



US00D464657S

(12) **United States Design Patent**
Goto

(10) **Patent No.:** **US D464,657 S**

(45) **Date of Patent:** **** Oct. 22, 2002**

(54) **INTERFACE UNIT FOR COMPUTER**

JP 1100856 2/2001

(75) Inventor: **Teiyu Goto**, Tokyo (JP)

OTHER PUBLICATIONS

(73) Assignee: **Sony Computer Entertainment Inc.**,
Tokyo (JP)

“RGX-CFW3H,” ASCII Magazine, p. 159, ASCII Corp.
(Aug. 2001) (Japanese Patent Office Reference No.
HA13011953).

(**) Term: **14 Years**

“CS-202W,” EYE.COM Magazine, p. 153, ASCII Corp.
(Jan. 1997) (Japanese Patent Office Reference No.
HA08028449).

(21) Appl. No.: **29/150,236**

* cited by examiner

(22) Filed: **Nov. 15, 2001**

(30) **Foreign Application Priority Data**

Primary Examiner—Kay H. Chin

Sep. 10, 2001 (JP) 2001-026564

(74) *Attorney, Agent, or Firm*—Rader, Fishman & Grauer,
PLLC

(51) **LOC (7) Cl.** **14-02**

(57) **CLAIM**

(52) **U.S. Cl.** **D14/433; D14/242**

The ornamental design for an interface unit for computer, as
shown and described.

(58) **Field of Search** D14/432-439,
D14/242, 191; 439/610, 620; 361/681-686

DESCRIPTION

(56) **References Cited**

FIG. 1 is a front elevational view of an interface unit for
computer showing my design;
FIG. 2 is a rear elevational view thereof;
FIG. 3 is a left side elevational view thereof;
FIG. 4 is a right side elevational view thereof;
FIG. 5 is a top plan view thereof;
FIG. 6 is a bottom plan view thereof;
FIG. 7 is an enlarged left side elevational view thereof;
FIG. 8 is a perspective view thereof; and,
FIG. 9 is a partially enlarged perspective view taken along
the line 9—9 of FIG. 1.
Portions in broken lines are for illustrative purpose only and
form no part of claimed design.

U.S. PATENT DOCUMENTS

D331,395 S	*	12/1992	Lou	D14/433
D340,059 S	*	10/1993	Wetzel et al.	D14/433
D345,980 S		4/1994	Scheid et al.	D14/191
D361,332 S	*	8/1995	Scheid et al.	D14/191
D366,047 S	*	1/1996	Rak et al.	D14/242

FOREIGN PATENT DOCUMENTS

GB	2085406	11/1999
JP	872595	7/1993
JP	889840	2/1994
JP	890760	2/1994
JP	1009939	5/1998
JP	1085948	9/2000

1 Claim, 4 Drawing Sheets

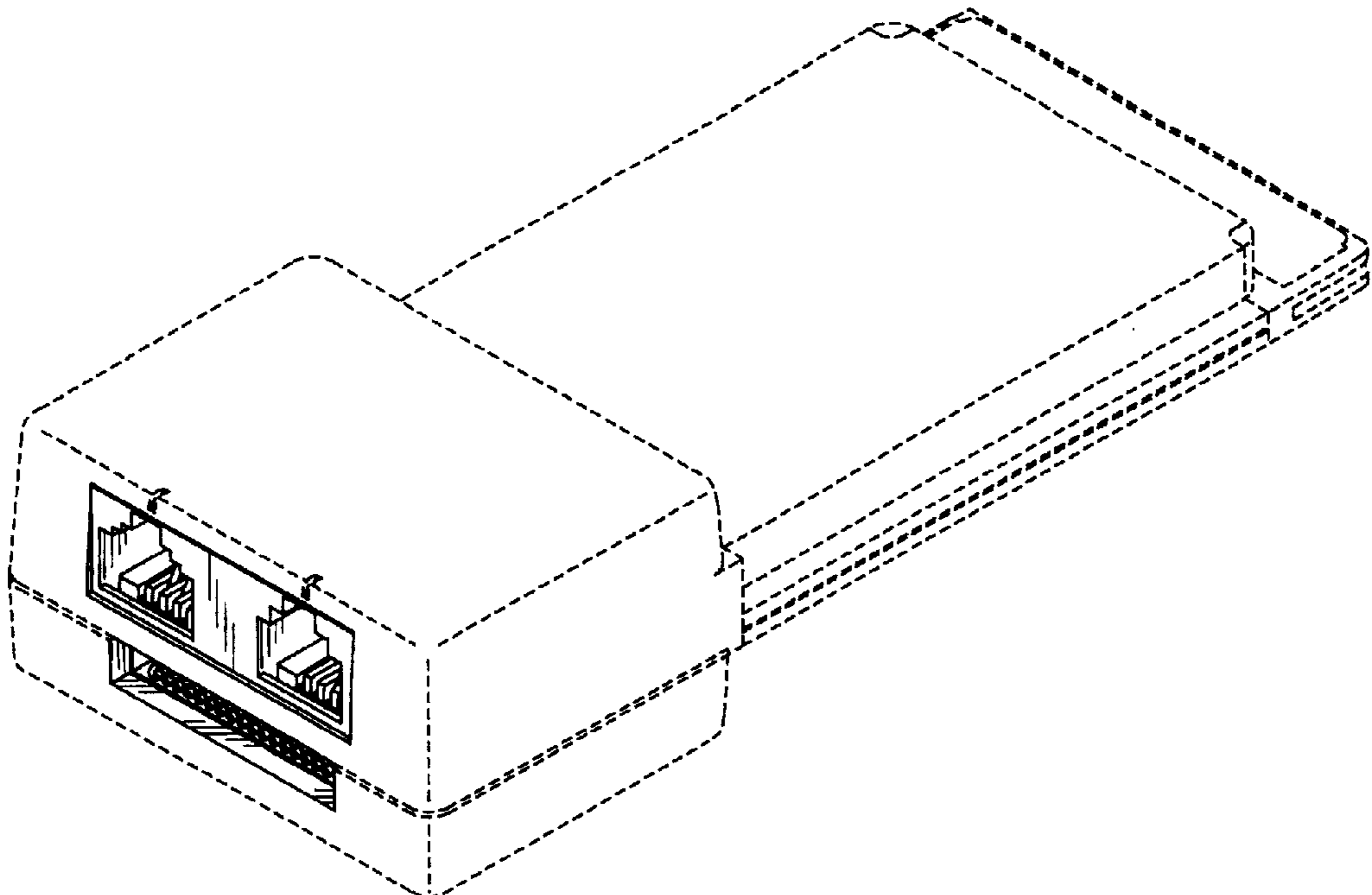


FIG. 1

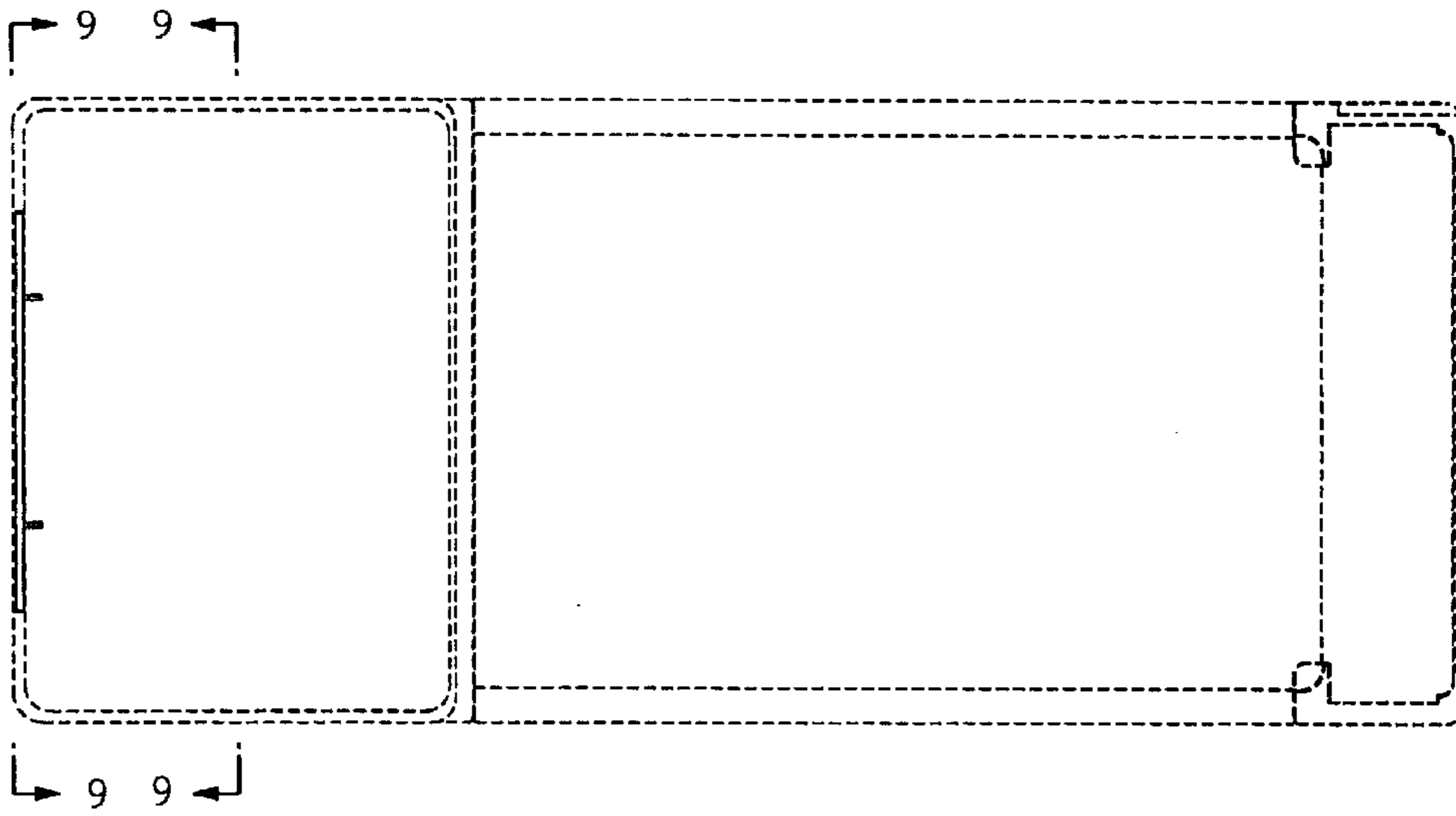


FIG. 2

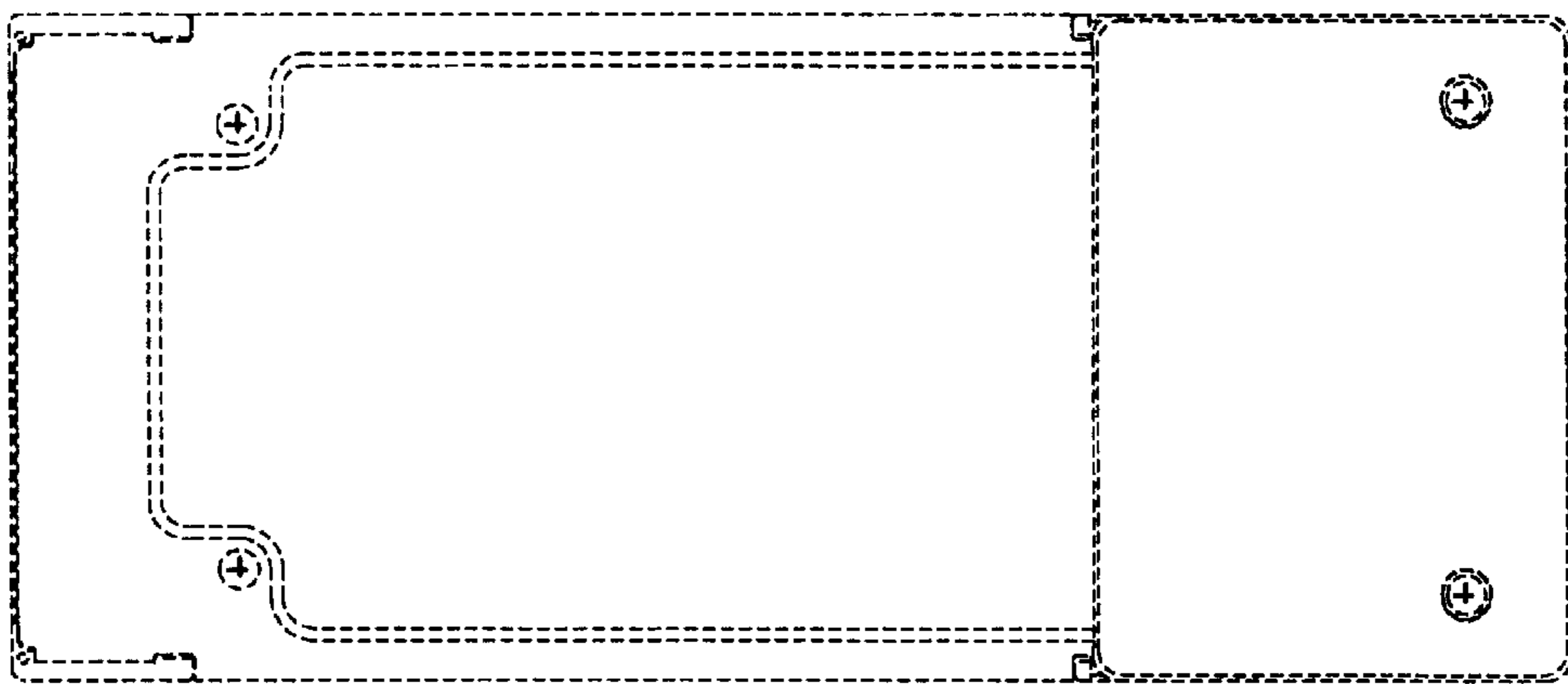


FIG. 3

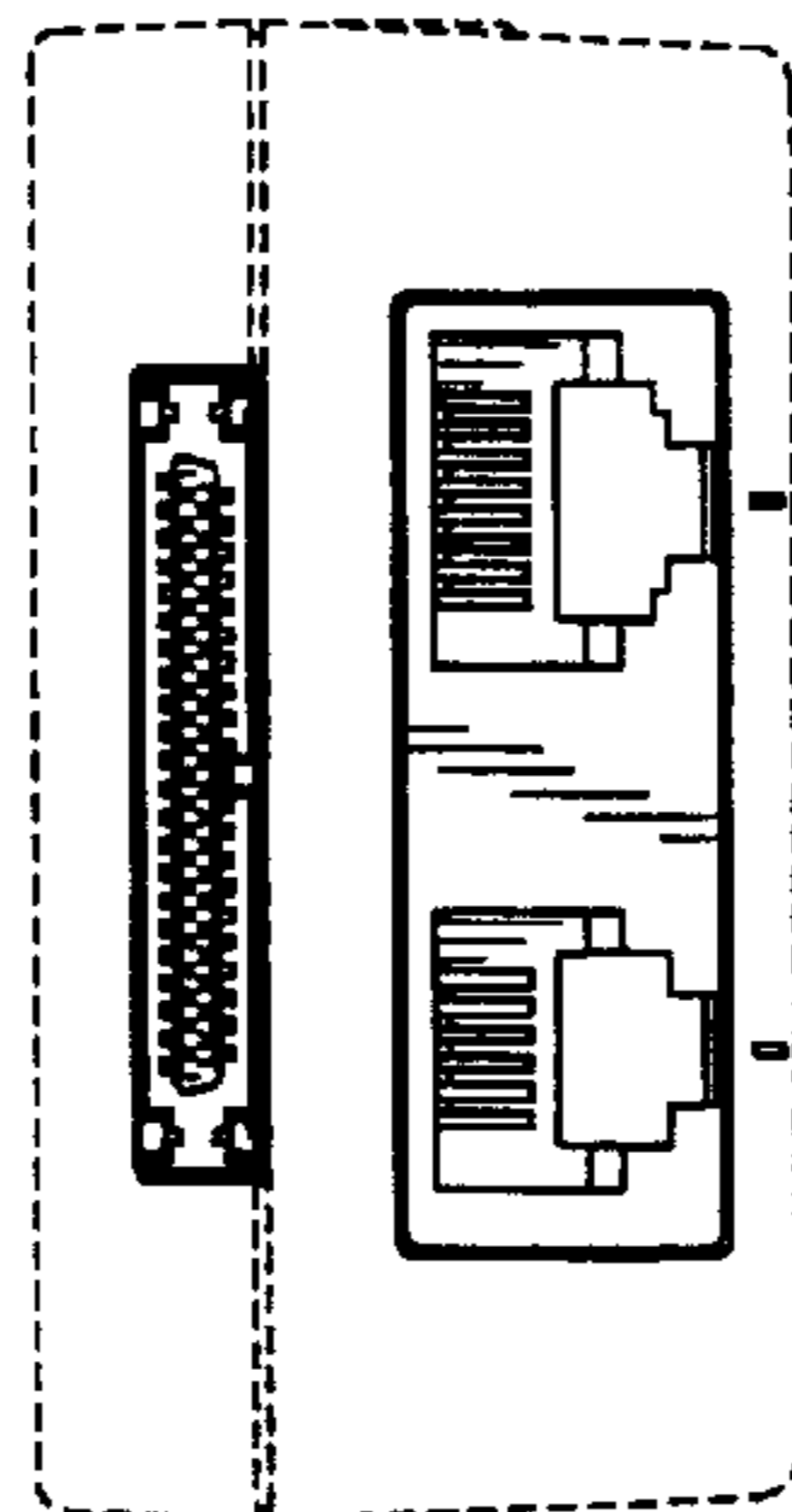


FIG. 4

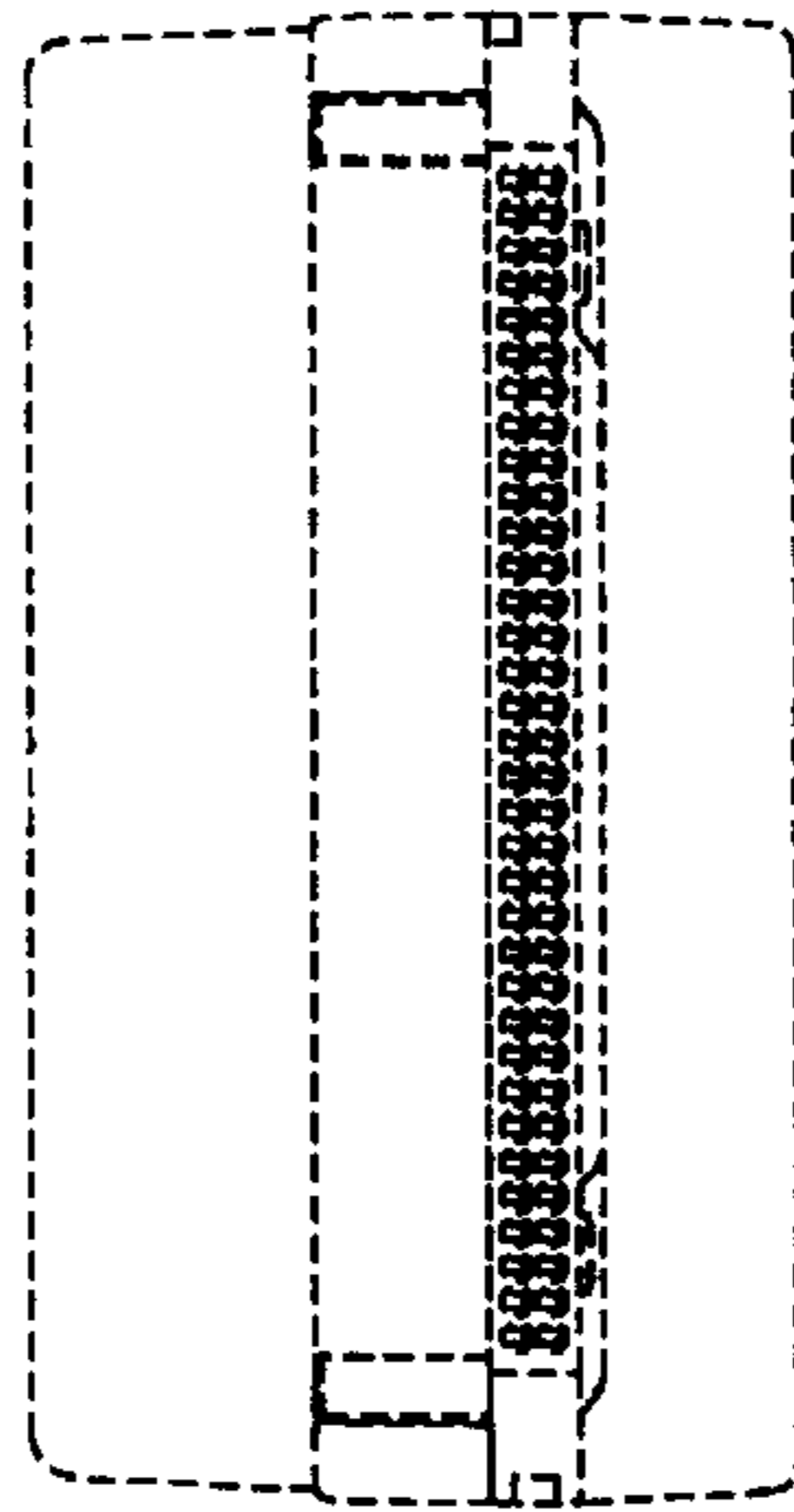


FIG. 5

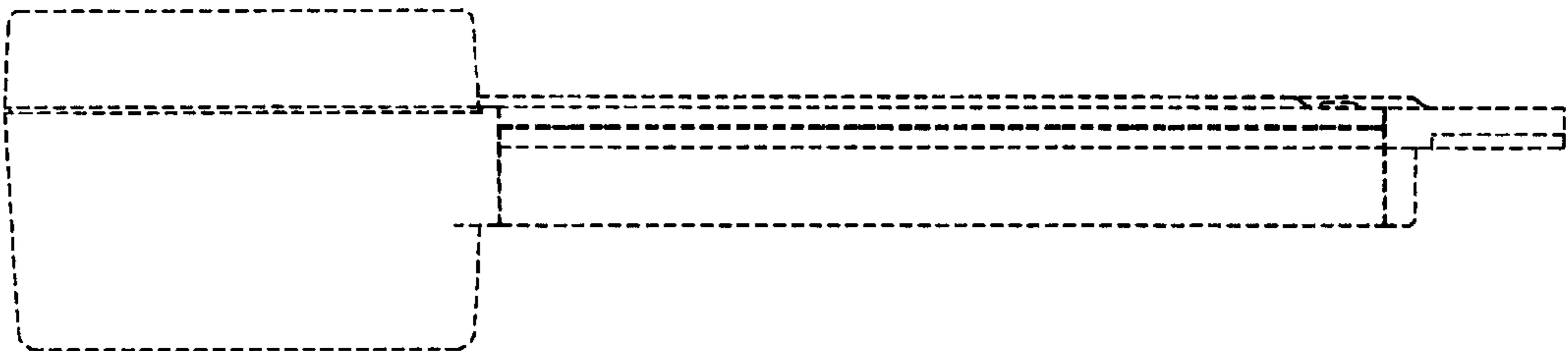


FIG. 6

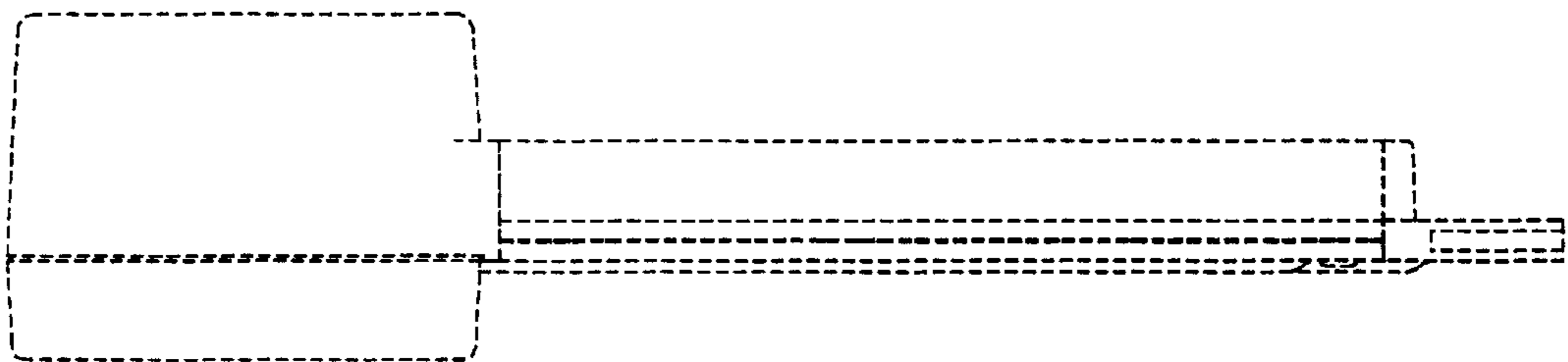


FIG. 7

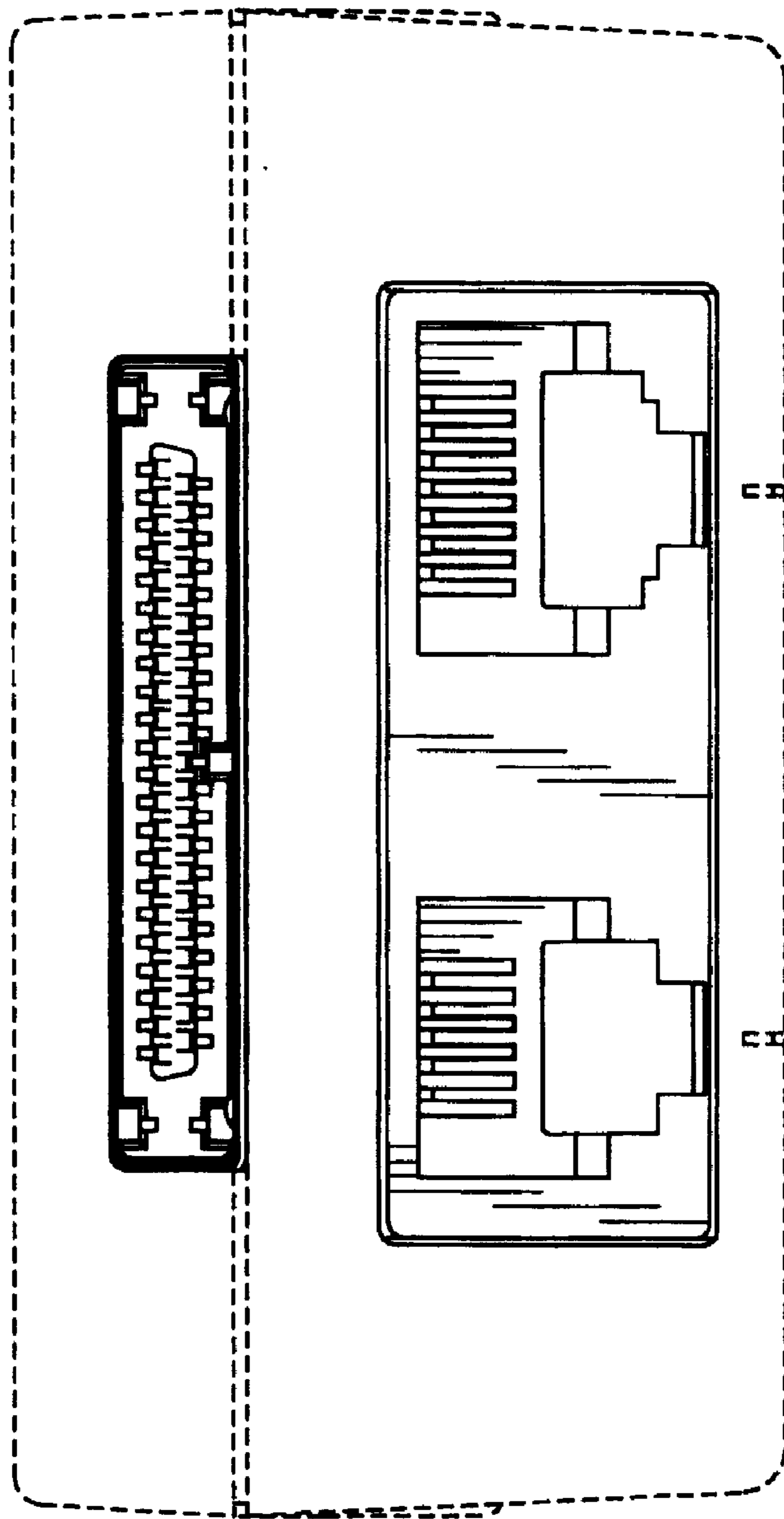


FIG. 8

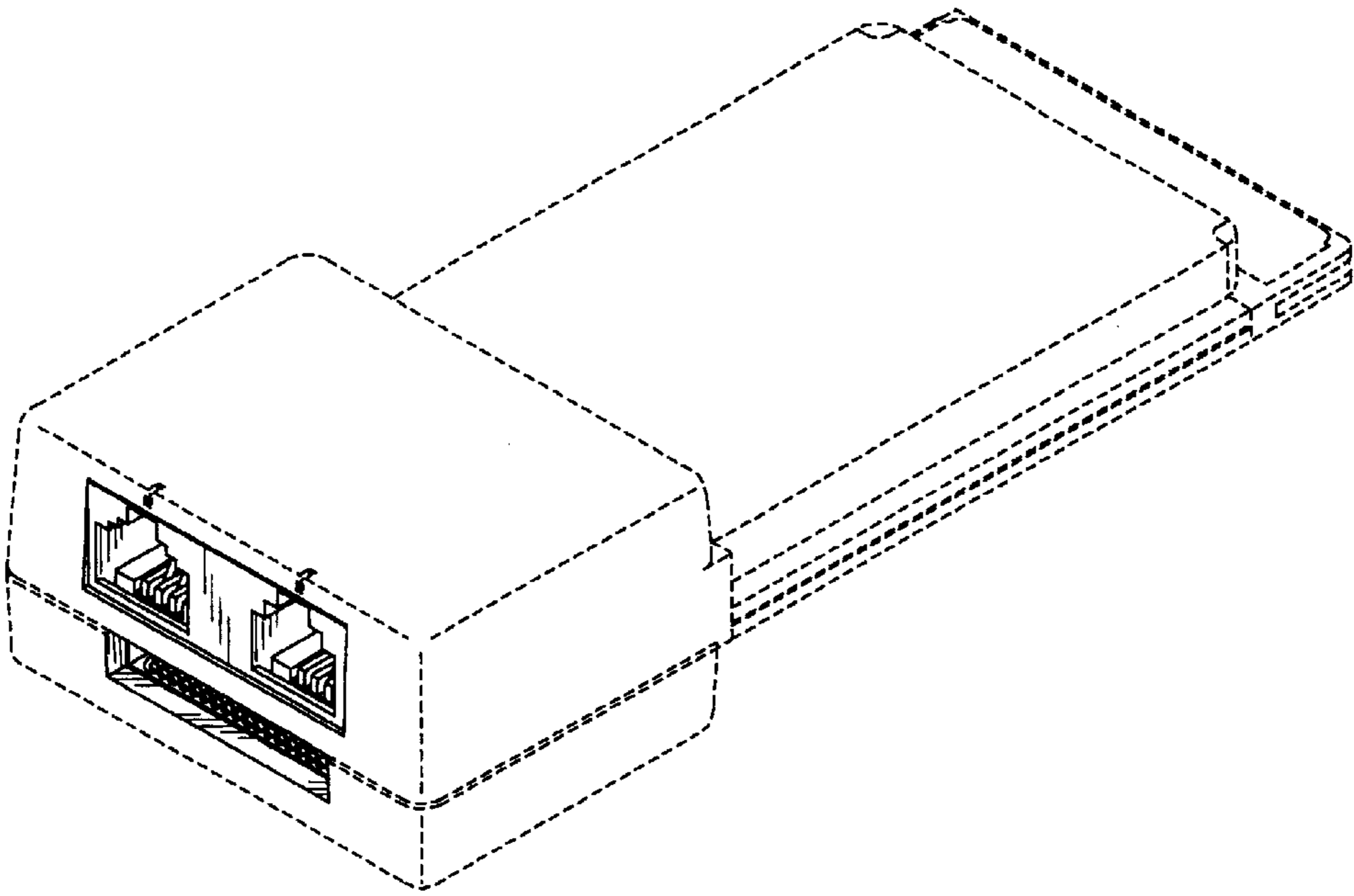


FIG. 9

