



US00D464656S

(12) **United States Design Patent**  
**Lin et al.**

(10) **Patent No.:** **US D464,656 S**

(45) **Date of Patent:** **\*\* Oct. 22, 2002**

(54) **SCANNER**

(75) Inventors: **Hui-Yi Lin**, Tao-Yuan (TW); **Ching-Yu Hung**, Taipei (TW)

(73) Assignee: **Primax Electronics Ltd.**, Taipei (TW)

(\*\*) Term: **14 Years**

(21) Appl. No.: **29/150,719**

(22) Filed: **Nov. 29, 2001**

(51) **LOC (7) Cl.** ..... **14-02**

(52) **U.S. Cl.** ..... **D14/425**

(58) **Field of Search** ..... D14/421, 422,  
D14/424, 425; D18/36, 37, 39, 54; 250/556;  
355/64, 65, 75, 81; 235/454, 470, 476,  
482

(56) **References Cited**

**U.S. PATENT DOCUMENTS**

- D391,930 S \* 3/1998 Cheng-Yung ..... D14/425
- D394,047 S \* 5/1998 Chang et al. .... D14/425

- D405,066 S \* 2/1999 Wu et al. .... D14/425
- D411,834 S \* 7/1999 Liu ..... D14/425
- D450,704 S \* 11/2001 Inukai ..... D14/425

\* cited by examiner

*Primary Examiner*—Freda Nunn

(74) *Attorney, Agent, or Firm*—Winston Hsu

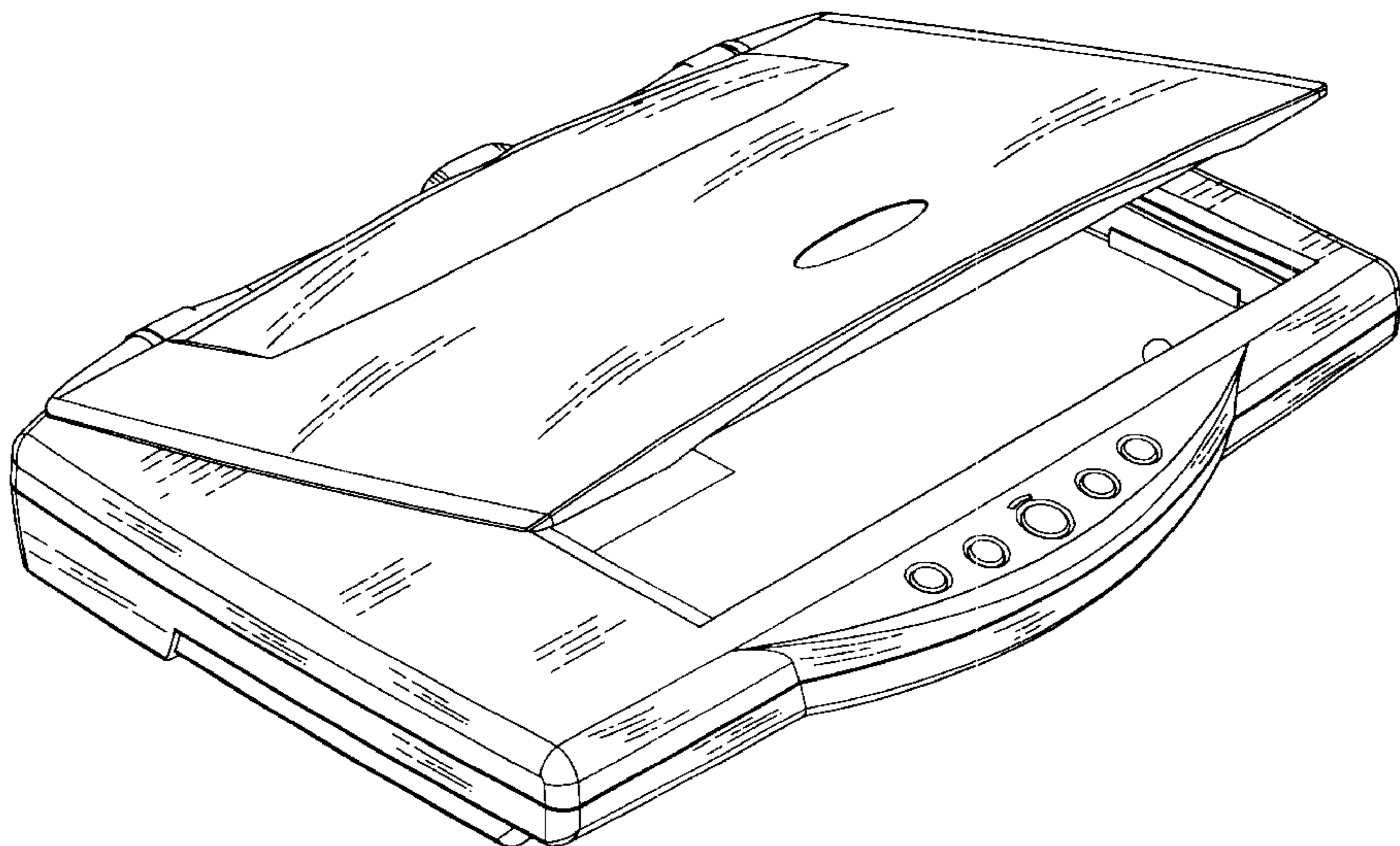
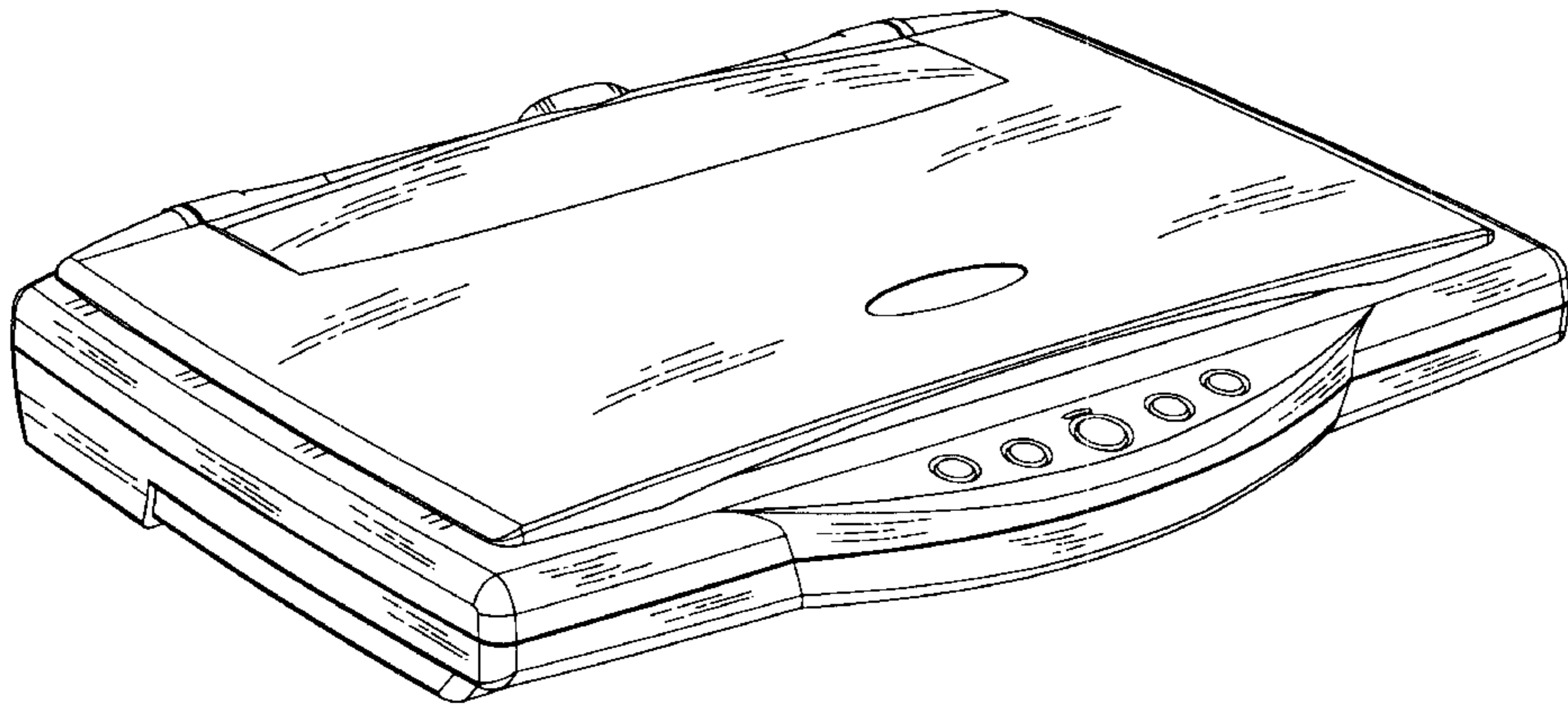
(57) **CLAIM**

The ornamental design for a scanner, as shown and described.

**DESCRIPTION**

FIG. 1 is a front elevational view of a scanner showing our new design;  
 FIG. 2 is a rear elevational view thereof;  
 FIG. 3 is a left side elevational view thereof;  
 FIG. 4 is a right side elevational view thereof;  
 FIG. 5 is a top plan view thereof;  
 FIG. 6 is a bottom plan view thereof;  
 FIG. 7 is a perspective view thereof; and,  
 FIG. 8 is a perspective view thereof when opening its cover.

**1 Claim, 4 Drawing Sheets**



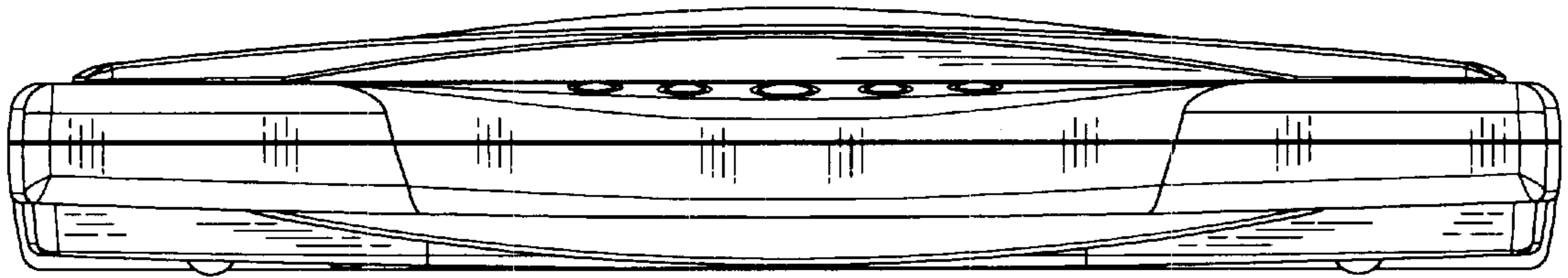


Fig. 1

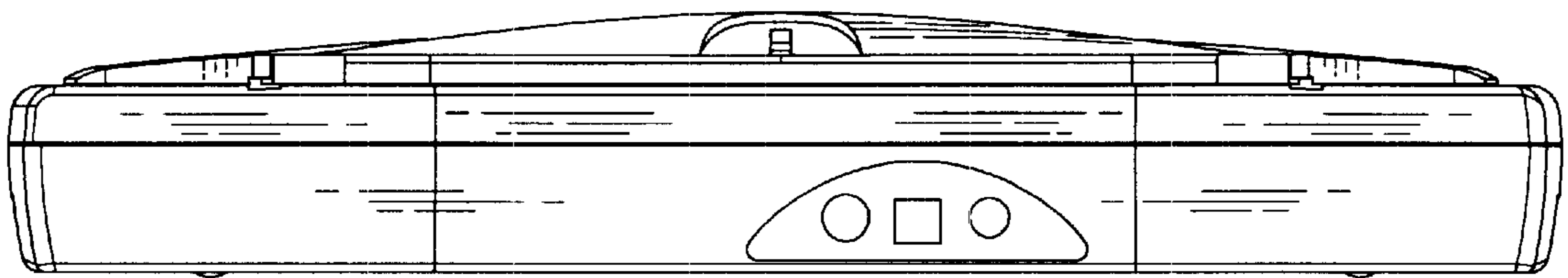


Fig. 2

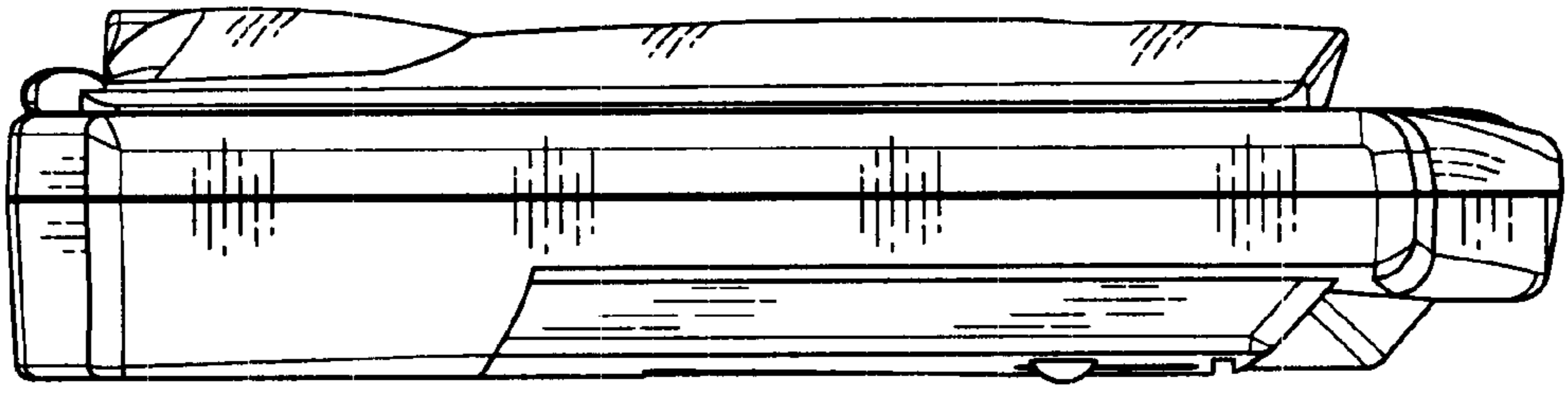


Fig. 3

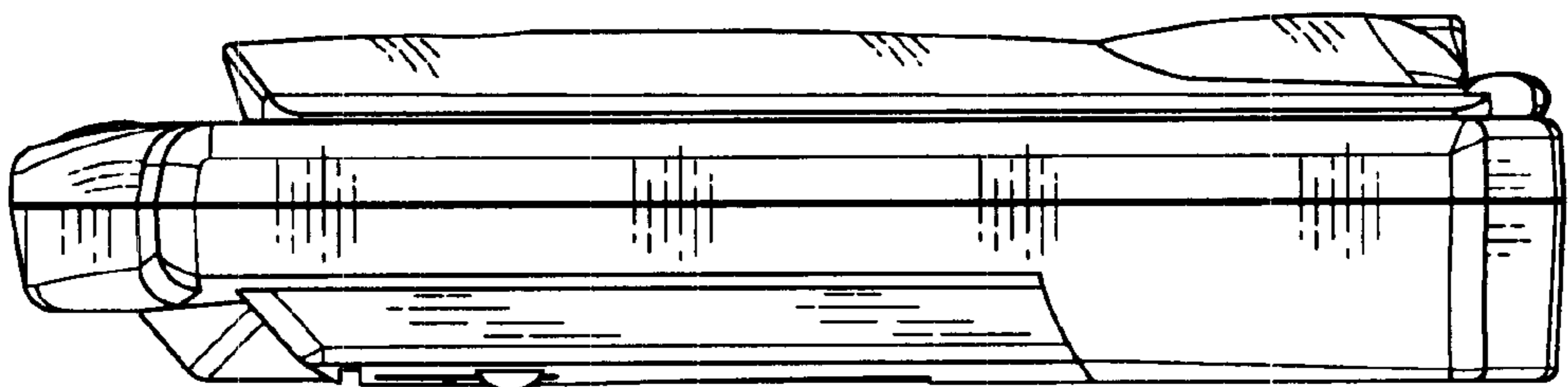


Fig. 4

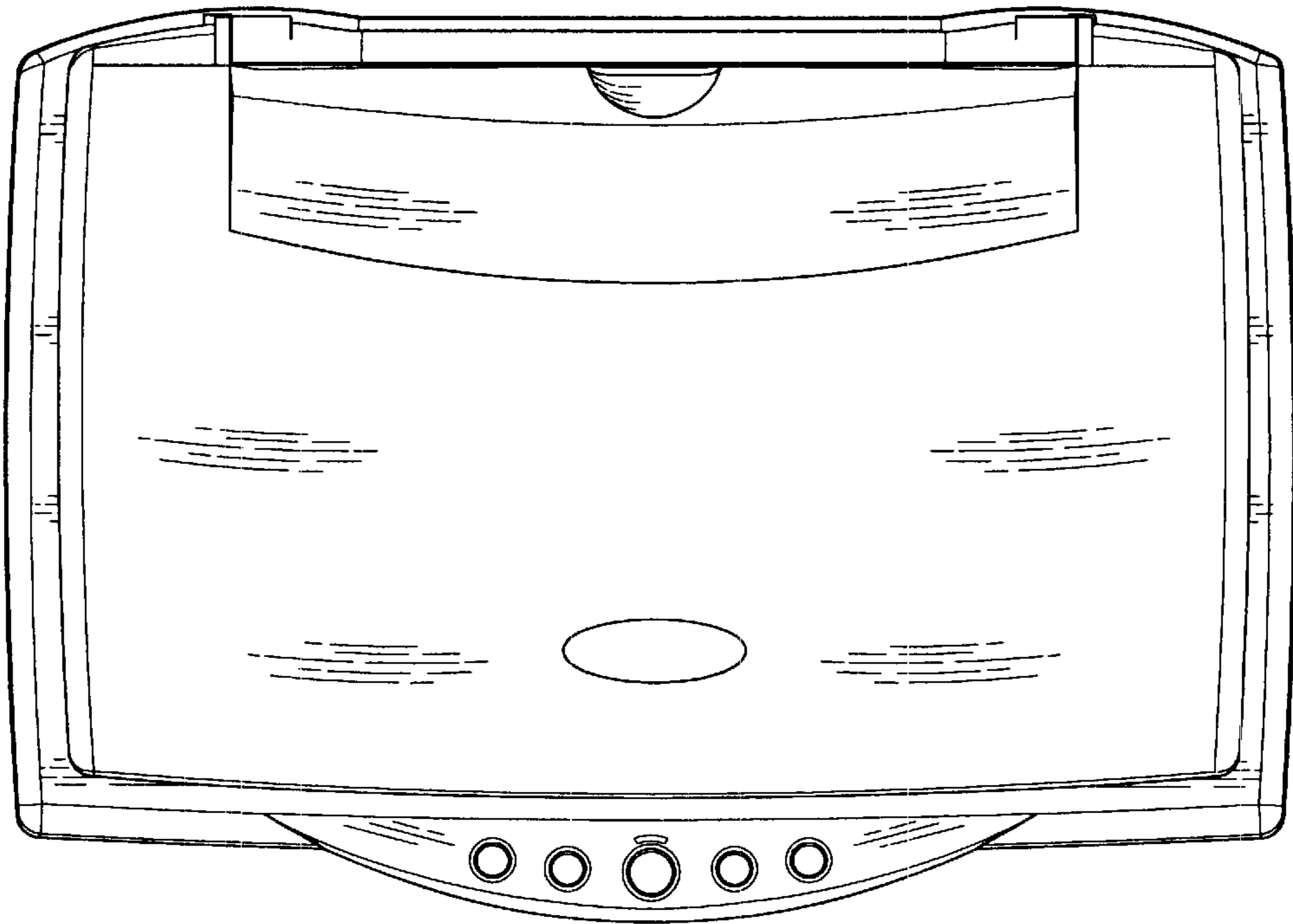


Fig. 5

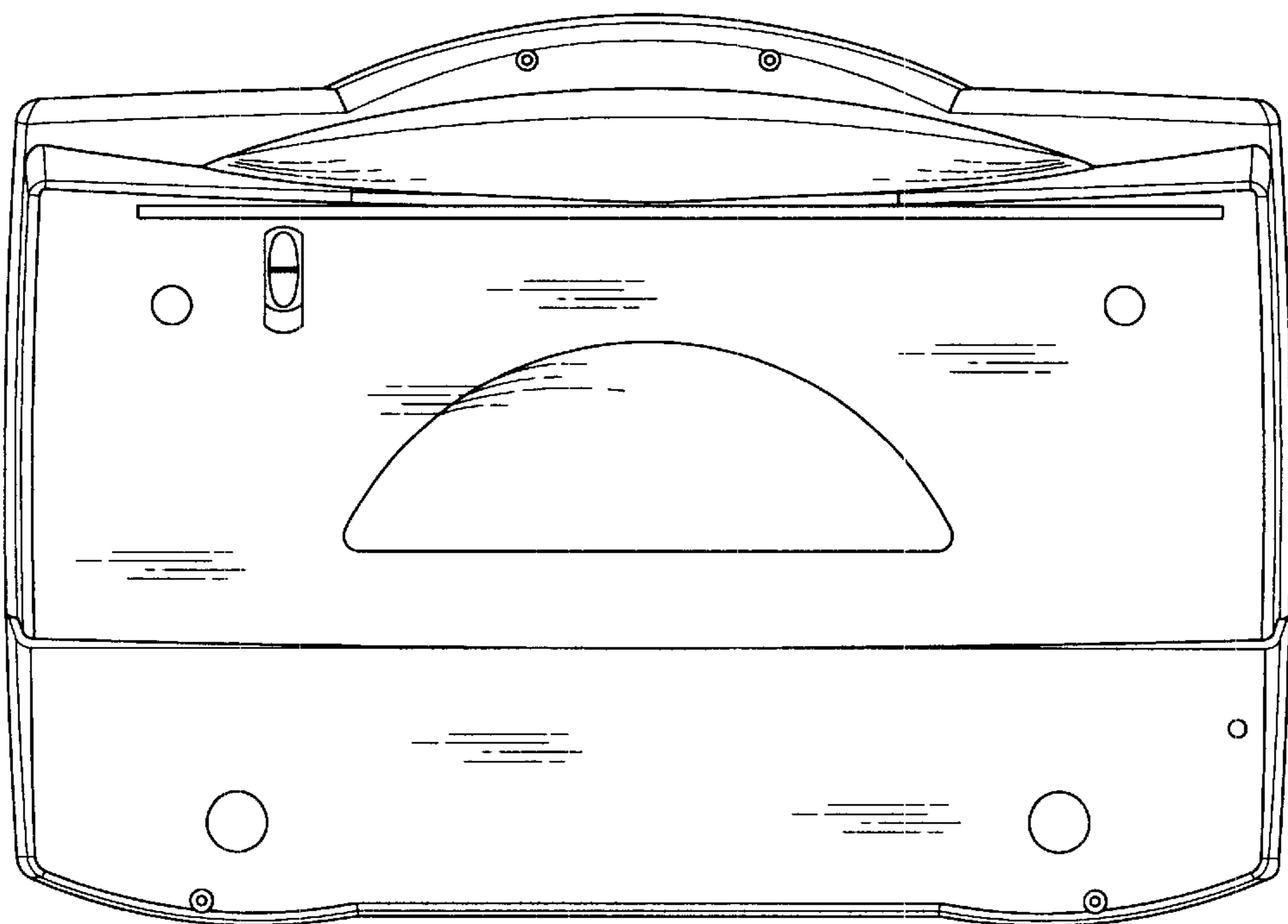


Fig. 6

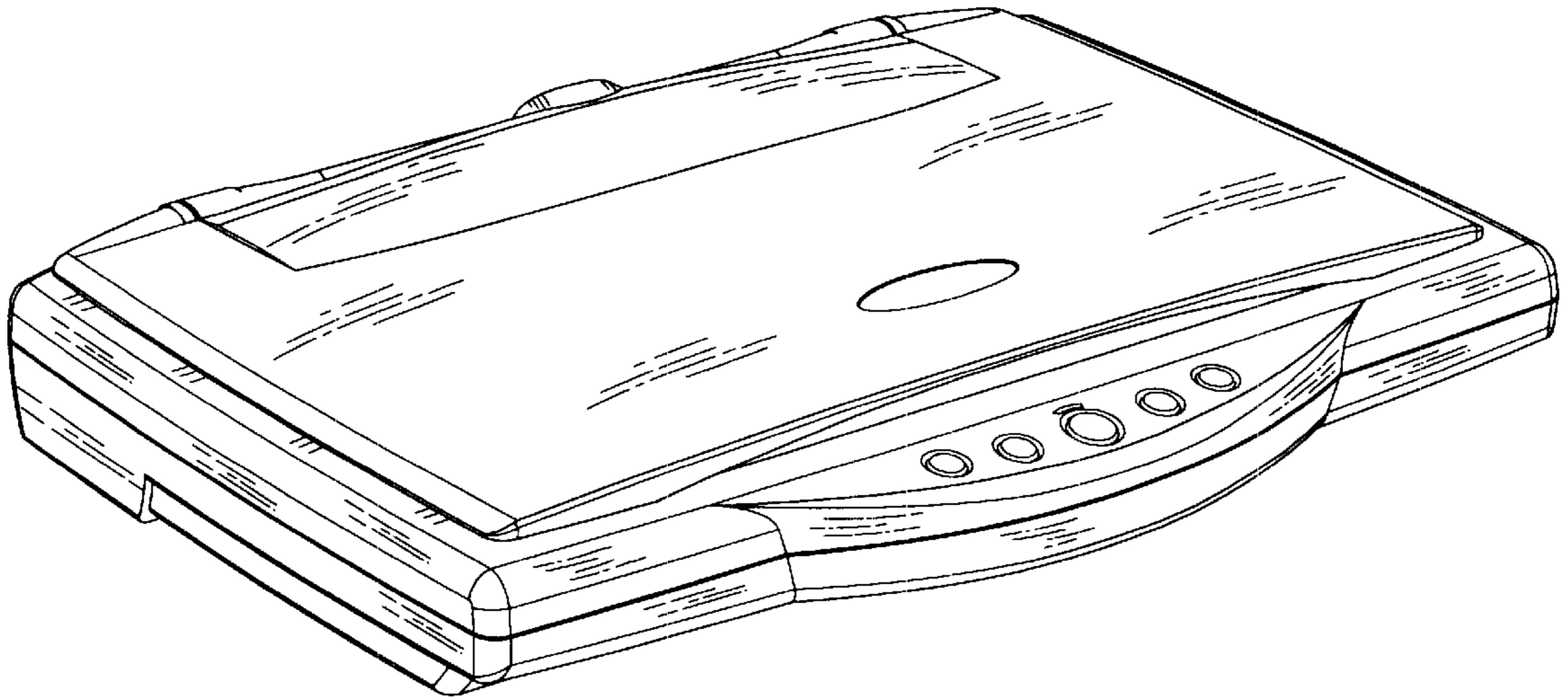


Fig. 7

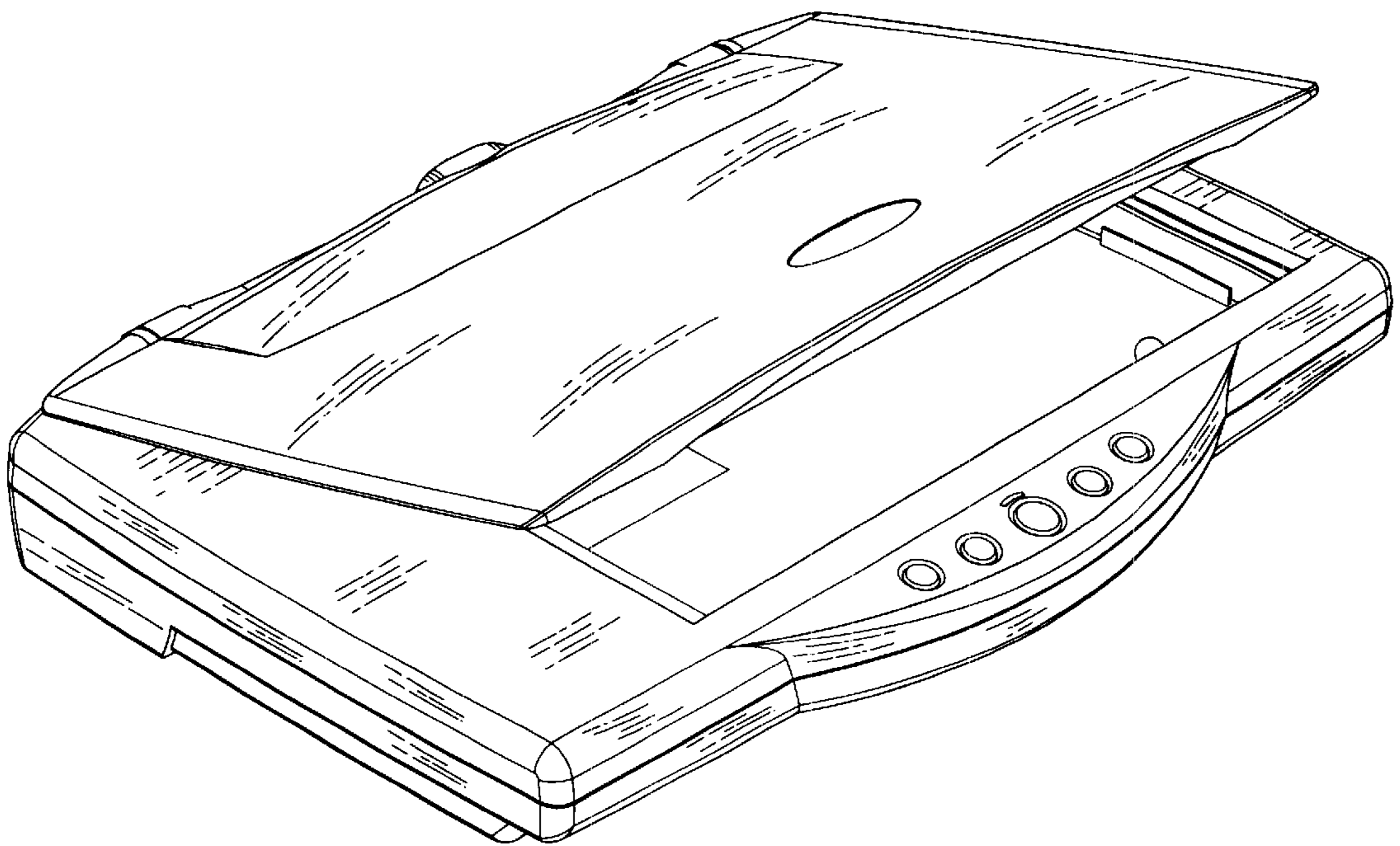


Fig. 8