



US00D464654S

(12) **United States Design Patent** (10) **Patent No.:** **US D464,654 S**
Tews (45) **Date of Patent:** **** Oct. 22, 2002**

(54) **JOYSTICK**

(75) Inventor: **Erik Henry Tews**, Fresno, CA (US)

(73) Assignee: **Pelco**, Clovis, CA (US)

(**) Term: **14 Years**

(21) Appl. No.: **29/145,777**

(22) Filed: **Jul. 27, 2001**

(51) **LOC (7) Cl.** **14-02**

(52) **U.S. Cl.** **D14/414**

(58) **Field of Search** D14/412-416,
D14/496; D21/333, 324; 273/148 B; 463/1,
36-39, 46, 47, 49; 345/156, 161

(56) **References Cited**

U.S. PATENT DOCUMENTS

D271,312 S	*	11/1983	Renteria	D14/413
4,945,357 A	*	7/1990	Tai	463/38
5,286,024 A	*	2/1994	Winblad	463/38
5,738,352 A	*	4/1998	Ohkubo et al.	463/38
6,002,388 A	*	12/1999	Seffernick et al.	345/161
6,059,660 A	*	5/2000	Takada et al.	463/38
D438,847 S	*	3/2001	Hasegawa	D14/412
6,353,431 B1	*	3/2001	Poole et al.	345/161
6,331,849 B1	*	12/2001	Vandenboom	345/161

OTHER PUBLICATIONS

CH Products brochure on HFX, Jul. 1998, pp. 4-7 (Handwritten).

CH Products catalog on joystick & trackball positioning controls, pp. 8-27 (Handwritten) no date known.

Penny Giles catalog joystick controllers, 1998 pp. 28-48 (Handwritten).

CTI Electronics Corporation brochure on solid state injunctive joysticks, p. 49 (Handwritten) no date known.

CTI Electronics Corporation brochure on miniature inductive joysticks, p. 50 (Handwritten), no date known.

CTI Electronics Corporation brochure on full size inductive joysticks, p. 51 (Handwritten) no date known.

Maurey Instrument Corporation brochure on joystick controls, p. 52 (Handwritten) no date known.

* cited by examiner

Primary Examiner—Prabhakar Deshmukh
(74) *Attorney, Agent, or Firm*—Mark D. Miller

(57) **CLAIM**

The ornamental design for an improved joystick, as shown and described.

DESCRIPTION

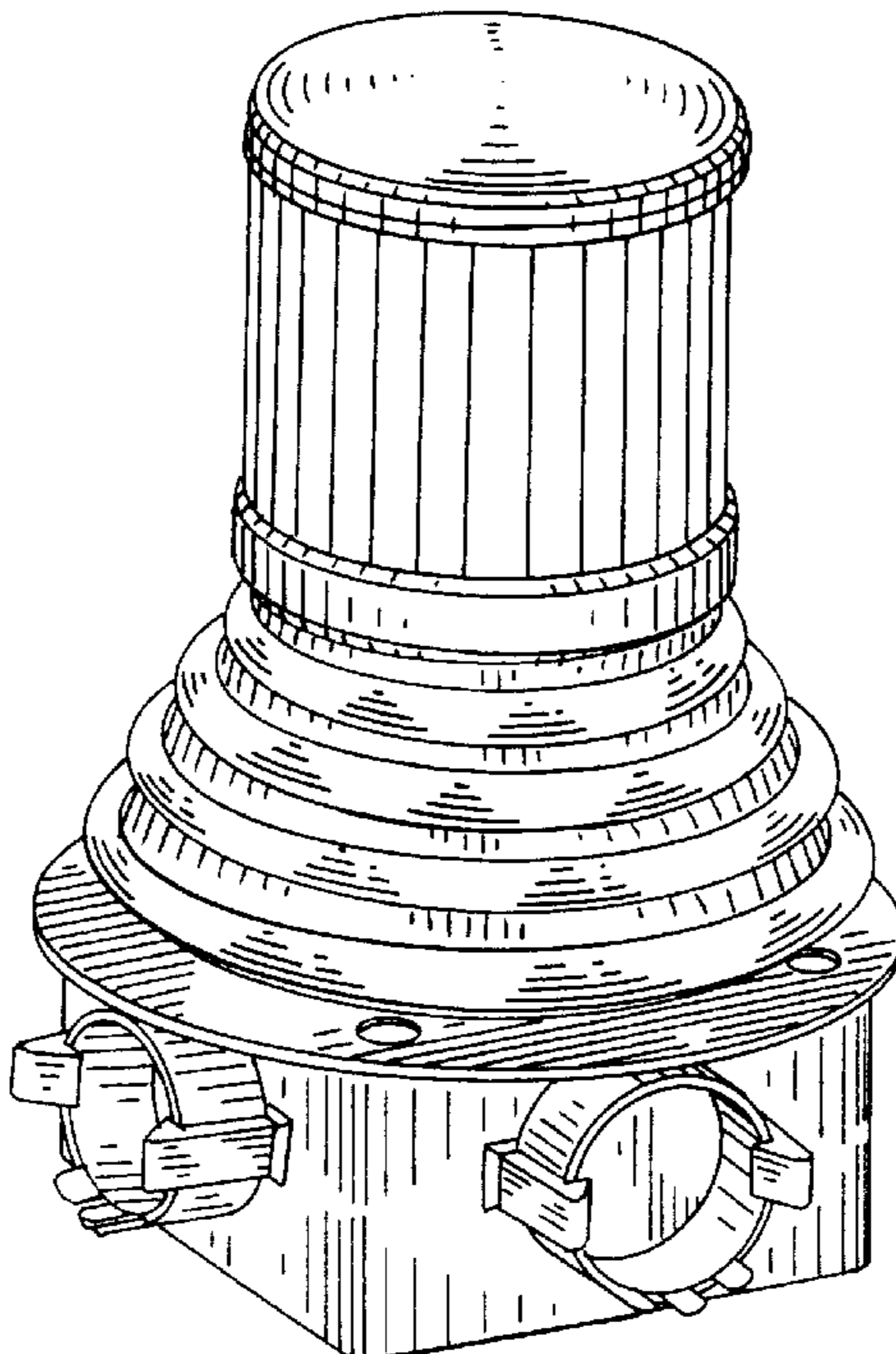
FIG. 1 is a top plan view of the joystick showing my new design;

FIG. 2 is a side elevational view thereof; and,

FIG. 3 is a front perspective thereof.

The portions of the design not shown are disclaimed.

1 Claim, 3 Drawing Sheets



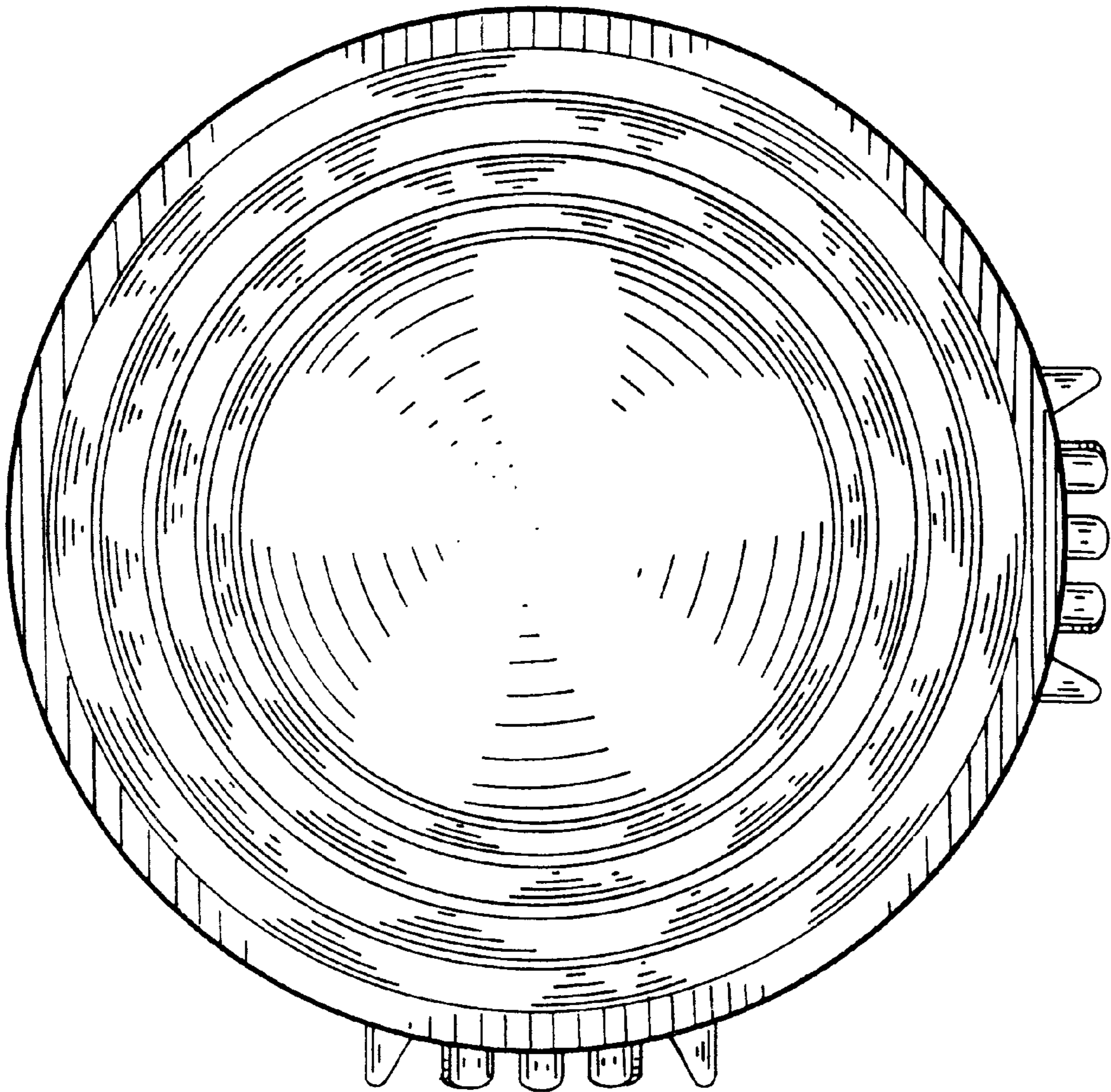


FIG. 1

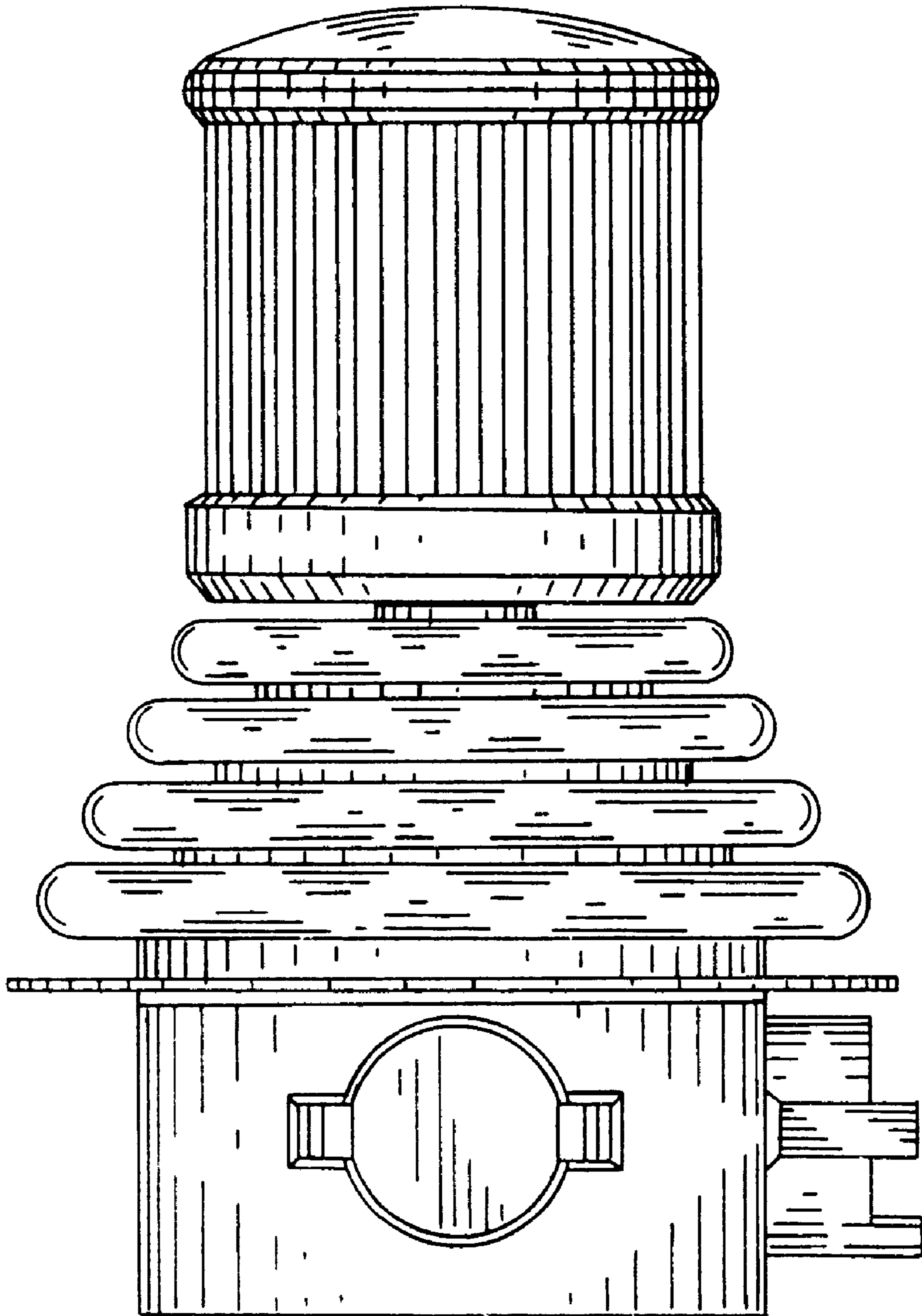


FIG. 2

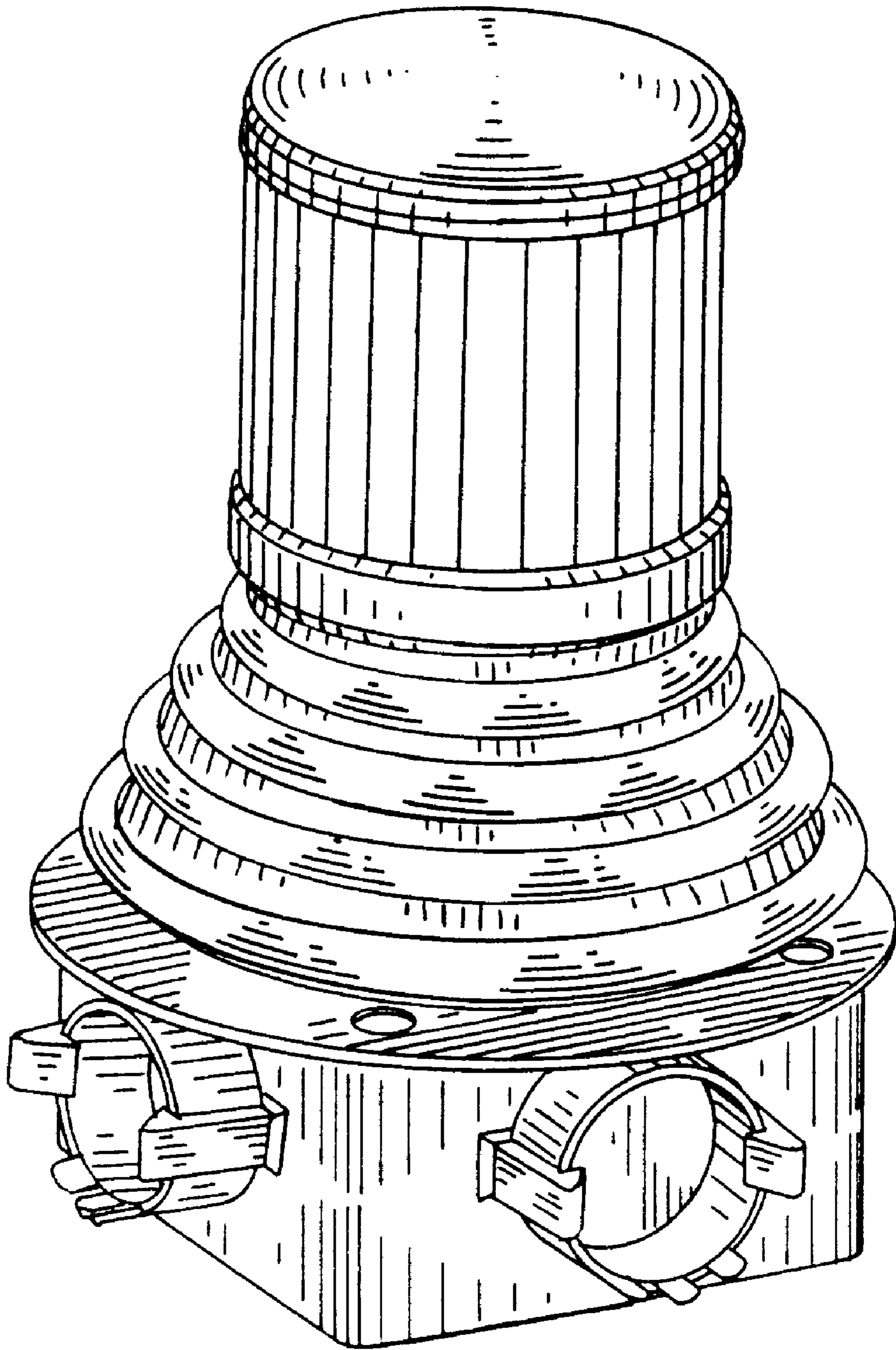


FIG. 3