



US00D464653S

(12) **United States Design Patent**
Nagai et al.

(10) **Patent No.:** **US D464,653 S**

(45) **Date of Patent:** **** Oct. 22, 2002**

(54) **OPERATION MACHINE FOR A PORTABLE WIRELESS TERMINAL EQUIPMENT**

D443,300 * 6/2001 Kim et al. D19/36
D453,354 * 2/2002 Ikenaga et al. D19/36

(75) Inventors: **Michio Nagai**, Tokyo (JP); **Mika Fujii**, Tokyo (JP); **Hiroshi Iue**, Tokyo (JP)

* cited by examiner

(73) Assignee: **NEC Corporation**, Tokyo (JP)

Primary Examiner—Kay H. Chin

(74) *Attorney, Agent, or Firm*—Sughrue Mion, PLLC

(**) Term: **14 Years**

(57) **CLAIM**

(21) Appl. No.: **29/151,156**

The ornamental design for an operation machine for a portable wireless terminal equipment, as shown.

(22) Filed: **Dec. 5, 2001**

(30) **Foreign Application Priority Data**

Jun. 6, 2001 (JP) 2001-016544

DESCRIPTION

(51) **LOC (7) Cl.** **14-02**

FIG. 1 is a perspective view of the top, bottom and right side of an operation machine for a portable wireless terminal equipment showing our new design;

(52) **U.S. Cl.** **D14/411; D19/36**

FIG. 2 is a front elevational view thereof;

(58) **Field of Search** D14/411; D19/53-58, D19/81-85, 35-36, 41-51; 401/34, 52, 195, 202, 98, 209, 262; 178/19.01-19.05; 345/179-183

FIG. 3 is a rear elevational view thereof;

FIG. 4 is a left side elevational view thereof;

FIG. 5 is a right side elevational view thereof;

FIG. 6 is a top plan view thereof; and,

FIG. 7 is a bottom plan view thereof.

(56) **References Cited**

U.S. PATENT DOCUMENTS

D356,306 * 3/1995 Ady et al. D14/411

1 Claim, 2 Drawing Sheets

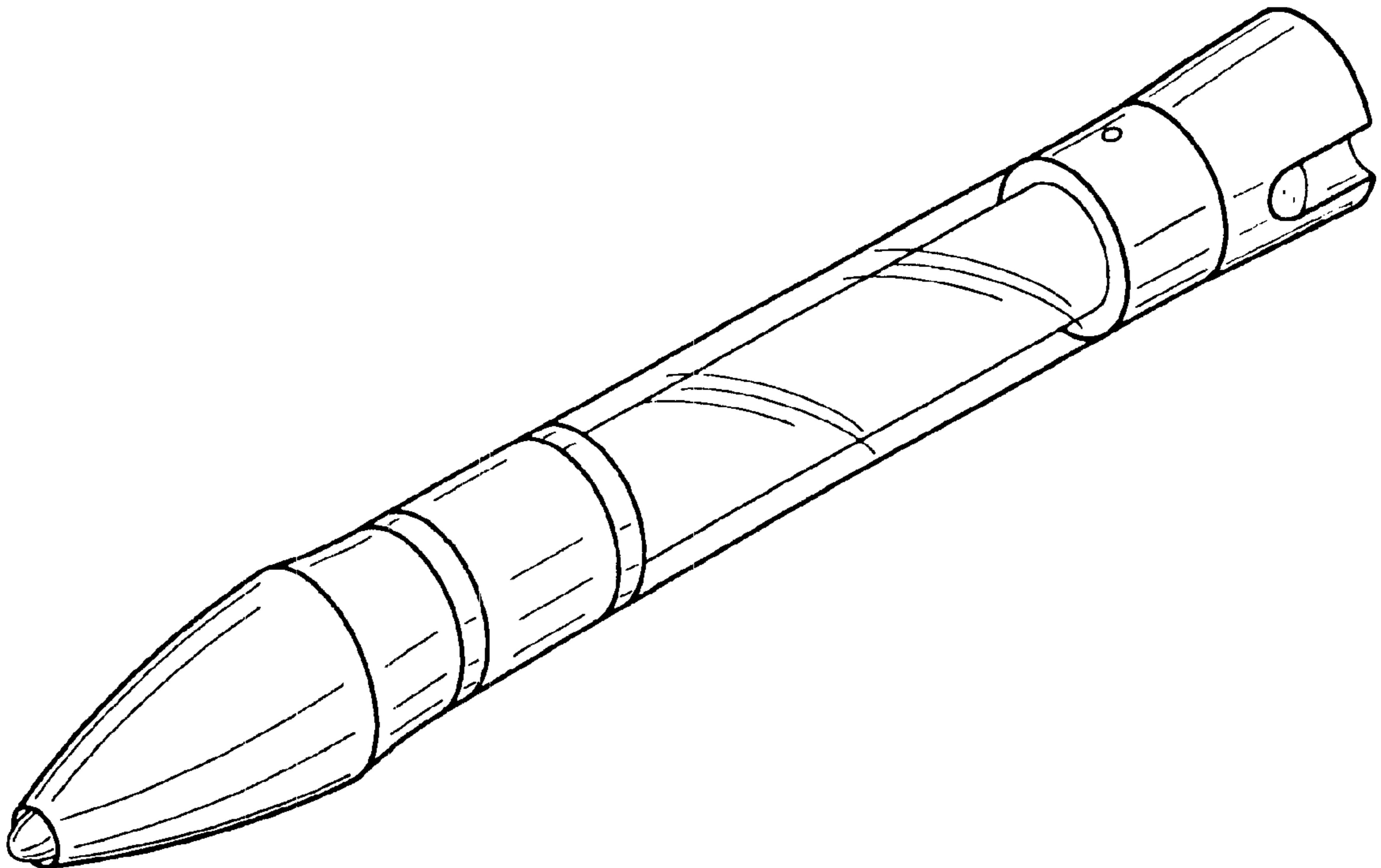


FIG. 1

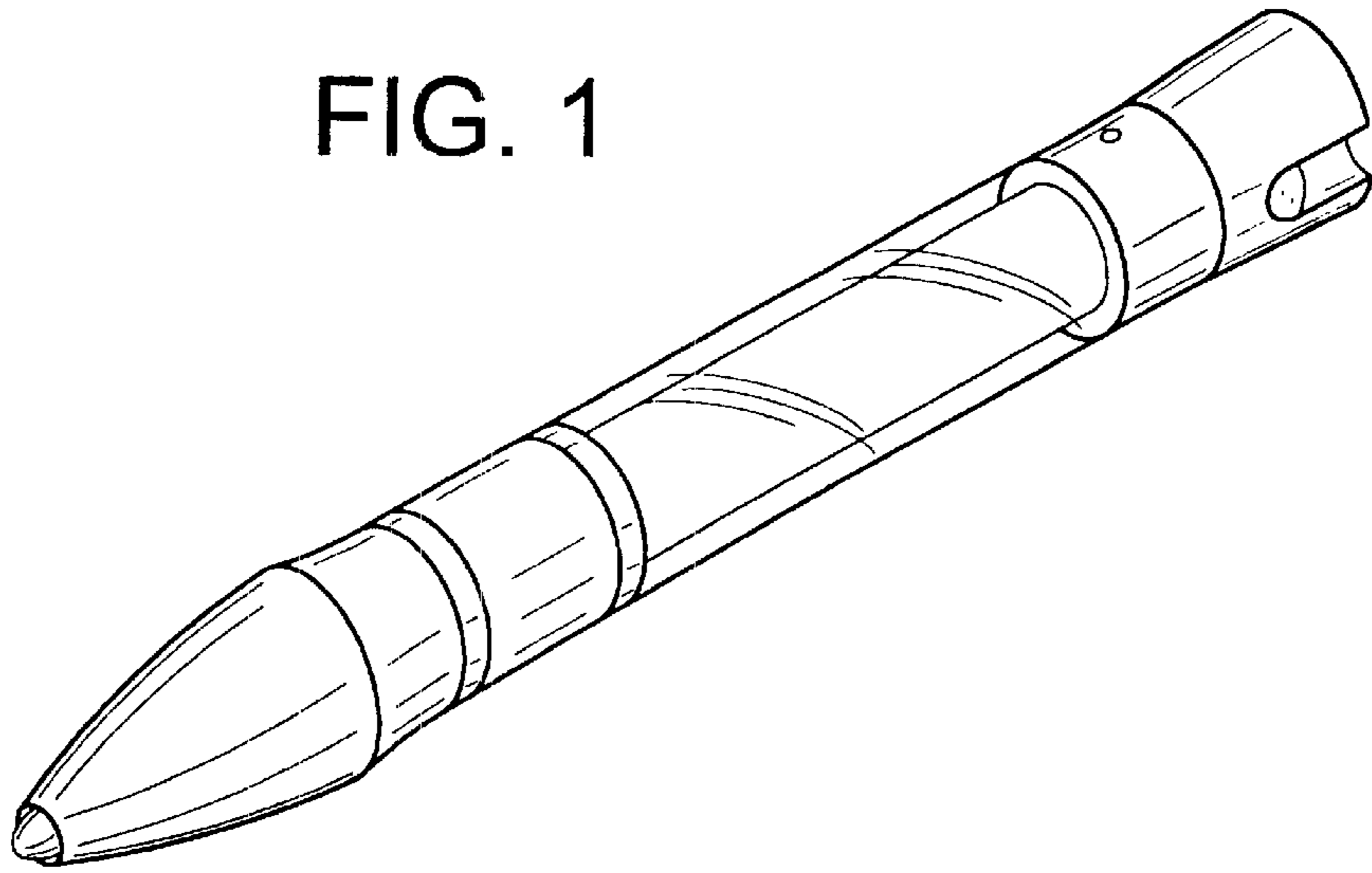


FIG. 2

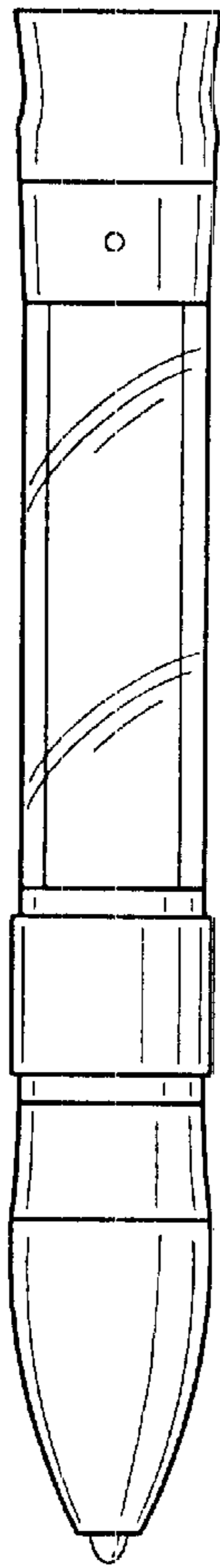


FIG. 3

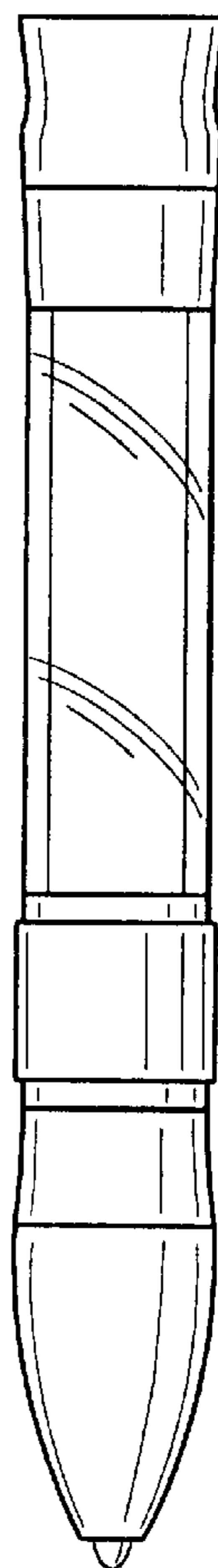


FIG. 4

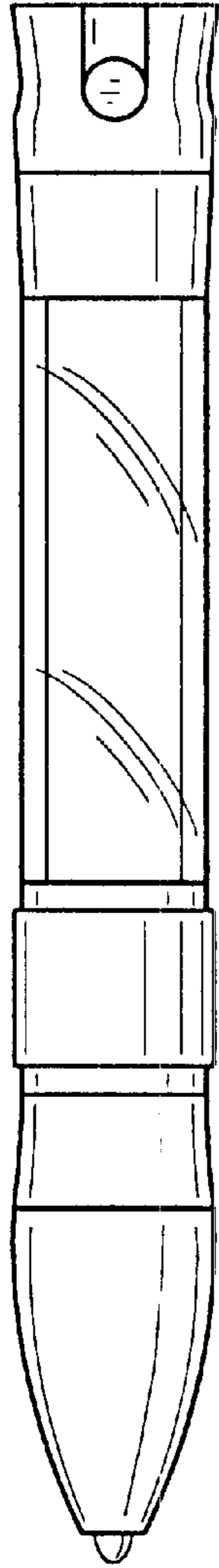


FIG. 5

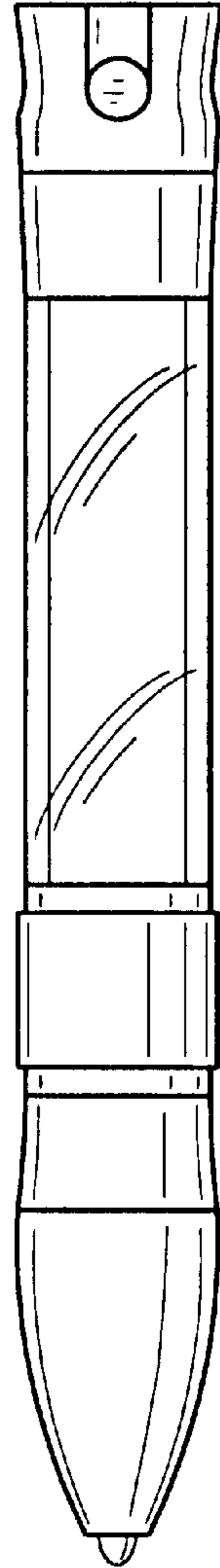


FIG. 6

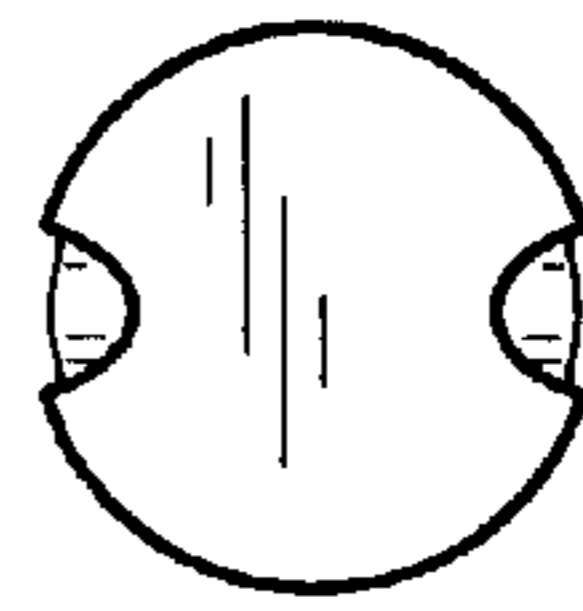


FIG. 7

