



US00D464650S

(12) **United States Design Patent**
Sun

(10) **Patent No.:** **US D464,650 S**

(45) **Date of Patent:** **** Oct. 22, 2002**

(54) **LCD MONITOR**

(75) **Inventor:** **Sheng-Chyan Sun, Taipei (TW)**

(73) **Assignee:** **Acer Communications and Multimedia Inc., Taoyuan (TW)**

(**) **Term:** **14 Years**

(21) **Appl. No.:** **29/141,327**

(22) **Filed:** **May 3, 2001**

(51) **LOC (7) Cl.** **14-02**

(52) **U.S. Cl.** **D14/375**

(58) **Field of Search** D14/371, 374,
D14/375, 376, 377, 125-129; 345/104,
156, 168, 173; 248/917-924; 348/180,
184, 325, 739; 349/1, 2, 11, 62; 341/12

(56) **References Cited**

U.S. PATENT DOCUMENTS

D356,077 S * 3/1995 Harada et al. D14/126

D416,549 S * 11/1999 Coster et al. D14/375

D416,876 S * 11/1999 Yin D14/375

D434,037 S * 11/2000 Chang D14/375

* cited by examiner

Primary Examiner—Freda Nunn

(74) *Attorney, Agent, or Firm*—Ladas & Parry

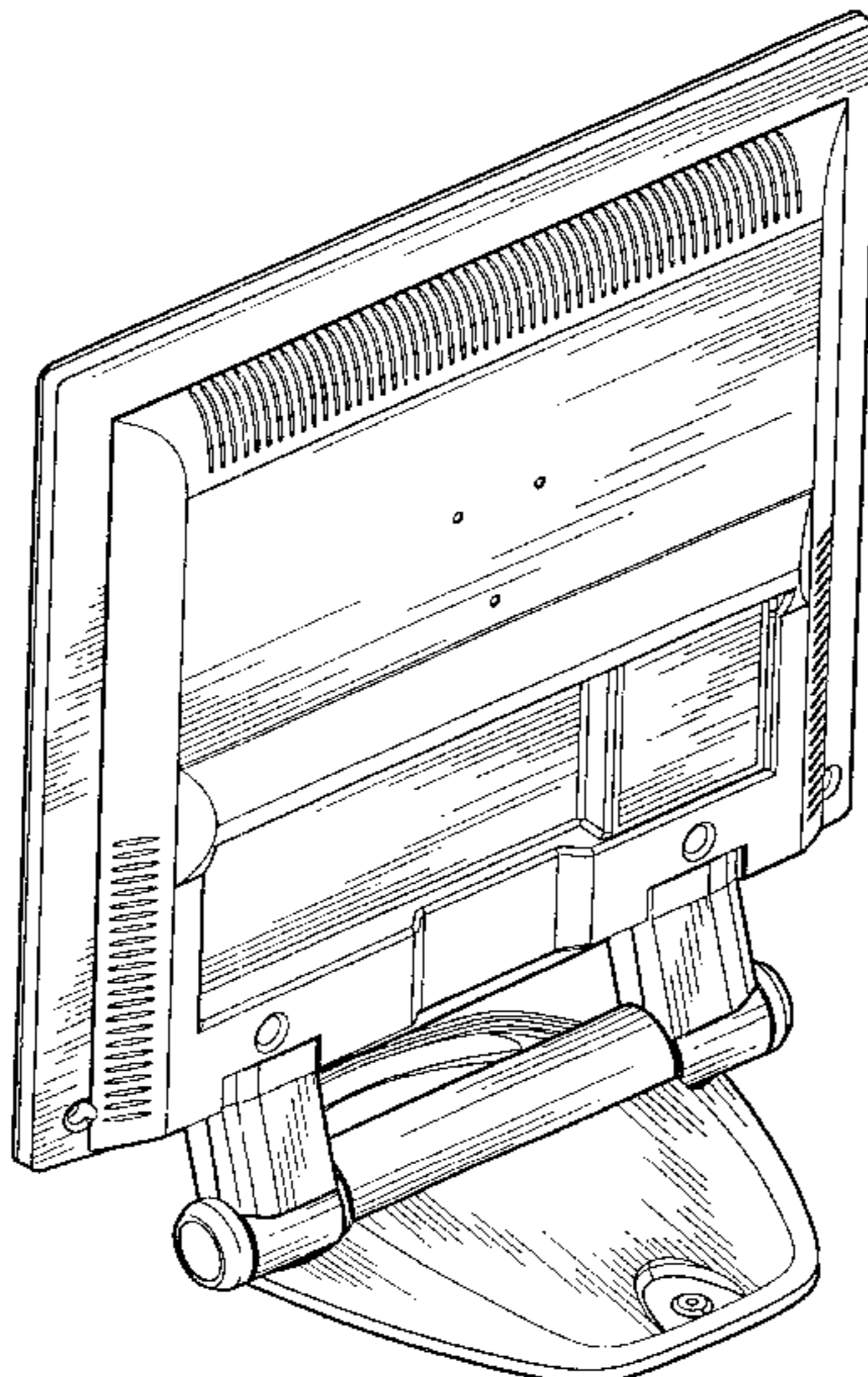
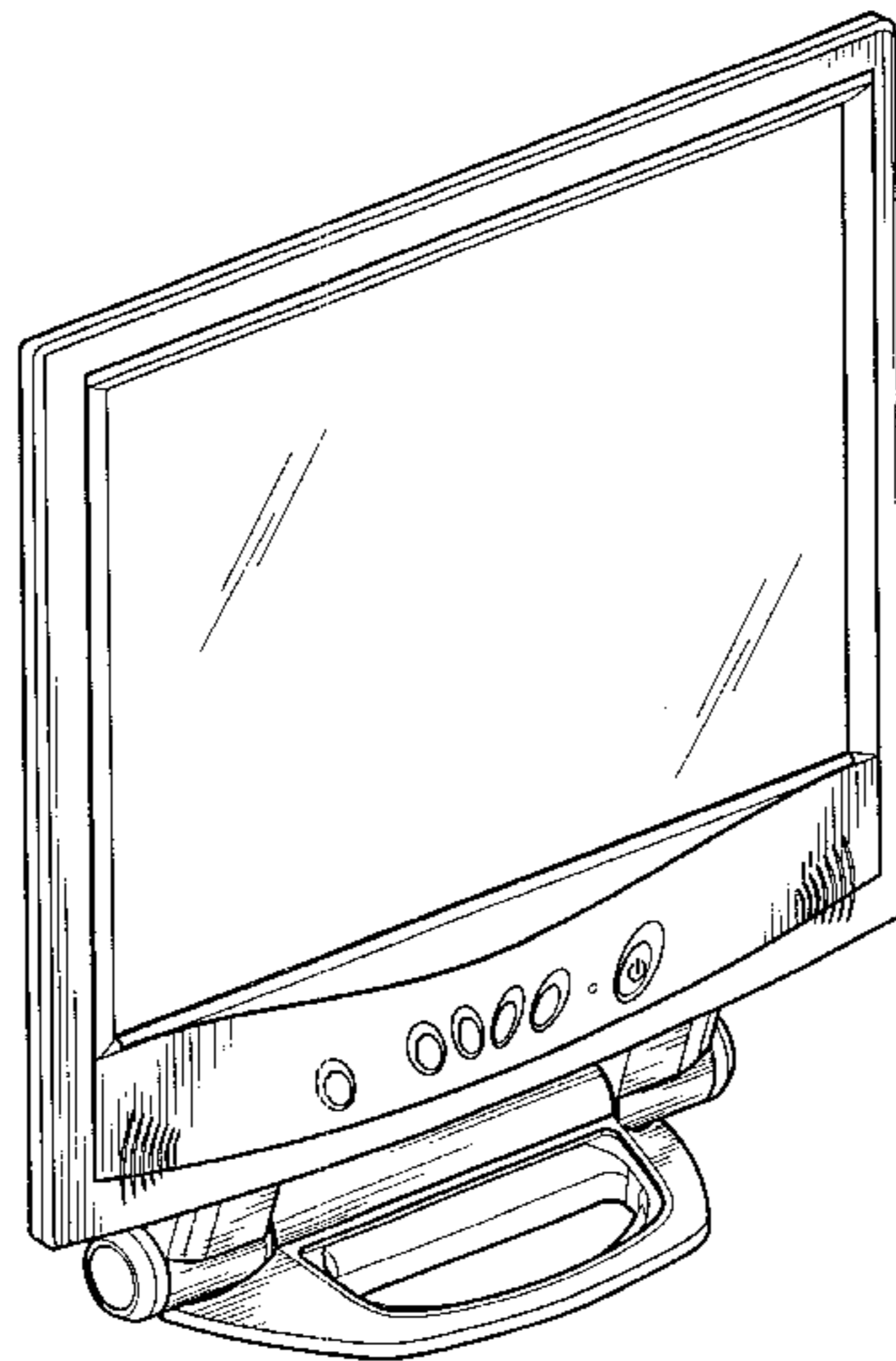
(57) **CLAIM**

The ornamental design for a LCD monitor, as shown and described.

DESCRIPTION

FIG. 1 is a front perspective view thereof;
FIG. 2 is a right side elevational view thereof;
FIG. 3 is a top plan view thereof; and
FIG. 4 is a front elevational view thereof;
FIG. 5 is a bottom plan view thereof;
FIG. 6 is a left side elevational view thereof;
FIG. 7 is a rear elevational view thereof; and,
FIG. 8 is a rear perspective view thereof.

1 Claim, 8 Drawing Sheets



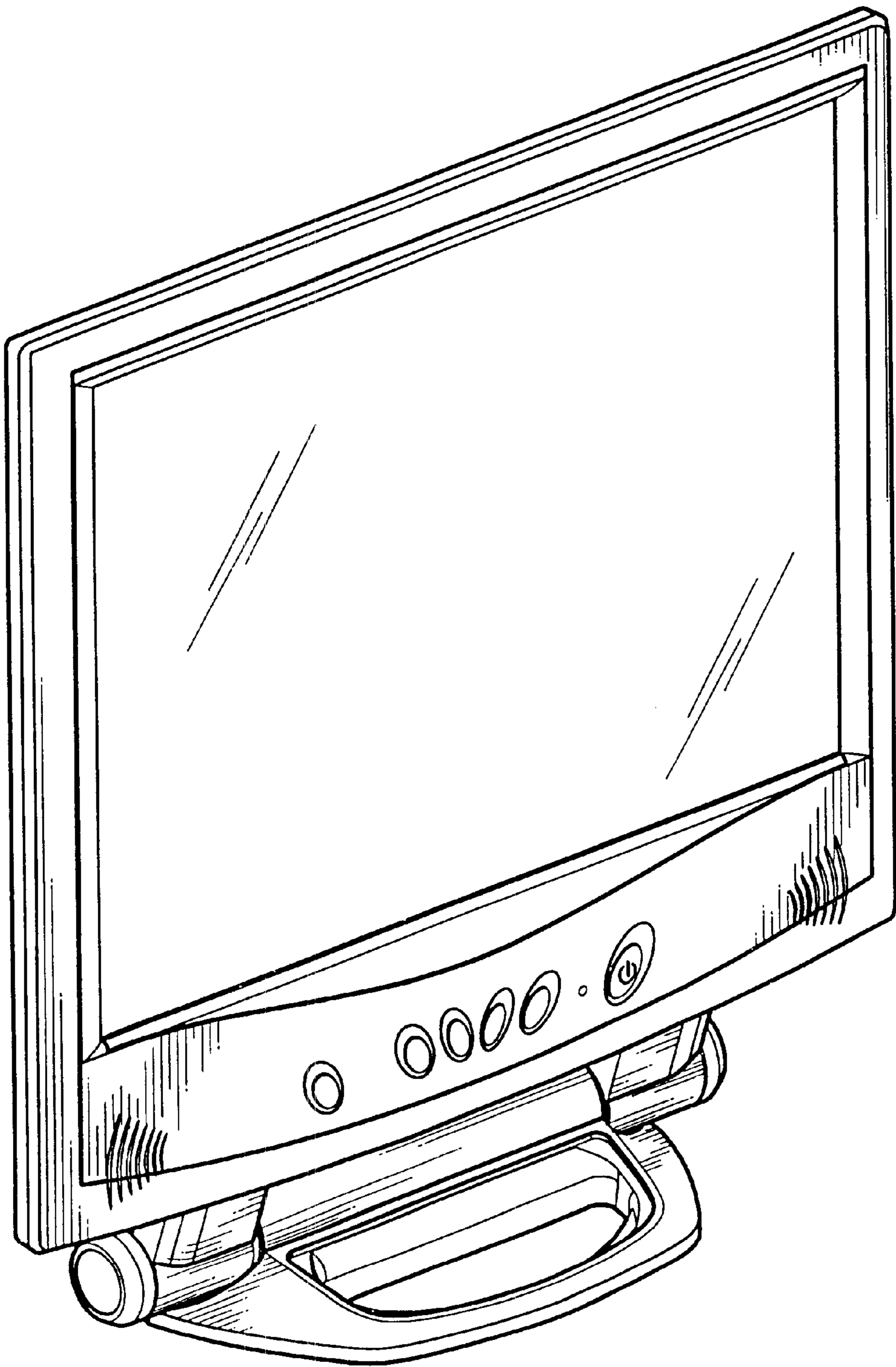


FIG. 1

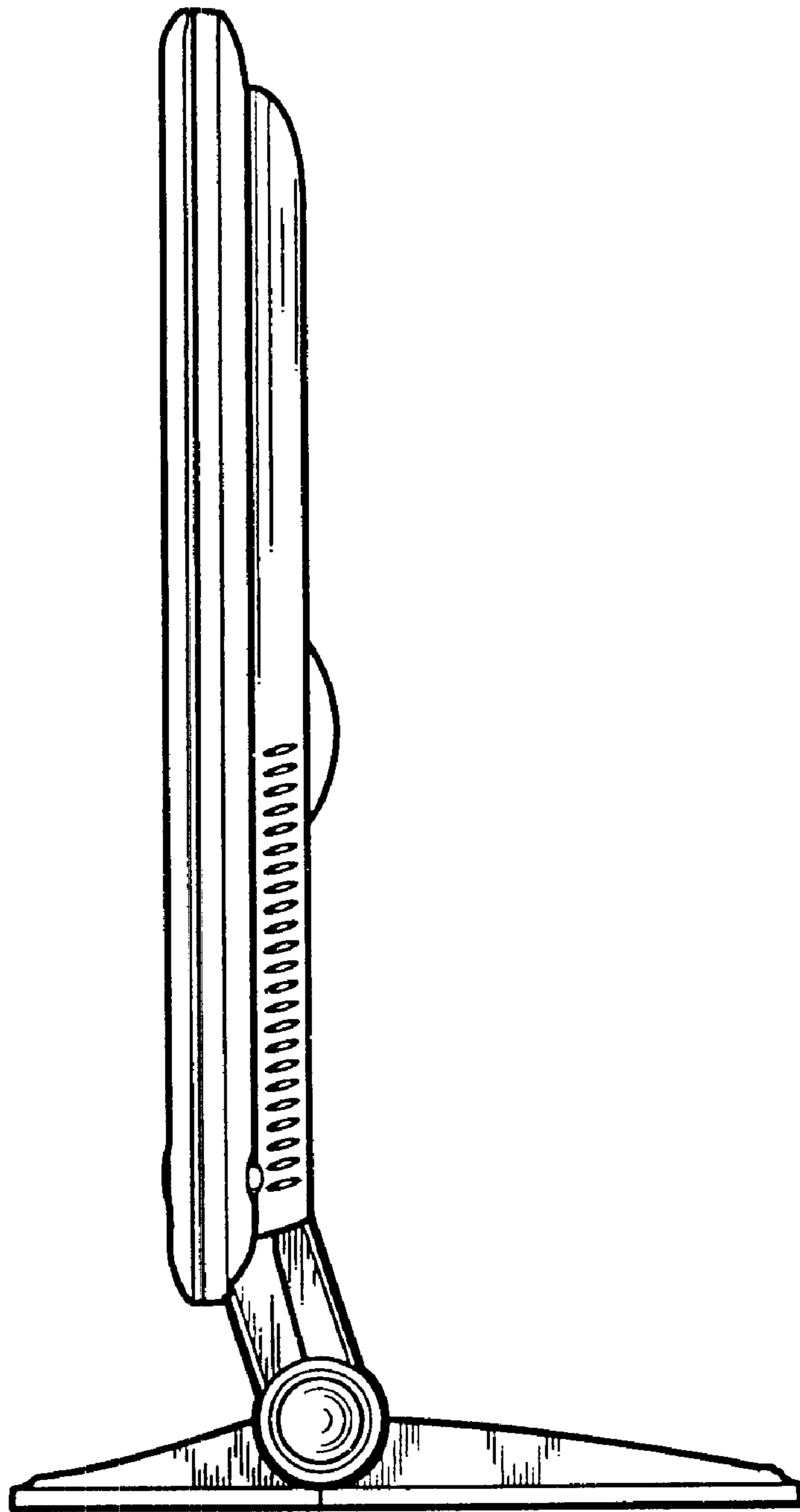


FIG. 2

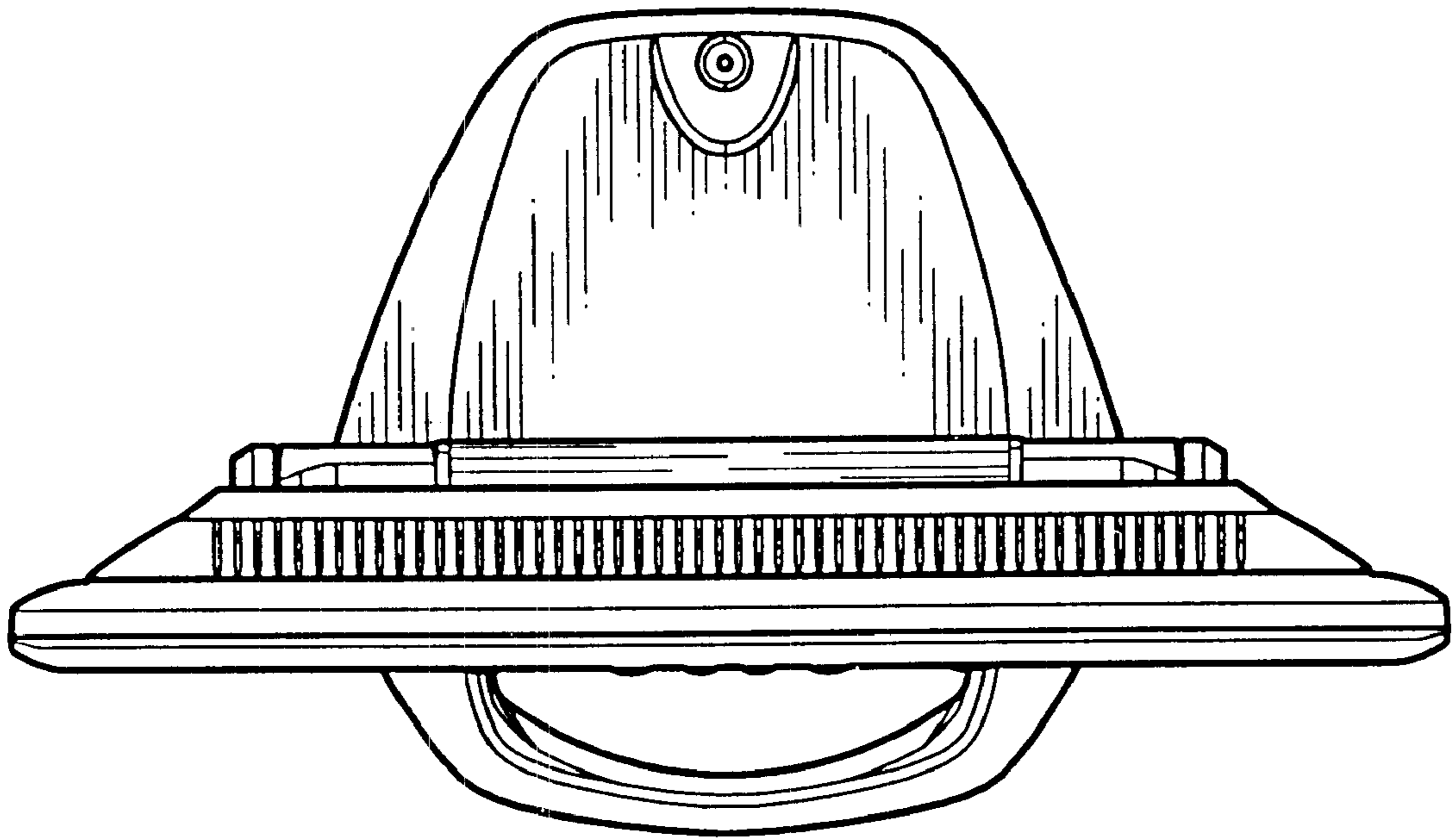


FIG. 3

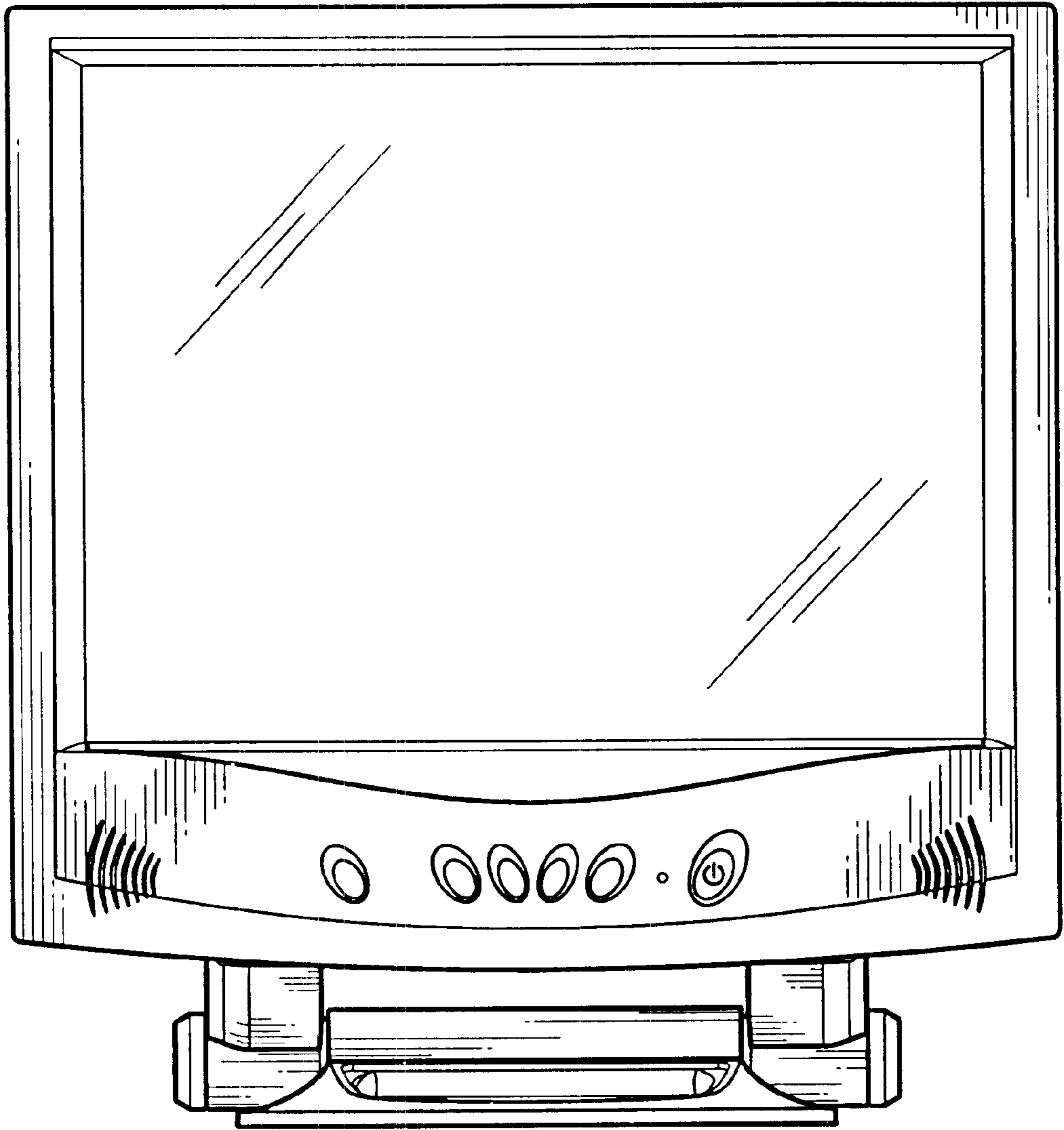


FIG. 4

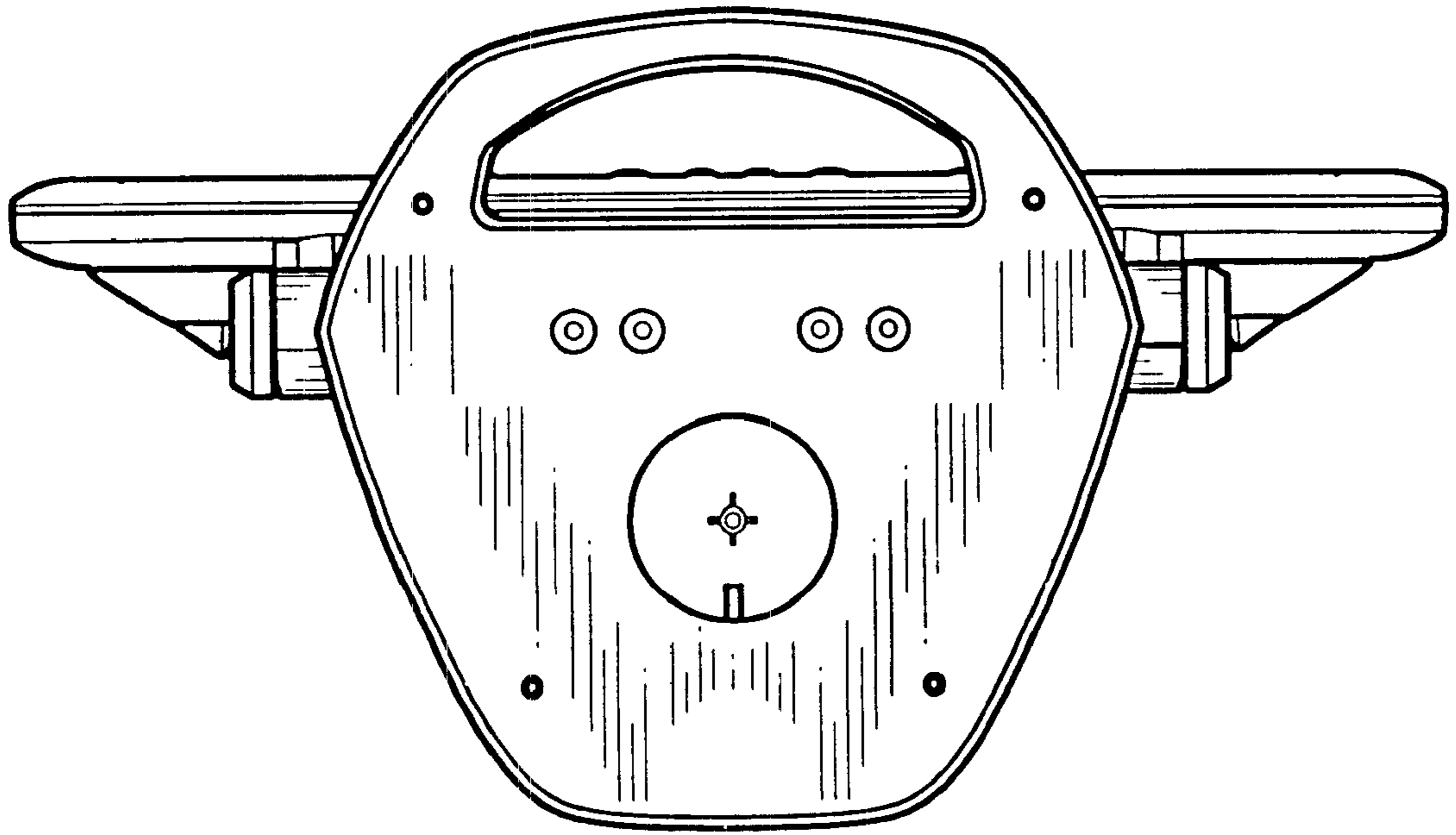


FIG. 5

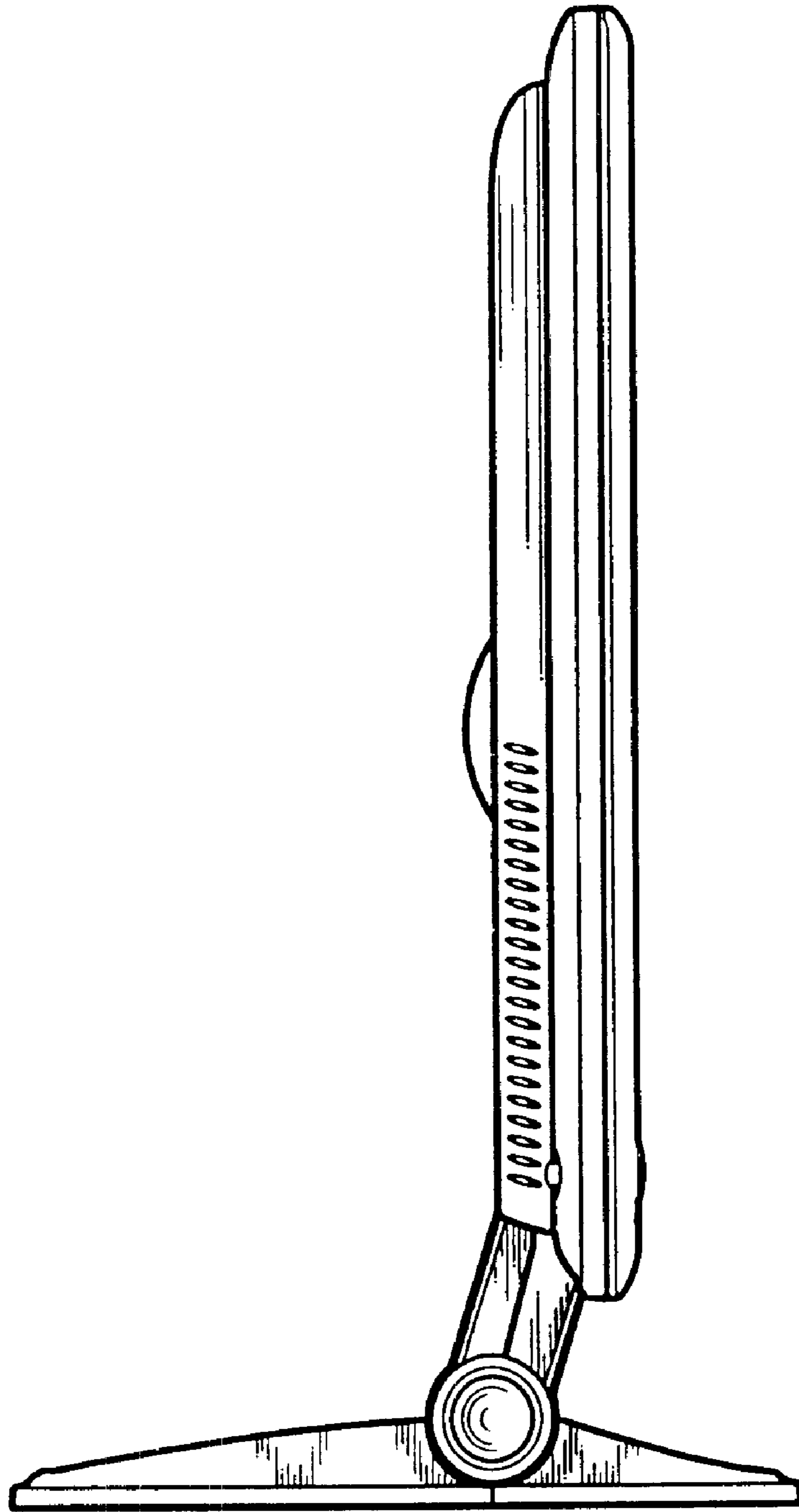


FIG. 6

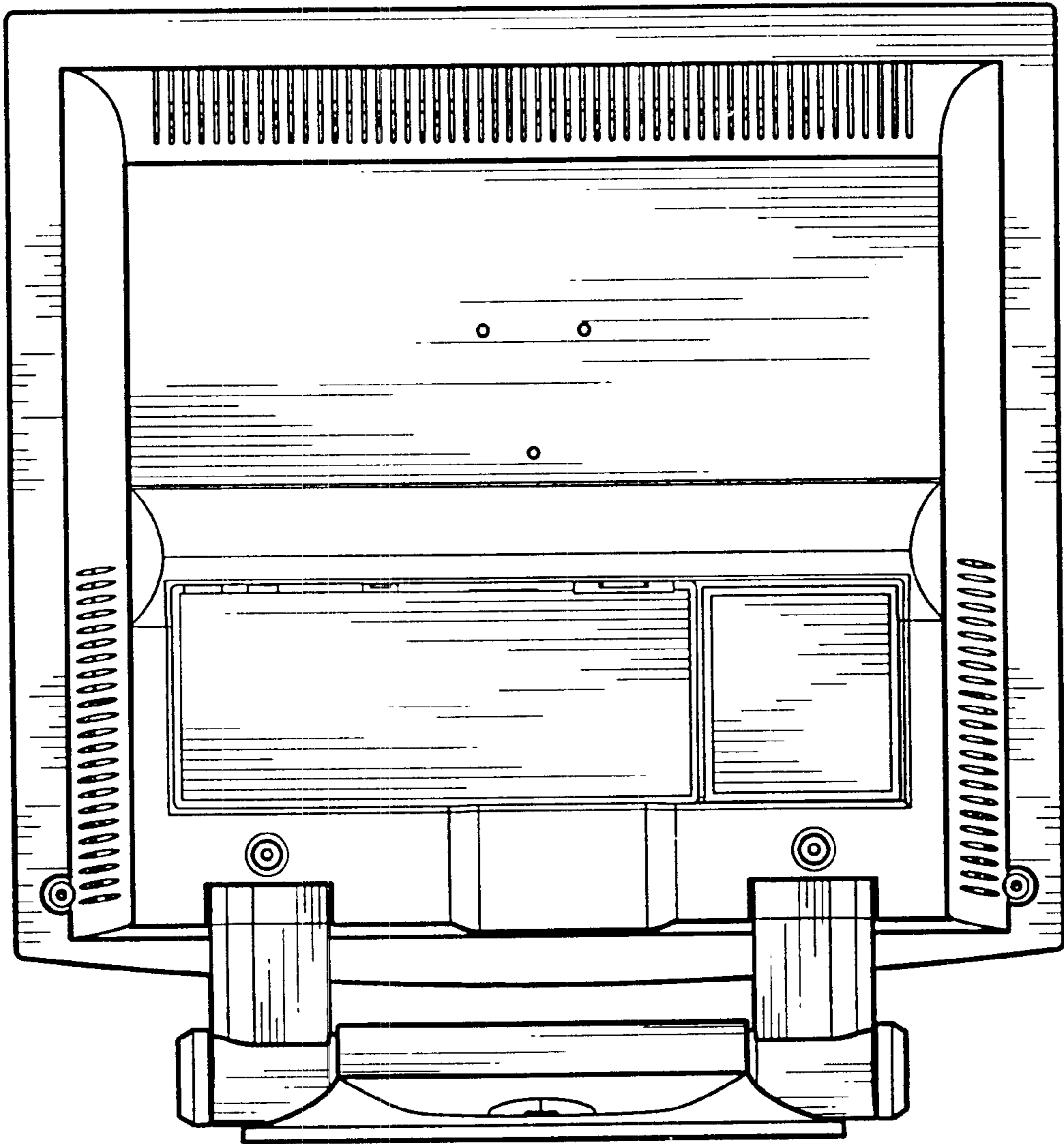


FIG. 7

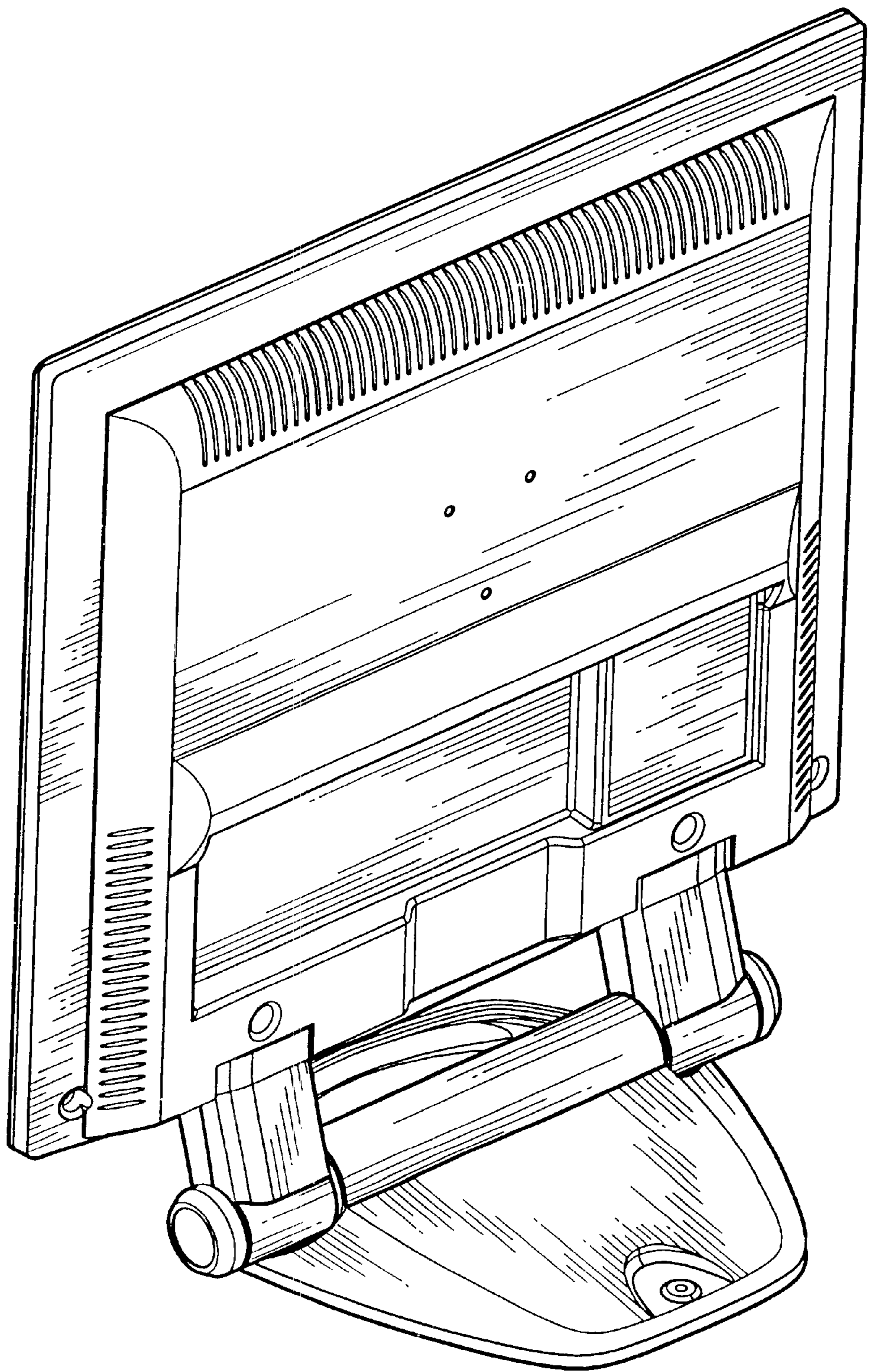


FIG. 8