



US00D464646S

(12) **United States Design Patent**  
**Lin**

(10) **Patent No.:** **US D464,646 S**

(45) **Date of Patent:** **\*\* Oct. 22, 2002**

(54) **PORTABLE WEB ACCESS DEVICE**

(75) **Inventor:** **Yu-Chi Lin, Taipei Hsieng (TW)**

(73) **Assignee:** **Inventec Appliances Corp., Taipei Hsieng (TW)**

(\*\*) **Term:** **14 Years**

(21) **Appl. No.:** **29/145,529**

(22) **Filed:** **Jul. 26, 2001**

(51) **LOC (7) Cl.** ..... **14-02**

(52) **U.S. Cl.** ..... **D14/341**

(58) **Field of Search** ..... D14/341, 342,  
D14/356, 343, 336; D19/59, 60; 345/104,  
156, 168, 173; 178/18.03; 349/12; 709/200,  
203, 218, 219; 717/175

(56) **References Cited**

**U.S. PATENT DOCUMENTS**

5,572,643 A	*	11/1996	Judson	.....	709/218
5,896,533 A	*	4/1999	Ramos et al.	.....	709/203
5,964,830 A	*	10/1999	Durrett	.....	709/200

D417,201 S	*	11/1999	Davis	.....	D14/343
6,038,598 A	*	3/2000	Danneels	.....	709/219
6,096,096 A	*	8/2000	Murphy et al.	.....	717/175
D432,124 S	*	10/2000	Pardikes et al.	.....	D14/336
D437,593 S	*	2/2001	Keeler et al.	.....	D14/336

\* cited by examiner

*Primary Examiner*—Freda Nunn

(74) *Attorney, Agent, or Firm*—Bacon & Thomas, PLLC

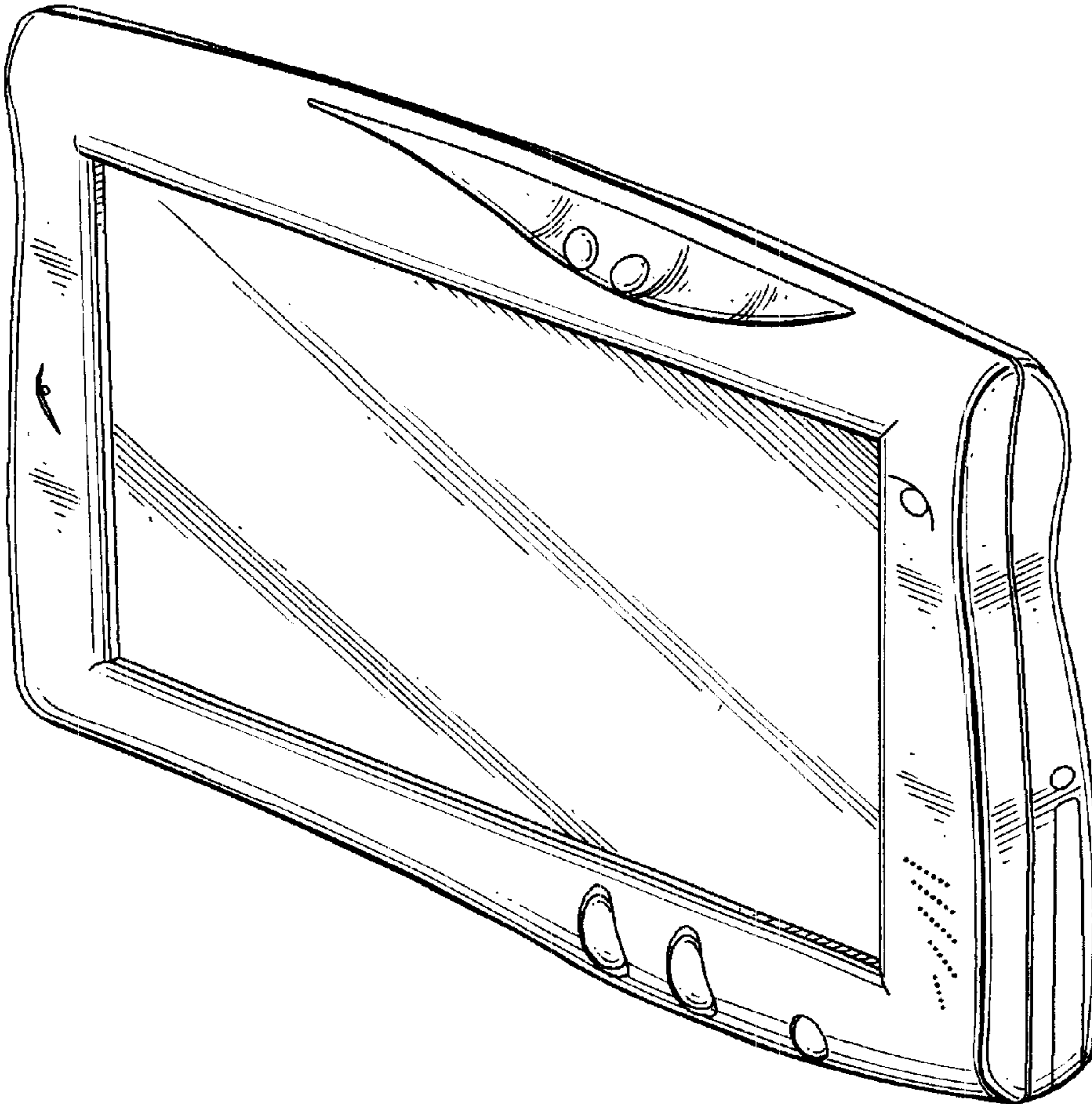
(57) **CLAIM**

The ornamental design for portable web access device, as shown and described.

**DESCRIPTION**

FIG. 1 is a front and top perspective view of a portable web access device showing my new design.  
FIG. 2 is a front elevational view thereof;  
FIG. 3 is a rear elevational view thereof;  
FIG. 4 is a left side elevational view thereof;  
FIG. 5 is a right side elevational view thereof;  
FIG. 6 is a top plan view thereof; and,  
FIG. 7 is a bottom plan view thereof.

**1 Claim, 3 Drawing Sheets**



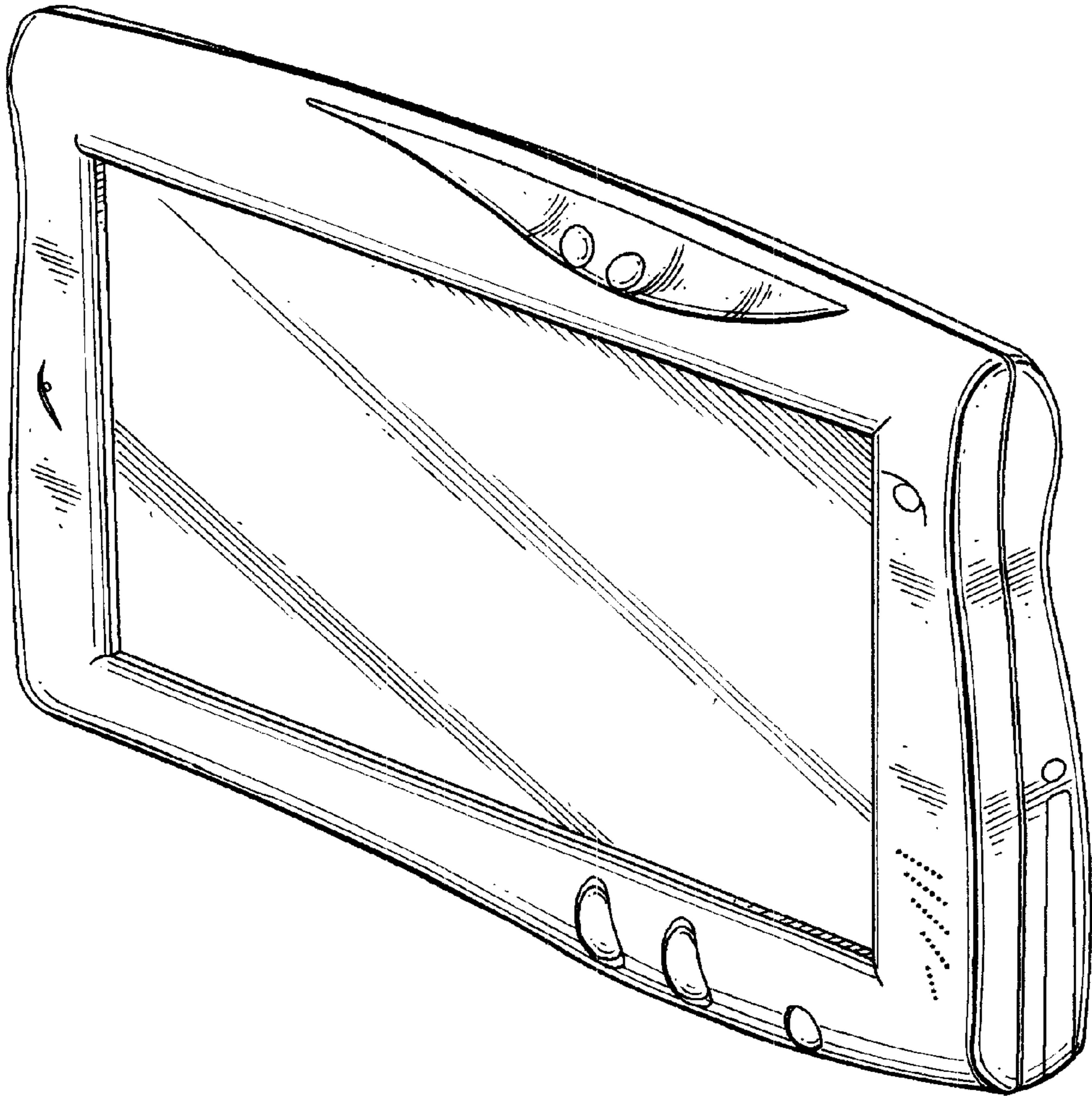


FIG. 1

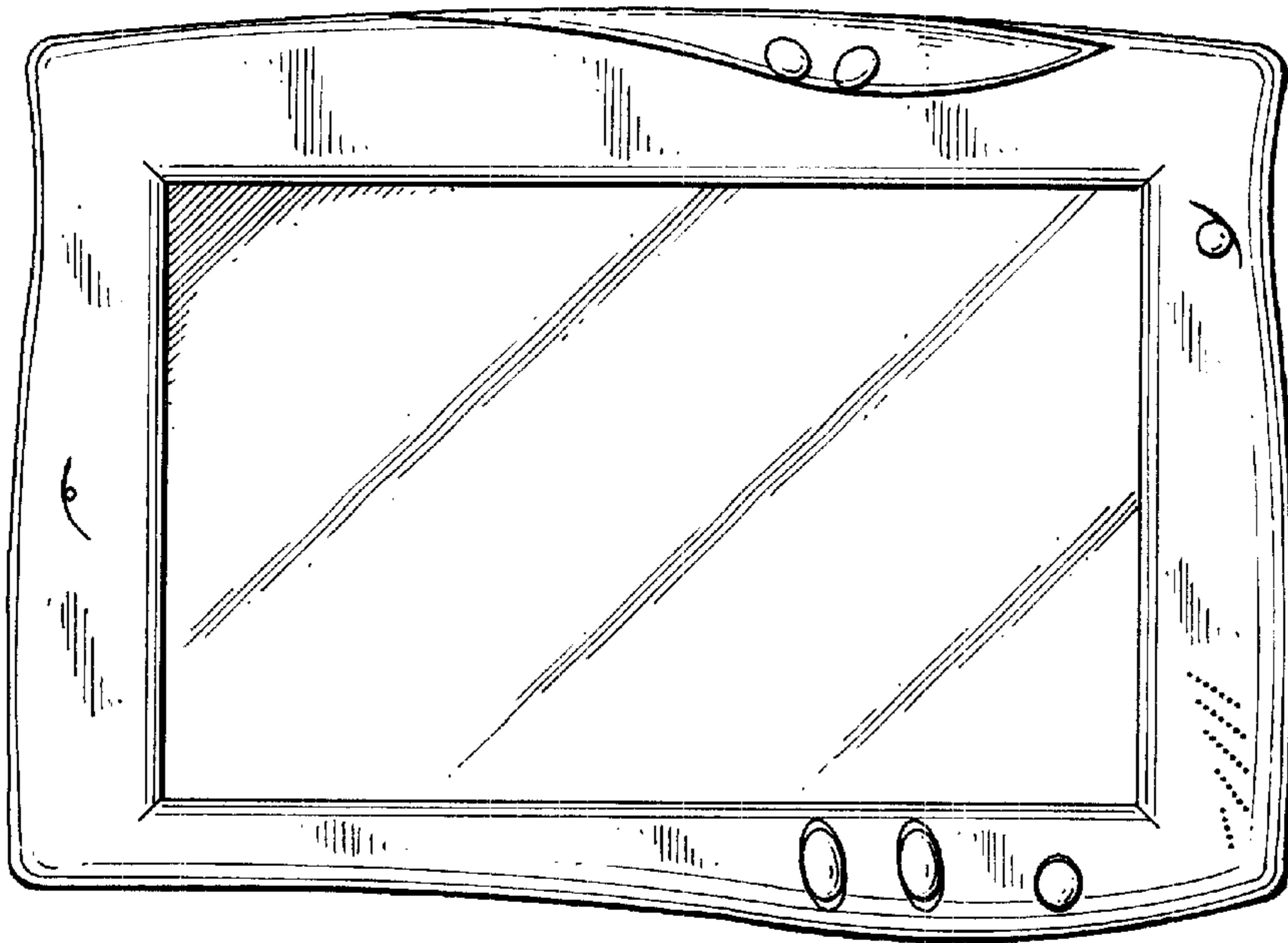


FIG. 2

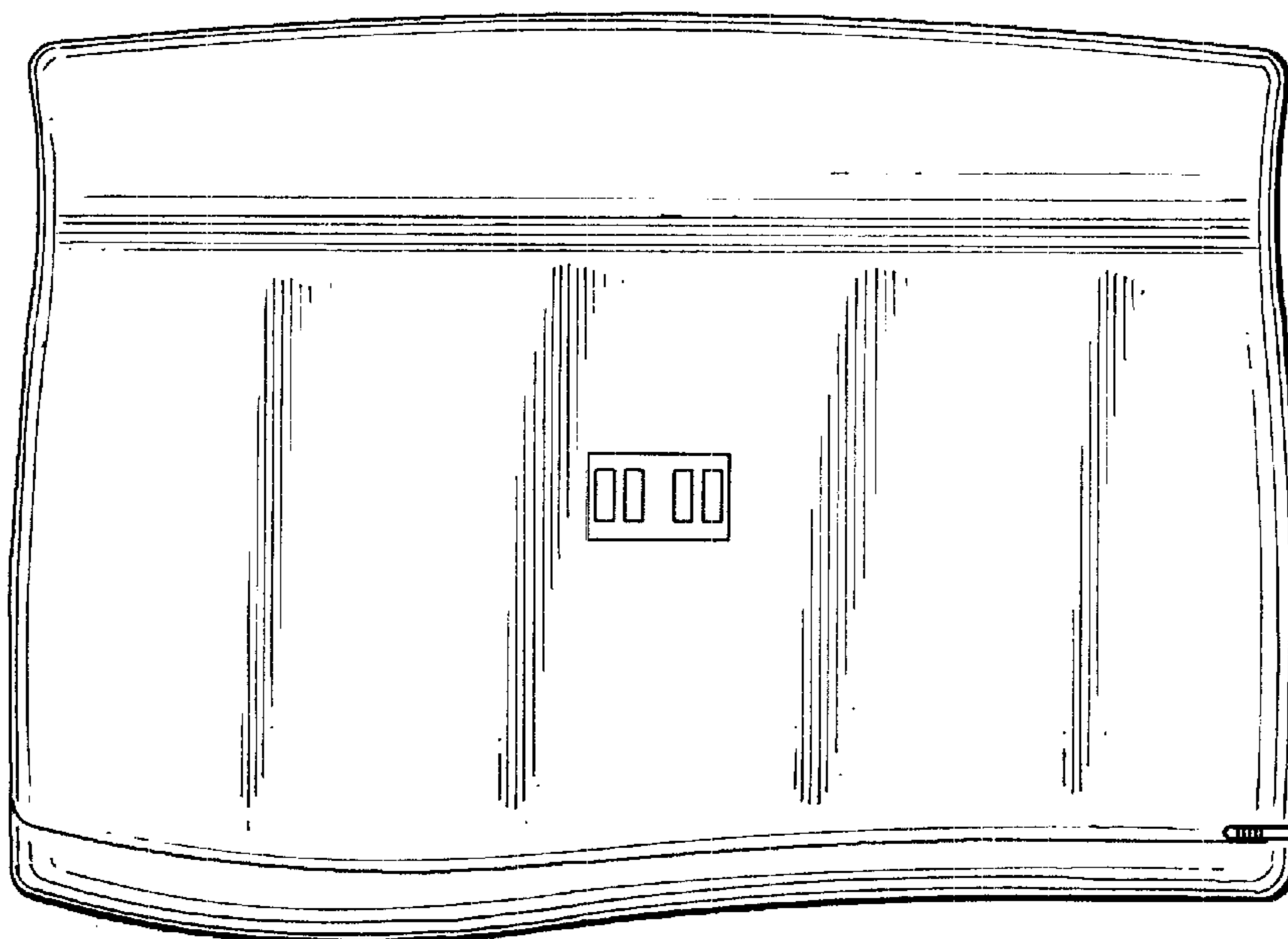


FIG. 3

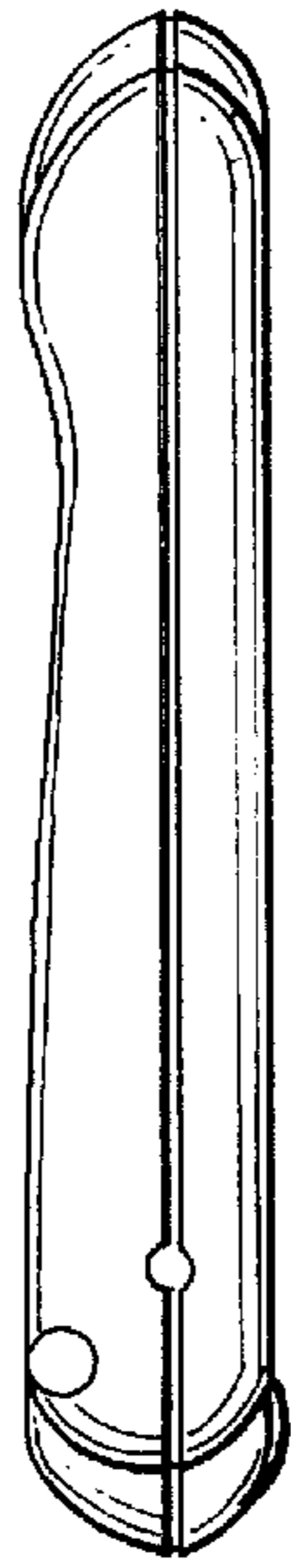


FIG. 4

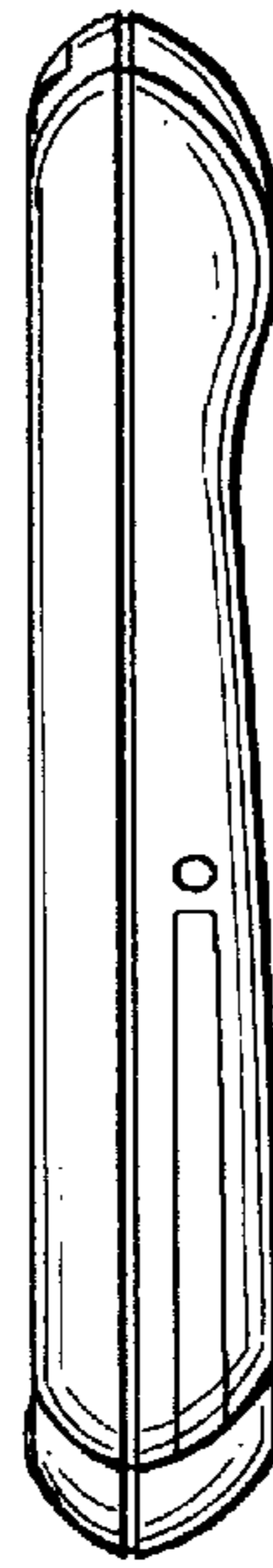


FIG. 5

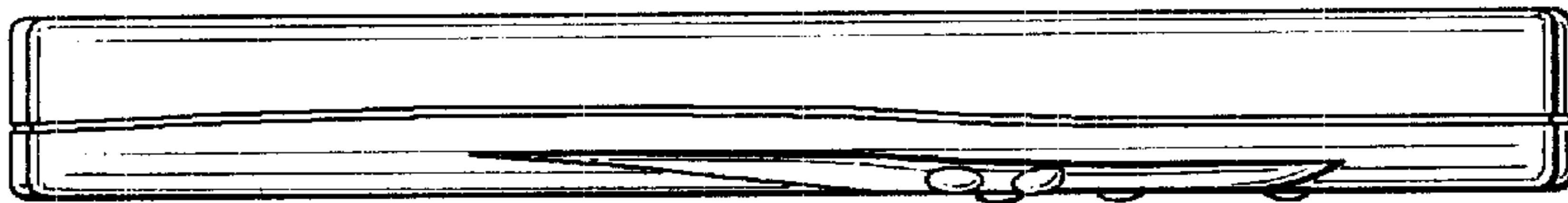


FIG. 6

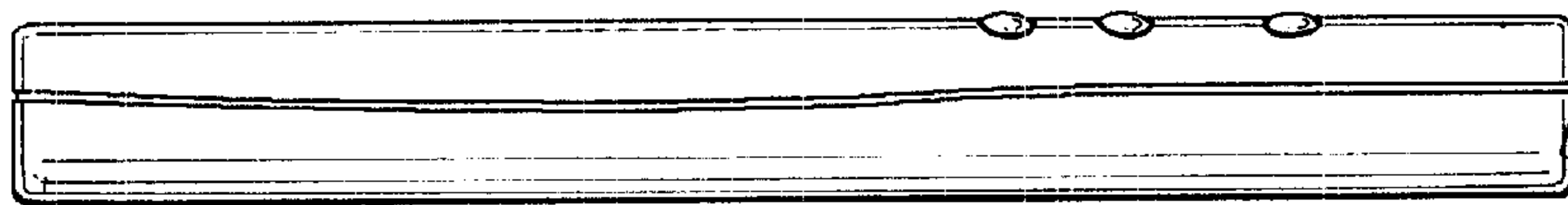


FIG. 7