



US00D464643S

(12) **United States Design Patent**
Hill et al.

(10) **Patent No.:** **US D464,643 S**

(45) **Date of Patent:** **** Oct. 22, 2002**

(54) **OUTDOOR COMMUNICATIONS CABINET**

(75) Inventors: **Peter G. Hill**, Ottawa (CA); **Clifford D. Read**, Carp (CA); **Mark J. Sonderegger**, Kanata (CA); **Jacques J. Gagnon**, Nepean (CA); **Vincent E. Somoza**, Kanata (CA); **Marek Bugajski**, Norcross, GA (US); **Quintin A. Boe**, Lilburn, GA (US); **Michael Horton**, Plano, TX (US)

(73) Assignee: **Nortel Networks Limited**, St. Laurent (CA)

(**) Term: **14 Years**

(21) Appl. No.: **29/133,149**

(22) Filed: **Nov. 24, 2000**

(51) **LOC (7) Cl.** **14-03**

(52) **U.S. Cl.** **D14/240; D13/152**

(58) **Field of Search** D14/137, 240, D14/138, 242, 308, 356, 357, 358, 311, 313, 441, 144, 348-355, 370, 341-347, 125, 432, 433, 155, 299, 257, 439, 140, 188, 230, 241, 243, 245; 379/433.01-433.13, 419, 434, 428.01-428.04, 420.01-420.04, 440, 441, 442; 455/550-575, 90; D13/184, 123, 152, 147, 110

(56) **References Cited**

U.S. PATENT DOCUMENTS

D330,890 S	*	11/1992	Loew	D14/345
D342,249 S	*	12/1993	Beaumont et al.	D14/142
D346,386 S	*	4/1994	Brownlie et al.	D14/240
D349,687 S	*	8/1994	Khoo et al.	D13/162
D357,899 S	*	5/1995	Hopkins et al.	D13/152

D367,859 S	*	3/1996	Beaumont et al.	D14/142
D373,316 S	*	9/1996	Walters	D10/104
D374,673 S	*	10/1996	Beaumont et al.	D14/240
D377,652 S	*	1/1997	Sarkiniemi	D14/240
D390,570 S	*	2/1998	Read	D14/240
5,761,612 A	*	6/1998	Read	455/90
5,828,807 A	*	10/1998	Tucker et al.	385/135
D409,582 S	*	5/1999	Falkenberg	D14/451
D411,535 S	*	6/1999	Beaumont et al.	D14/137
D413,578 S	*	9/1999	Larson et al.	D13/152
D418,515 S	*	1/2000	Tucker et al.	D14/240
D418,822 S	*	1/2000	Worley et al.	D14/356
D425,484 S	*	5/2000	Ahlgren	D13/147
D446,207 S	*	8/2001	Matthes et al.	D14/299
6,328,612 B1	*	12/2001	Chung	439/717
D453,154 S	*	1/2002	Astradsson	D14/240
D454,556 S	*	3/2002	Schmidt et al.	D14/240

* cited by examiner

Primary Examiner—Jeffrey Asch

(74) *Attorney, Agent, or Firm*—Nortel Networks

(57) **CLAIM**

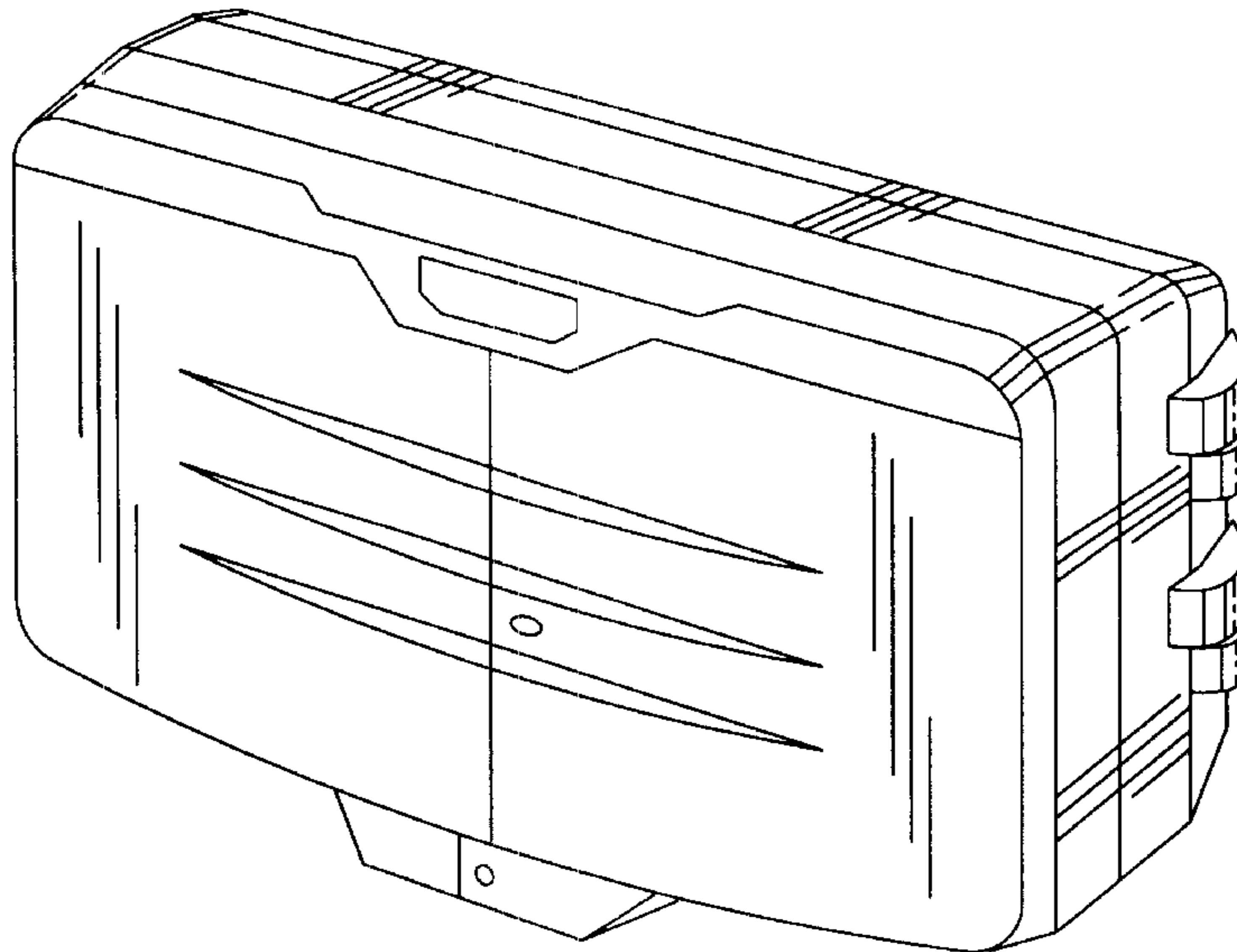
The ornamental design for an outdoor communications cabinet, as shown and described.

DESCRIPTION

FIG. 1 is a perspective view thereof;
FIG. 2 is a top view thereof;
FIG. 3 is a bottom view thereof;
FIG. 4 is a front view thereof;
FIG. 5 is a back view thereof;
FIG. 6 is a right side view thereof; and,
FIG. 7 is a left side view thereof.

The characteristic features of the design reside in the shape and ornamentation of the entire cabinet as shown in the drawings.

1 Claim, 4 Drawing Sheets



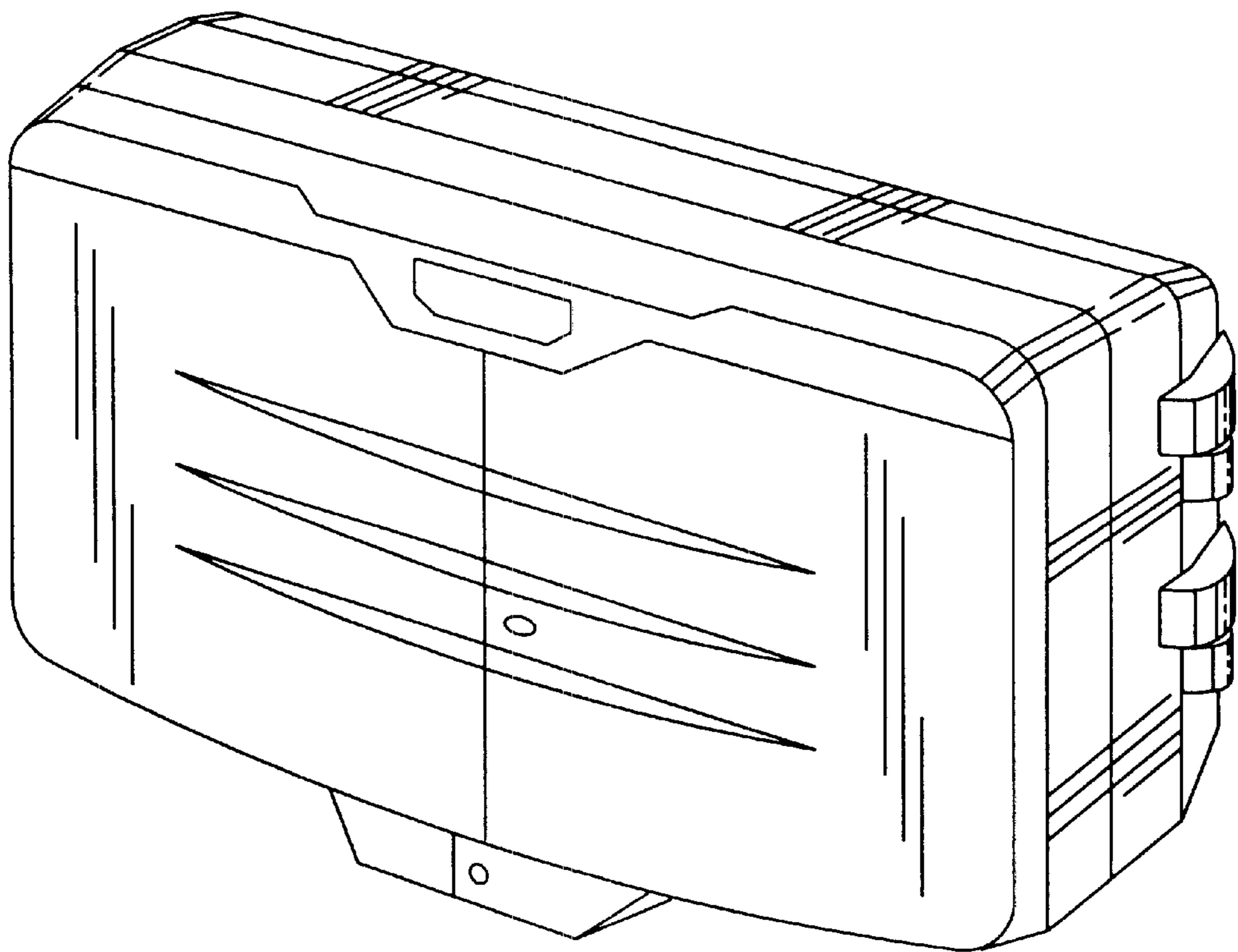


FIG. 1

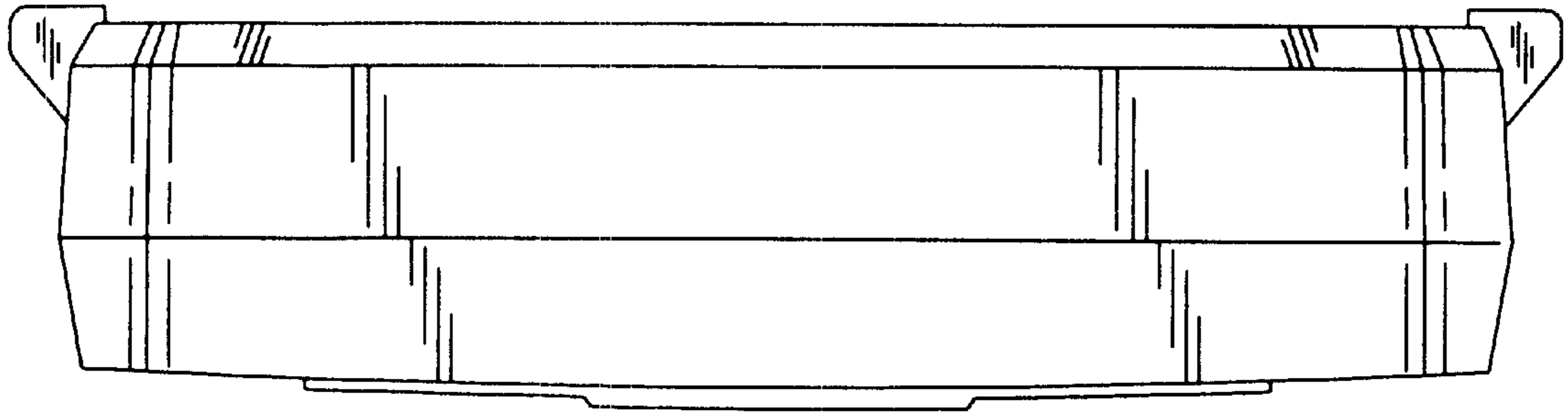


FIG. 2

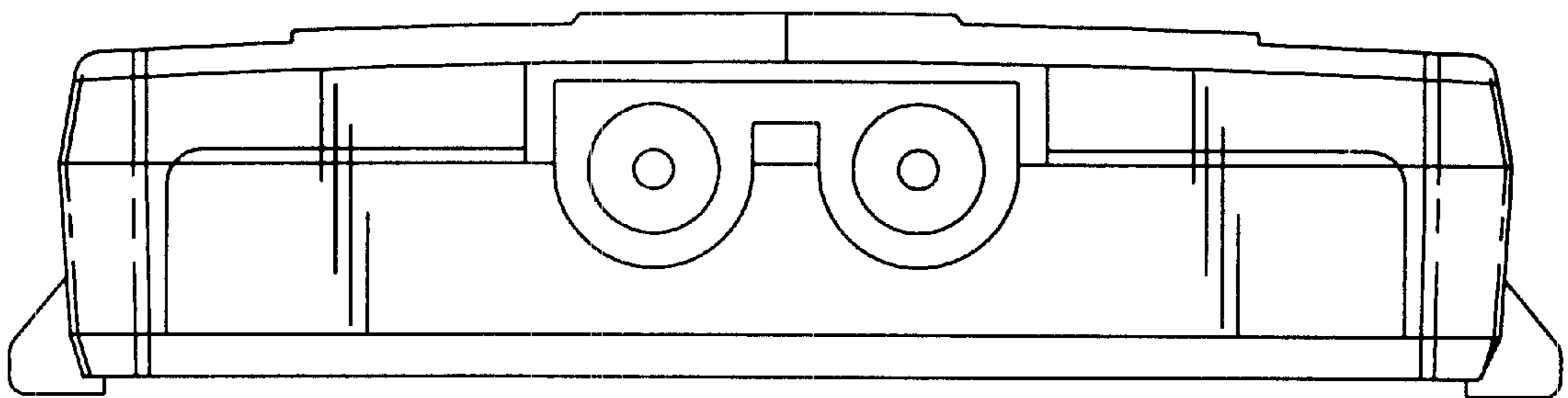


FIG. 3

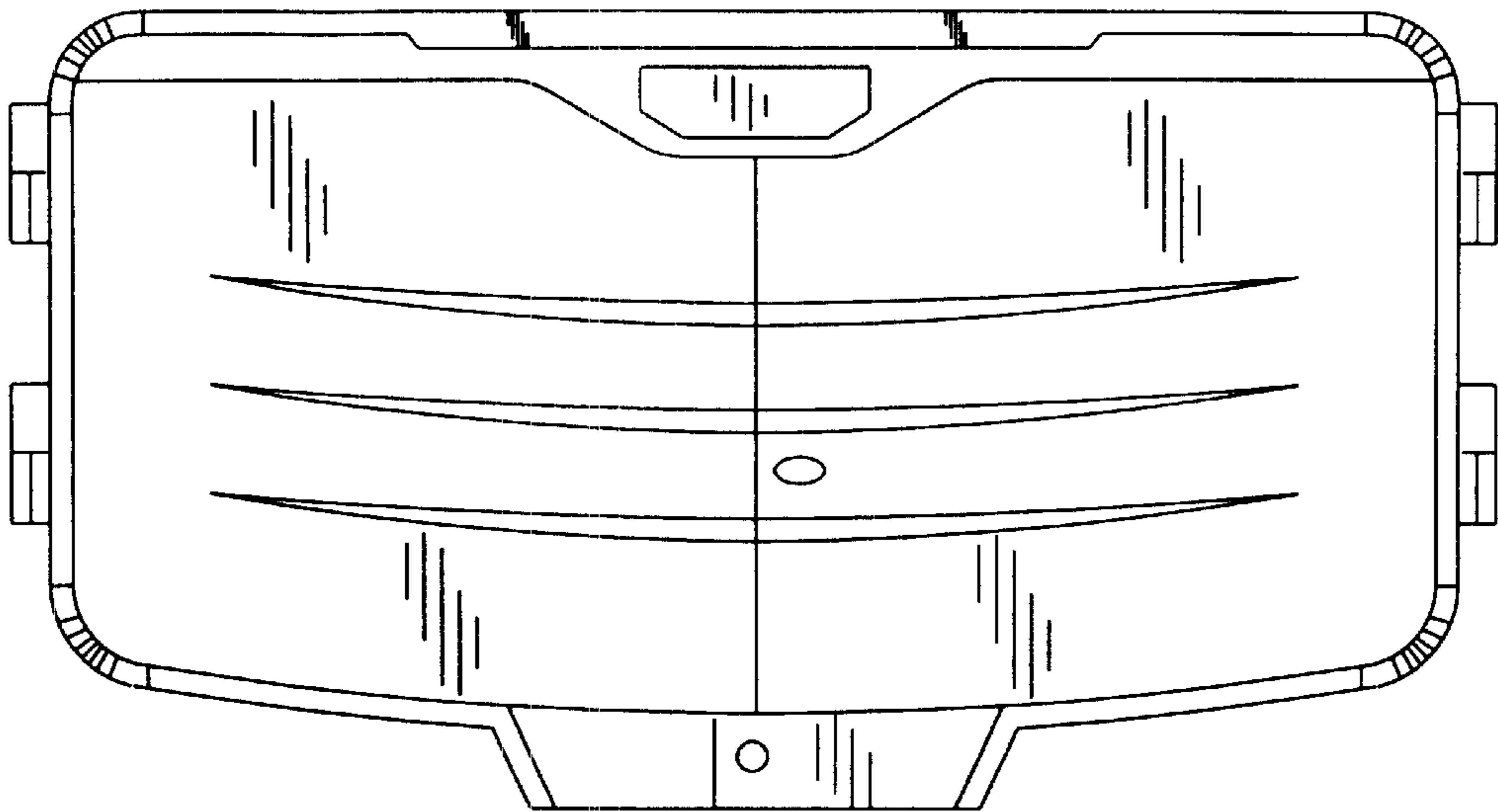


FIG. 4

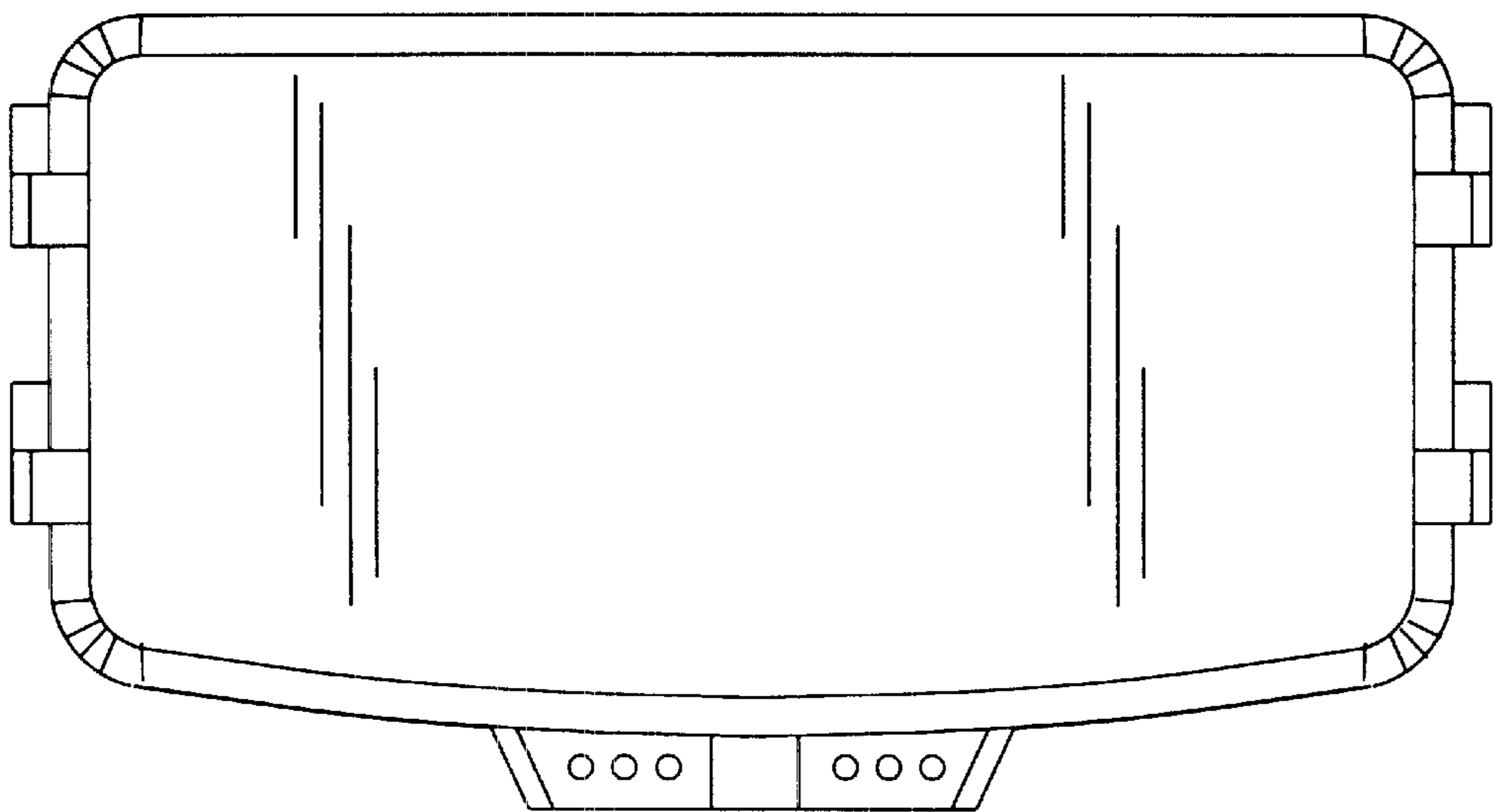


FIG. 5

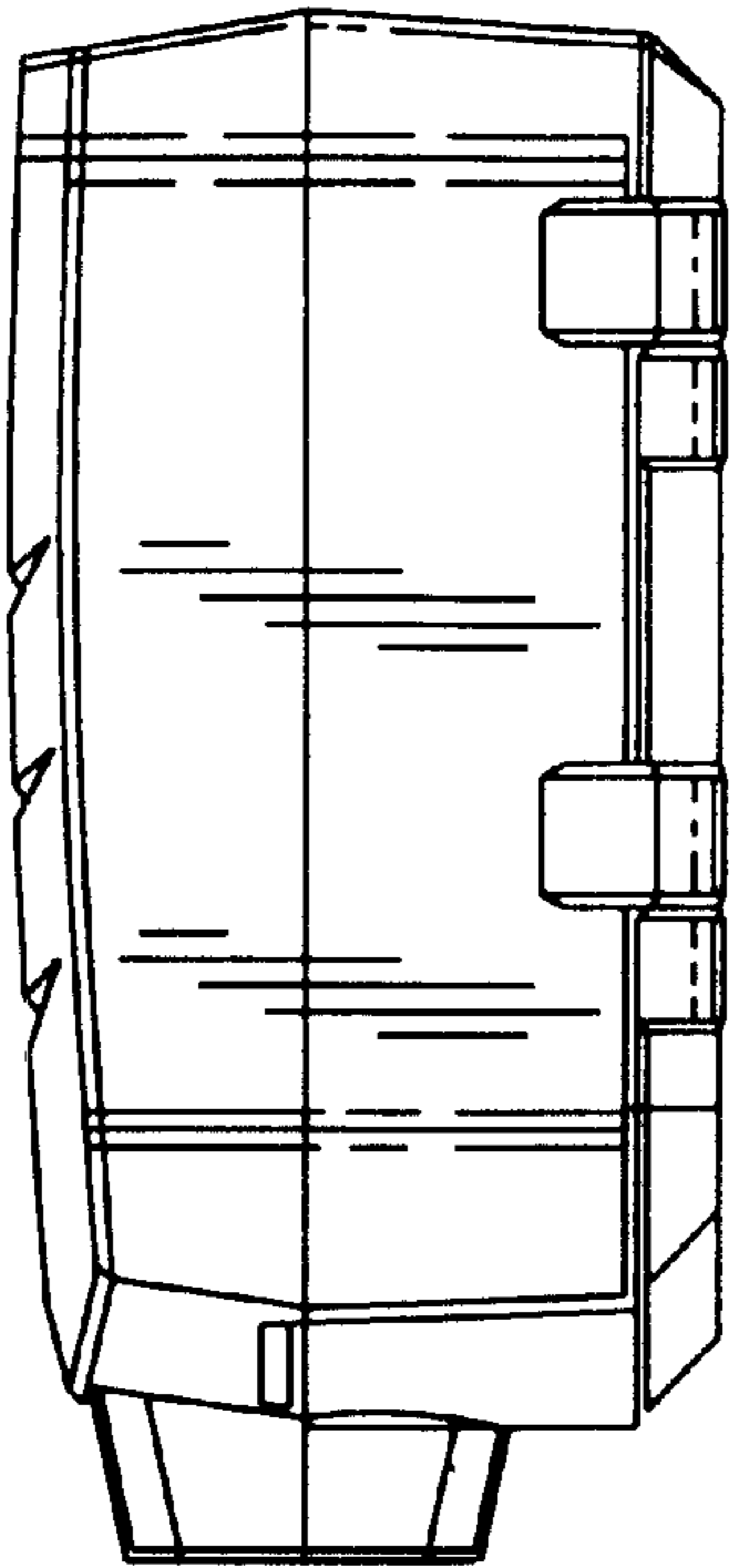


FIG. 6

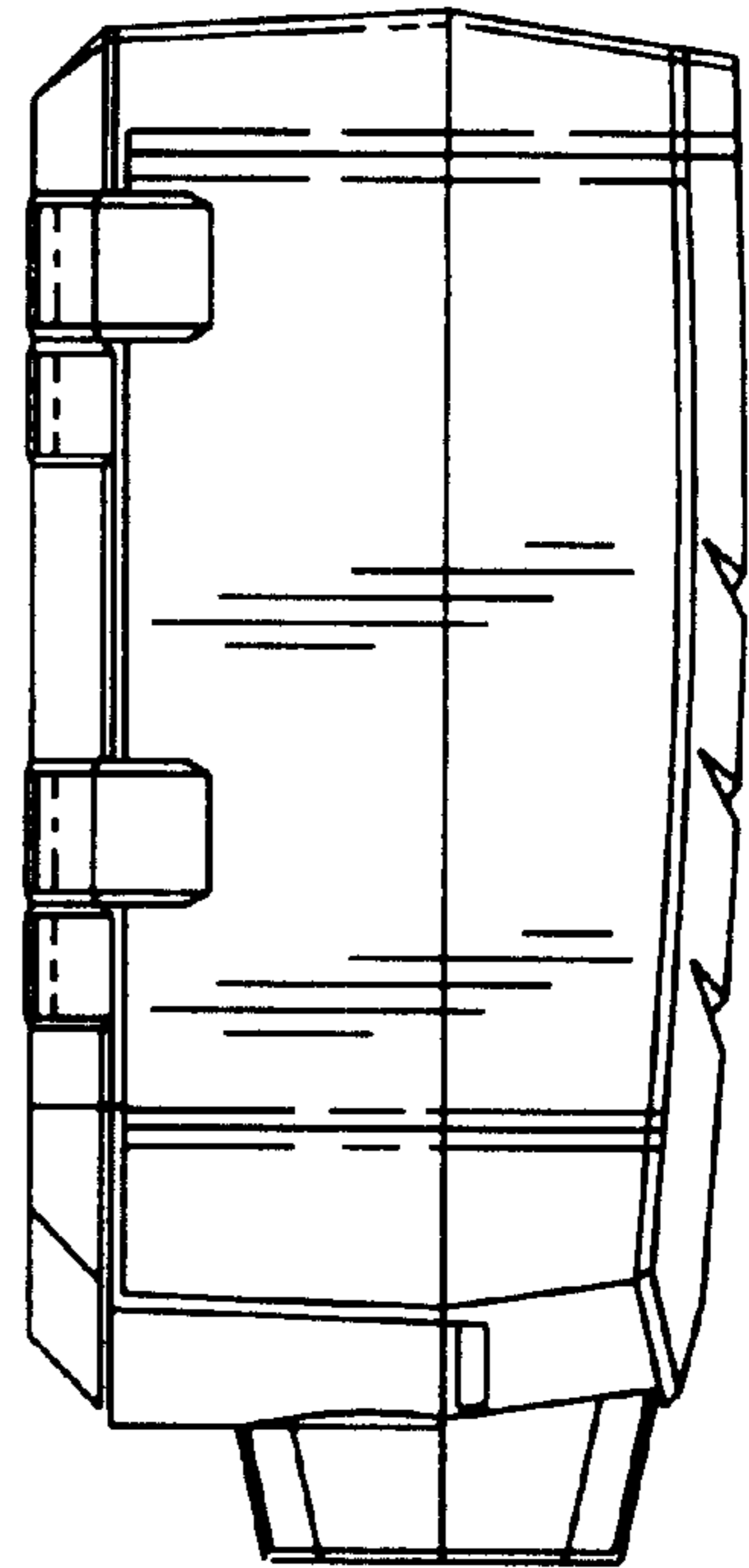


FIG. 7