



US00D464642S

(12) **United States Design Patent**
Kanno

(10) **Patent No.:** **US D464,642 S**

(45) **Date of Patent:** **** Oct. 22, 2002**

(54) **CAP OF RECORDING DEVICE**

(75) Inventor: **Ryuta Kanno**, Tokyo (JP)

(73) Assignee: **Sony Corporation**, Tokyo (JP)

(**) Term: **14 Years**

(21) Appl. No.: **29/142,481**

(22) Filed: **May 29, 2001**

(51) **LOC (7) Cl.** **14-99**

(52) **U.S. Cl.** **D14/217**

(58) **Field of Search** D7/629; D9/434-435,
D9/447; D14/160-165, 167-168, 188, 192-198,
217, 299; 215/200, 224; 220/281, 793,
805

(56) **References Cited**

U.S. PATENT DOCUMENTS

D254,482 S *	3/1980	Bell	D9/435
D315,095 S *	3/1991	Wright	D9/443
D327,221 S *	6/1992	Simmons	D9/443
5,425,467 A *	6/1995	Feer et al.	220/281
D368,032 S *	3/1996	Couto	D9/435

* cited by examiner

Primary Examiner—Nanda Bondade

(74) *Attorney, Agent, or Firm*—Rader, Fishman & Grauer PLLC

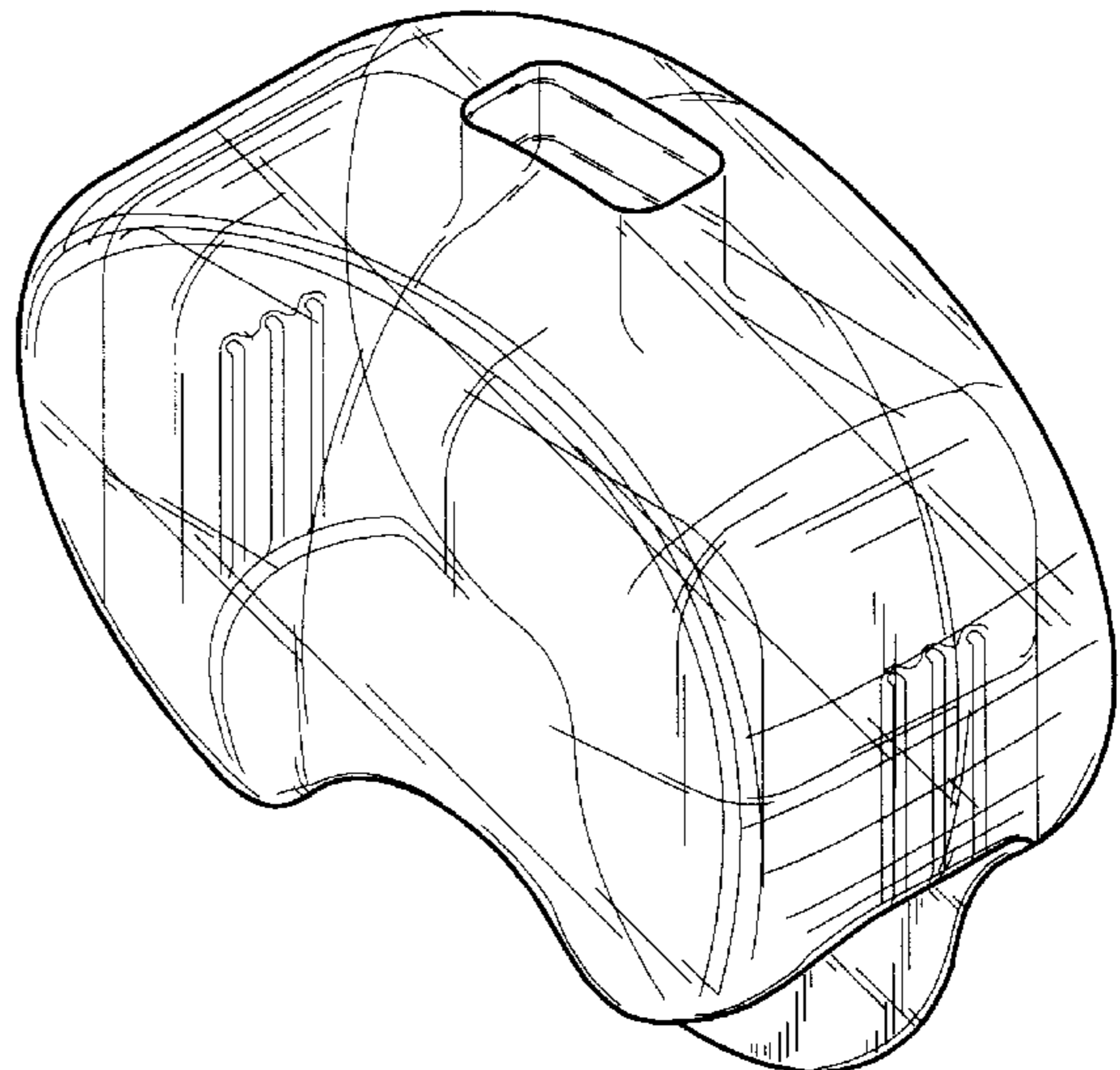
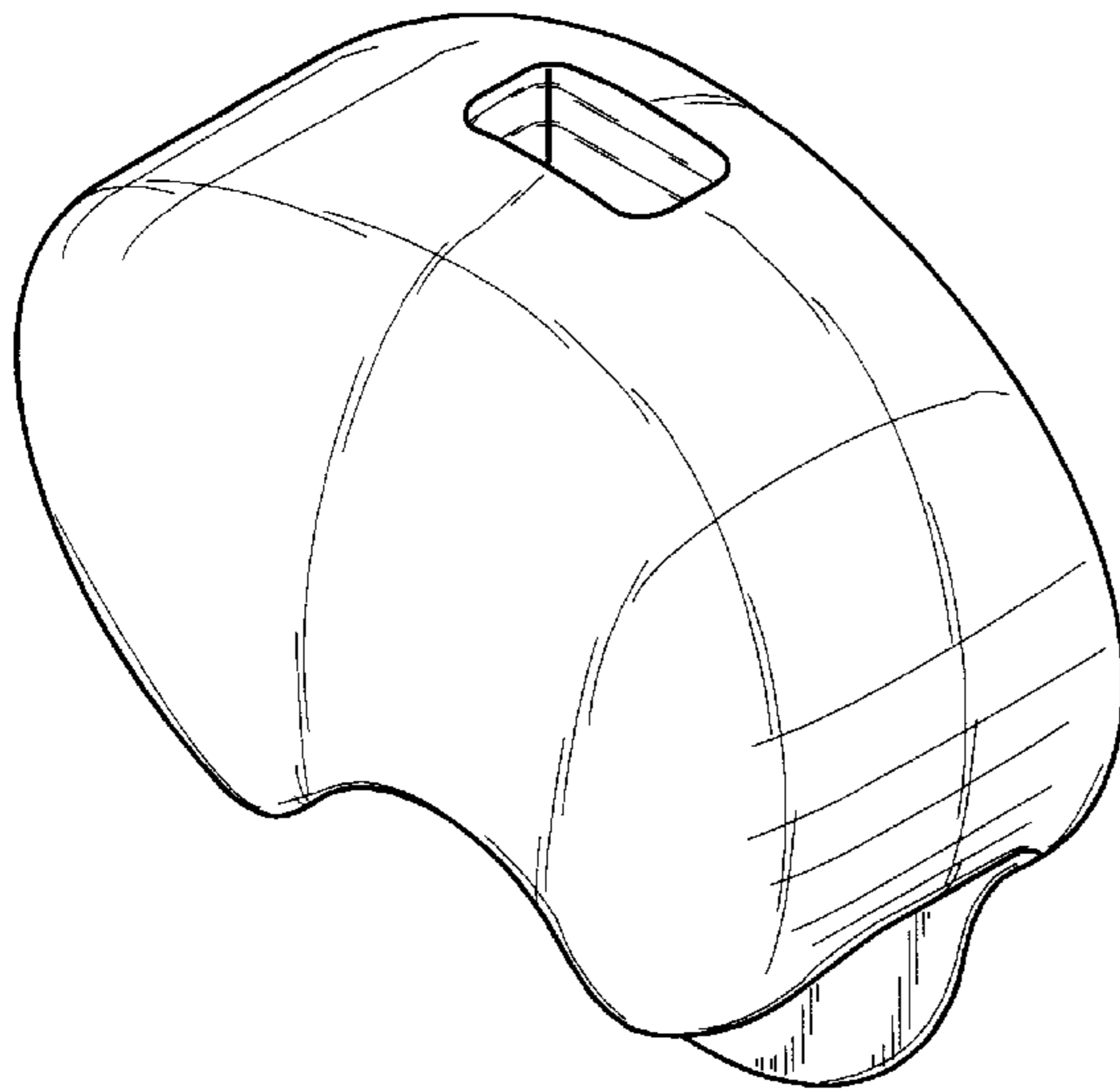
(57) **CLAIM**

The ornamental design for a cap of recording device, as shown and described.

DESCRIPTION

FIG. 1 is a perspective view of a cap of recording device showing my new design;
 FIG. 2 is a front elevational view thereof;
 FIG. 3 is a rear elevational view thereof;
 FIG. 4 is a left side elevational view thereof;
 FIG. 5 is a right side elevational view thereof;
 FIG. 6 is a top plan view thereof; and
 FIG. 7 is a bottom plan view thereof.
 FIG. 8 is a perspective view of another embodiment of a cap of recording device showing my new design;
 FIG. 9 is a front elevational view thereof;
 FIG. 10 is a rear elevational view thereof;
 FIG. 11 is a left side elevational view thereof;
 FIG. 12 is a right side elevational view thereof;
 FIG. 13 is a top plan view thereof; and,
 FIG. 14 is a bottom plan view thereof.

1 Claim, 8 Drawing Sheets



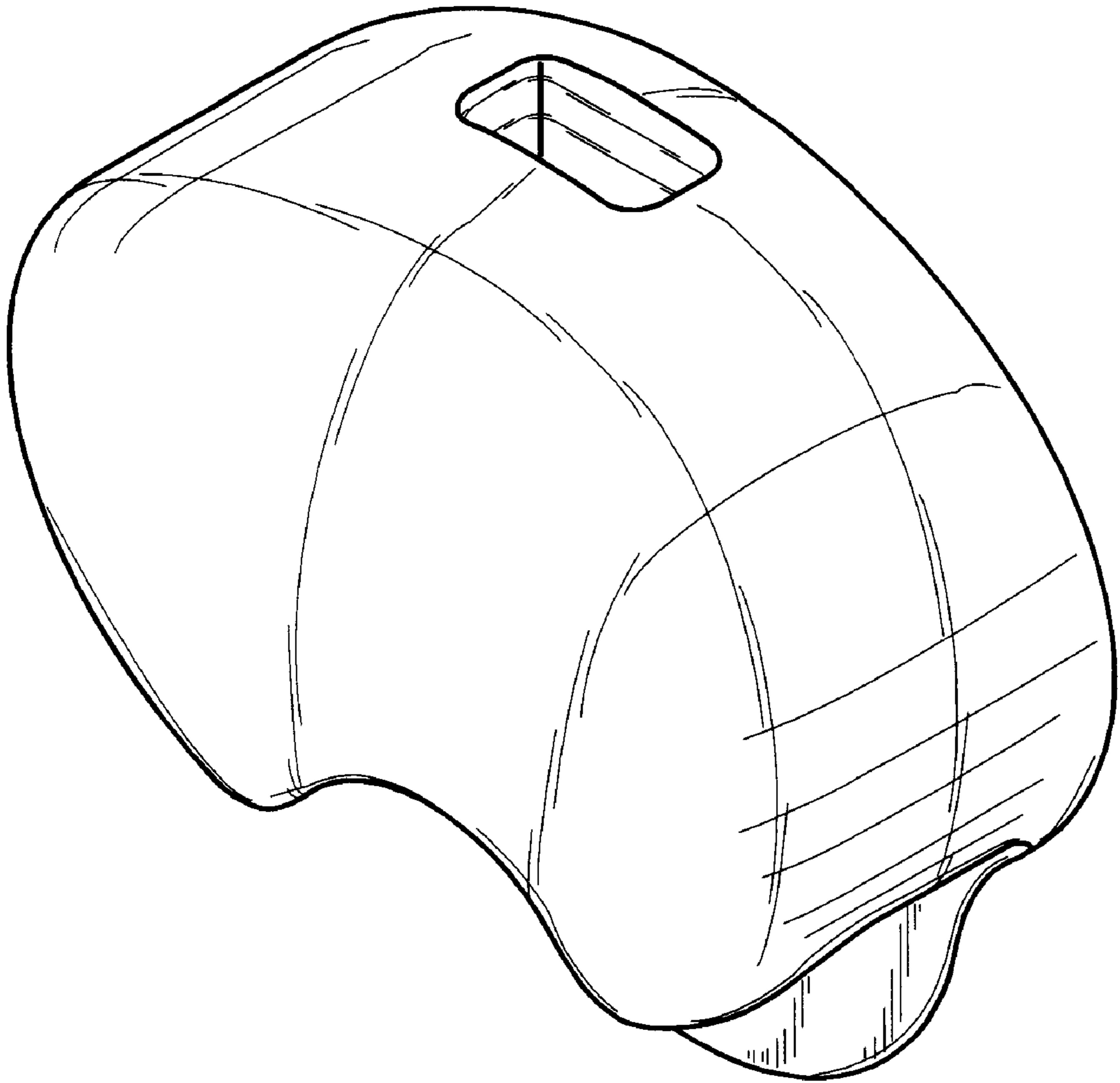


Fig. 1

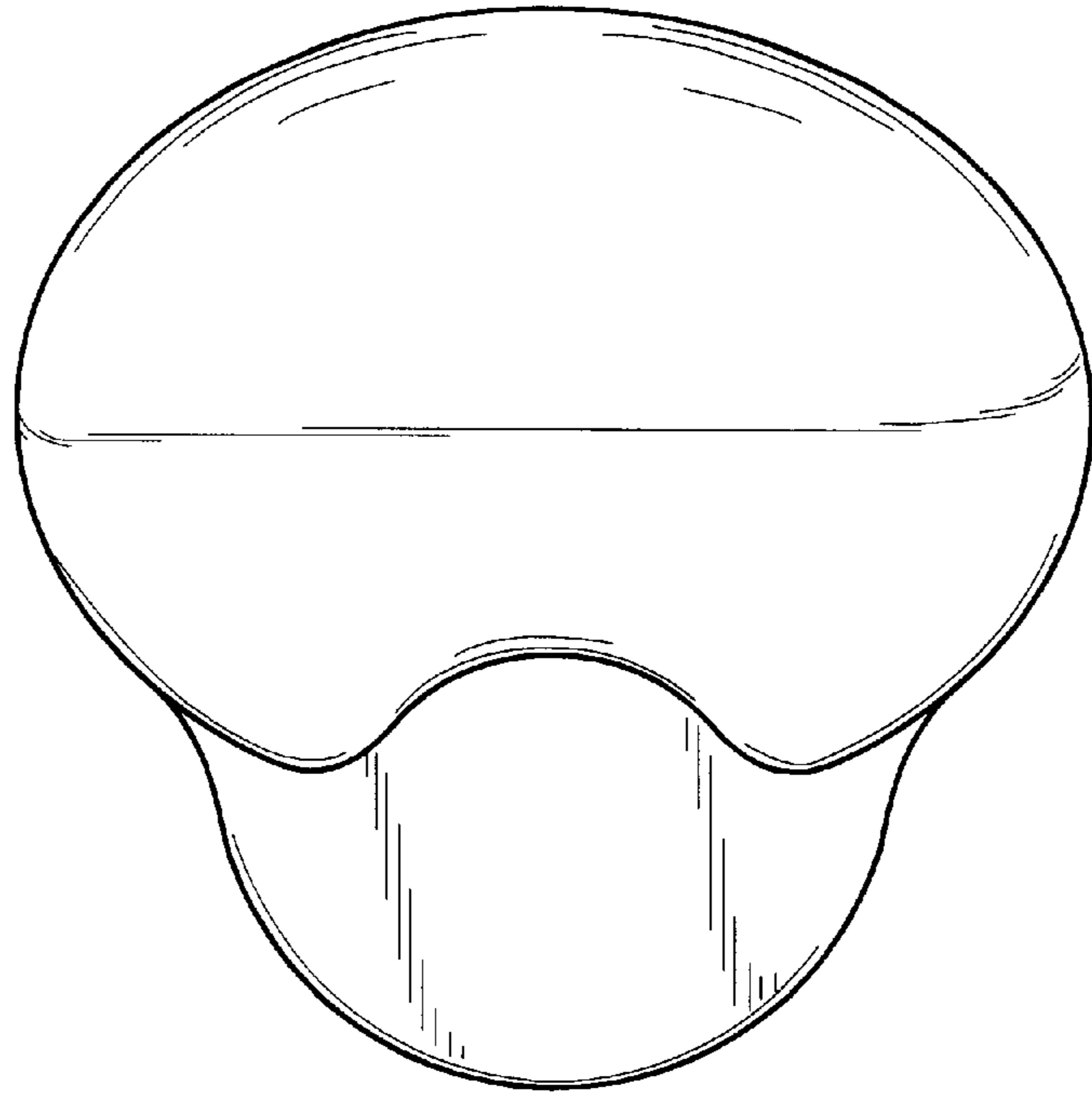


Fig. 2

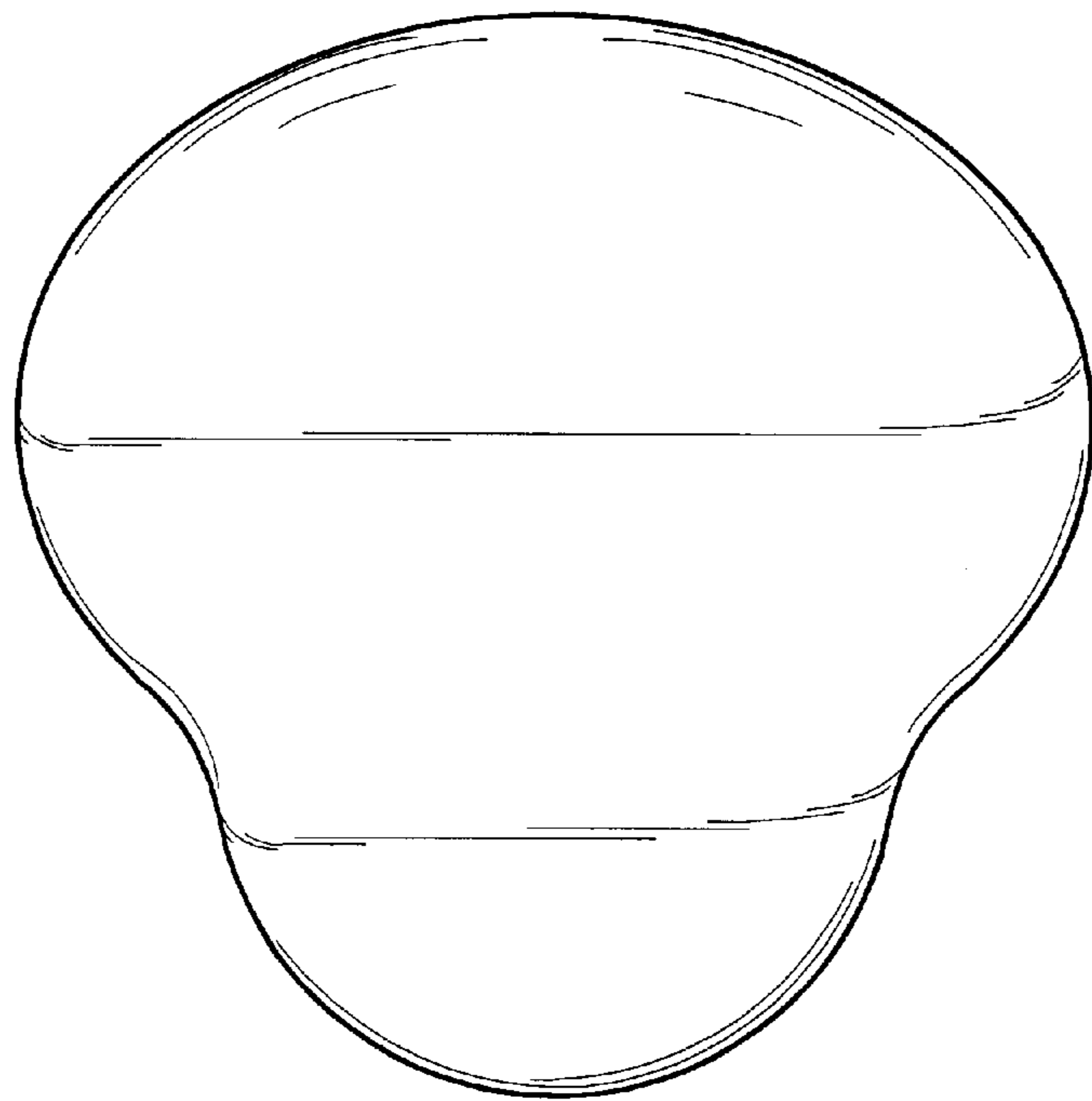


Fig. 3

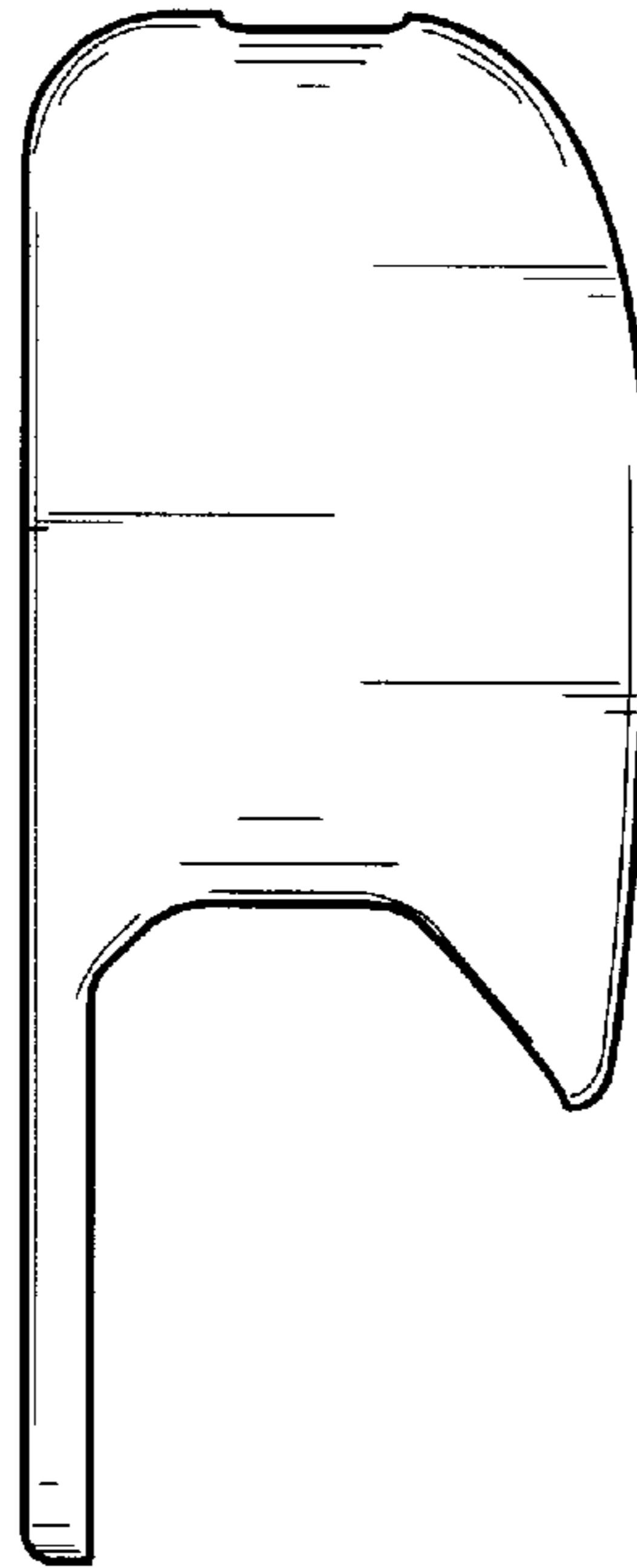


Fig. 4

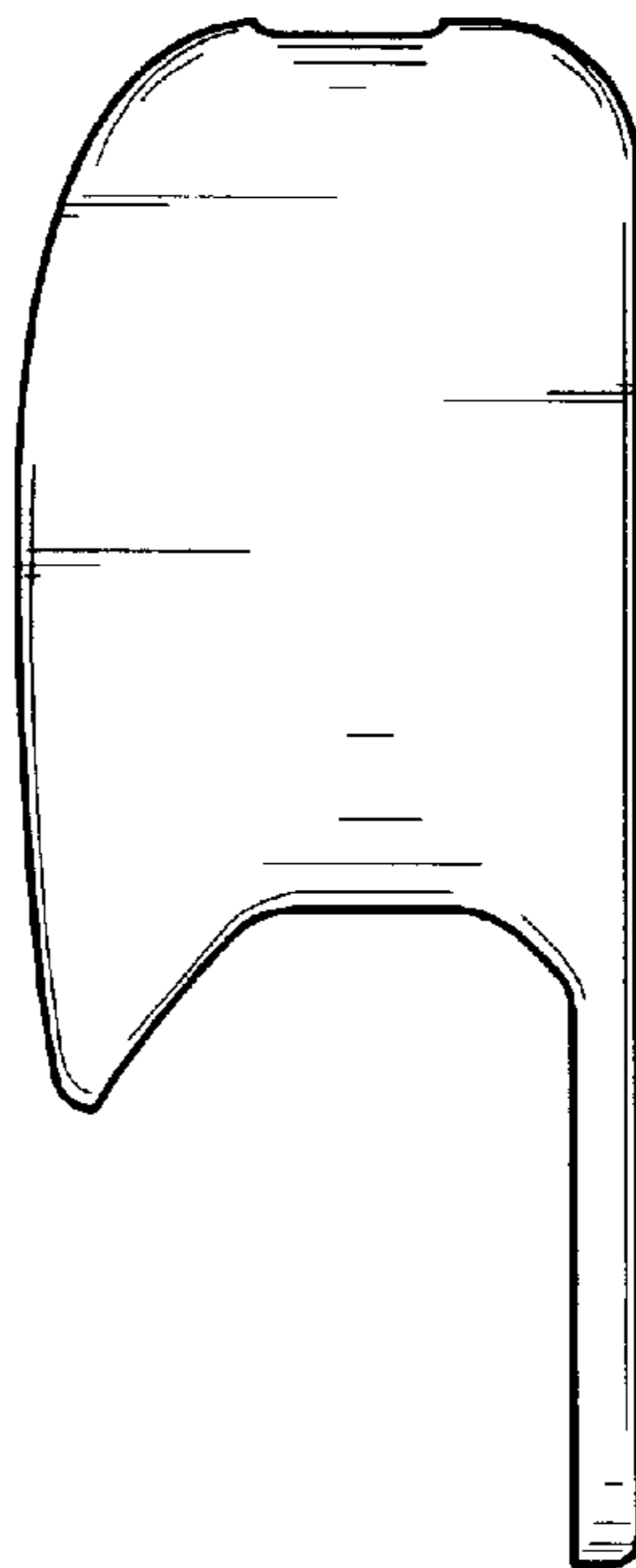


Fig. 5

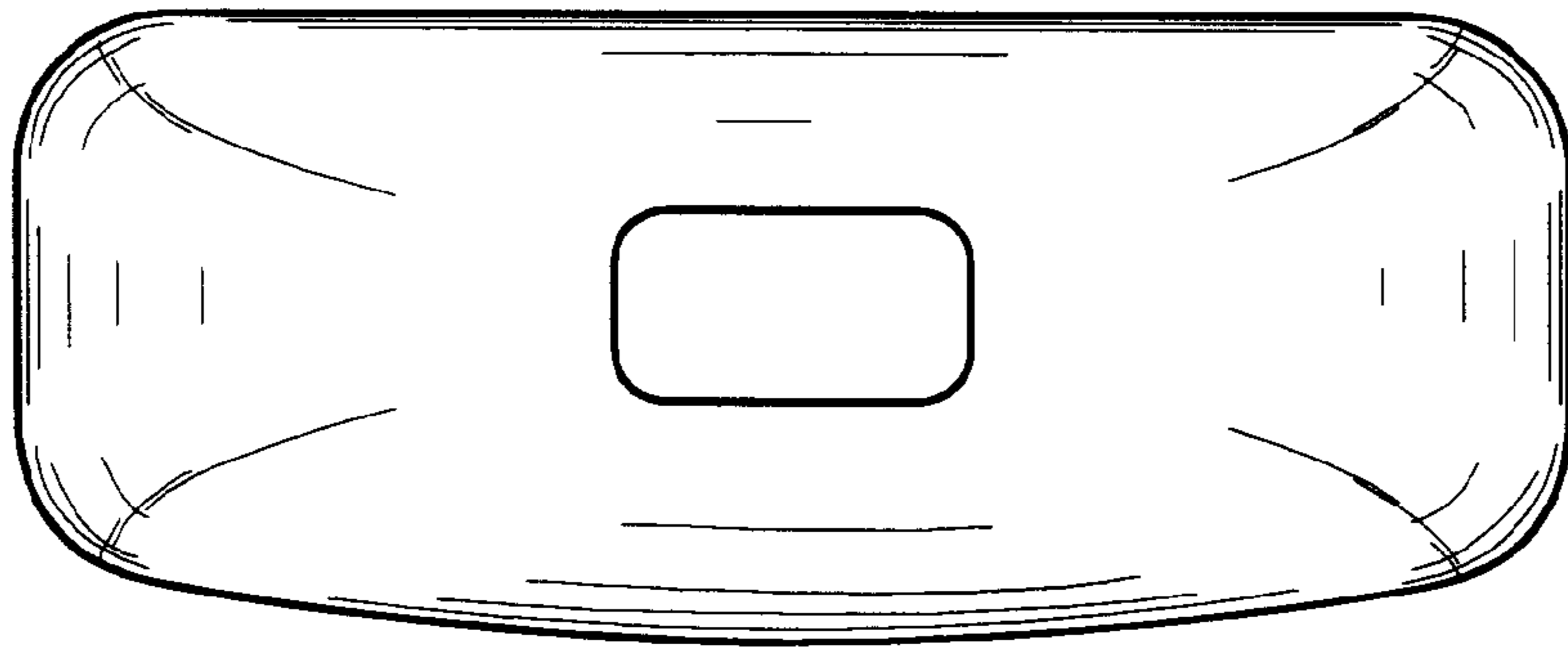


Fig. 6

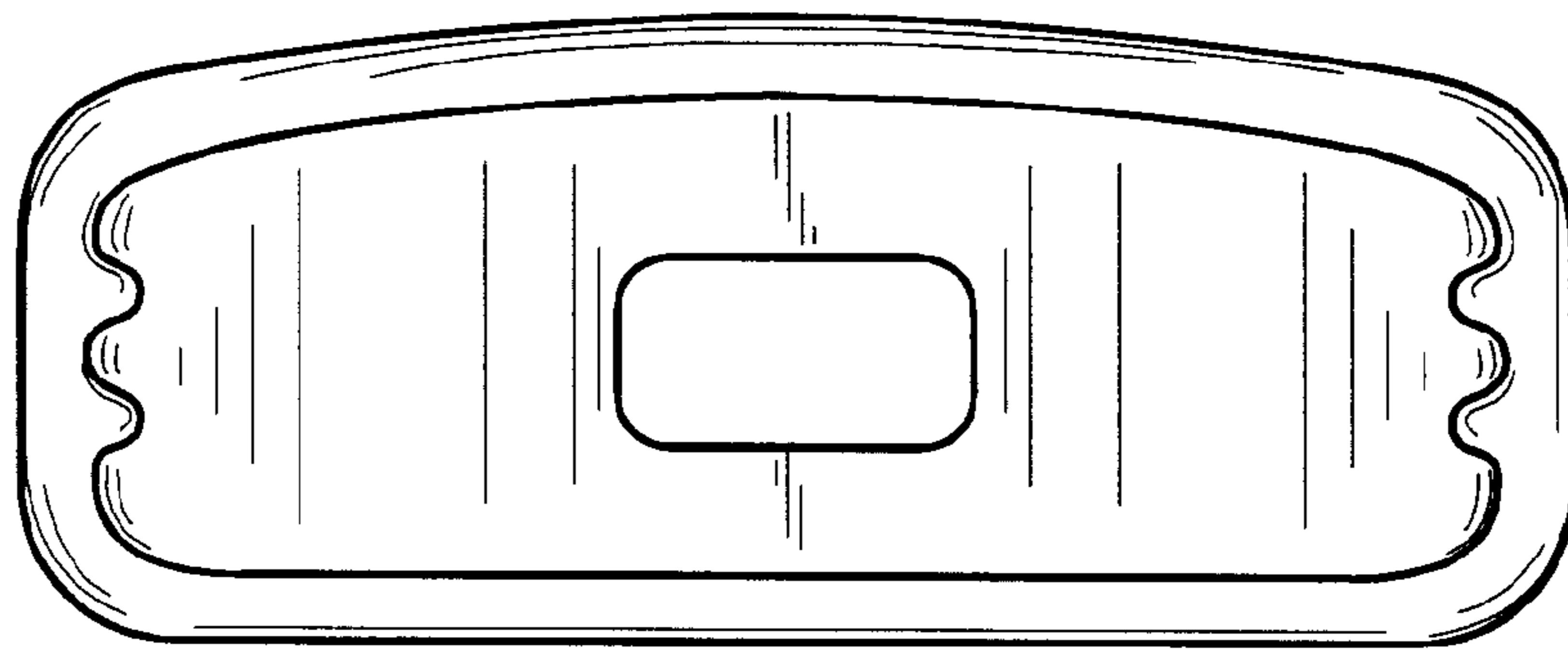


Fig. 7

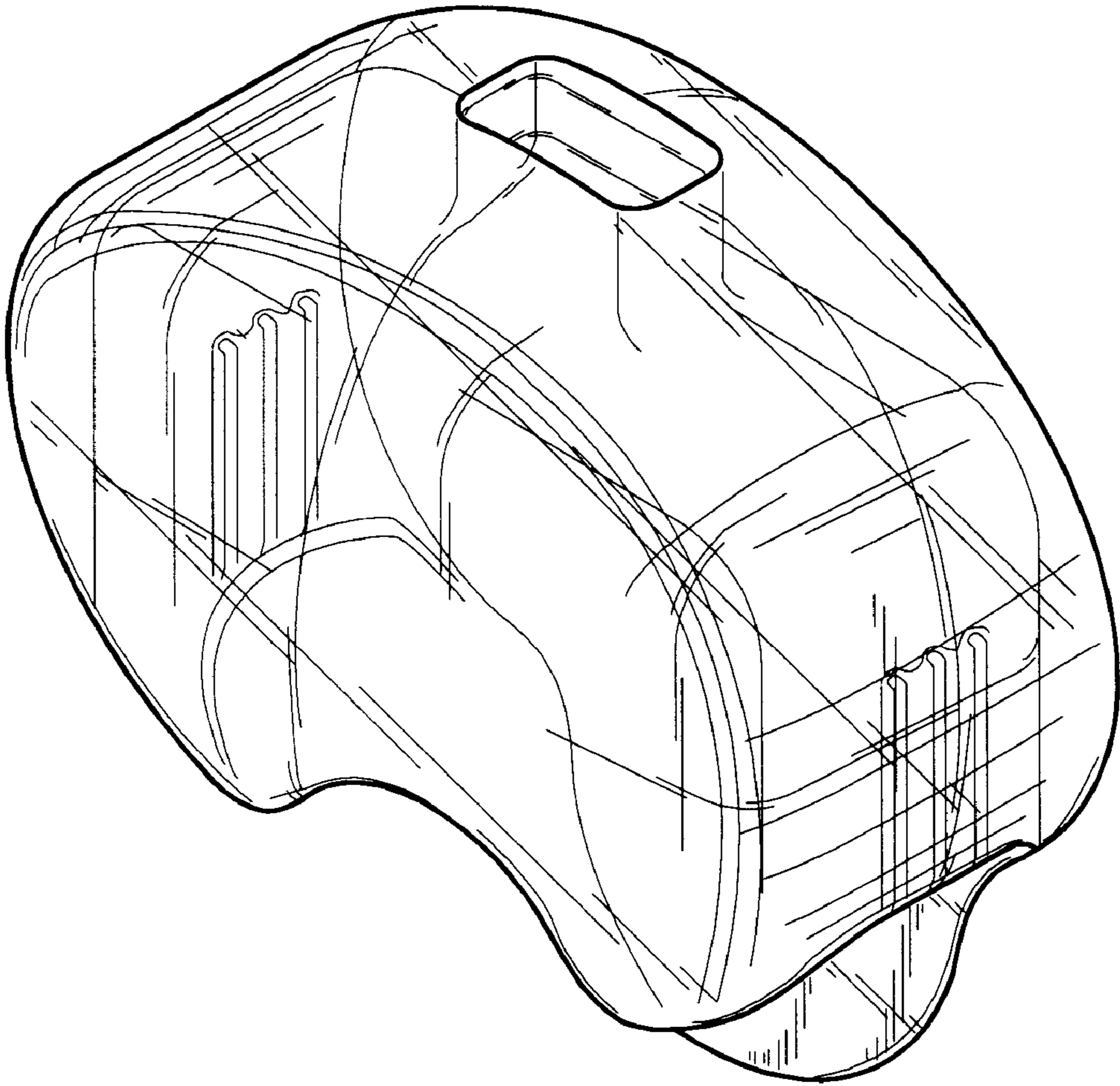


Fig. 8

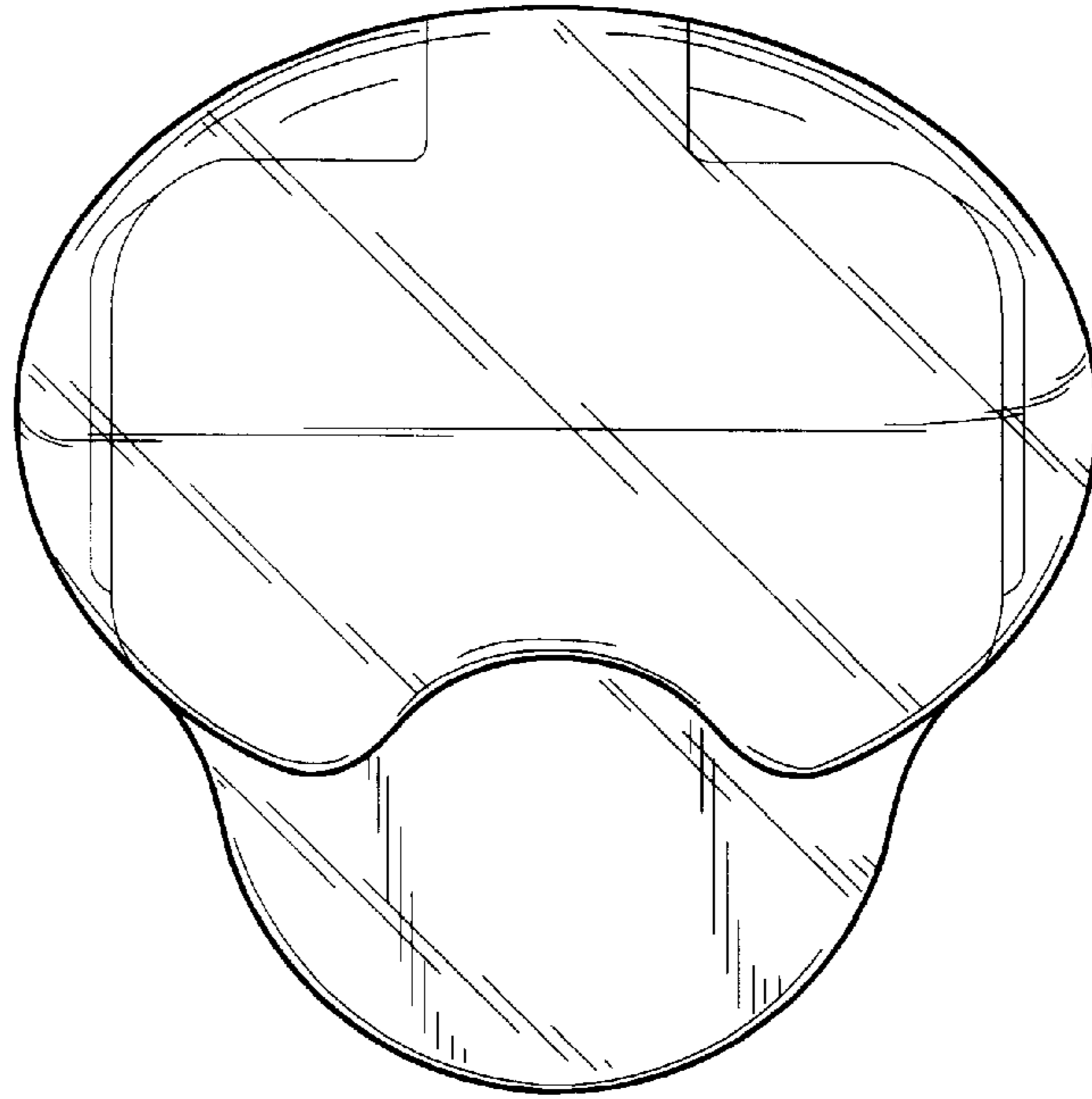


Fig. 9

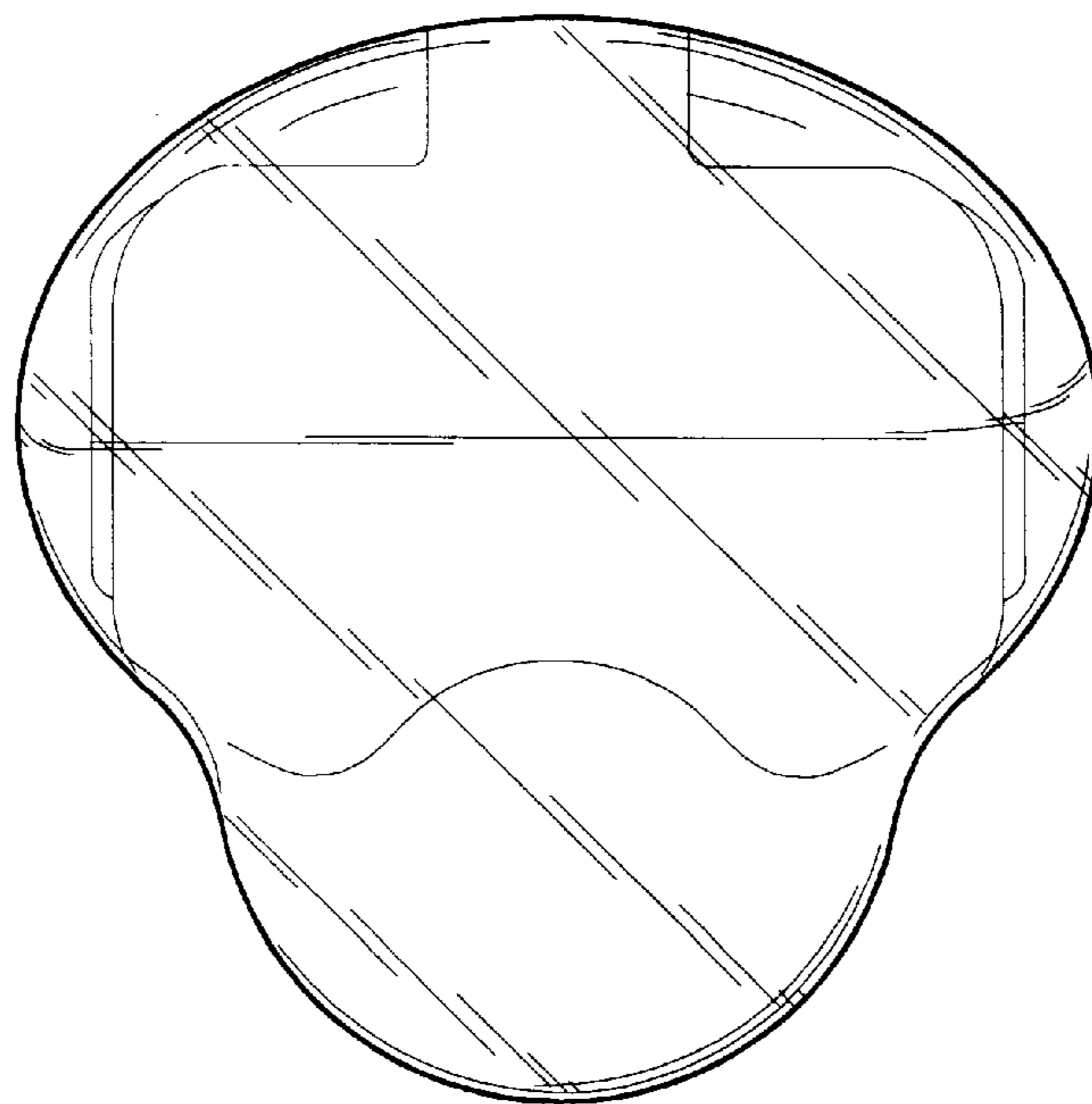


Fig. 10

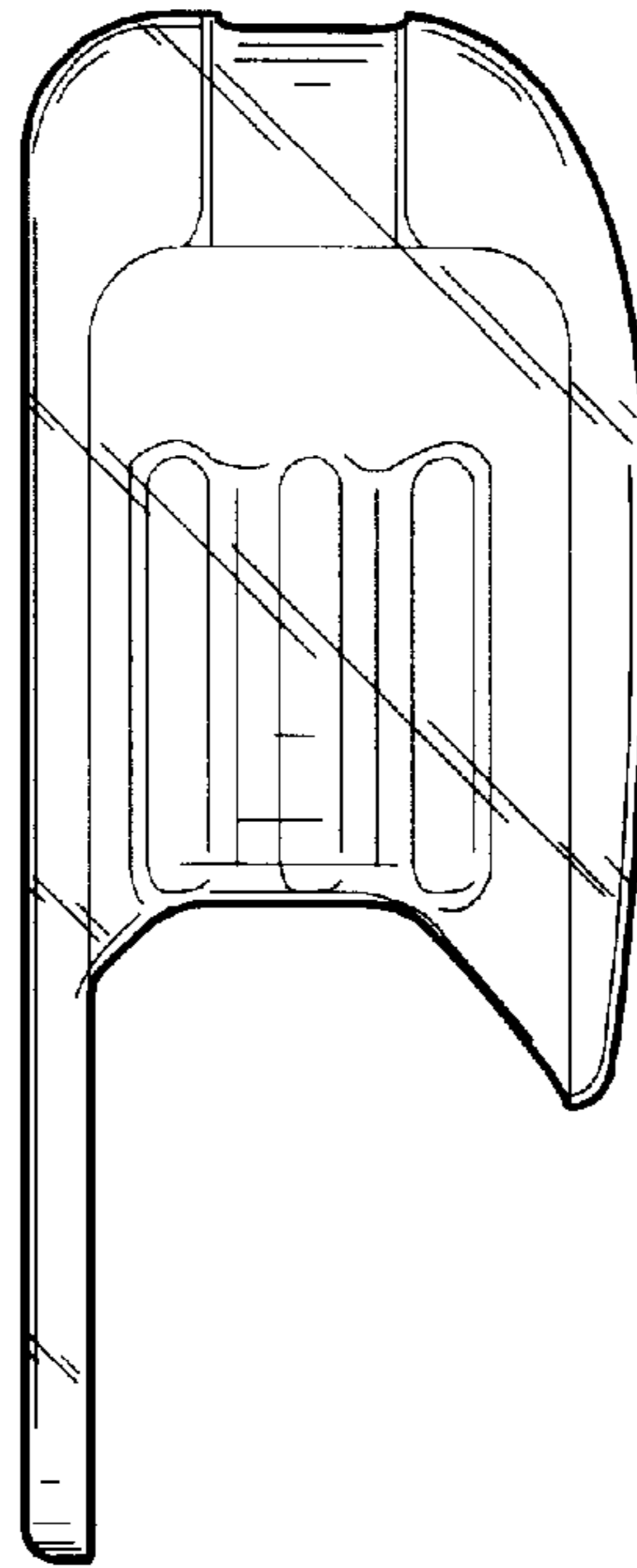


Fig. 11

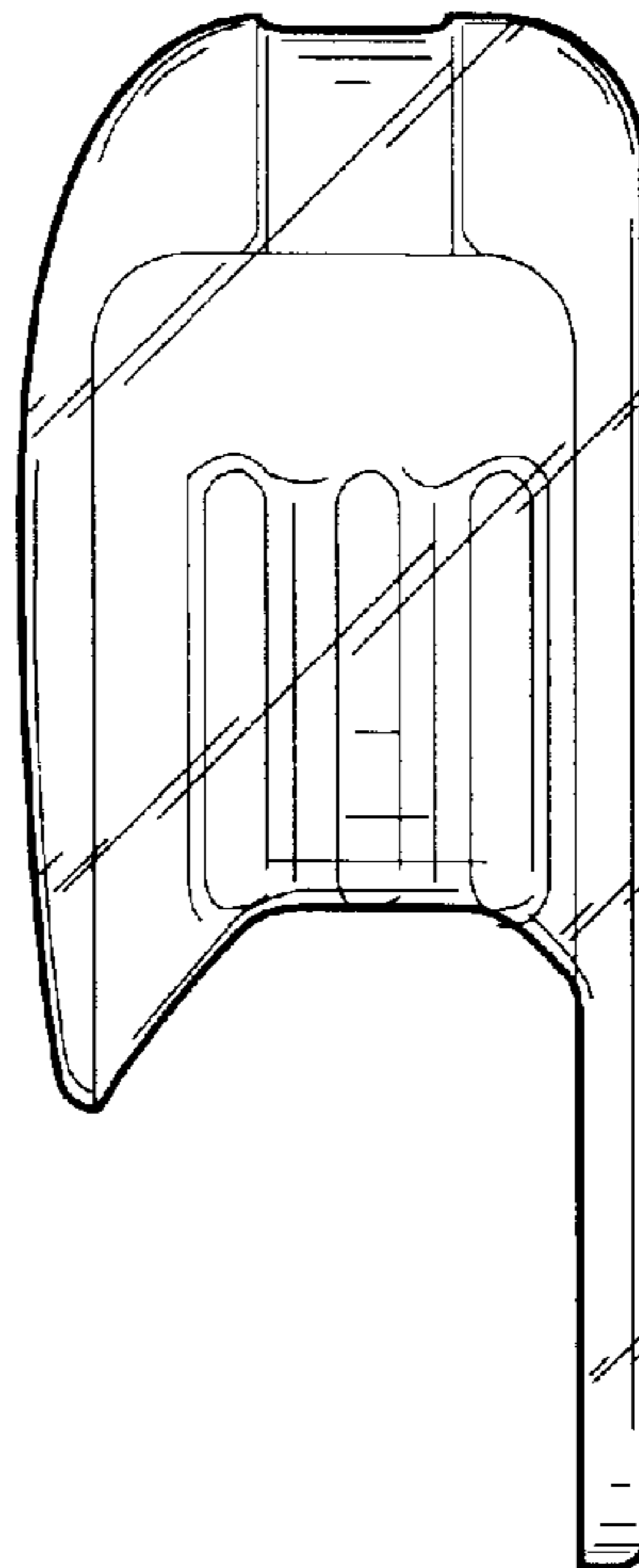


Fig. 12

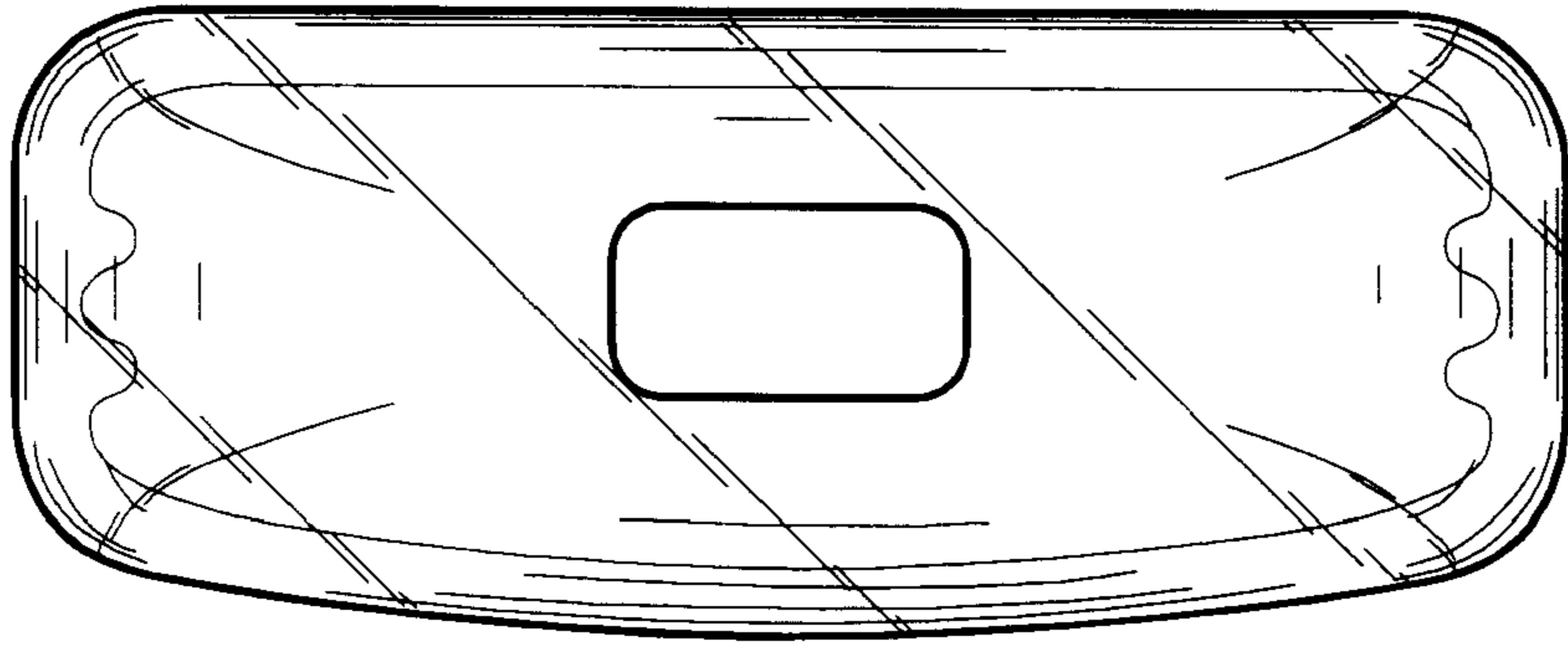


Fig. 13

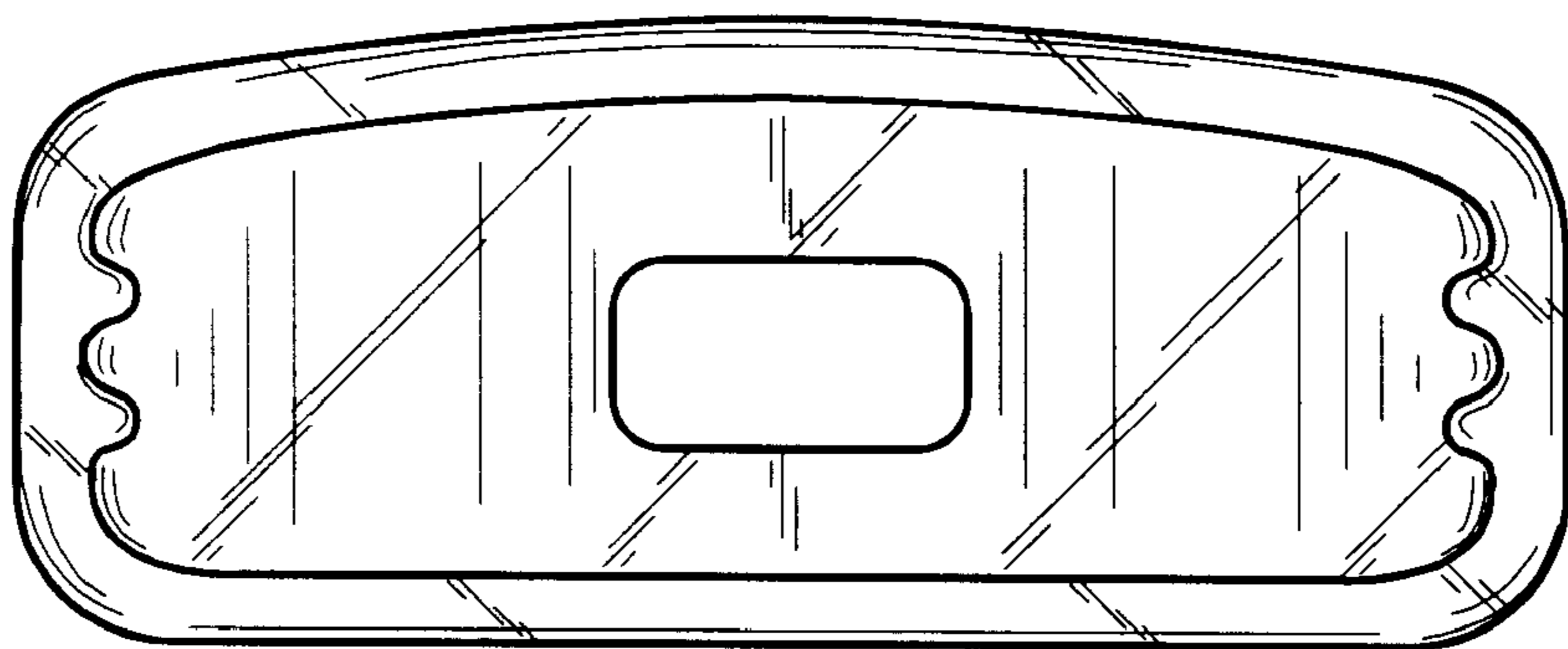


Fig. 14