



US00D464639S

(12) **United States Design Patent**
White

(10) **Patent No.:** **US D464,639 S**

(45) **Date of Patent:** **** Oct. 22, 2002**

(54) **SPEAKER**

5,950,257 A * 9/1999 Smith et al. D21/552
D428,874 S * 8/2000 White D14/207

(76) Inventor: **Ben E. White**, 429 Hudson St.,
Salisbury, NC (US) 28144

* cited by examiner

(**) Term: **14 Years**

Primary Examiner—Nanda Bondade
(74) *Attorney, Agent, or Firm*—Adams, Schwartz & Evans,
P.A.

(21) Appl. No.: **29/146,245**

(22) Filed: **Aug. 7, 2001**

(57) **CLAIM**

(51) **LOC (7) Cl.** **14-01**

I claim the ornamental design for a speaker, as shown.

(52) **U.S. Cl.** **D14/207; D21/552**

DESCRIPTION

(58) **Field of Search** D14/204, 207–216;
D21/533, 552, 560, 424, 433; 181/144–145,
147–148, 150, 152–153, 157, 198–199;
381/300–302, 307, 359, 361–364, 386

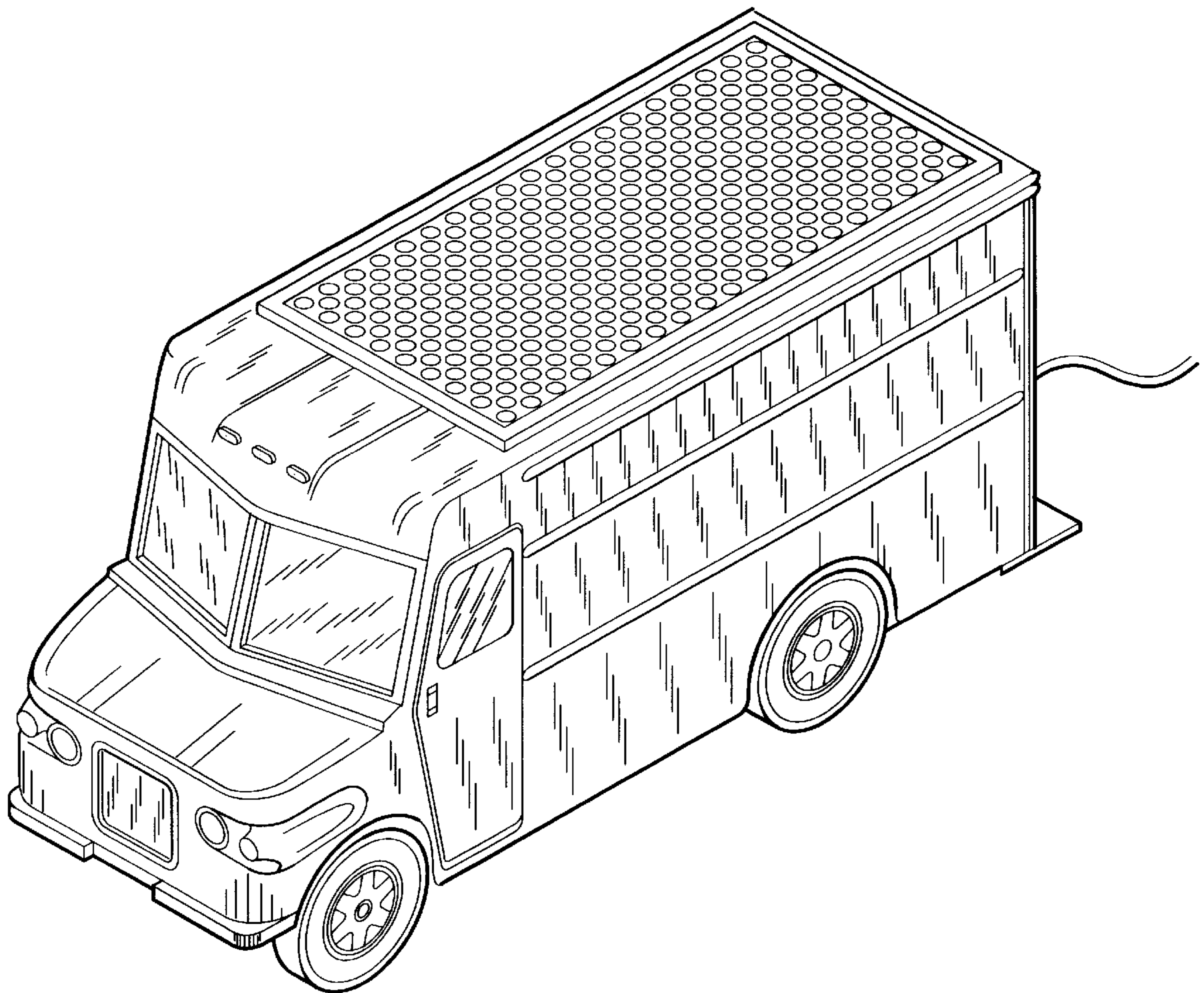
FIG. 1 is a perspective view of the speaker;
FIG. 2 is a right side view thereof;
FIG. 3 is a left side view thereof;
FIG. 4 is a back view thereof;
FIG. 5 is a front view thereof;
FIG. 6 is a top view thereof; and,
FIG. 7 is a bottom view thereof.

(56) **References Cited**

U.S. PATENT DOCUMENTS

D225,550 S * 12/1972 Brentwood D21/552
D314,594 S * 2/1991 Trossman D21/552
D410,506 S * 6/1999 Lam D21/552

1 Claim, 7 Drawing Sheets



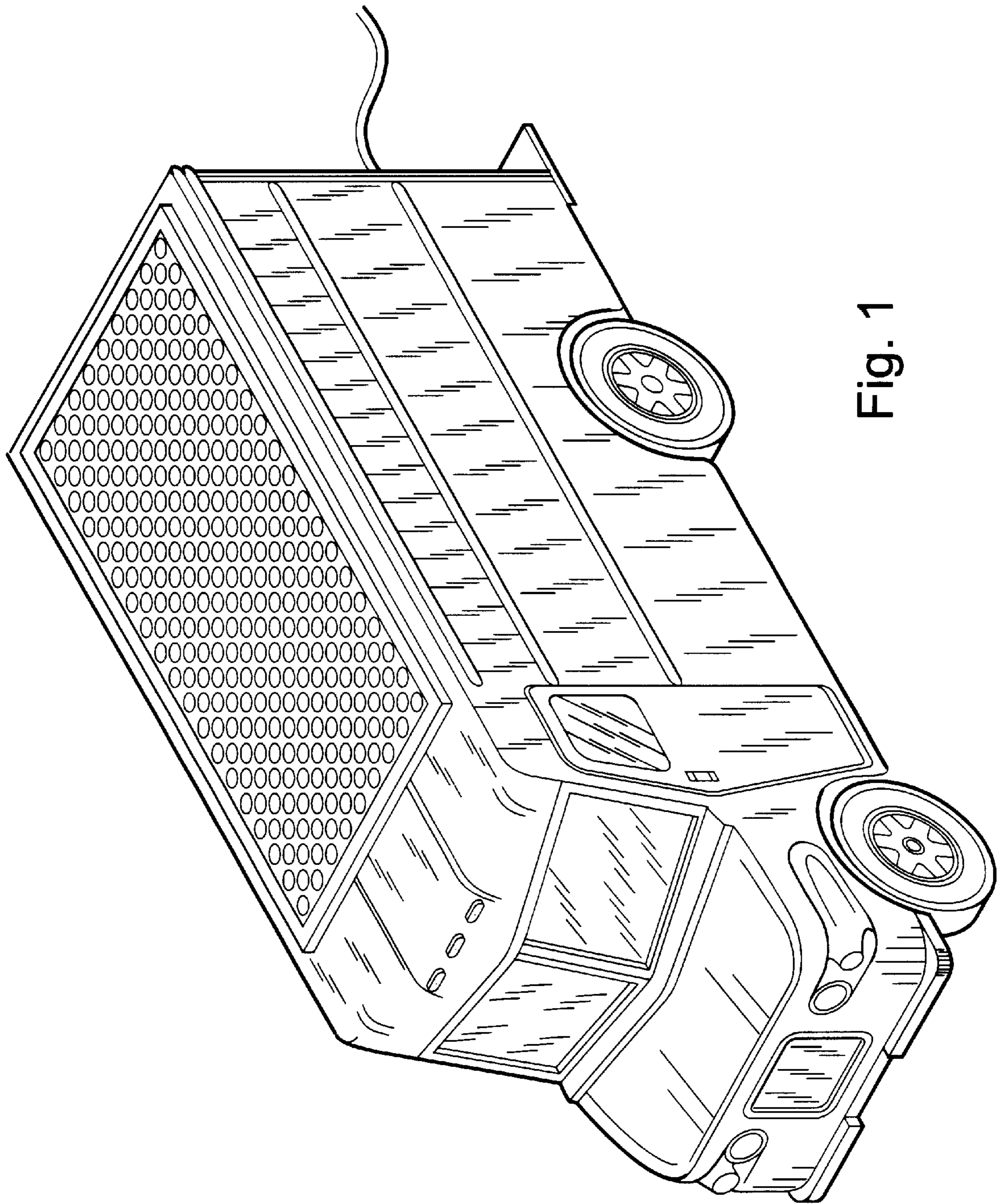


Fig. 1

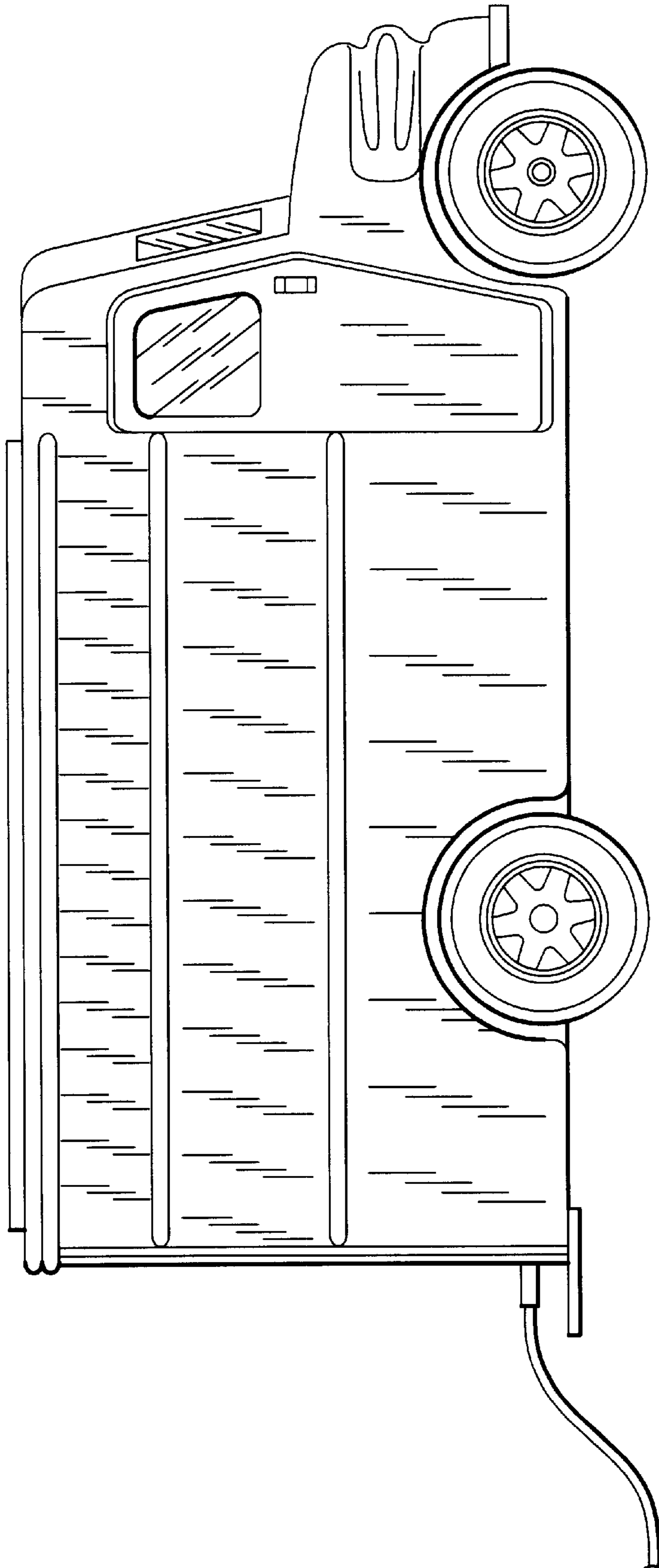


Fig. 2

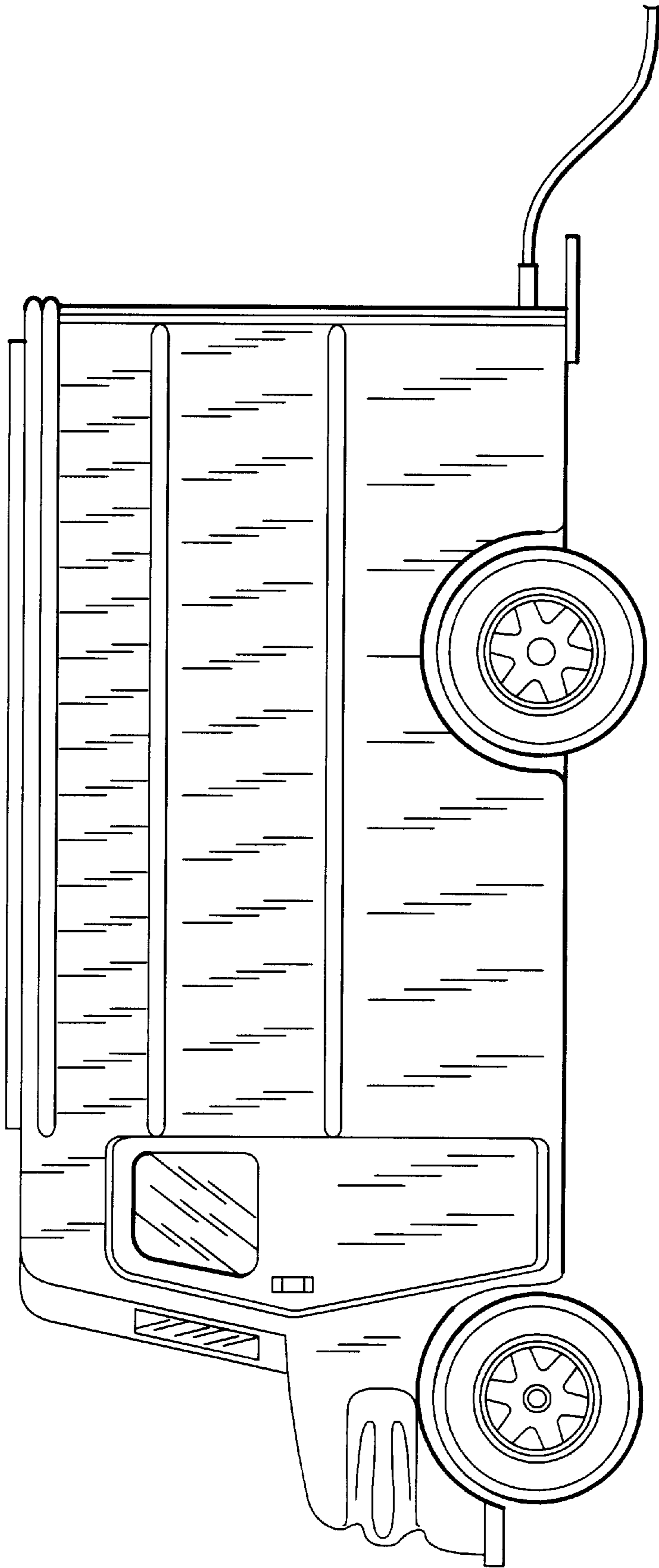


Fig. 3

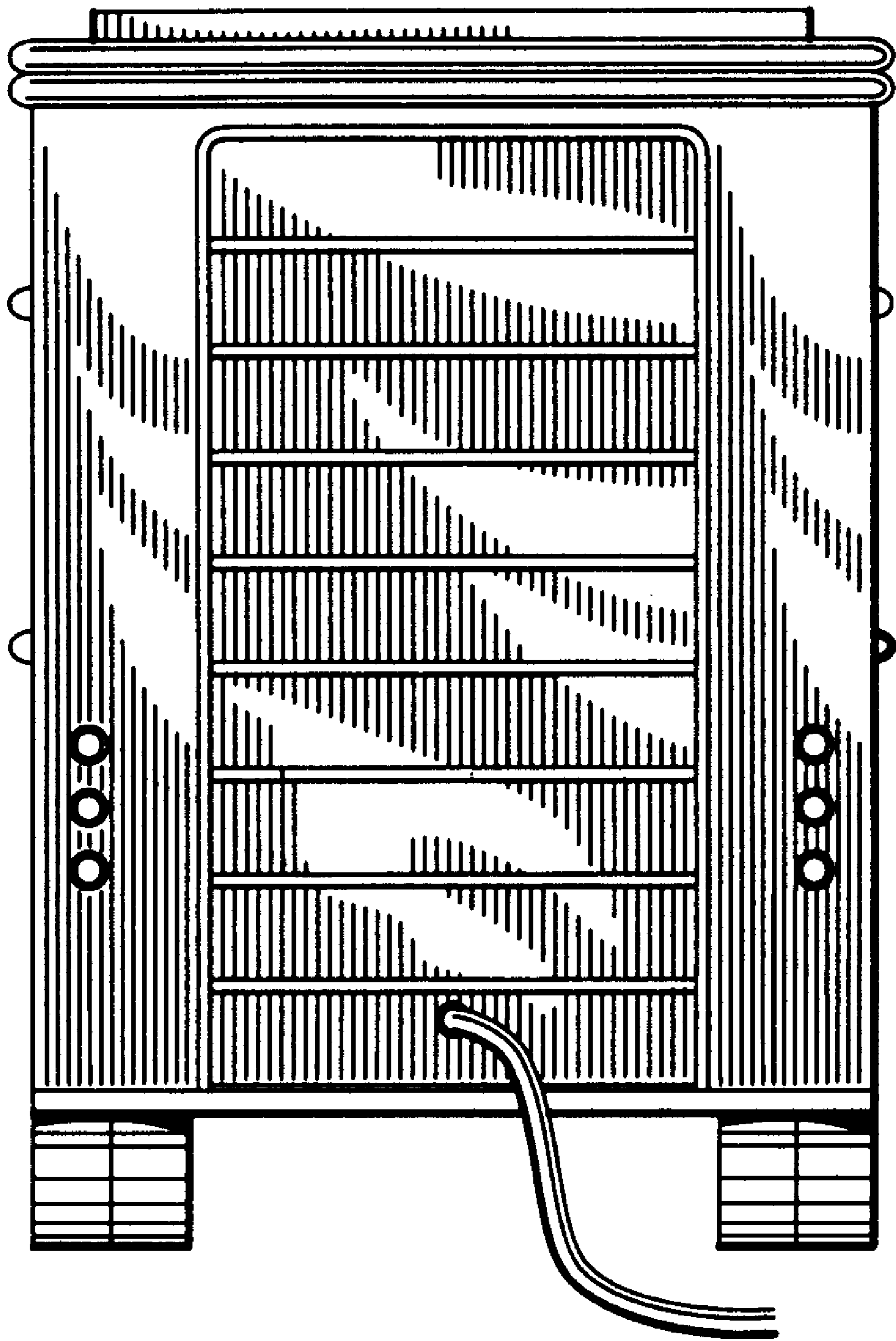


Fig. 4

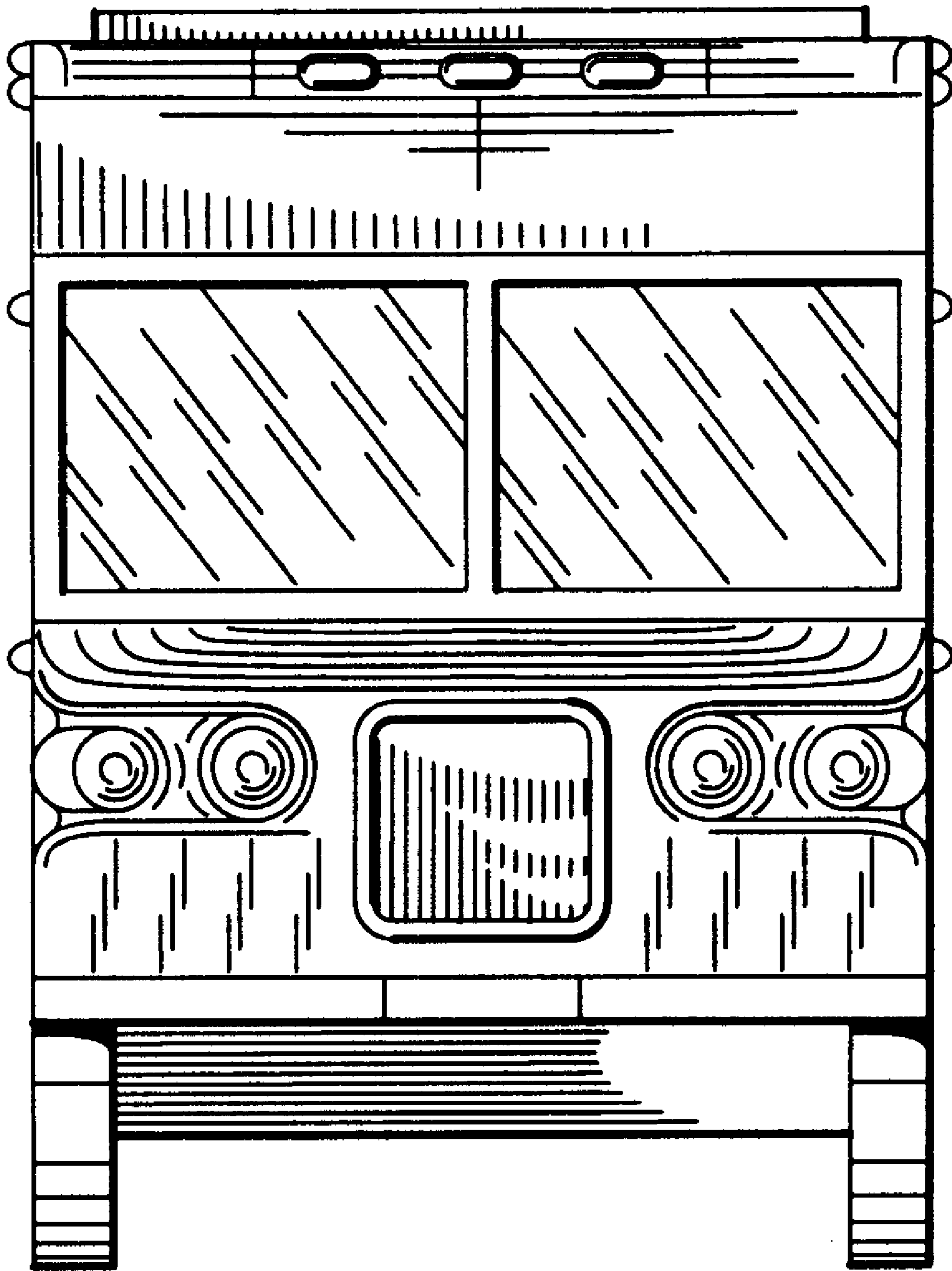


Fig. 5

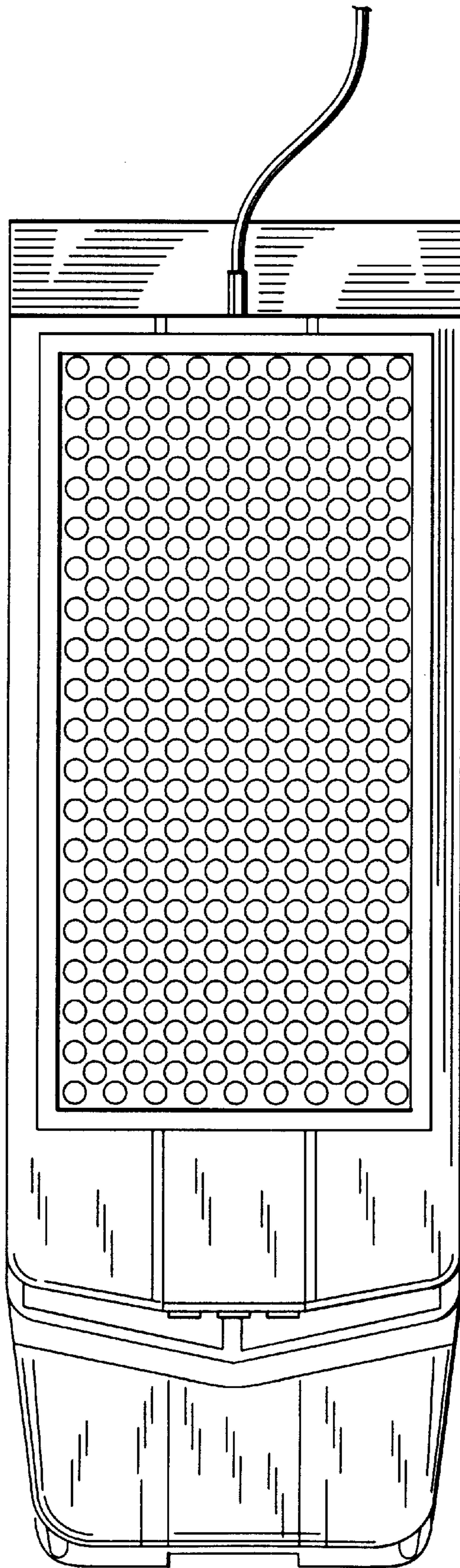


Fig. 6

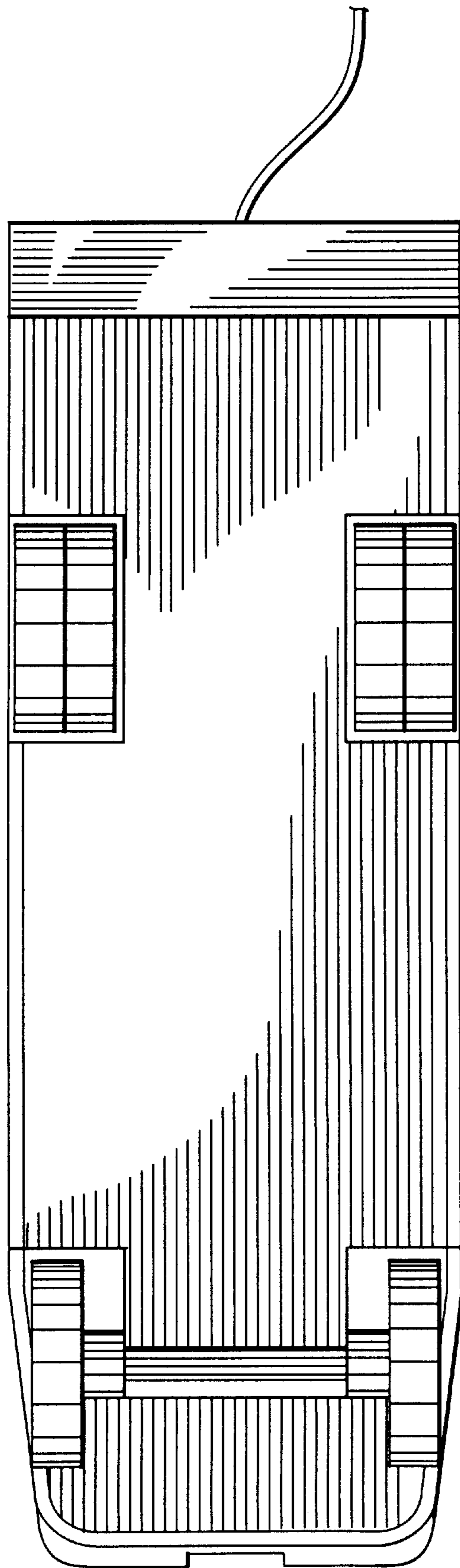


Fig. 7