



US00D464637S

(12) **United States Design Patent**
Ng

(10) **Patent No.:** **US D464,637 S**

(45) **Date of Patent:** **** Oct. 22, 2002**

(54) **COMPACT DISC PLAYER WITH TUNER
AND LOUDSPEAKER BOXES**

D358,593 S * 5/1995 Oba D14/168
D378,590 S * 3/1997 Zeitman D14/165
D410,649 S * 6/1999 Kobayashi D14/168
D451,487 S * 12/2001 Ng D14/168

(75) Inventor: **Zachary Ng**, Hong Kong (CN)

* cited by examiner

(73) Assignee: **Koninklijke Philips Electronics N.V.**,
Eindhoven (NL)

Primary Examiner—Nanda Bondade

(**) Term: **14 Years**

(74) *Attorney, Agent, or Firm*—Ernestine C. Bartlett

(21) Appl. No.: **29/151,686**

(57) **CLAIM**

(22) Filed: **Dec. 4, 2001**

The ornamental design for a compact disc player with tuner and loudspeaker boxes, as shown.

(51) **LOC (7) Cl.** **14-01**

DESCRIPTION

(52) **U.S. Cl.** **D14/168**

FIG. 1 is a perspective view showing my design;
FIG. 2 is a front elevational view thereof;
FIG. 3 is a rear elevational view thereof;
FIG. 4 is a left side elevational view thereof;
FIG. 5 is a right side elevational view thereof;
FIG. 6 is a top plan view thereof; and,
FIG. 7 is a bottom plan view thereof.

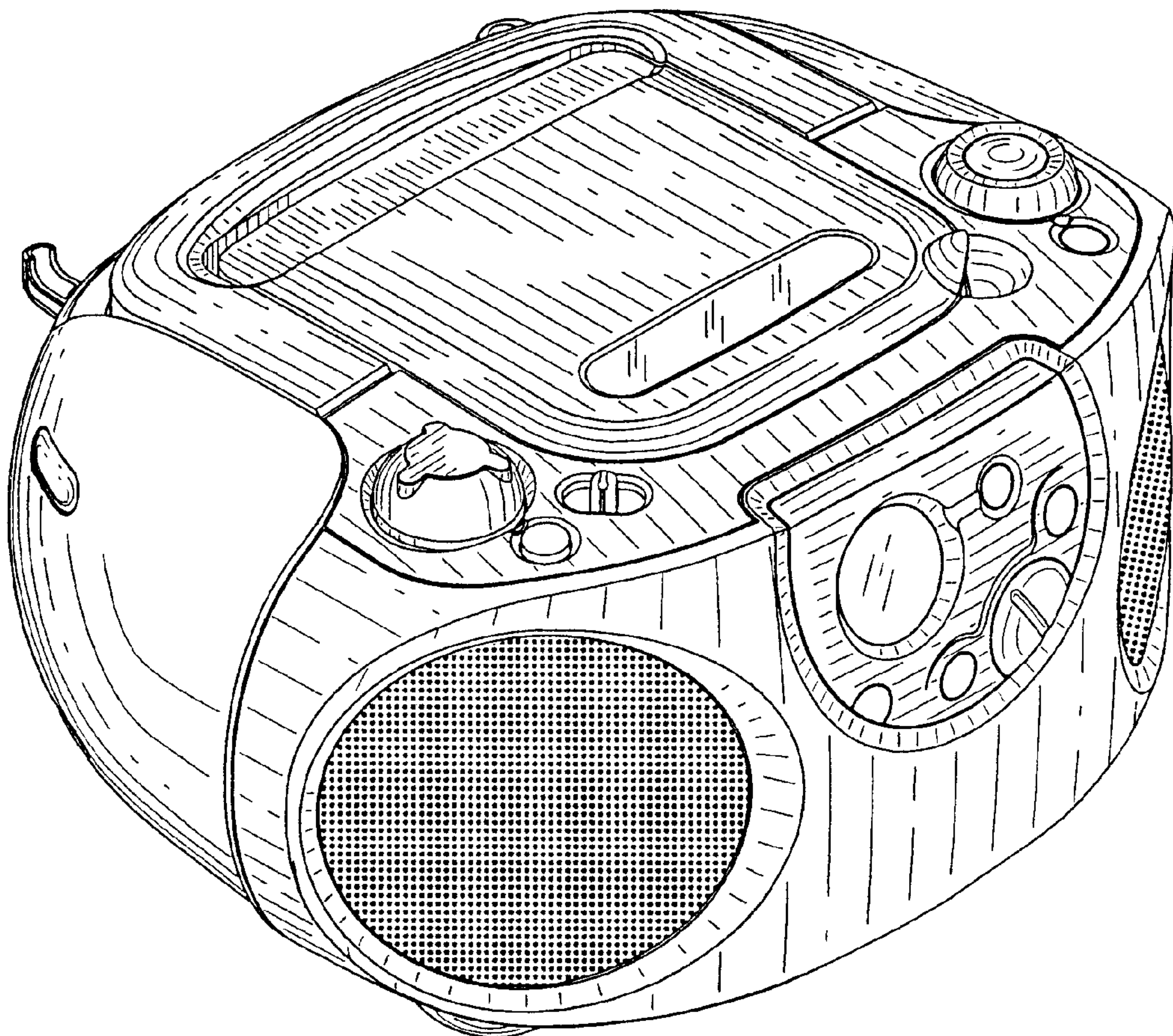
(58) **Field of Search** D14/135-136,
D14/156-157, 167-168, 188, 193-198,
215, 172; 369/75.1, 75.2, 77.1, 77.2; 455/344,
347, 350-351

(56) **References Cited**

U.S. PATENT DOCUMENTS

5,146,618 A * 9/1992 Wenner 455/350

1 Claim, 4 Drawing Sheets



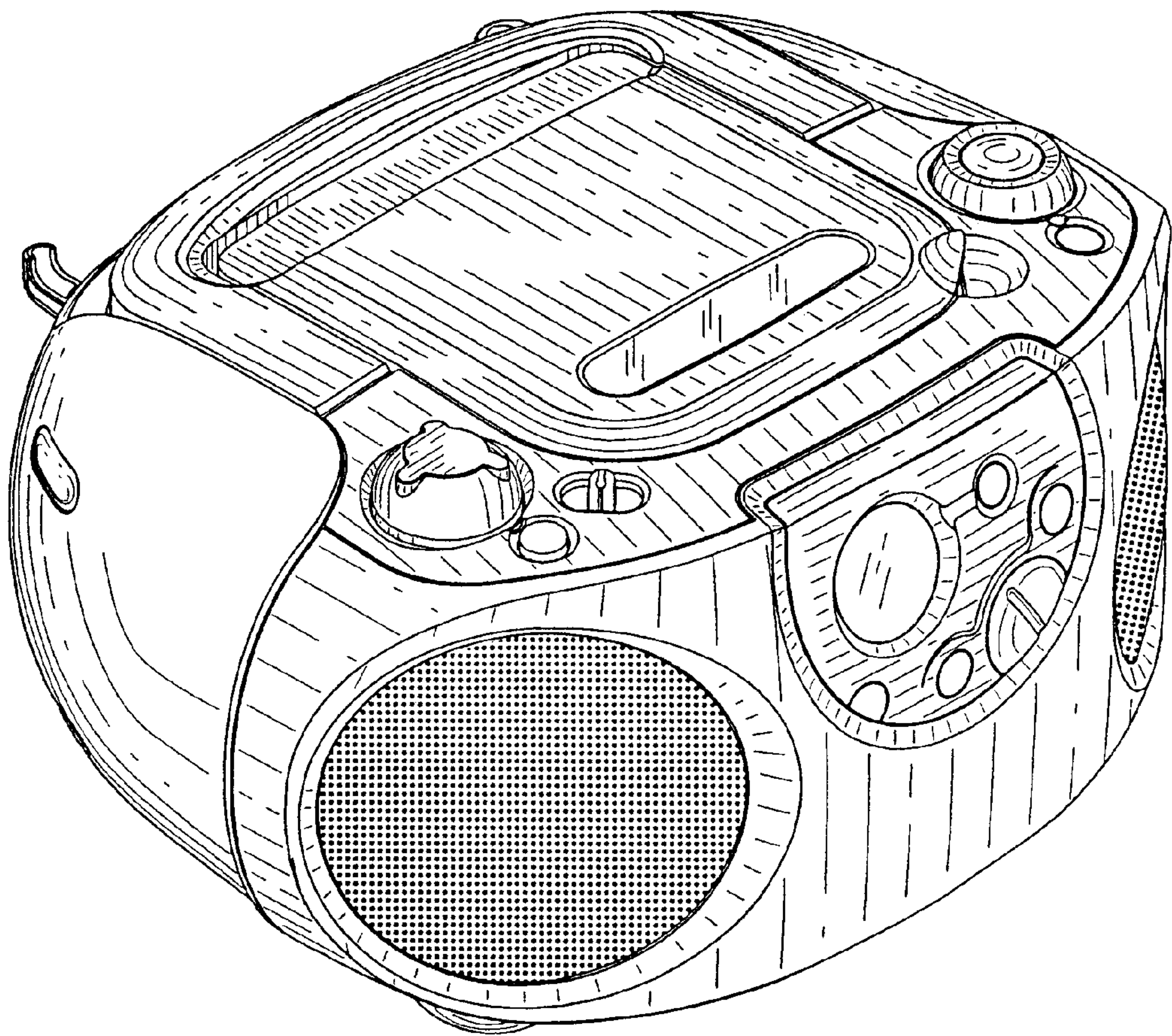


FIG. 1

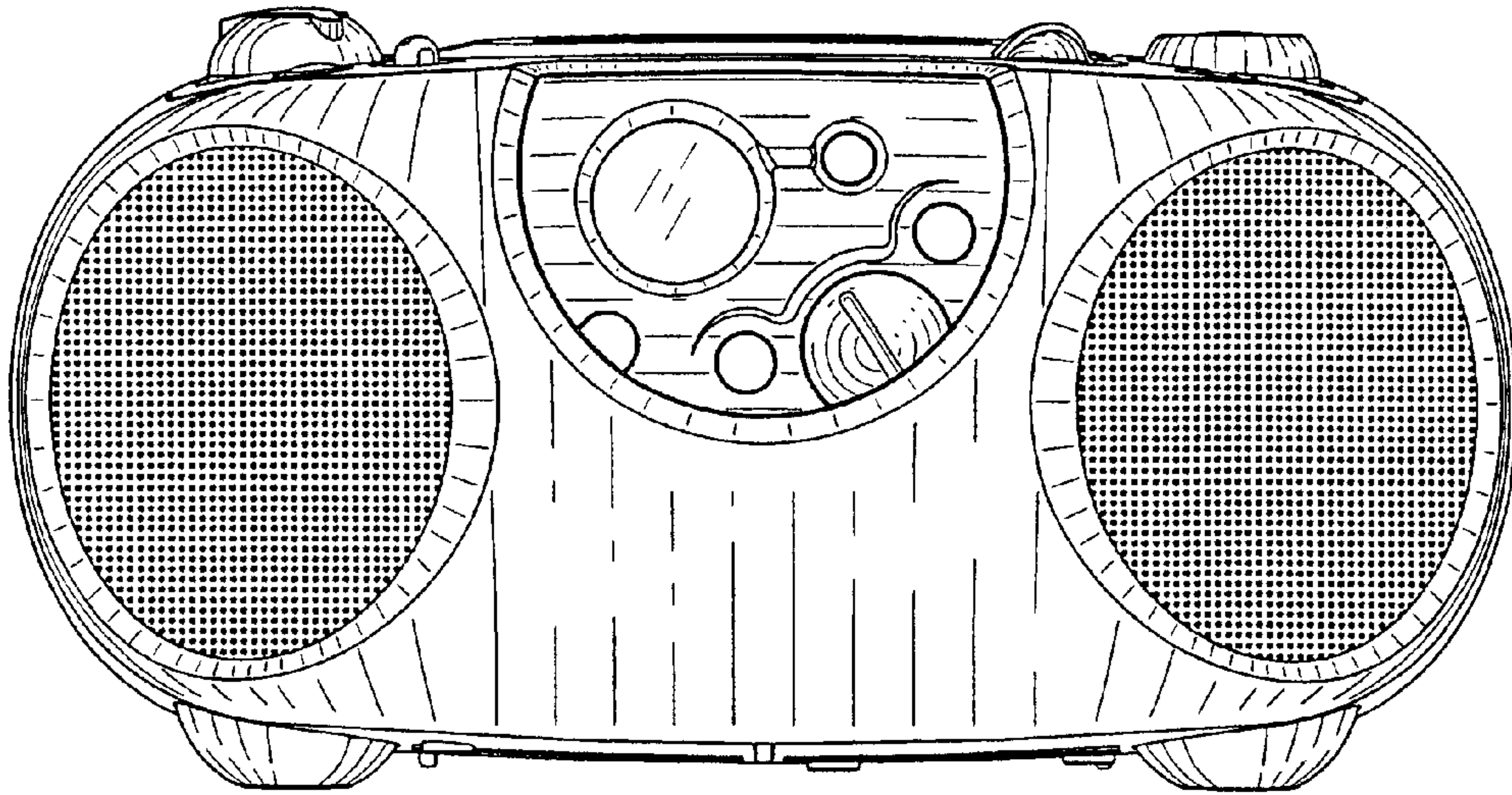


FIG. 2

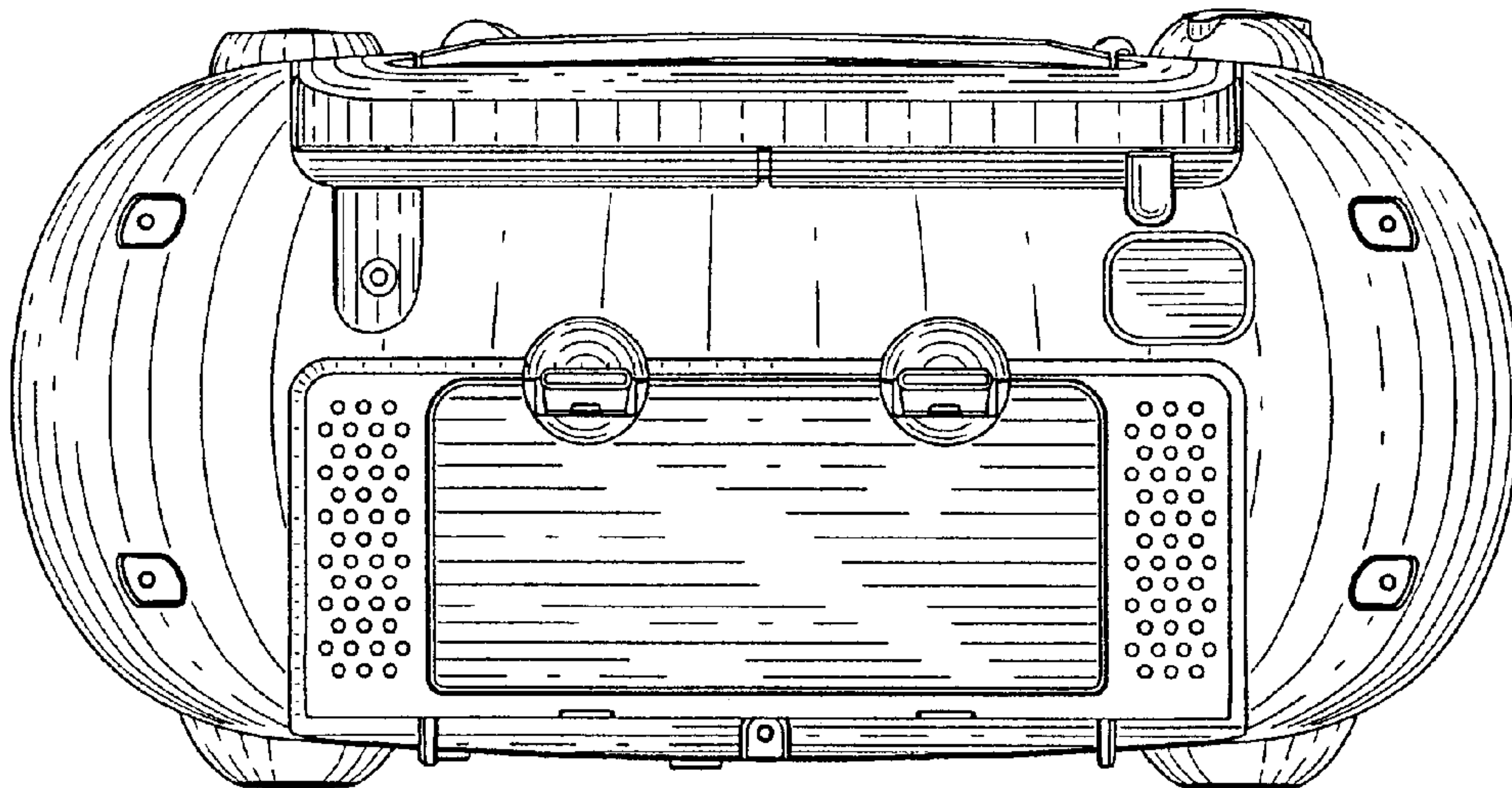


FIG. 3

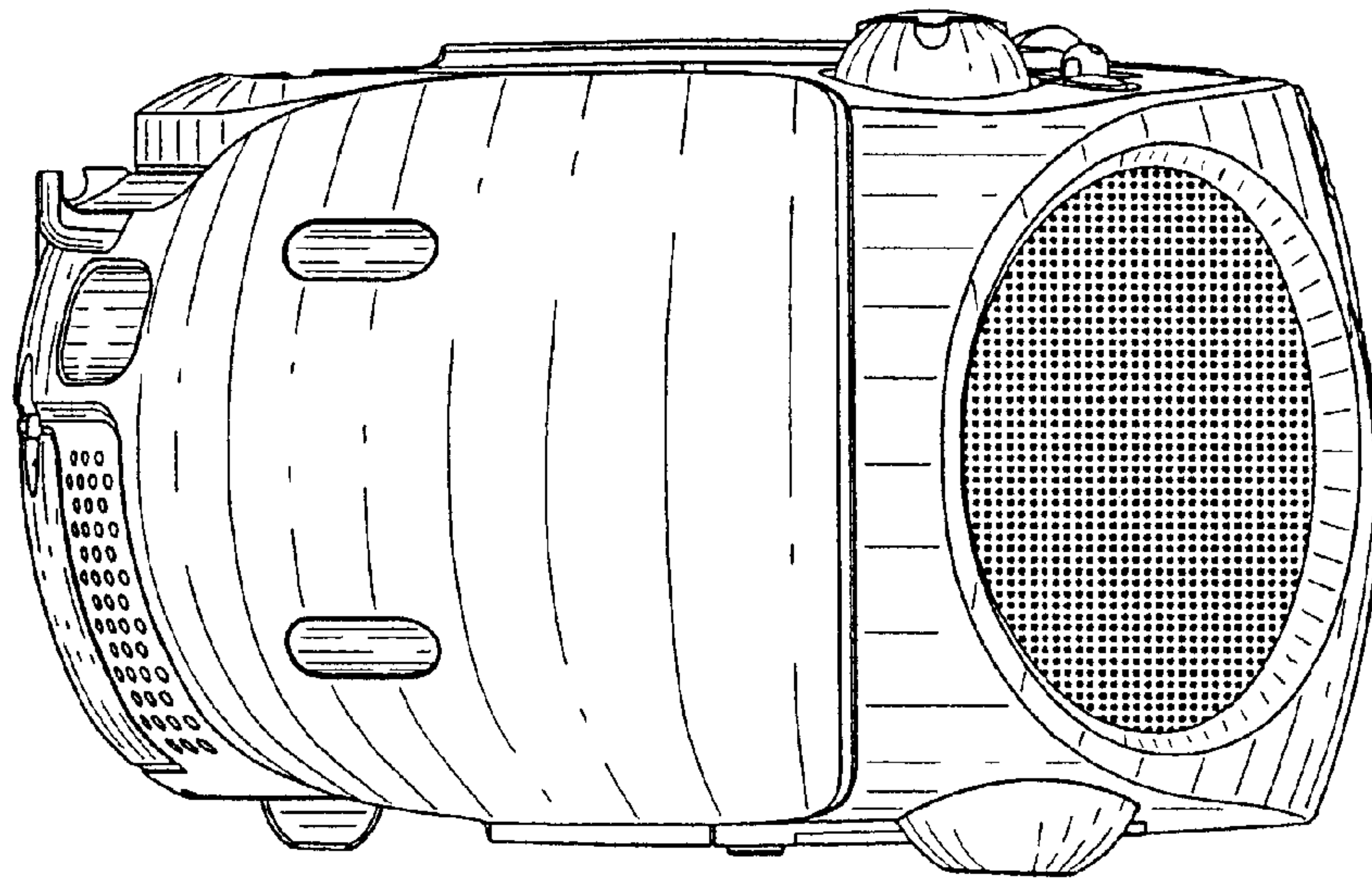


FIG. 4

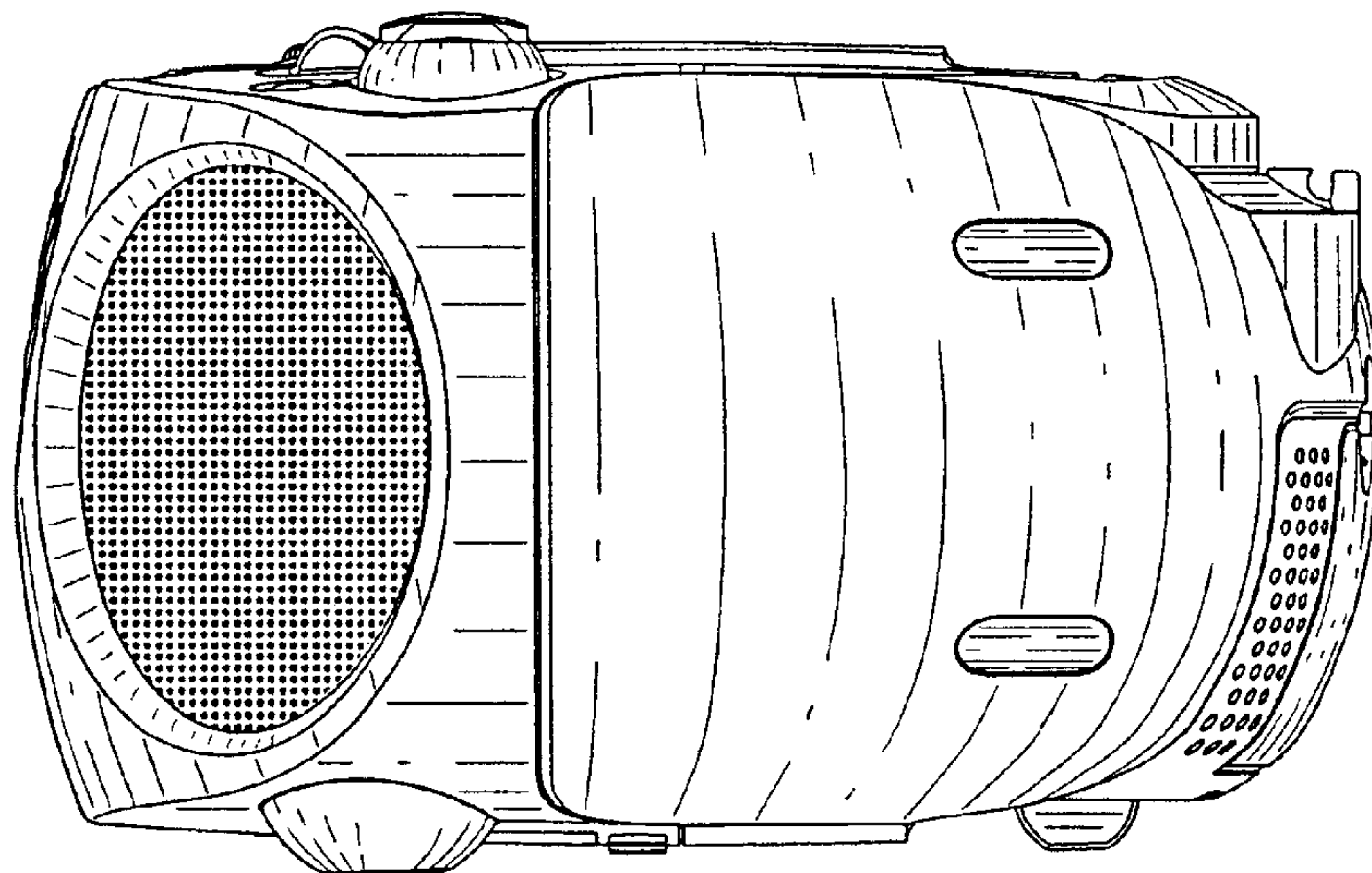


FIG. 5

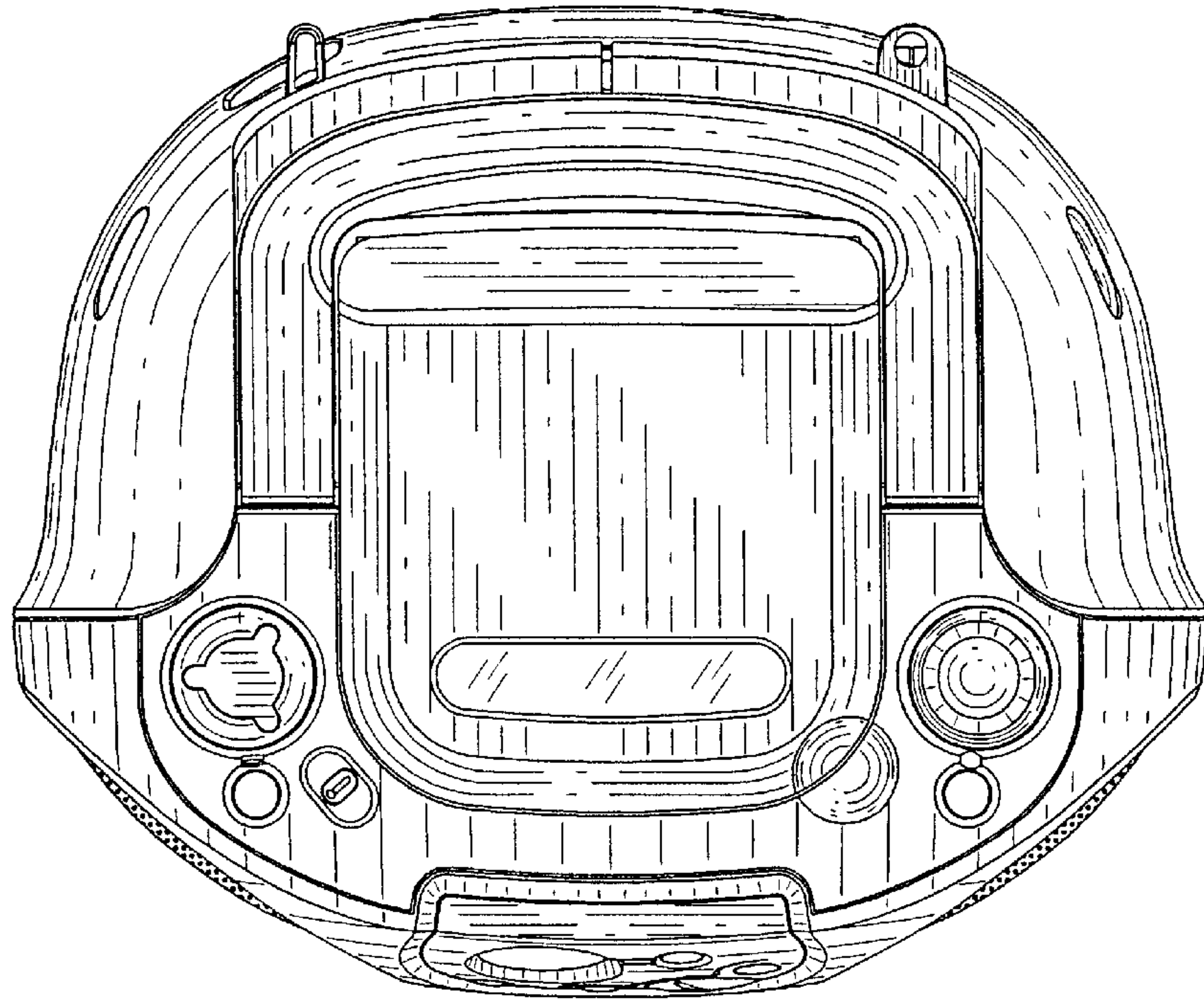


FIG. 6

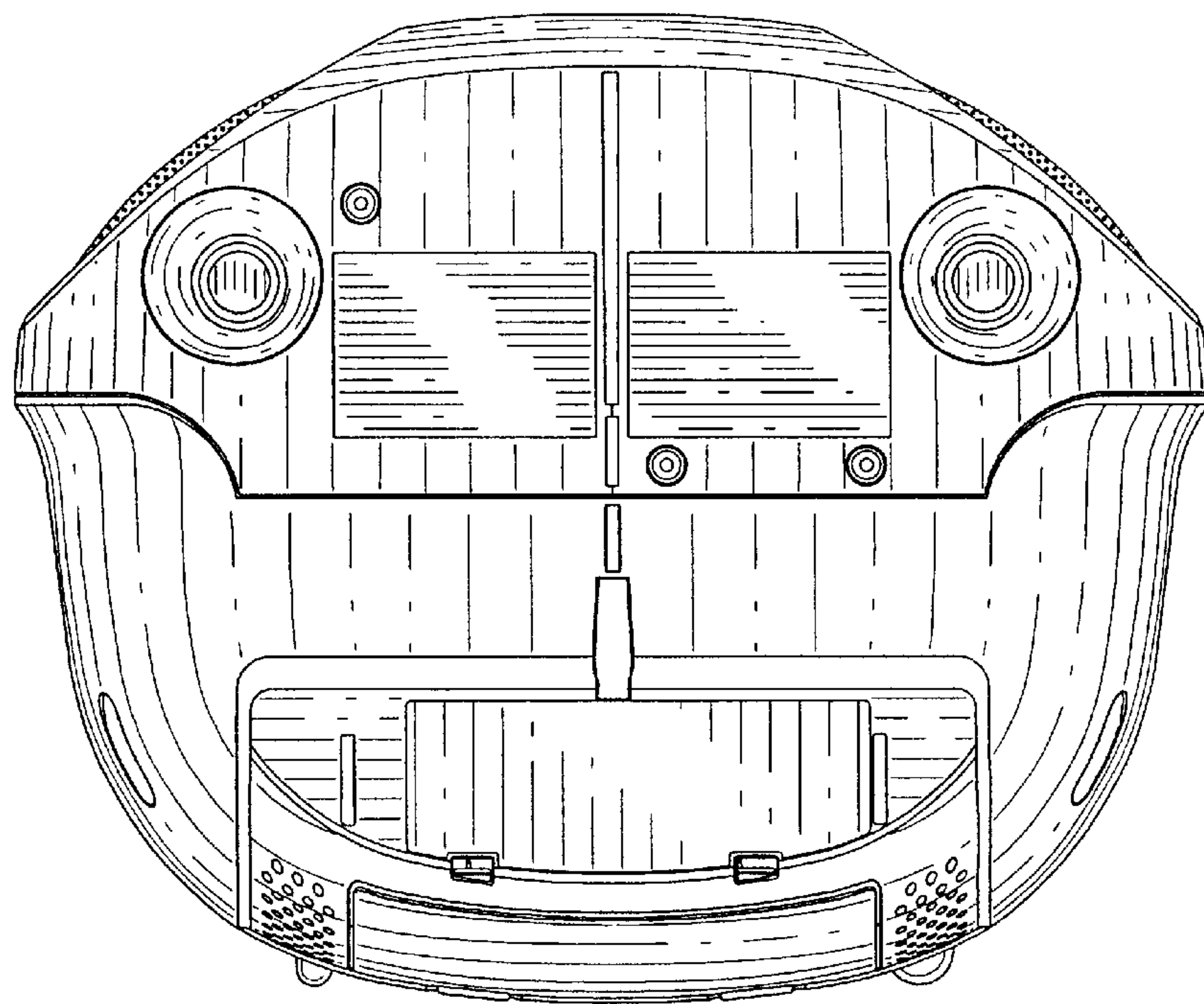


FIG. 7