



US00D464635S

(12) **United States Design Patent**
Oyama, Jr. et al.

(10) **Patent No.:** **US D464,635 S**

(45) **Date of Patent:** **** Oct. 22, 2002**

(54) **CORDLESS PHONE AND BASE**

(75) Inventors: **George C. Oyama, Jr.**, San Diego, CA (US); **John D. Swansey**, Durham, NC (US); **Alan D. Adamson**, San Diego, CA (US); **Robert M. Davidson**, Santee, CA (US); **Eng Hoe Soon**, San Diego, CA (US); **Kathren L. Gilmette**, San Diego, CA (US); **John D. Turner**, San Diego, CA (US)

(73) Assignee: **TT Systems LLC**, Yonkers, NY (US)

(**) Term: **14 Years**

(21) Appl. No.: **29/135,859**

(22) Filed: **Jan. 19, 2001**

(51) **LOC (7) Cl.** **14-03**

(52) **U.S. Cl.** **D14/147; D14/138; D14/253**

(58) **Field of Search** **D14/137, 138, D14/218, 147-148, 247-248, 144, 341-347, 143, 251, 253, 149, 150; 379/433.01-433.13, 419, 434, 435, 436, 428.01-428.04, 420.01-420.04, 440, 454, 455; 455/550-575, 90**

(56) **References Cited**

U.S. PATENT DOCUMENTS

| | | | | | | |
|-----------|---|---|---------|---------------|-------|---------|
| D234,849 | S | * | 4/1975 | Tyson et al. | | D14/148 |
| D319,640 | S | * | 9/1991 | Goralski | | D14/143 |
| 5,052,943 | A | * | 10/1991 | Davis | | 439/357 |
| D335,289 | S | * | 5/1993 | Roegner | | D14/138 |
| D335,494 | S | * | 5/1993 | Roegner | | D14/138 |
| D353,371 | S | * | 12/1994 | Delhaes | | D14/149 |
| D355,912 | S | * | 2/1995 | Wicks et al. | | D14/148 |
| D359,052 | S | * | 6/1995 | Nagele et al. | | D14/253 |
| D368,712 | S | * | 4/1996 | Wicks et al. | | D14/147 |
| D373,124 | S | * | 8/1996 | Behar et al. | | D14/148 |
| D398,924 | S | * | 9/1998 | Shindo | | D14/138 |
| D402,666 | S | * | 12/1998 | Golder | | D14/253 |
| D408,405 | S | * | 4/1999 | Chan | | D14/147 |

| | | | | | | |
|----------|---|---|--------|---------------------|-------|---------|
| D408,816 | S | * | 4/1999 | Richez | | D14/148 |
| D410,647 | S | * | 6/1999 | Lytel | | D14/147 |
| D412,169 | S | * | 7/1999 | Schnell, III et al. | | D14/138 |
| D414,490 | S | * | 9/1999 | Heinen et al. | | D14/148 |
| D439,233 | S | * | 3/2001 | Isonaga | | D14/147 |
| D440,546 | S | * | 4/2001 | Isonaga | | D14/147 |
| D440,953 | S | * | 4/2001 | Omran et al. | | D14/138 |
| D442,157 | S | * | 5/2001 | Muenschler et al. | | D14/138 |

* cited by examiner

Primary Examiner—Jeffrey Asch

(74) *Attorney, Agent, or Firm*—Brown, Martin, Haller & McClain LLP

(57) **CLAIM**

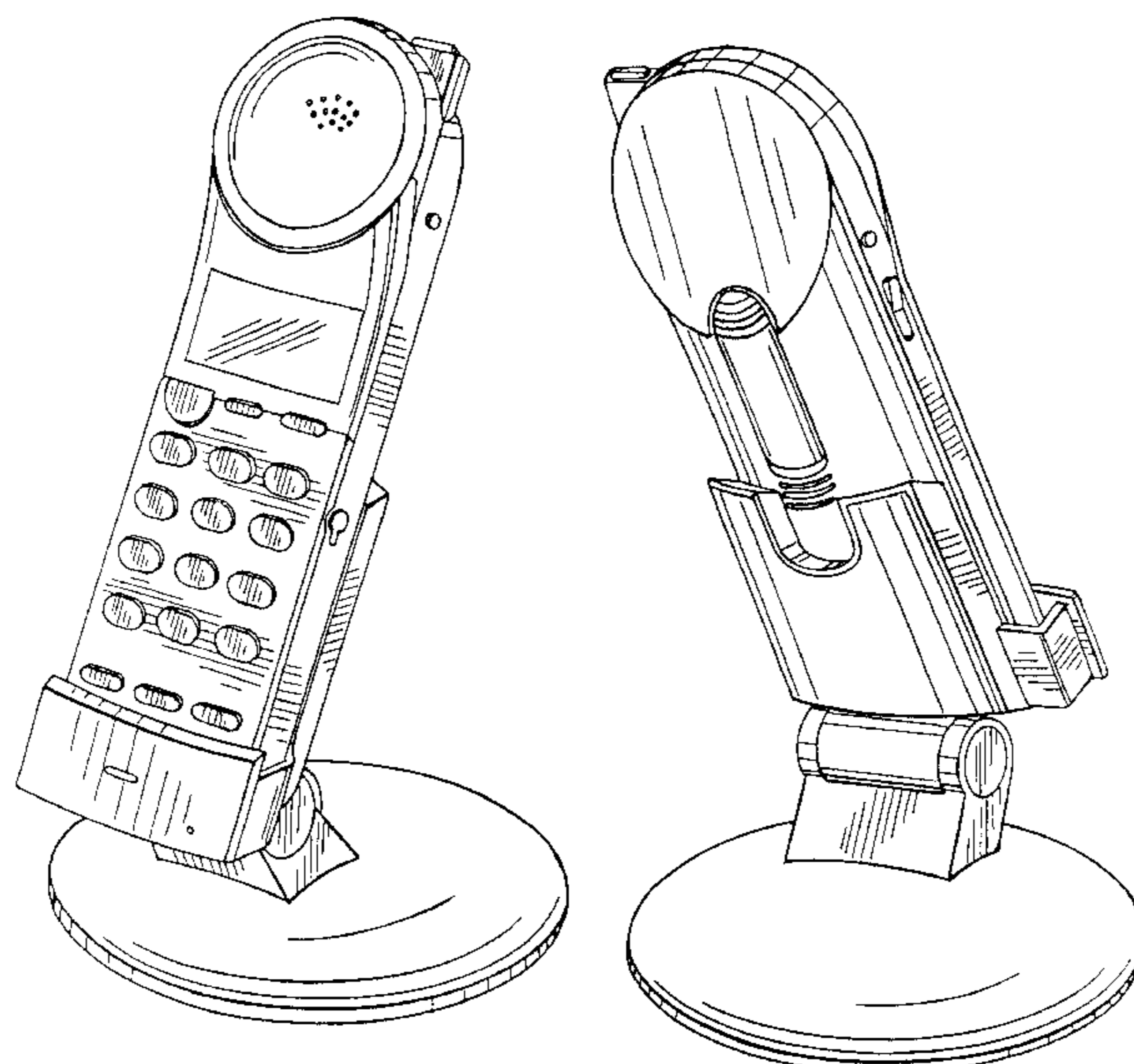
The ornamental design for a cordless phone and base, as shown and described.

DESCRIPTION

FIG. 1 is a right front perspective view of a cordless phone and base, showing our new design;
 FIG. 2 is a left rear perspective view thereof;
 FIG. 3 is a top view of the base;
 FIG. 4 is a front view of the cordless phone;
 FIG. 5 is a right hand side view of the phone;
 FIG. 6 is a left hand side view of the phone;
 FIG. 7 is a rear view of the phone;
 FIG. 8 is a bottom end view of the phone;
 FIG. 9 is a top end view of the phone;
 FIG. 10 is a front view of the base;
 FIG. 11 is a left hand side view of the phone, the opposite side being a mirror image thereof;
 FIG. 12 is a left hand side view of a modified configuration of the phone, differing only in the external belt clip;
 FIG. 13 is a rear view of the modified phone; and,
 FIG. 14 is a top end view thereof.

The telephone base and handset have been shown separately in FIGS. 3-14 for convenience of illustration.

1 Claim, 3 Drawing Sheets



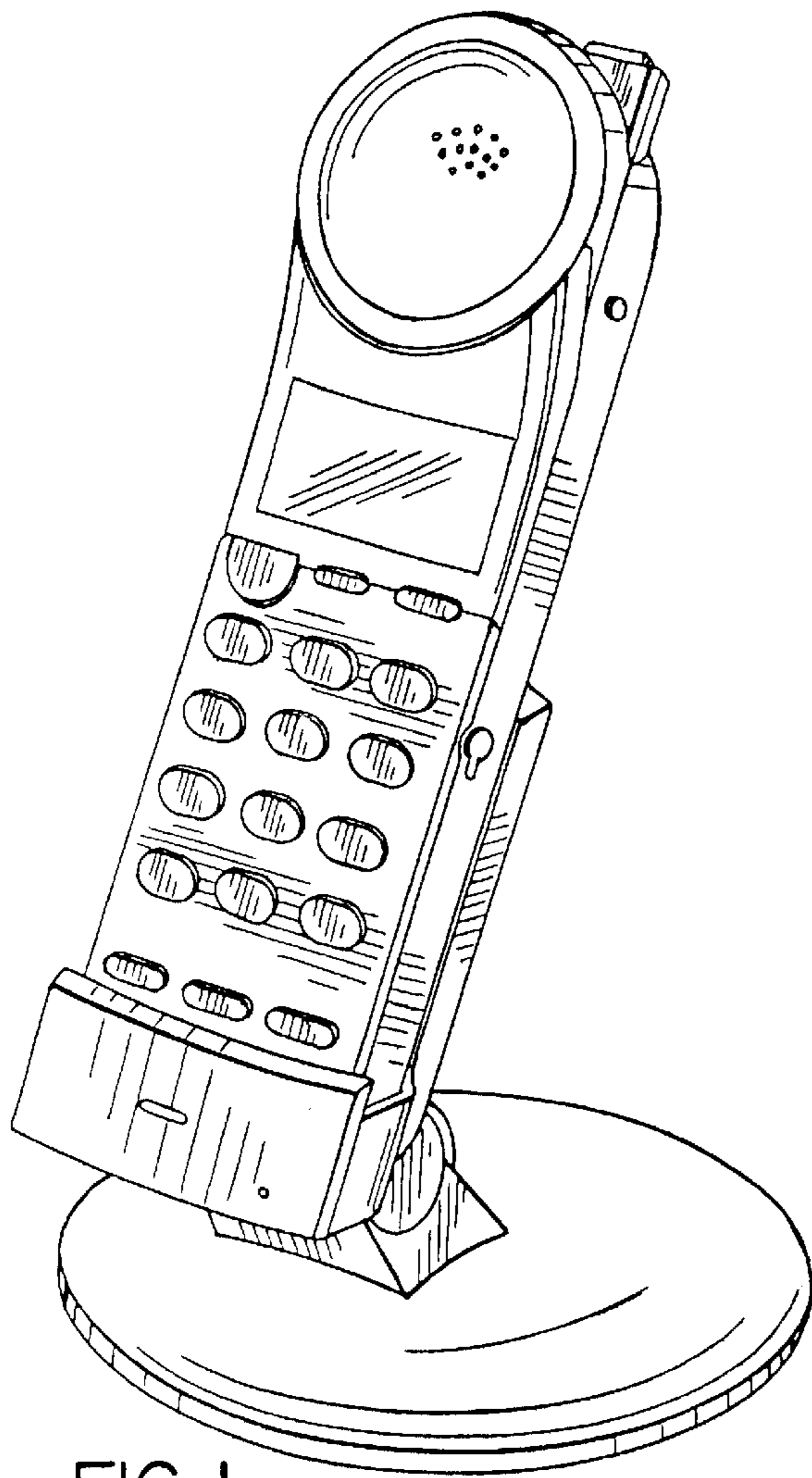


FIG. 1

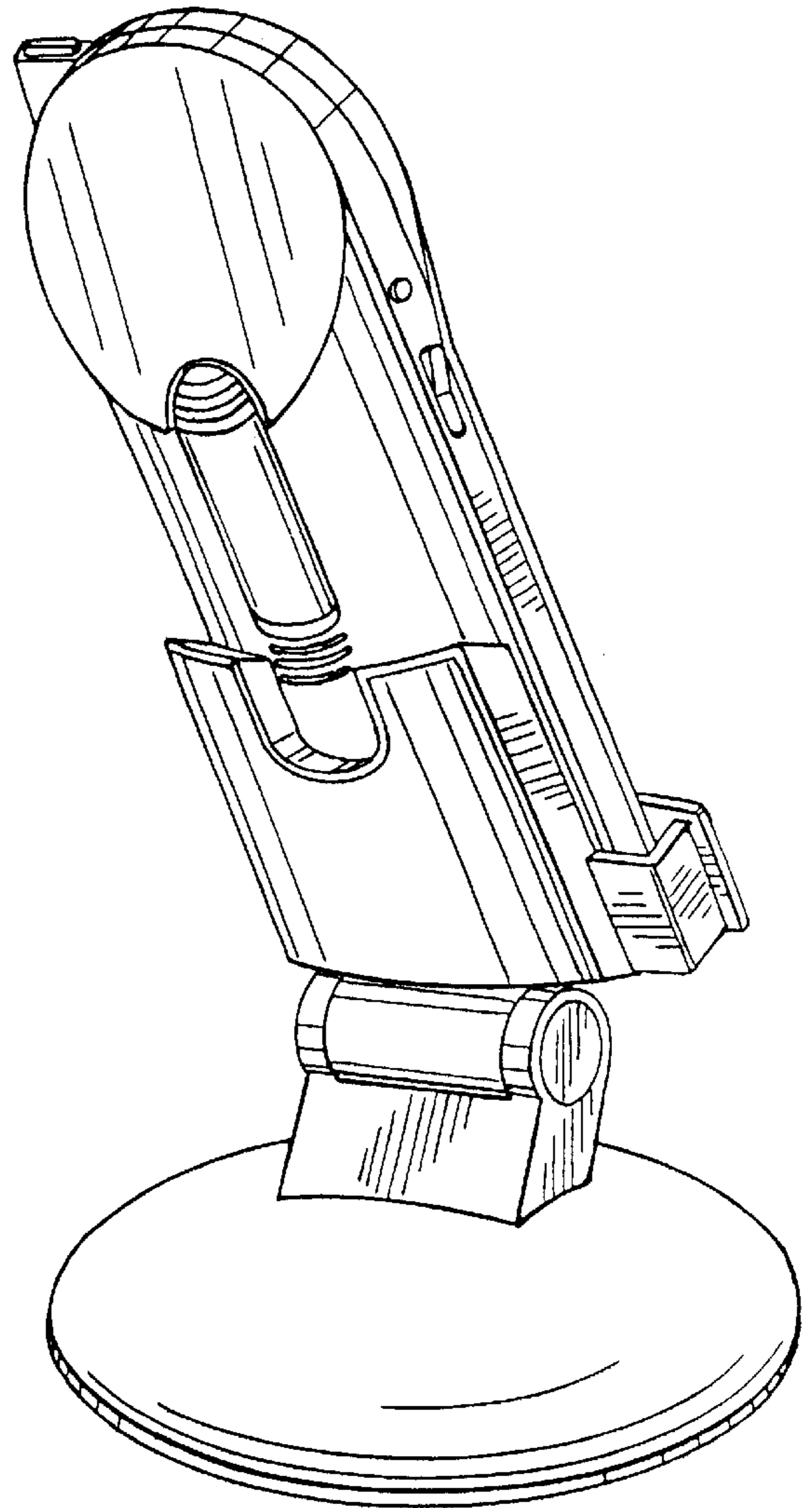


FIG. 2

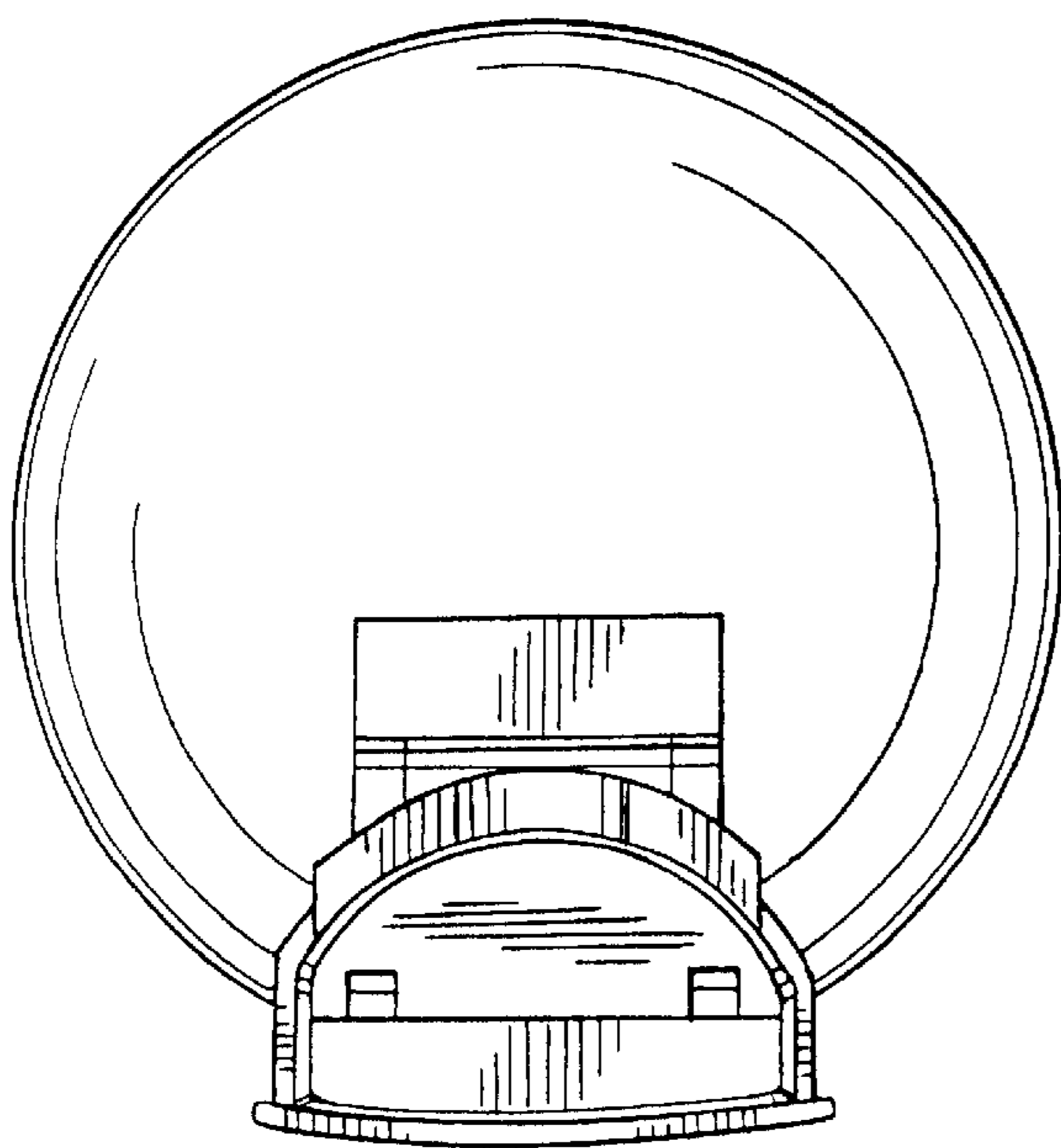


FIG. 3

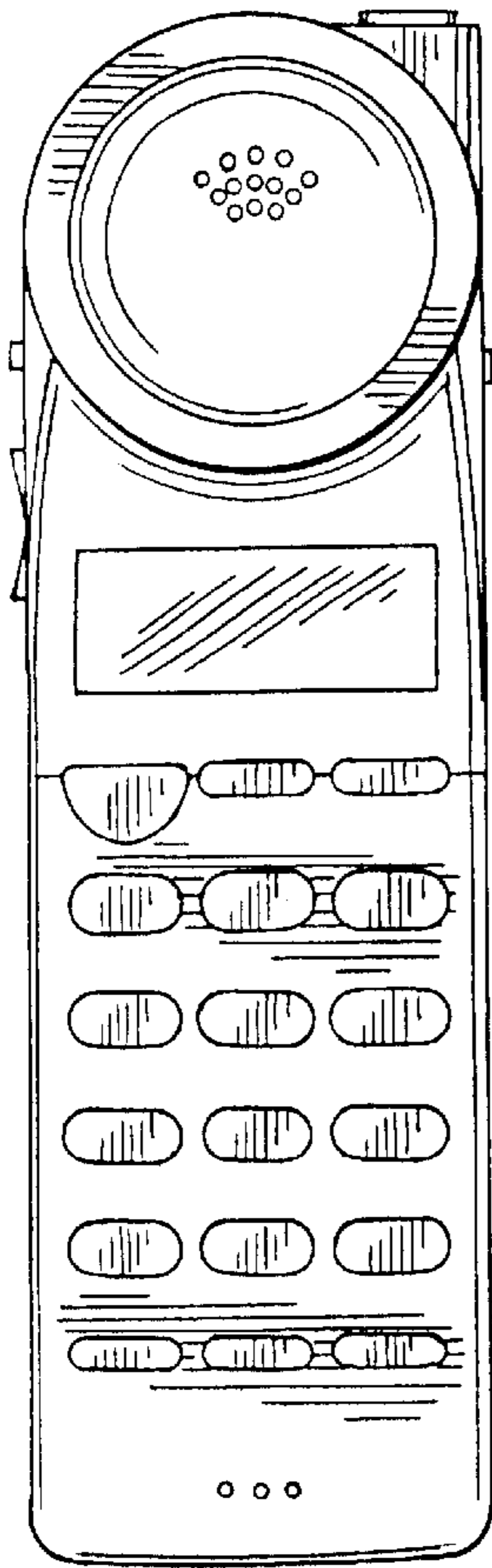


FIG. 4

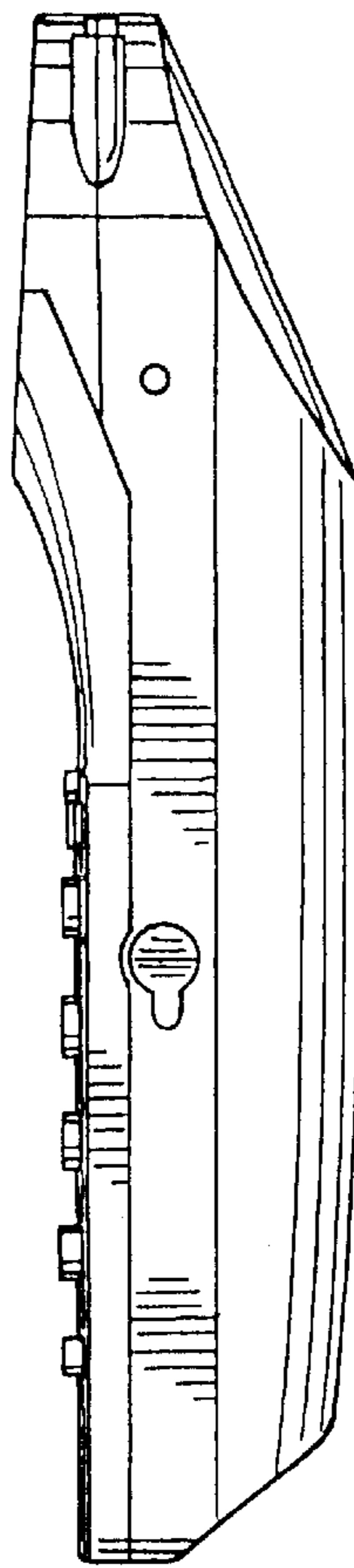


FIG. 5

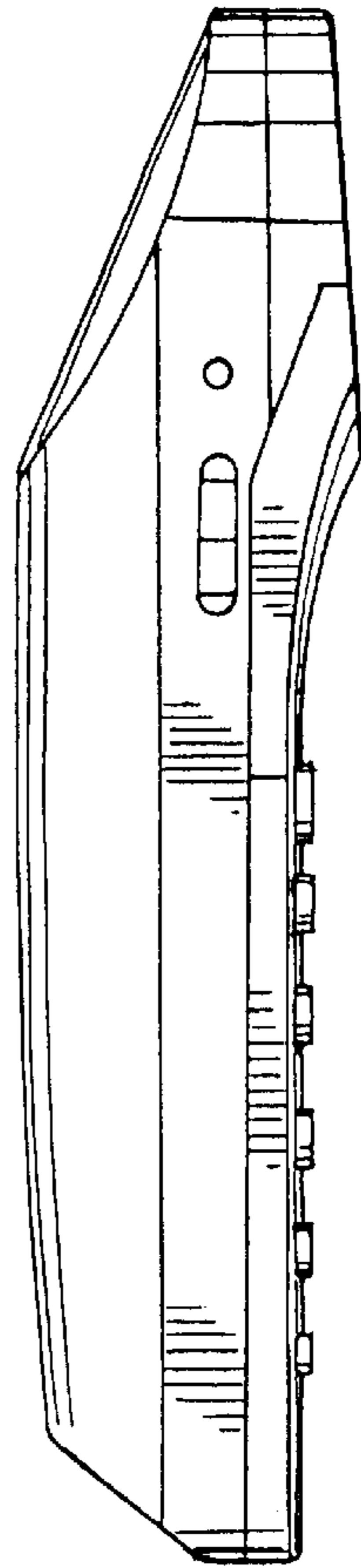


FIG. 6

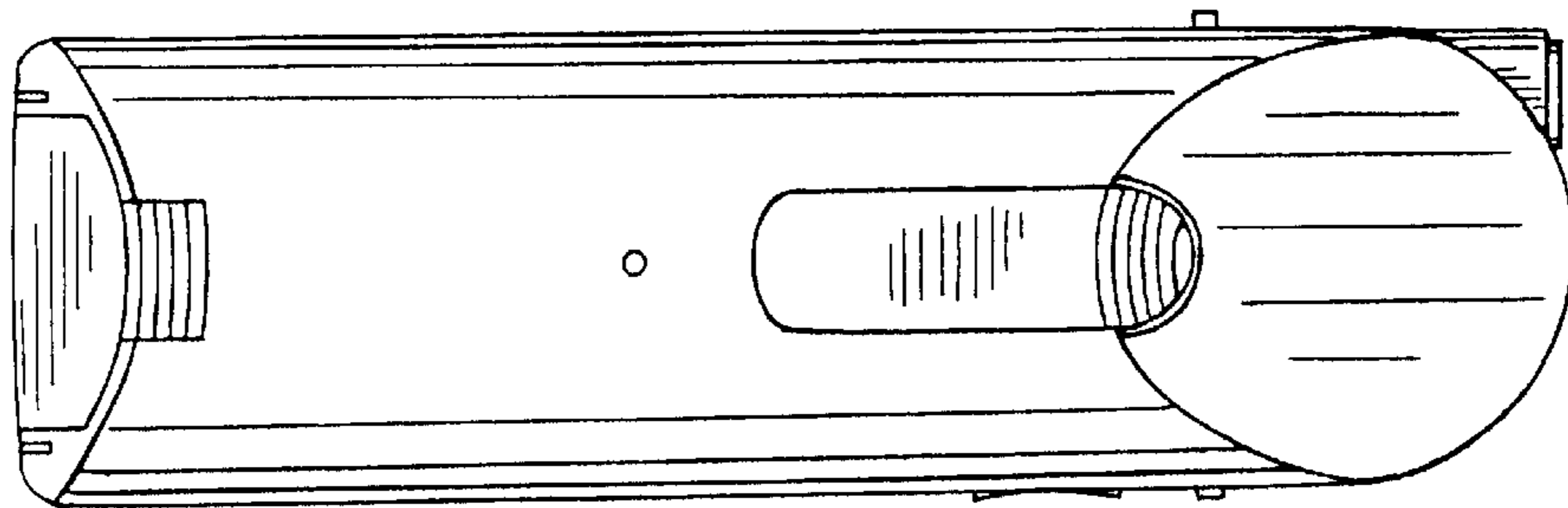


FIG. 7

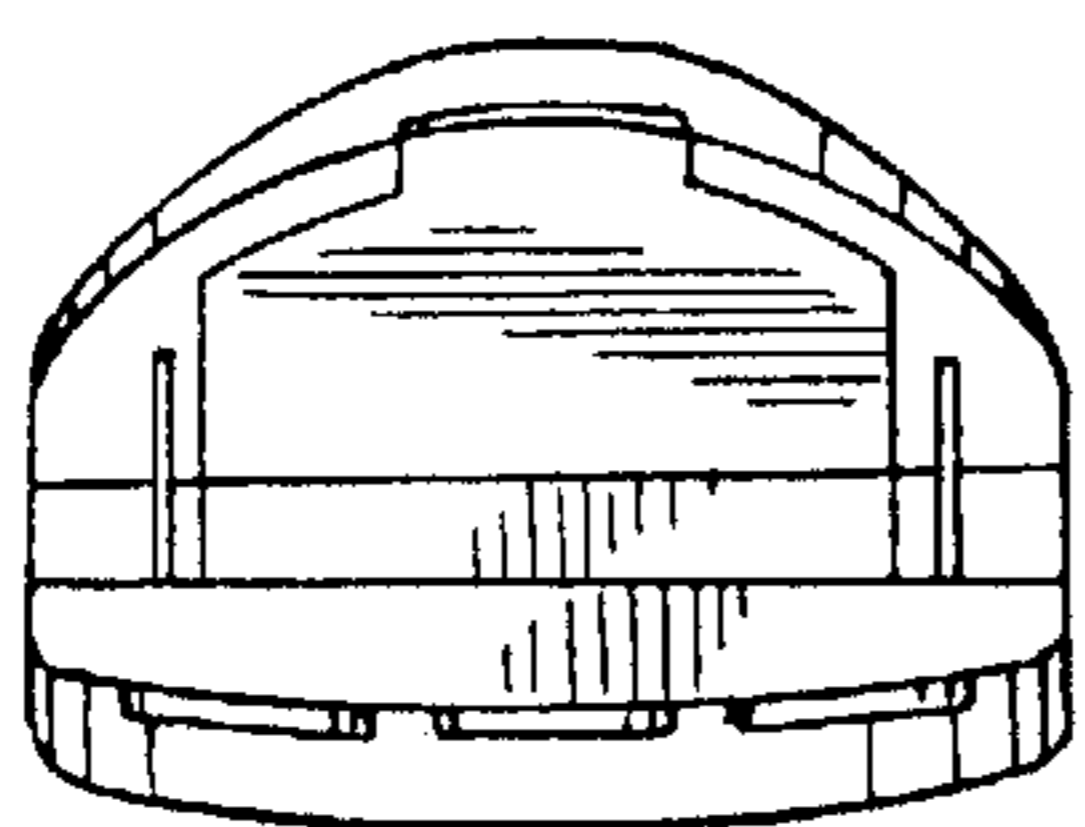


FIG. 8

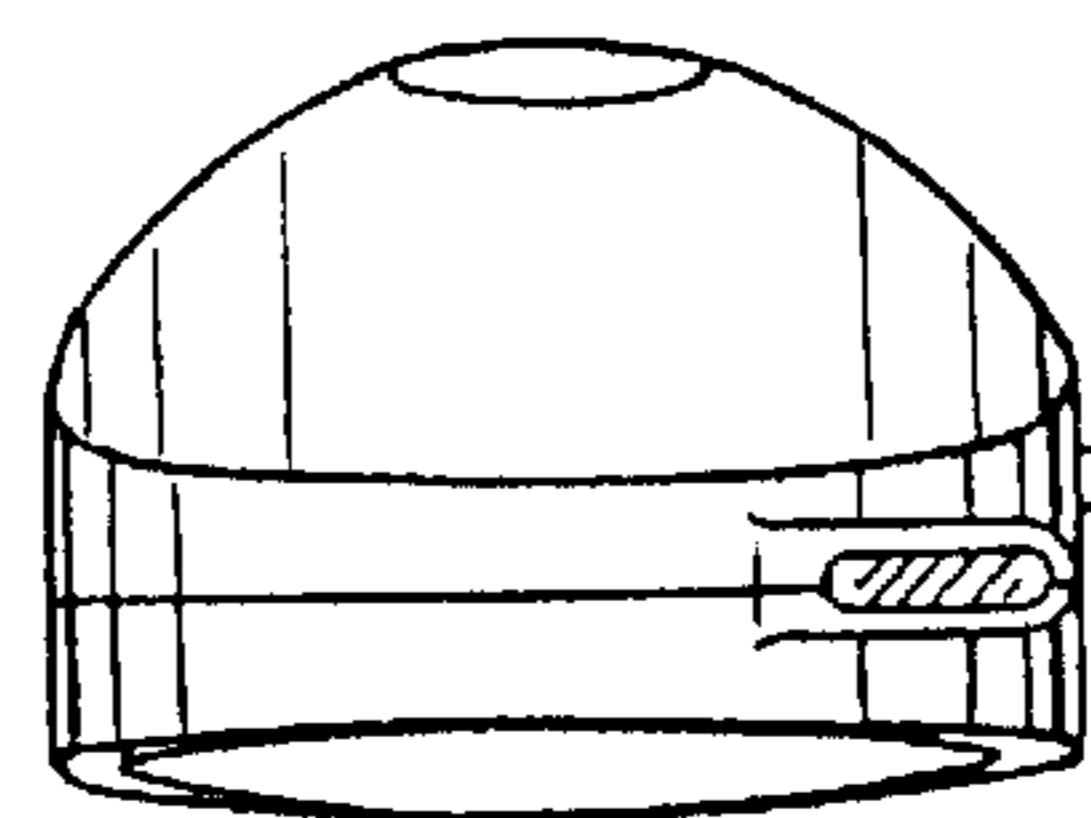


FIG. 9

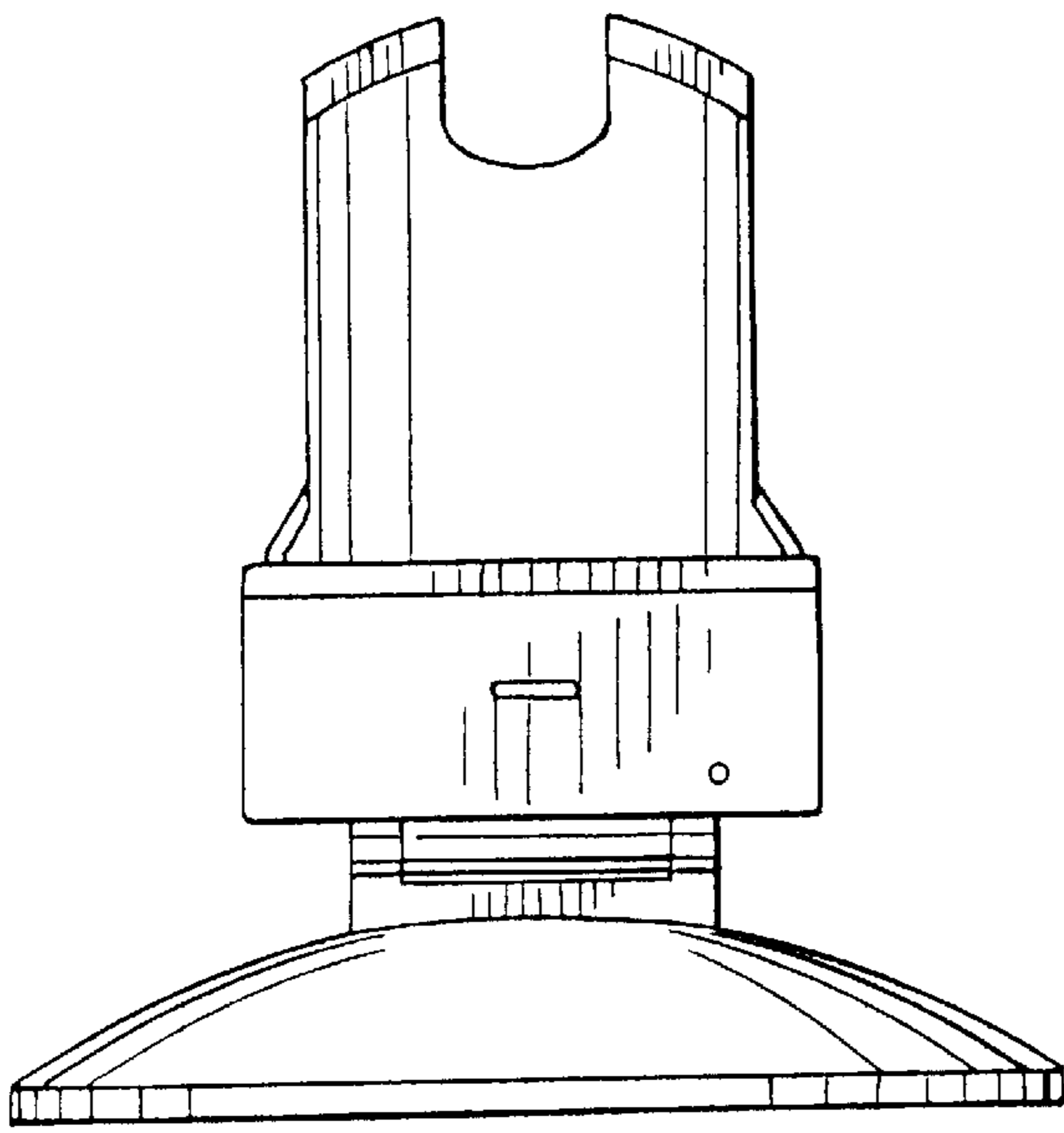


FIG. 10

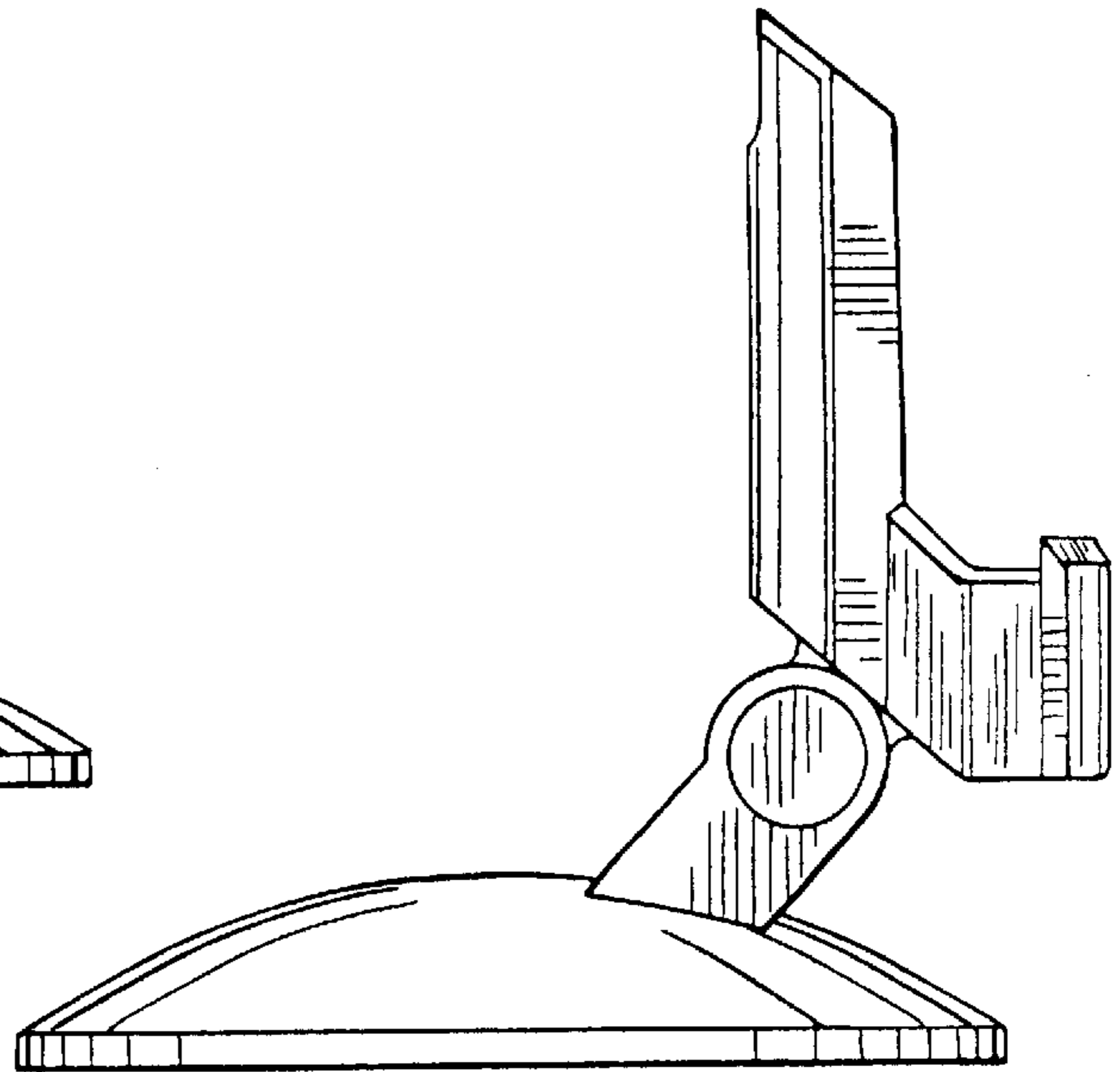


FIG. 11

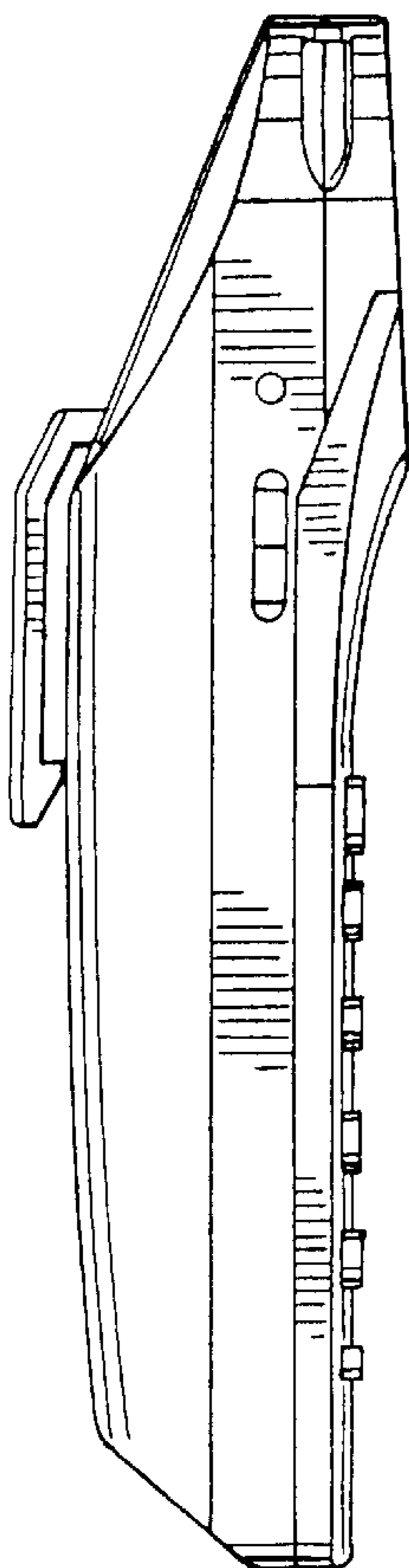


FIG. 12

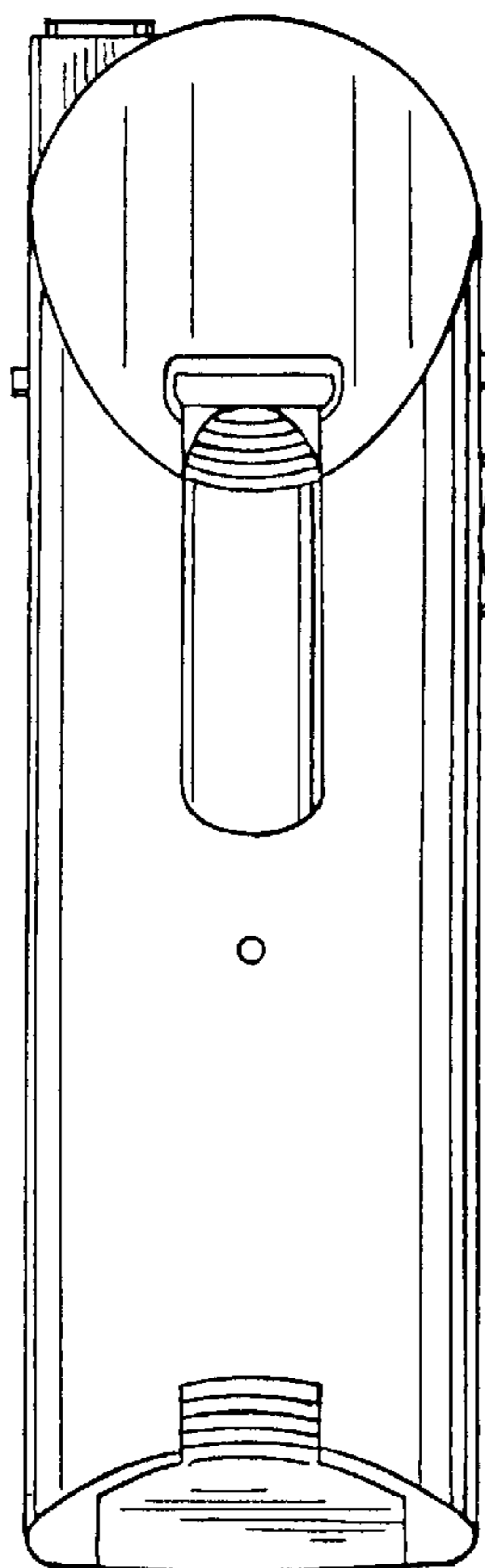


FIG. 13

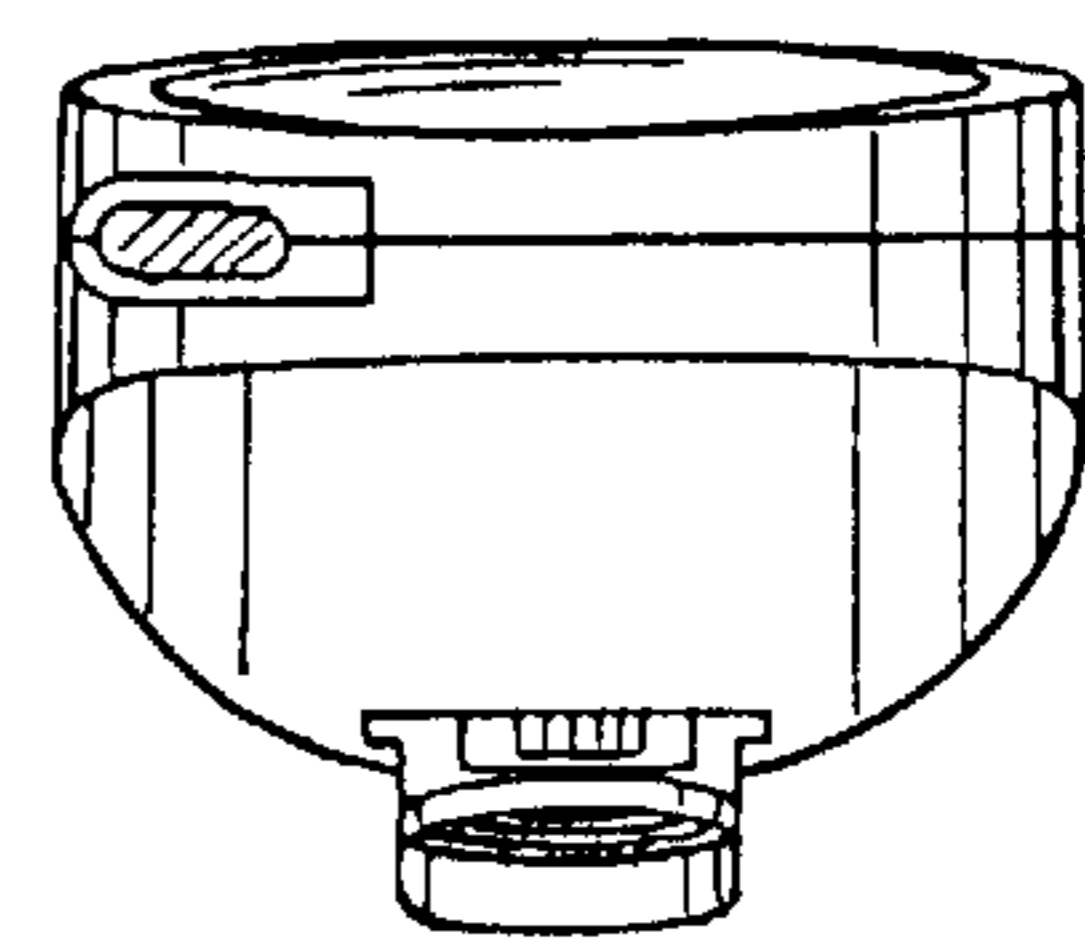


FIG. 14