



US00D464630S

(12) **United States Design Patent**  
**Woodworth**

(10) **Patent No.:** **US D464,630 S**

(45) **Date of Patent:** **\*\* Oct. 22, 2002**

(54) **SWITCH BOX**

(75) **Inventor:** **David Glenn Woodworth, Erin (CA)**

(73) **Assignee:** **Camden Marketing Inc., Mississauga (CA)**

(\*\*) **Term:** **14 Years**

(21) **Appl. No.:** **29/150,044**

(22) **Filed:** **Nov. 2, 2001**

(30) **Foreign Application Priority Data**

Oct. 9, 2001 (CA) ..... 2001-2421

(51) **LOC (7) Cl.** ..... **13-03**

(52) **U.S. Cl.** ..... **D13/171; D13/177**

(58) **Field of Search** ..... D13/158, 171,  
D13/174, 177; D8/310; D10/108, 116, 118;  
200/276.1, 296, 302.2, 304, 341, 345

(56) **References Cited**

**U.S. PATENT DOCUMENTS**

D186,769 S \* 12/1959 Haun et al. .... D13/158  
4,677,268 A \* 6/1987 Nemeth et al. .... 200/513  
D300,528 S \* 4/1989 Drane ..... D13/171

D305,022 S \* 12/1989 Hallgren et al. .... D13/171  
D309,447 S \* 7/1990 Bandari ..... D13/158  
D374,658 S 10/1996 Bever et al. .... D13/177  
D387,734 S \* 12/1997 Hawkins, Jr. et al. .... D13/158  
D420,539 S \* 2/2000 Tedesco ..... D6/500  
D421,727 S \* 3/2000 Pierson et al. .... D10/116  
6,107,583 A \* 8/2000 Berfield ..... 200/302.2  
D441,346 S \* 5/2001 Bonn ..... D13/174

\* cited by examiner

*Primary Examiner*—James Gandy

*Assistant Examiner*—Selina Sikder

(74) *Attorney, Agent, or Firm*—Dimock Stratton Clarizio;  
Mark B. Eisen

(57) **CLAIM**

The ornamental design for a switch box, as shown and described.

**DESCRIPTION**

FIG. 1 is a perspective view of the switch box;  
FIG. 2 is a front elevation view thereof; and,  
FIG. 3 is a side elevation view thereof.

The broken line showing of the button is for illustrative purpose only and forms not part of the claimed design.

**1 Claim, 2 Drawing Sheets**

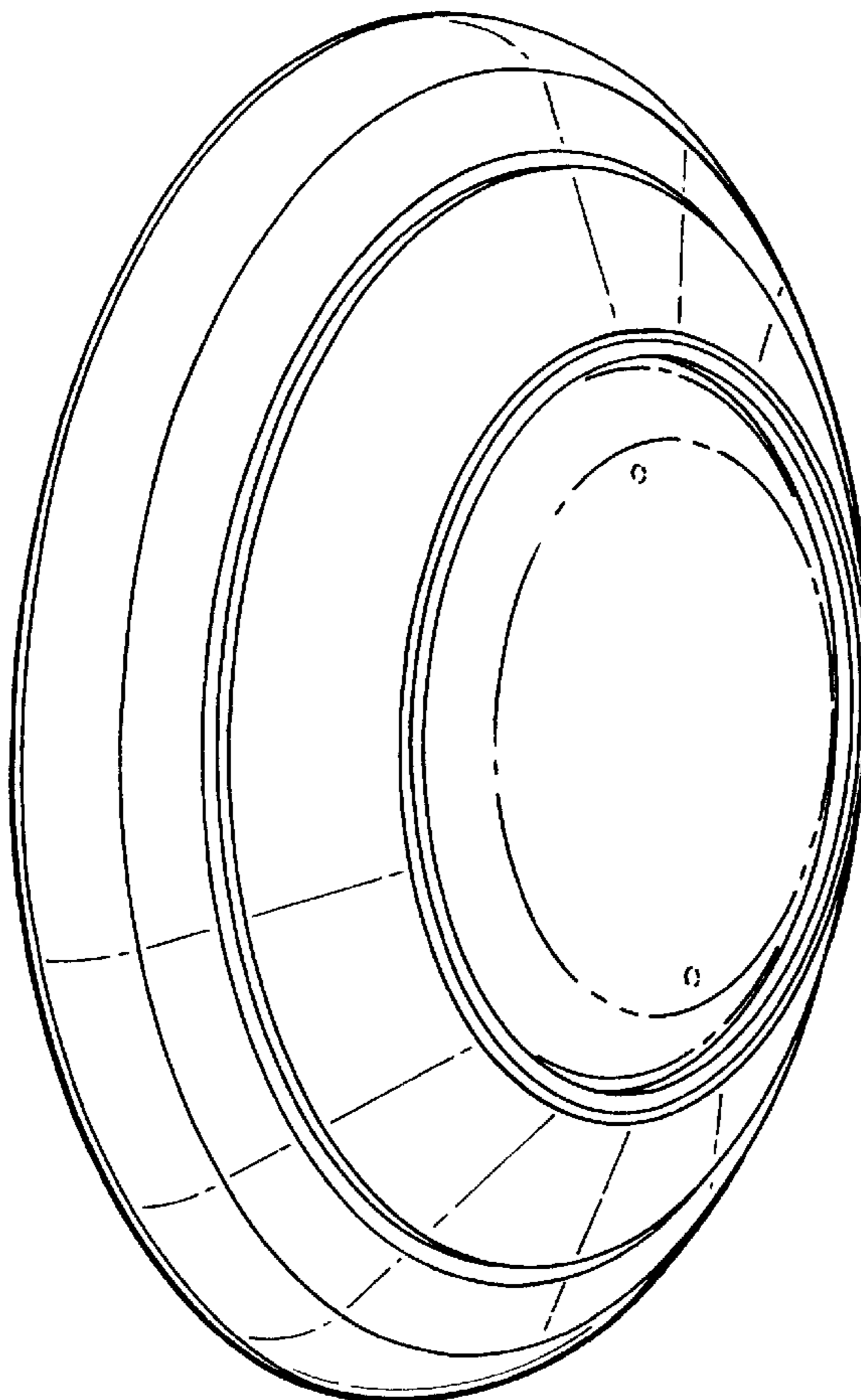


FIG. 1.

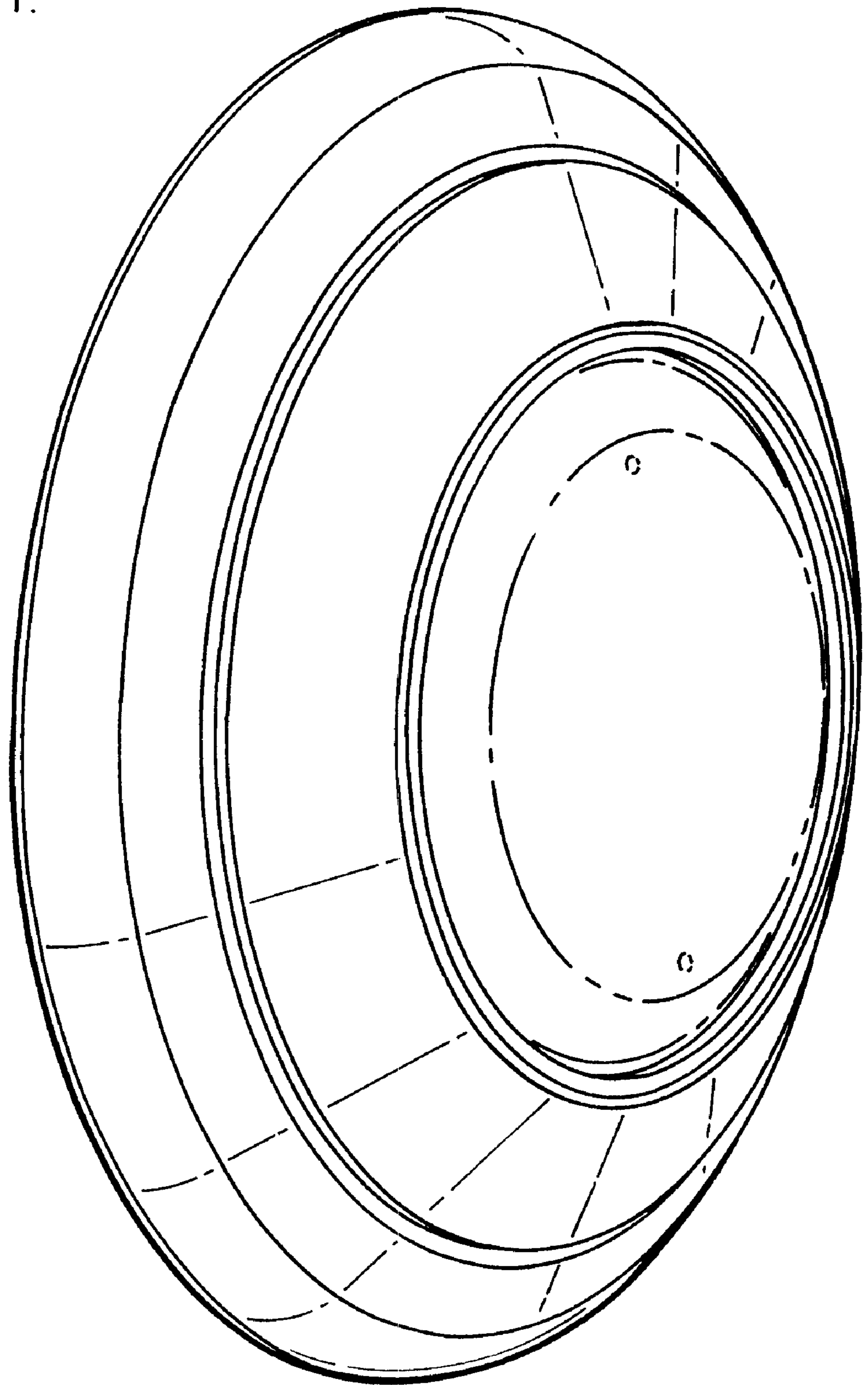


FIG. 2.

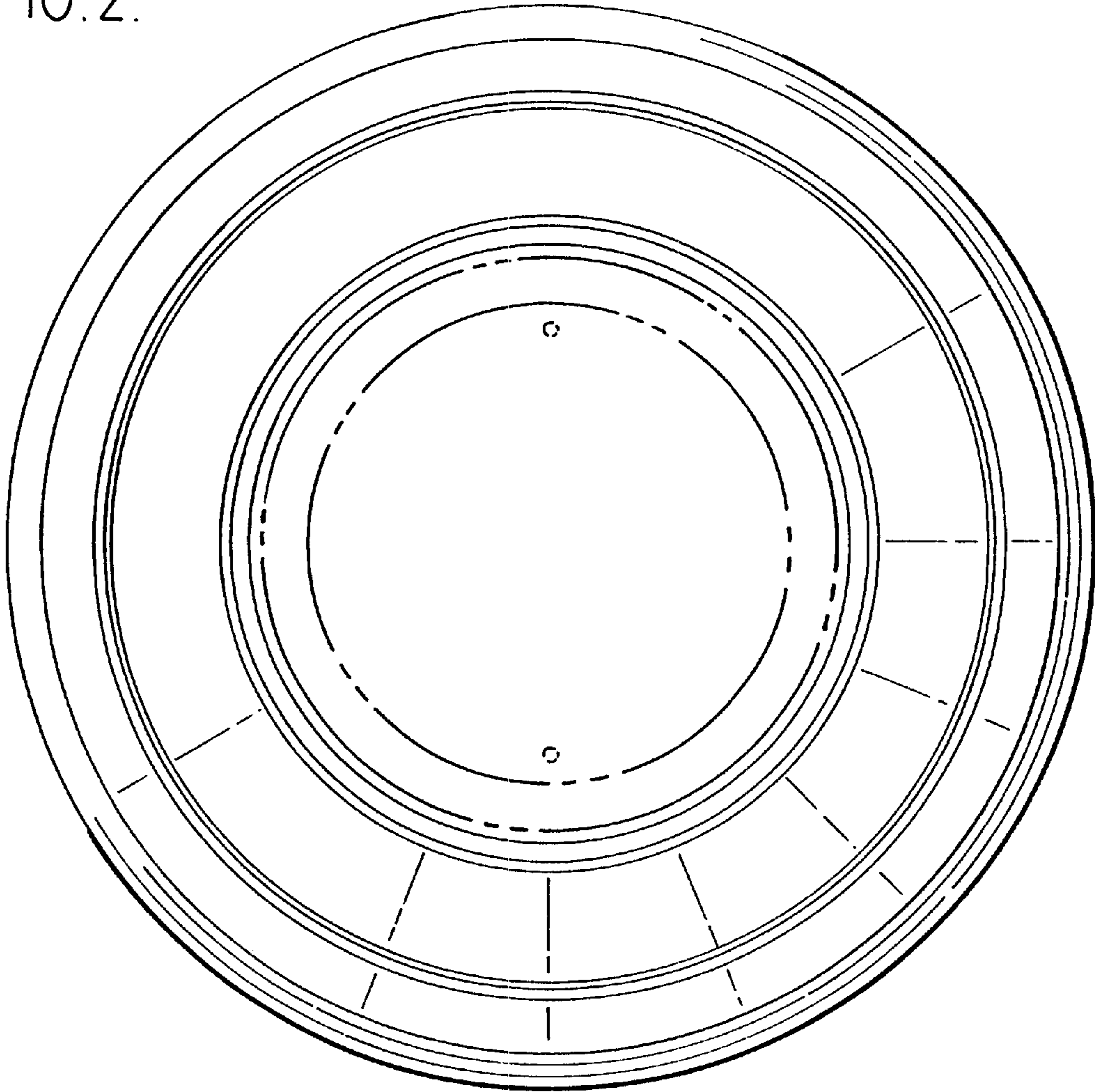


FIG. 3.

