



US00D464629S

(12) **United States Design Patent**
Dowd et al.

(10) **Patent No.:** **US D464,629 S**

(45) **Date of Patent:** **** Oct. 22, 2002**

(54) **DUAL CONTROL SLIDE DIMMER**

(75) Inventors: **David Dowd**, North Syracuse, NY (US); **Dejan Radosavljevic**, LaFayette, NY (US); **Kenneth Vought**, Tully, NY (US)

(73) Assignee: **Pass & Seymour, Inc.**, Syracuse, NY (US)

(**) Term: **14 Years**

(21) Appl. No.: **29/148,922**

(22) Filed: **Sep. 28, 2001**

(51) **LOC (7) Cl.** **13-03**

(52) **U.S. Cl.** **D13/170**

(58) **Field of Search** D8/350, 353; D13/162, D13/170, 171; 200/16 D, 547-551, 553, 563, 241, 252, 329, 330; 307/112, 115, 125; 338/62, 74, 152, 163, 184, 198-200; 301/600, 627; 315/291

(56) **References Cited**

U.S. PATENT DOCUMENTS

- D241,853 S * 10/1976 Spira D13/170
- 4,131,870 A * 12/1978 Hilgendorf et al. 338/183
- 4,196,406 A * 4/1980 Salem 333/141
- D325,567 S * 4/1992 Jacoby, Jr. et al. D13/170

- D329,635 S * 9/1992 Tsai D13/110
- D336,744 S * 6/1993 Kahn et al. D13/171
- D380,451 S * 7/1997 Krajci et al. D13/170
- D384,038 S * 9/1997 Ko D13/162
- D405,061 S * 2/1999 Thomas D13/170
- D436,934 S * 1/2001 Hayduke et al. D13/170
- D437,584 S * 2/2001 Radosavljevic et al. ... D13/170

* cited by examiner

Primary Examiner—Ted Shooman

Assistant Examiner—Selina Sikder

(74) *Attorney, Agent, or Firm*—Wall Marjama & Bilinski LLP

(57) **CLAIM**

The ornamental design for a dual control slide dimmer, as shown and described.

DESCRIPTION

FIG. 1 is a front elevation of a dual control slide dimmer showing my new design;

FIG. 2 is a left side elevation view thereof;

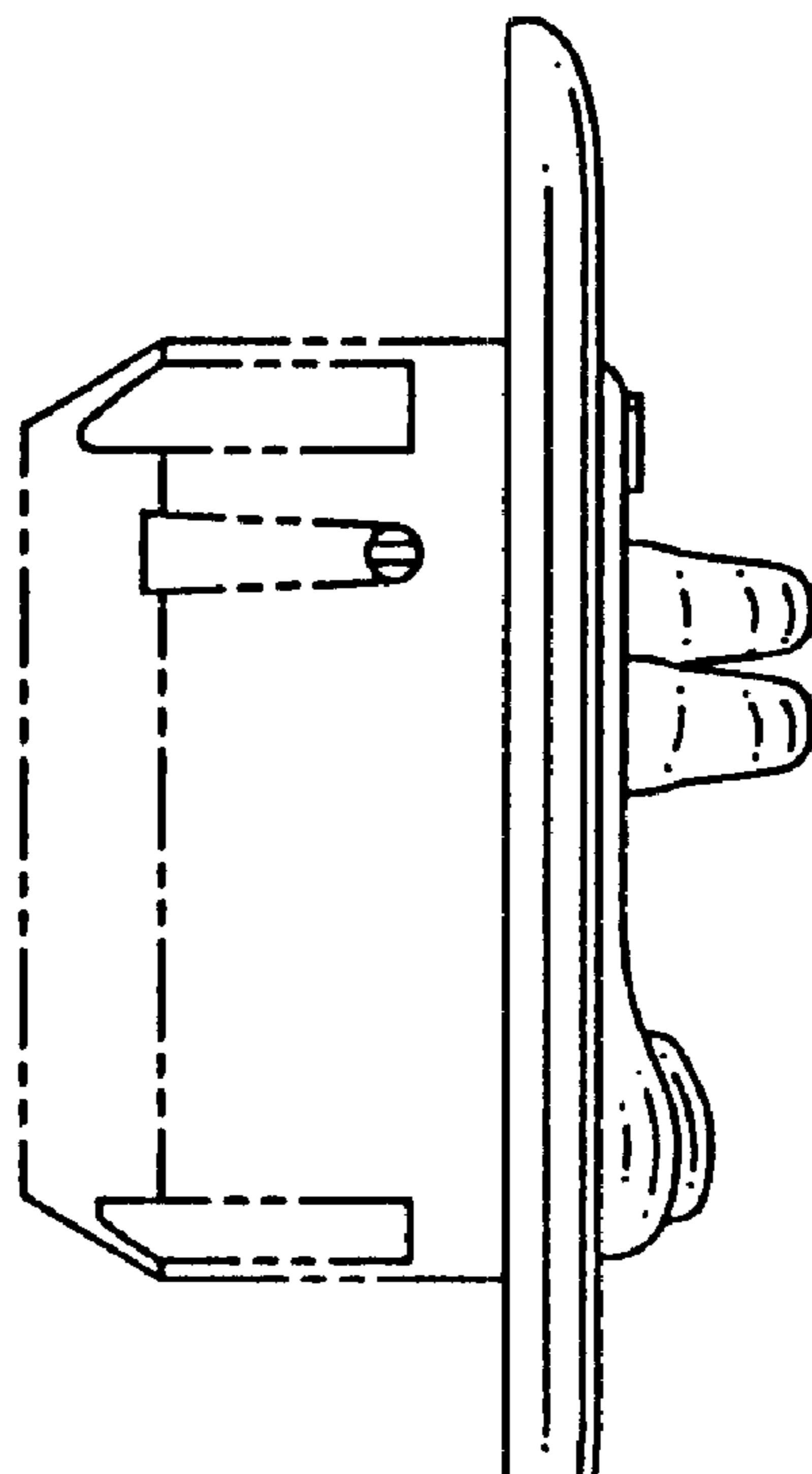
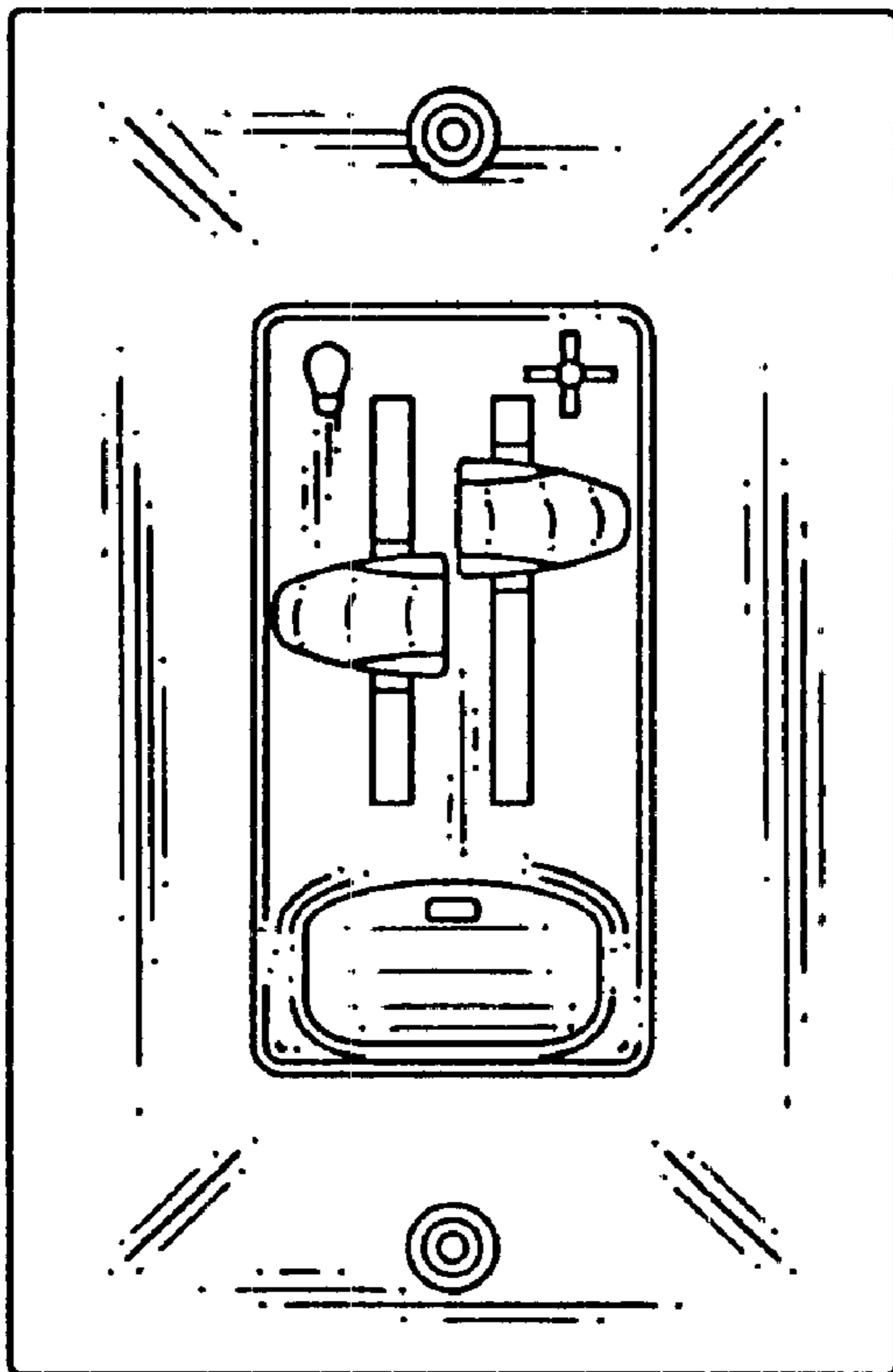
FIG. 3 is a right side elevation view thereof;

FIG. 4 is a top view thereof; and,

FIG. 5 is a bottom view thereof.

The broken line is for illustrative purposes only and forms no part of the claimed design.

1 Claim, 1 Drawing Sheet



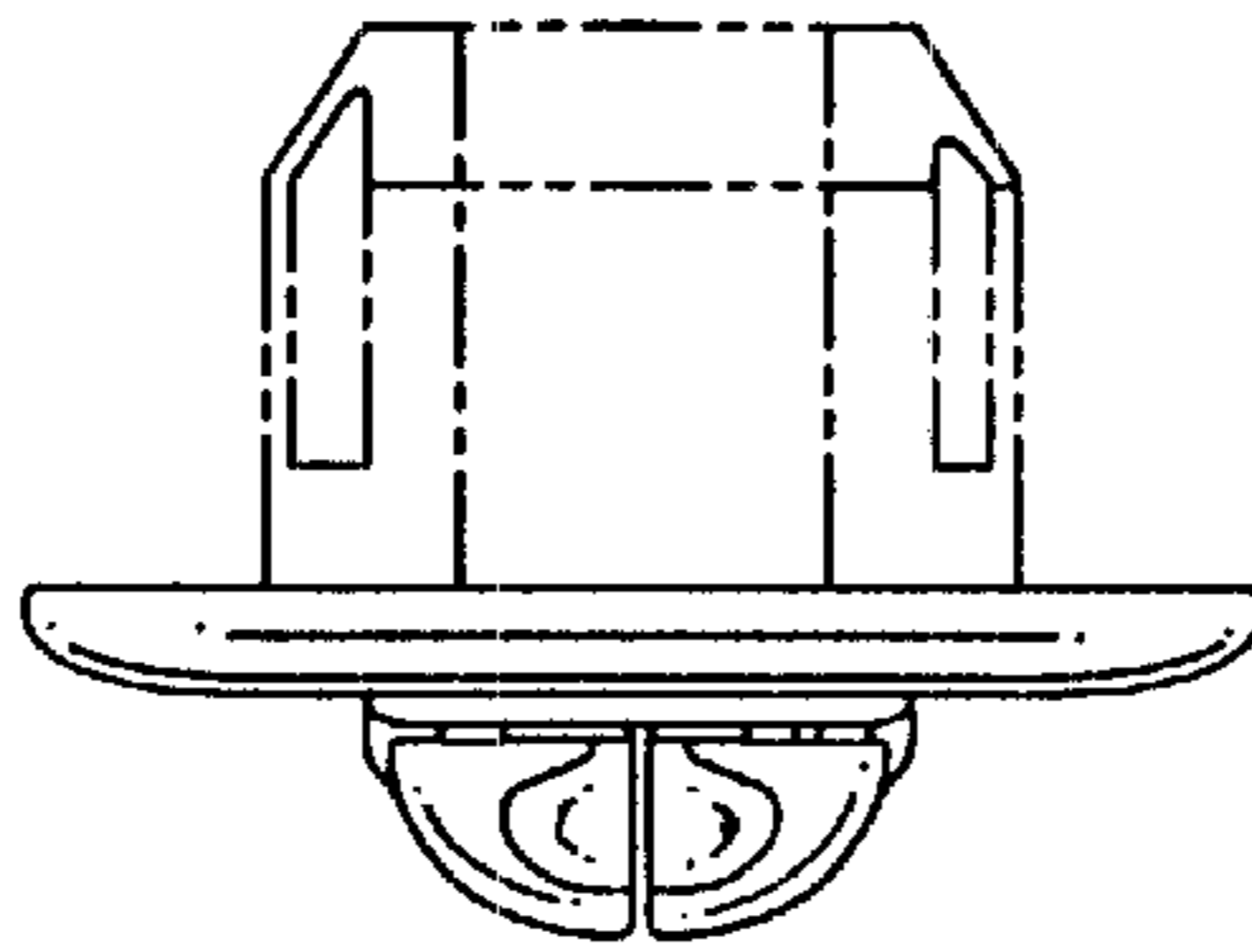


FIG. 4

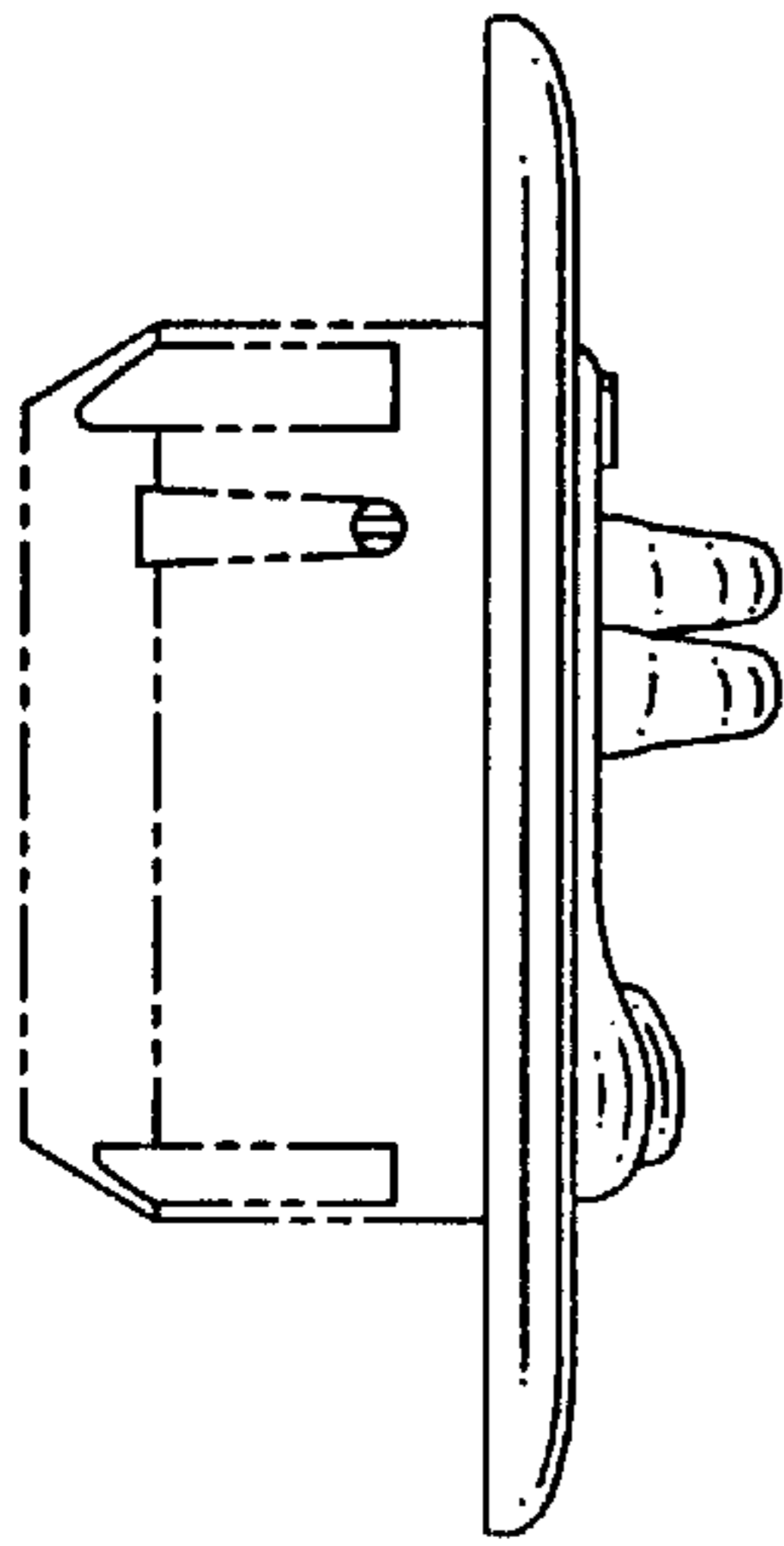


FIG. 2

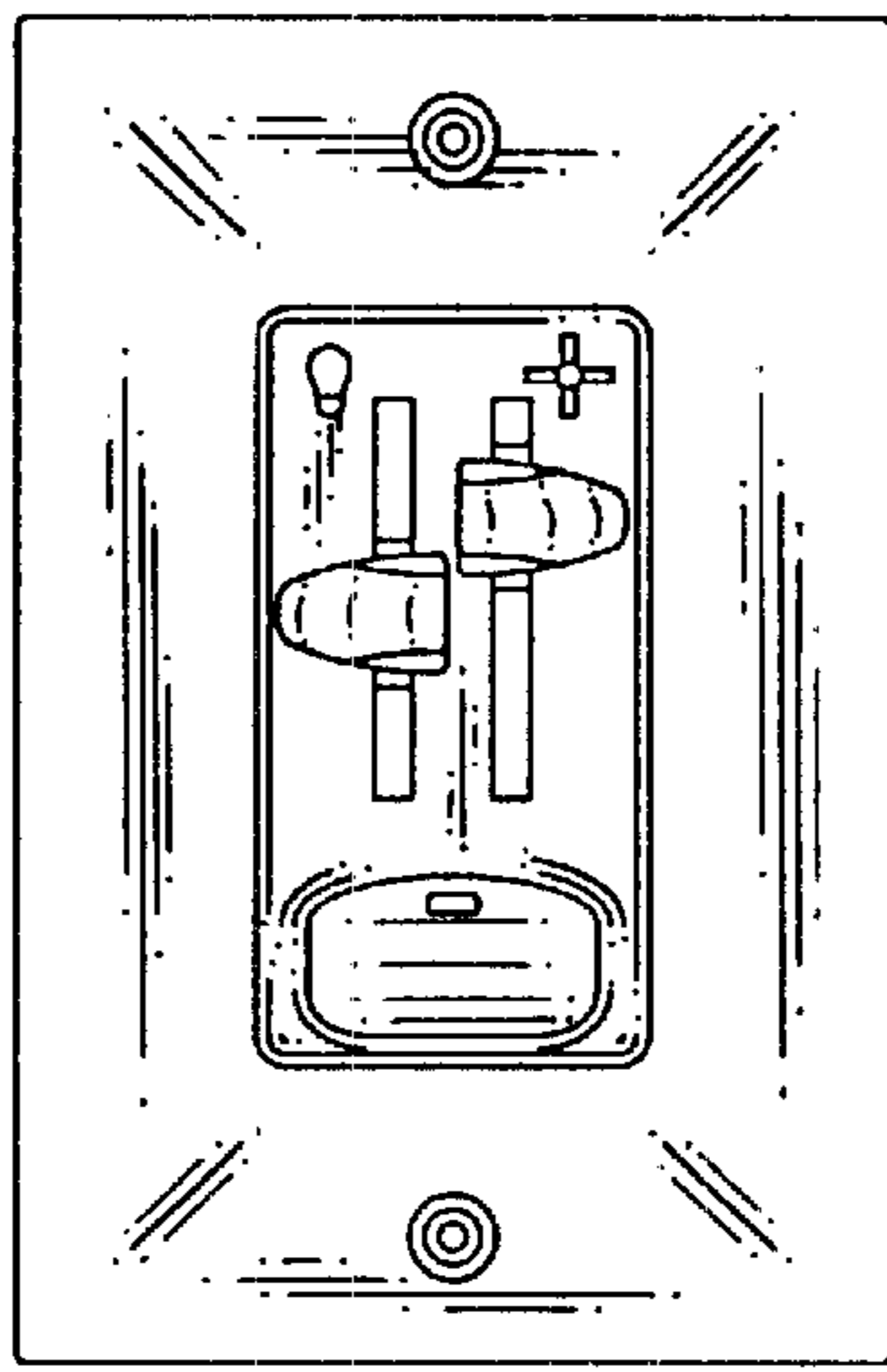


FIG. 1

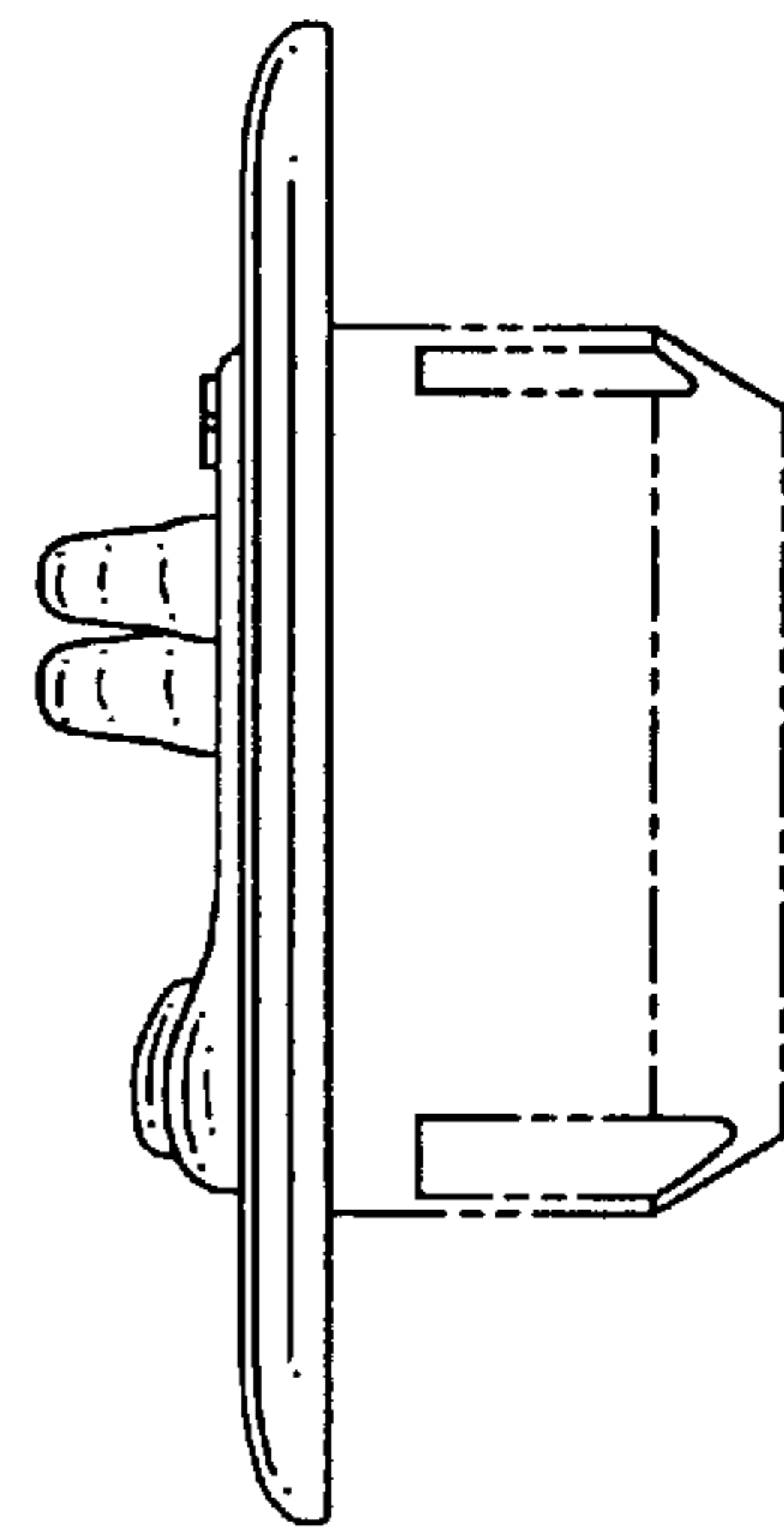


FIG. 3

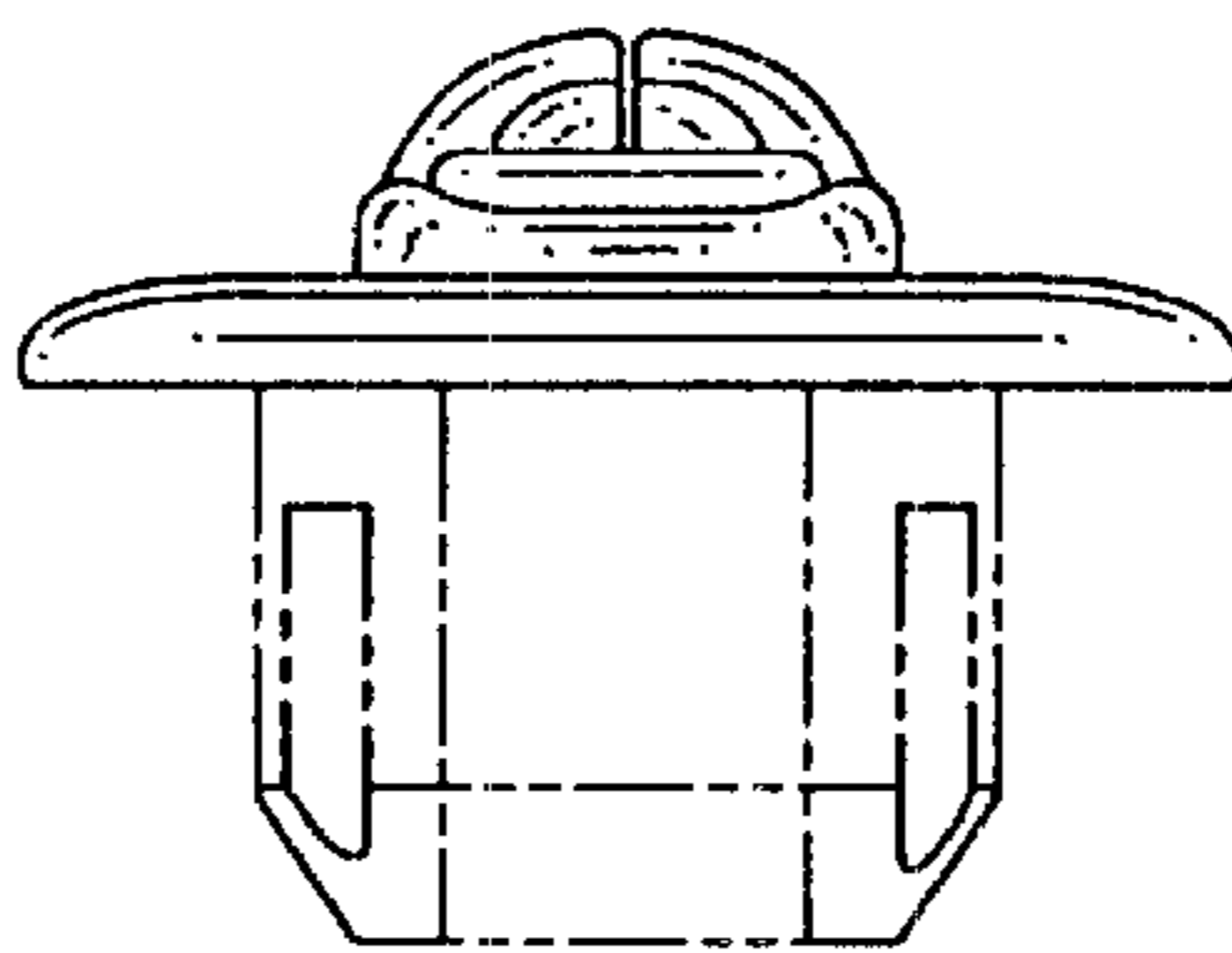


FIG. 5