



US00D464625S

(12) **United States Design Patent**
Chen

(10) **Patent No.: US D464,625 S**

(45) **Date of Patent: ** *Oct. 22, 2002**

(54) **CONNECTOR FOR PRINTED CIRCUIT
BOARDS**

(75) **Inventor: Ping Chen, West Bloomfield, MI (US)**

(73) **Assignee: J.S.T. Mfg. Co., Ltd., Osaka (JP)**

(*) **Notice:** This patent is subject to a terminal disclaimer.

(**) **Term: 14 Years**

(21) **Appl. No.: 29/133,970**

(22) **Filed: Dec. 13, 2000**

(30) **Foreign Application Priority Data**

Jun. 19, 2000 (JP) 2000-016511

(51) **LOC (7) Cl. 13-03**

(52) **U.S. Cl. D13/147**

(58) **Field of Search D13/147; 439/350,
439/352, 353, 354, 357, 752, 358**

(56) **References Cited**

U.S. PATENT DOCUMENTS

D314,752 S	*	2/1991	Maejima et al.	D13/147
5,145,413 A	*	9/1992	Okamoto et al.	439/620
5,236,373 A	*	8/1993	Kennedy 439/352 X	
5,256,086 A	*	10/1993	Ponn 439/607	
5,415,566 A	*	5/1995	Brunker et al.	439/608
5,425,650 A	*	6/1995	Maeda D13/147 X	

5,622,508 A	*	4/1997	Nagahata et al.	439/79
D439,884 S	*	4/2001	Ushio D13/147	
D439,885 S	*	4/2001	Ushio D13/147	
6,280,246 B1	*	8/2001	Sawayanagi 439/567	
2001/0021603 A1	*	9/2001	Chen 439/358	

* cited by examiner

Primary Examiner—Joel Sincavage

(74) *Attorney, Agent, or Firm*—Antonelli, Terry, Stout & Kraus, LLP

(57) **CLAIM**

The ornamental design for a connector for printed circuit boards, as shown and described.

DESCRIPTION

FIG. 1 is a top plan view;
 FIG. 2 is a front elevation;
 FIG. 3 is a bottom plan view;
 FIG. 4 is a right-side elevation;
 FIG. 5 is a rear elevation;
 FIG. 6 is a frontal perspective view;
 FIG. 7 is a rear perspective view; and,
 FIG. 8 is a cross sectional taken along line 8—8 in FIG. 2.
 The present design is characterized by a tongue intervening between two recesses that are disposed in a top of the connector and intermediate between its lateral sides, and also by a tapered ridge continuing to the rear ends of the tongue and recesses.

1 Claim, 3 Drawing Sheets

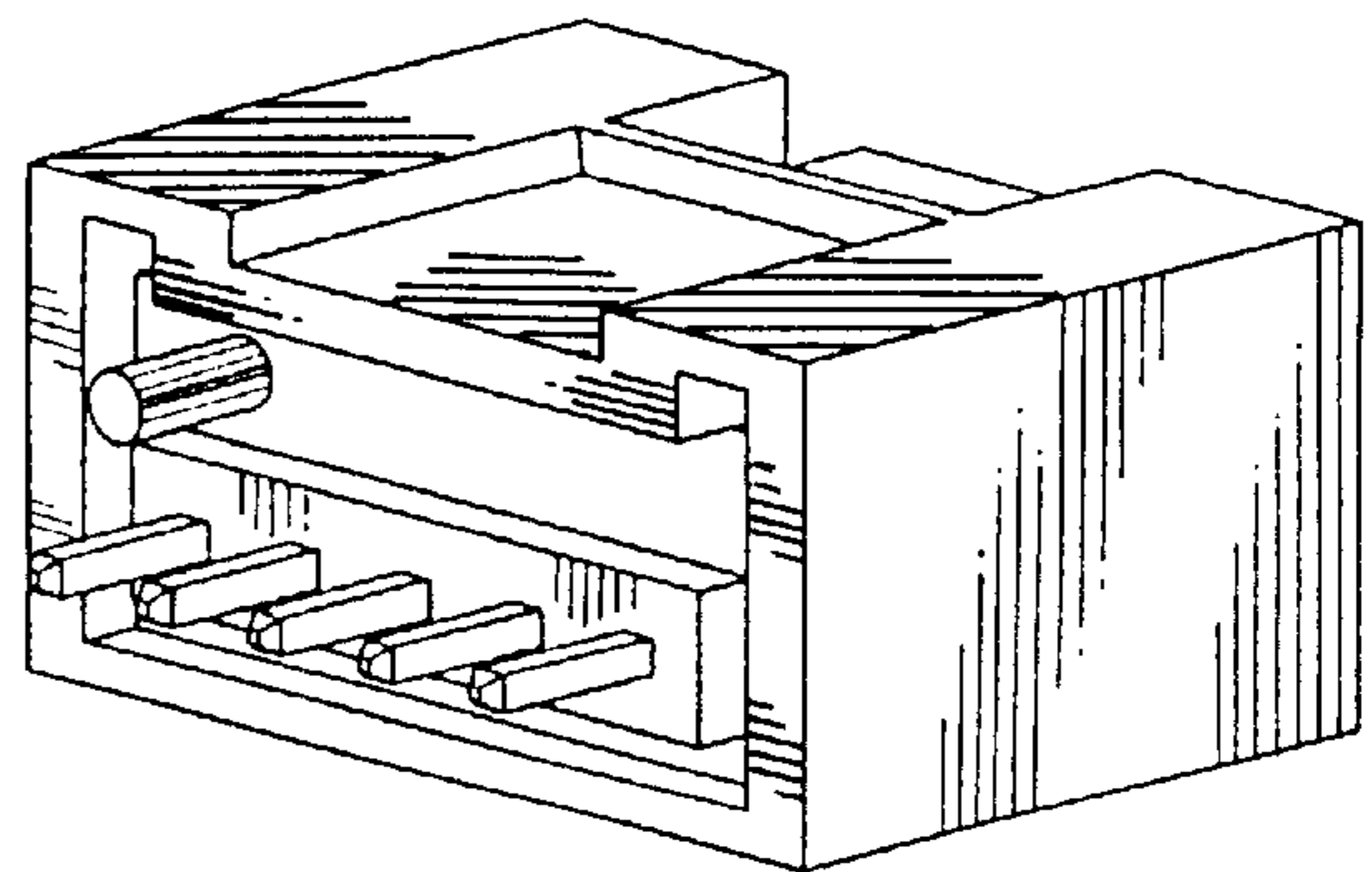
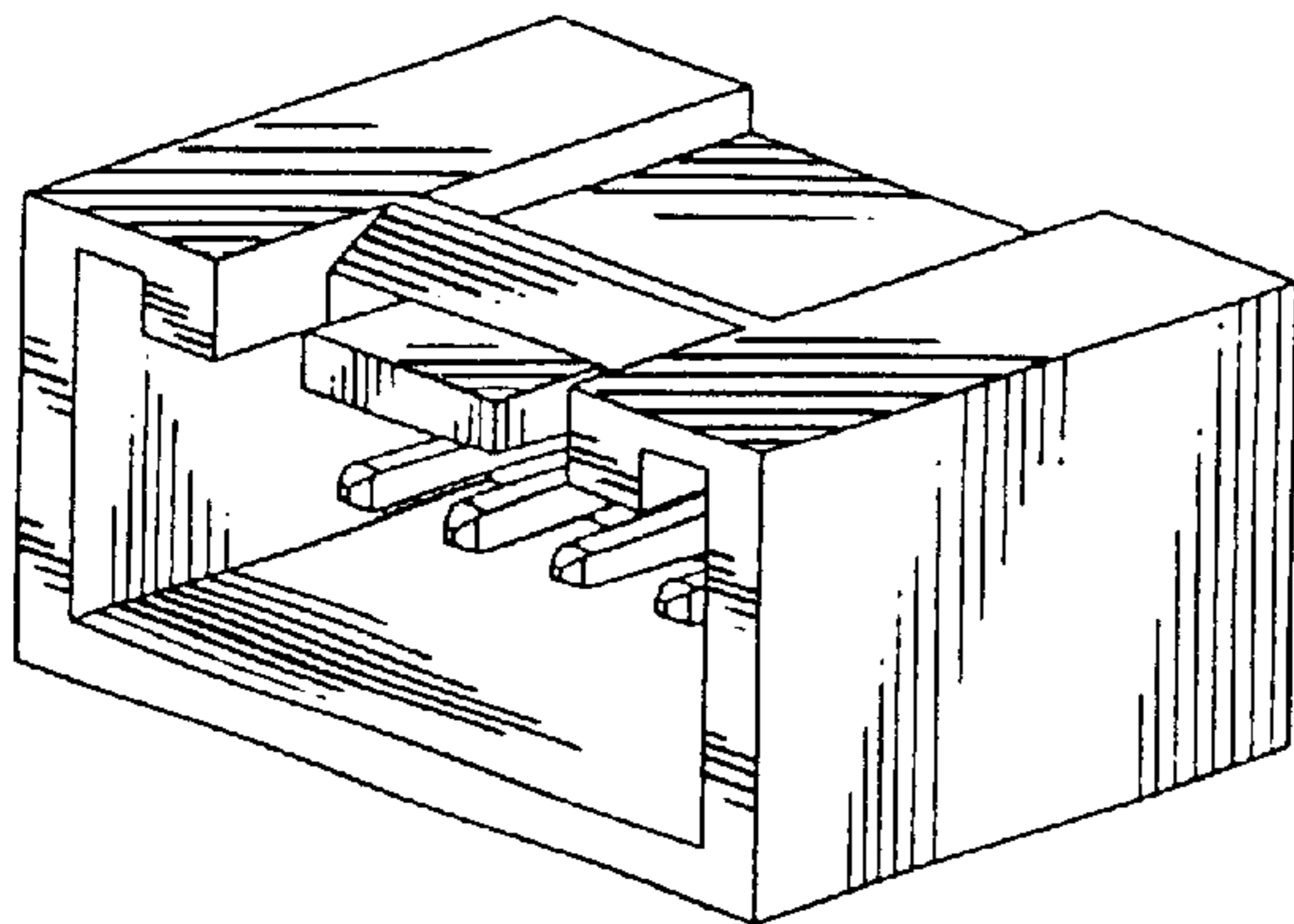


Fig. 1

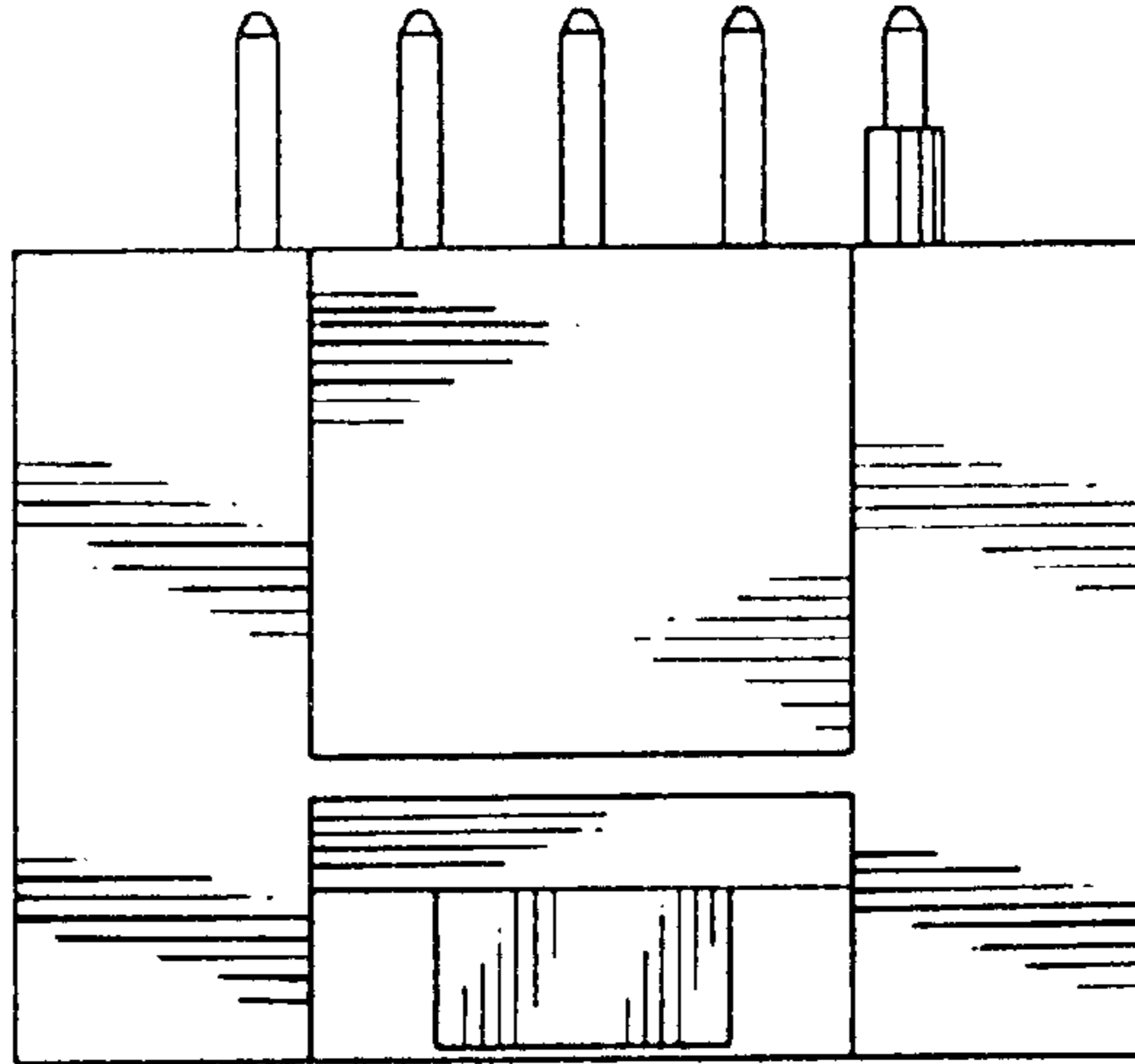


Fig. 2

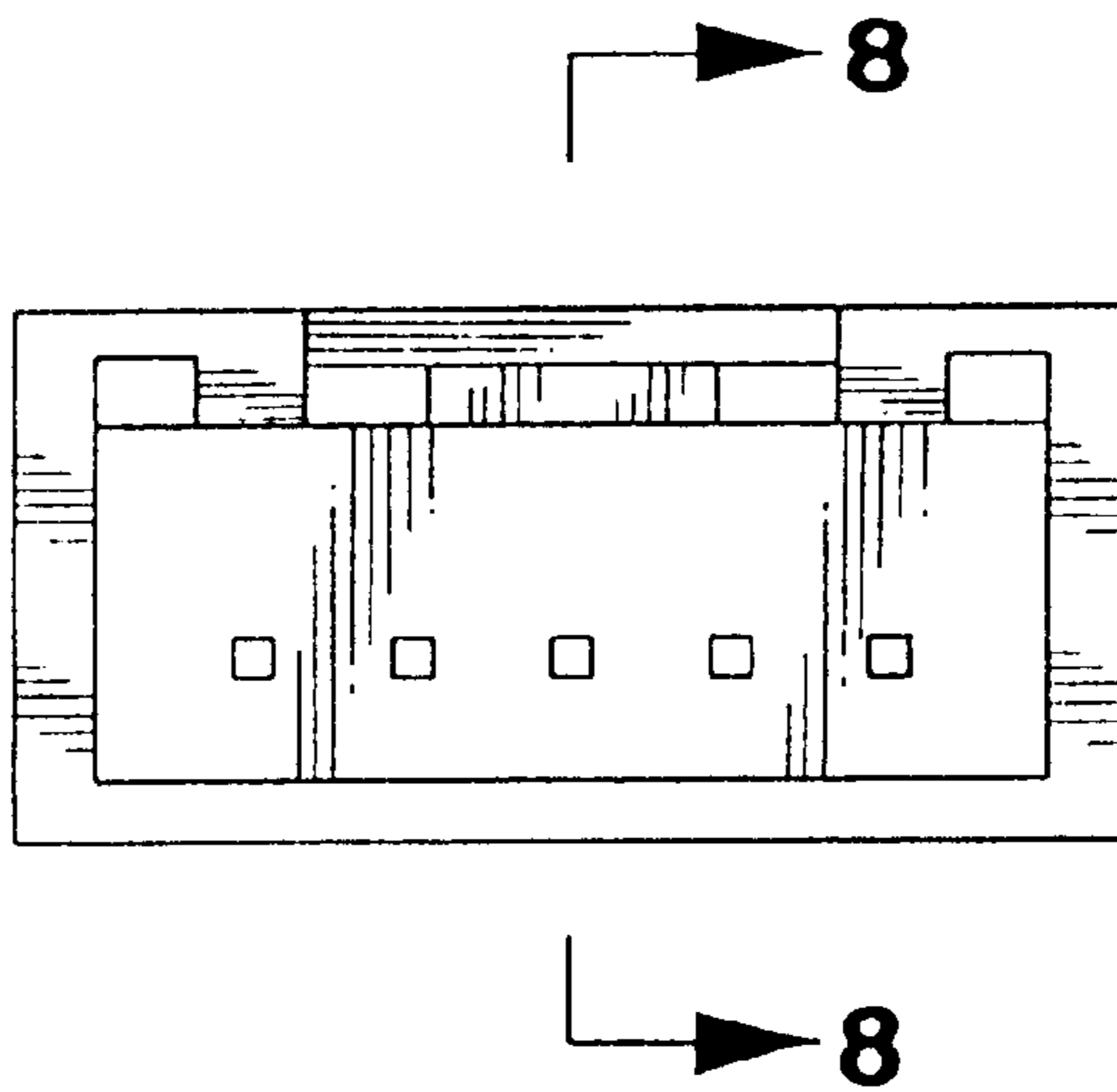


Fig. 3

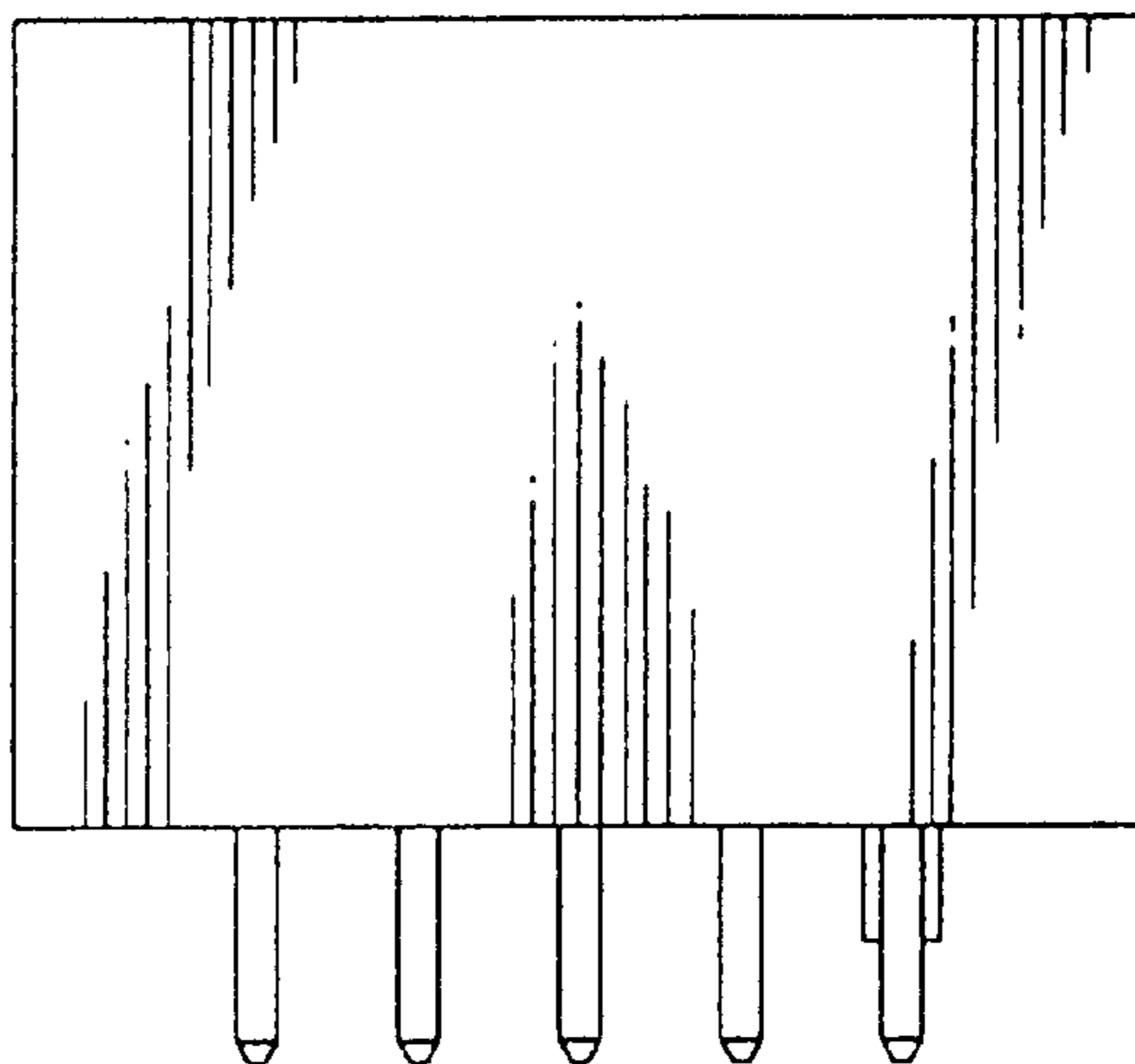


Fig. 4

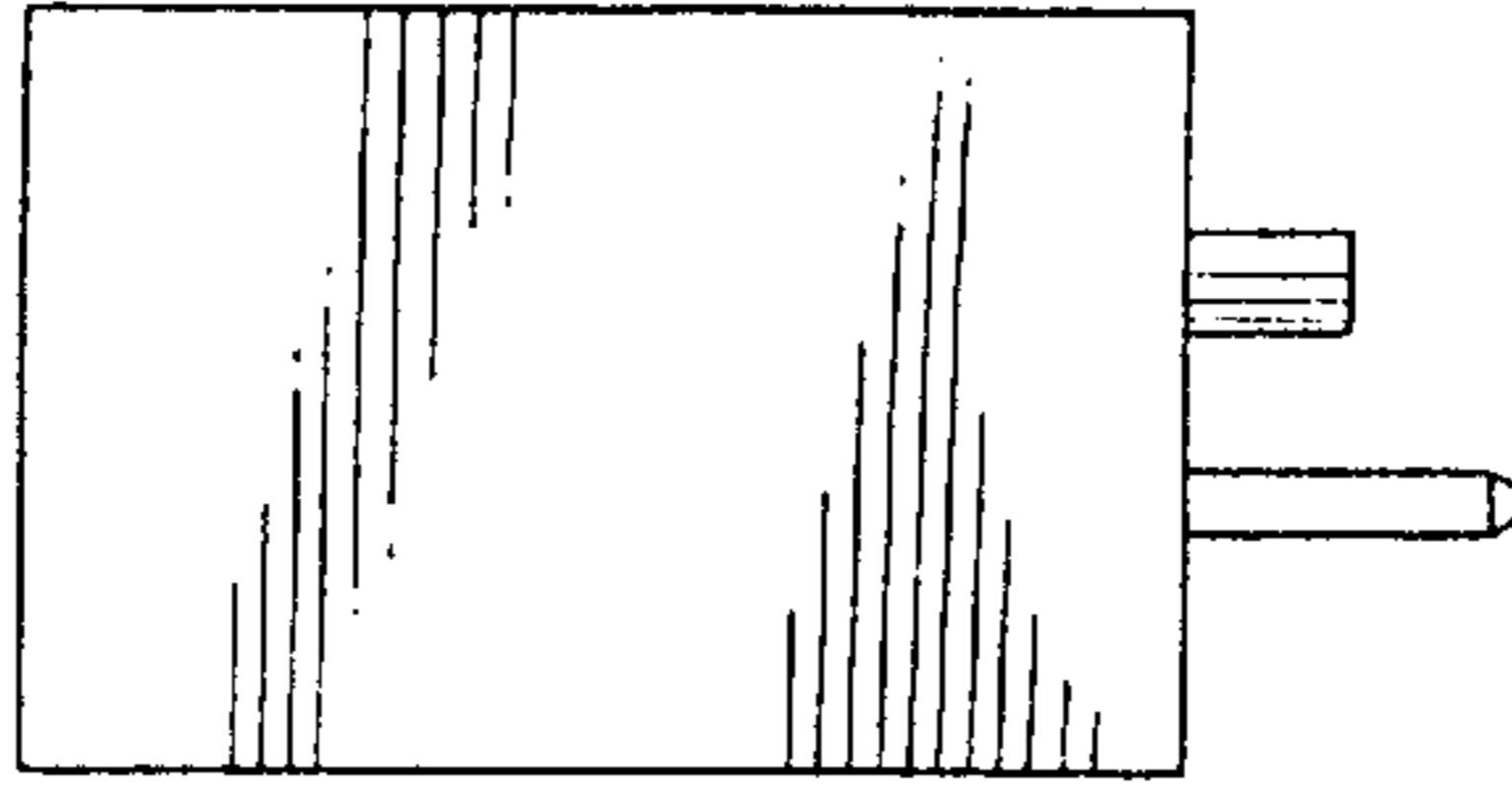


Fig. 5

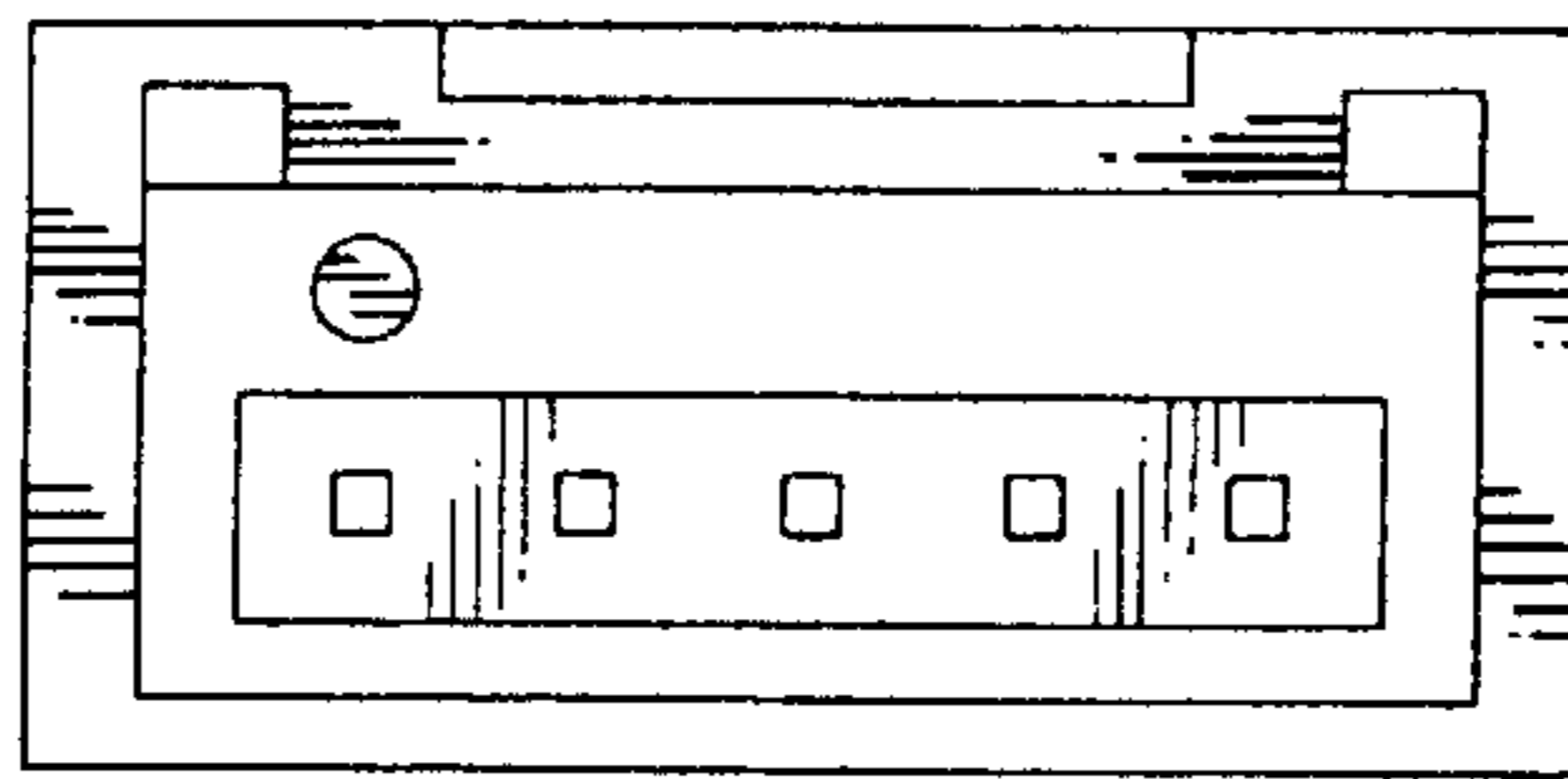


Fig. 6

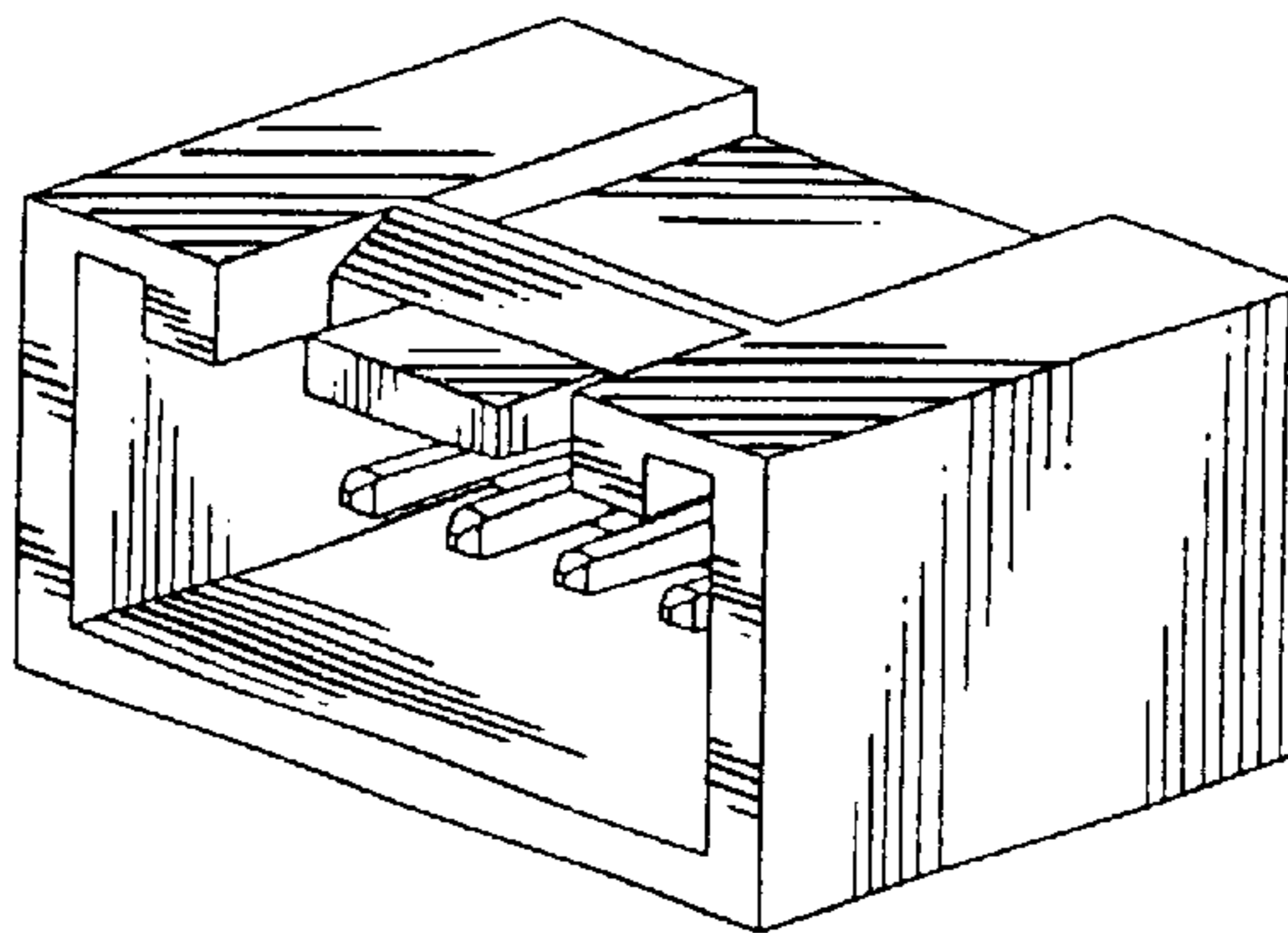


Fig. 7

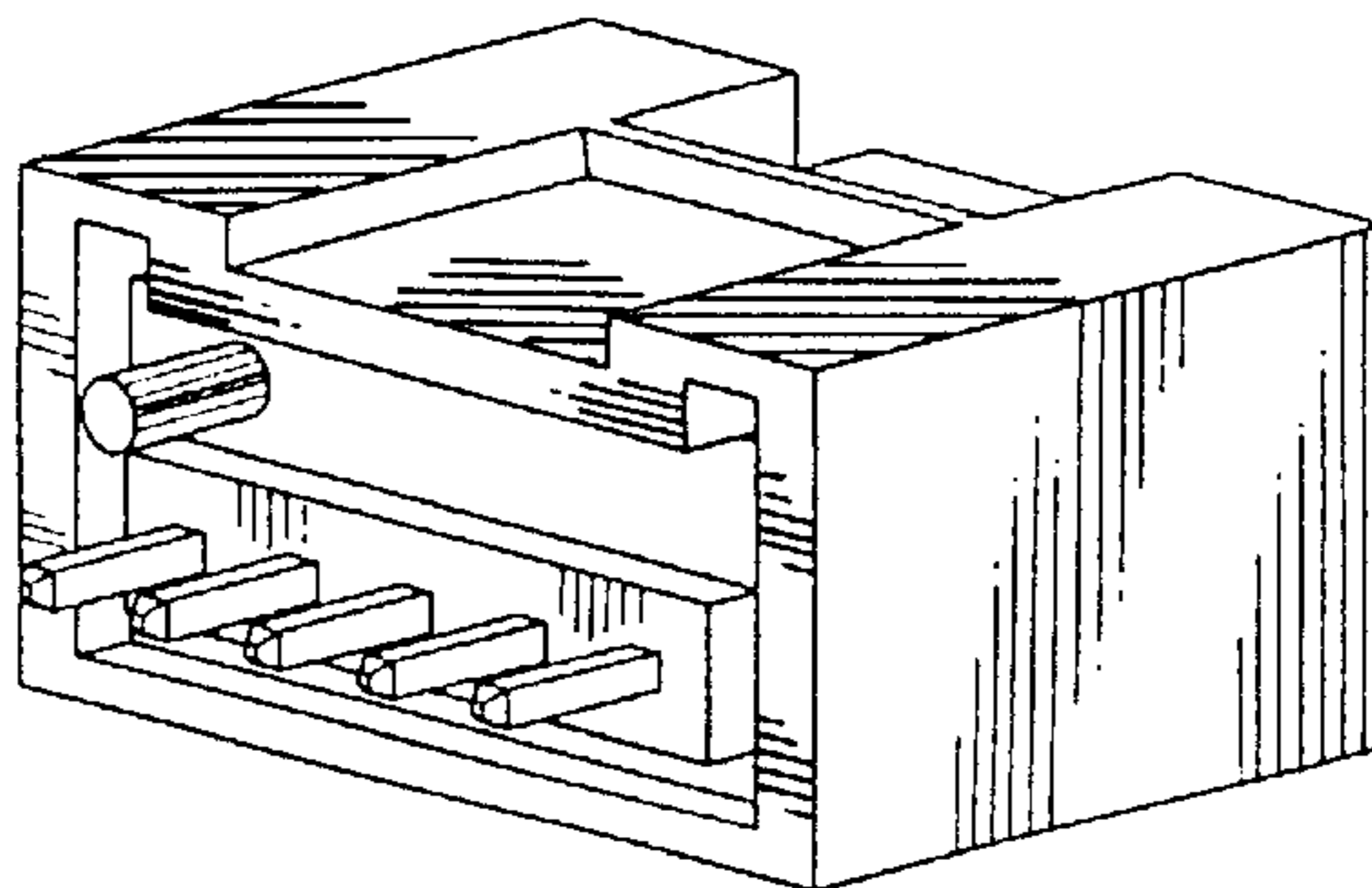


Fig. 8

