



US00D464622S

(12) **United States Design Patent**
Donnelly

(10) **Patent No.:** **US D464,622 S**

(45) **Date of Patent:** **** Oct. 22, 2002**

- (54) **BATTERY TERMINALS**
- (75) **Inventor:** **Frank Wegner Donnelly**, North Vancouver (CA)
- (73) **Assignee:** **Railpower Technologies Corp.**, North Vancouver (CA)
- (**) **Term:** **14 Years**
- (21) **Appl. No.:** **29/144,672**
- (22) **Filed:** **Jul. 10, 2001**
- (51) **LOC (7) Cl.** **13-02**
- (52) **U.S. Cl.** **D13/120**
- (58) **Field of Search** D13/120, 104, D13/106; 429/178-181

JP	06215757	*	8/1994	H01M/2/30
JP	08045486	*	2/1996	H01M/2/06
JP	10144286	*	5/1998	H01M/2/30
JP	2000164177	*	6/2000	H01M/2/30

OTHER PUBLICATIONS

Surette Battery Company Limited brochure, "Marine Batteries, The Positive Choice for Life", undated.

* cited by examiner

Primary Examiner—Joel Sincavage

(74) *Attorney, Agent, or Firm*—Oyen Wiggs Green & Mutala

(57) **CLAIM**

The ornamental design for the battery terminals, as shown and described.

DESCRIPTION

FIG. 1 is a perspective view of the design, with the outline of the battery, which does not form part of the design, shown in phantom outline.

FIG. 2 is a top view thereof.

FIG. 3 is a right side view thereof, the left side view being a mirror image thereof.

FIG. 4 is a front view thereof; and,

FIG. 5 is a rear view thereof.

(56) **References Cited**

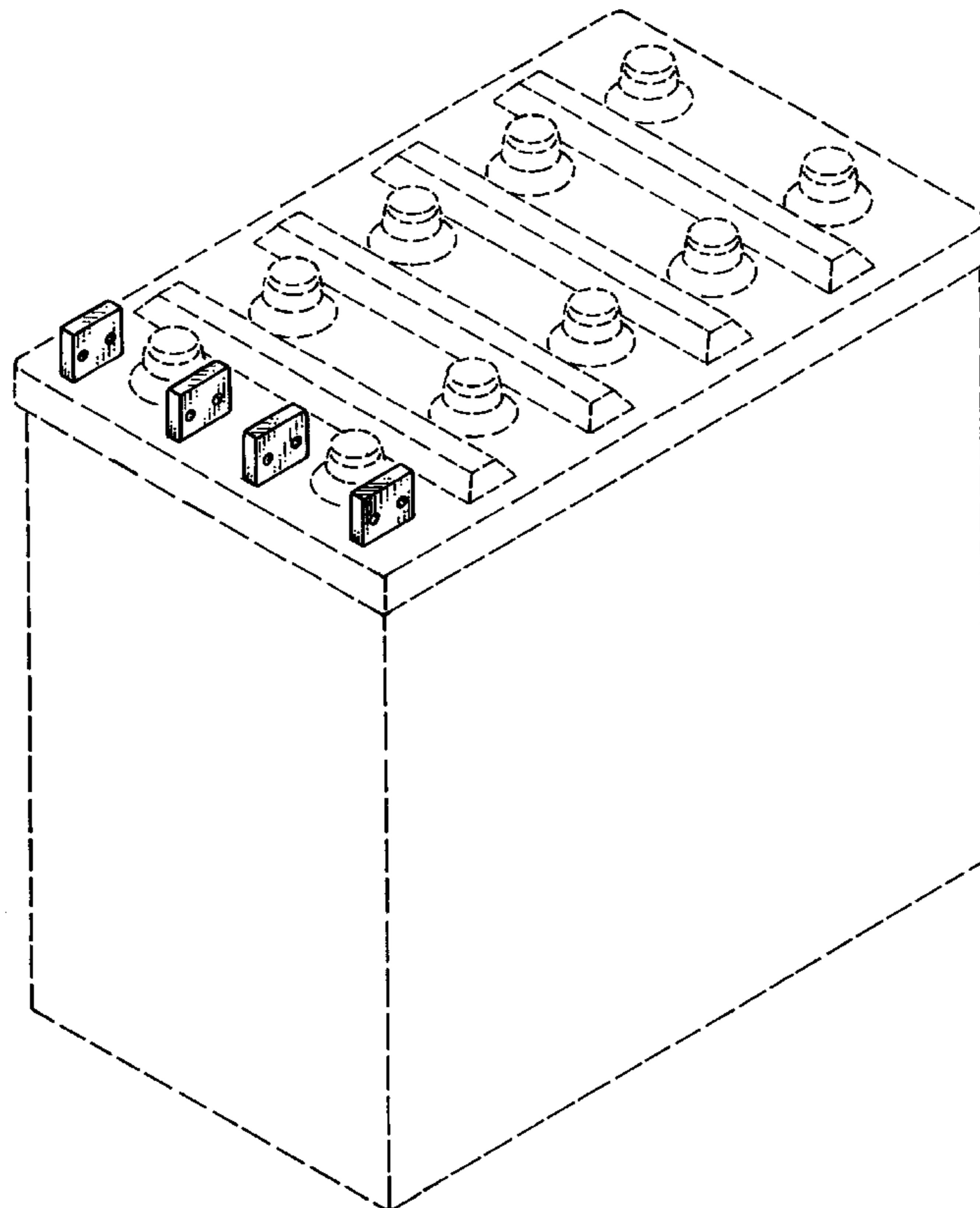
U.S. PATENT DOCUMENTS

D211,348	S	*	6/1968	Redmon	D13/104
4,883,728	A		11/1989	Witehira		
5,164,273	A		11/1992	Szasz et al.		
D418,477	S	*	1/2000	Sunagawa et al.	D13/104
6,017,653	A	*	1/2000	Petrakovich et al.	429/210
6,097,173	A	*	8/2000	Bryant, Jr.	320/107
6,121,750	A		9/2000	Hwa et al.		
6,361,897	B1	*	3/2002	Snyder	429/178

FOREIGN PATENT DOCUMENTS

JP	02262255	*	10/1990	H01M/2/28
----	----------	---	---------	-------	-----------

1 Claim, 5 Drawing Sheets



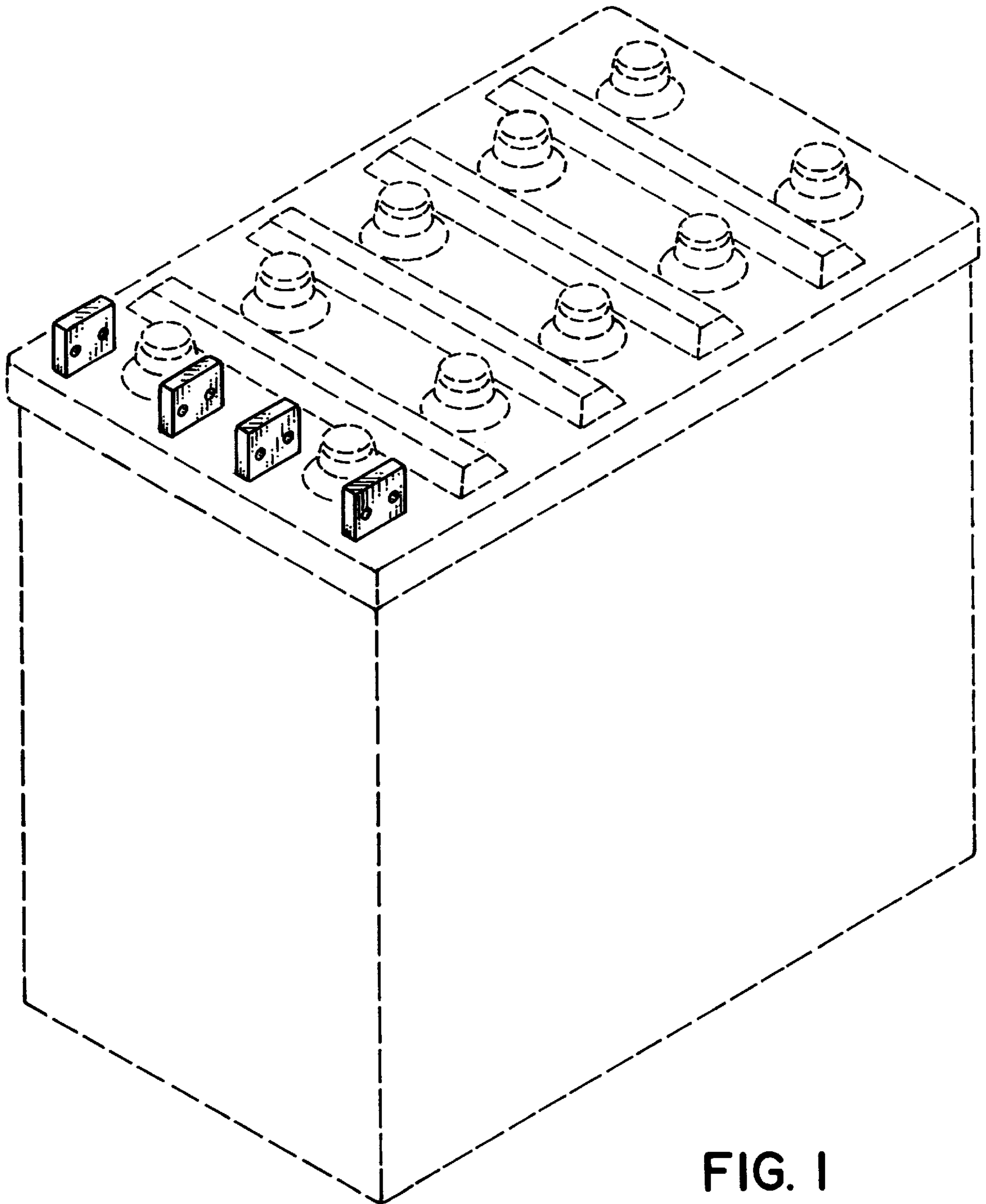


FIG. 1

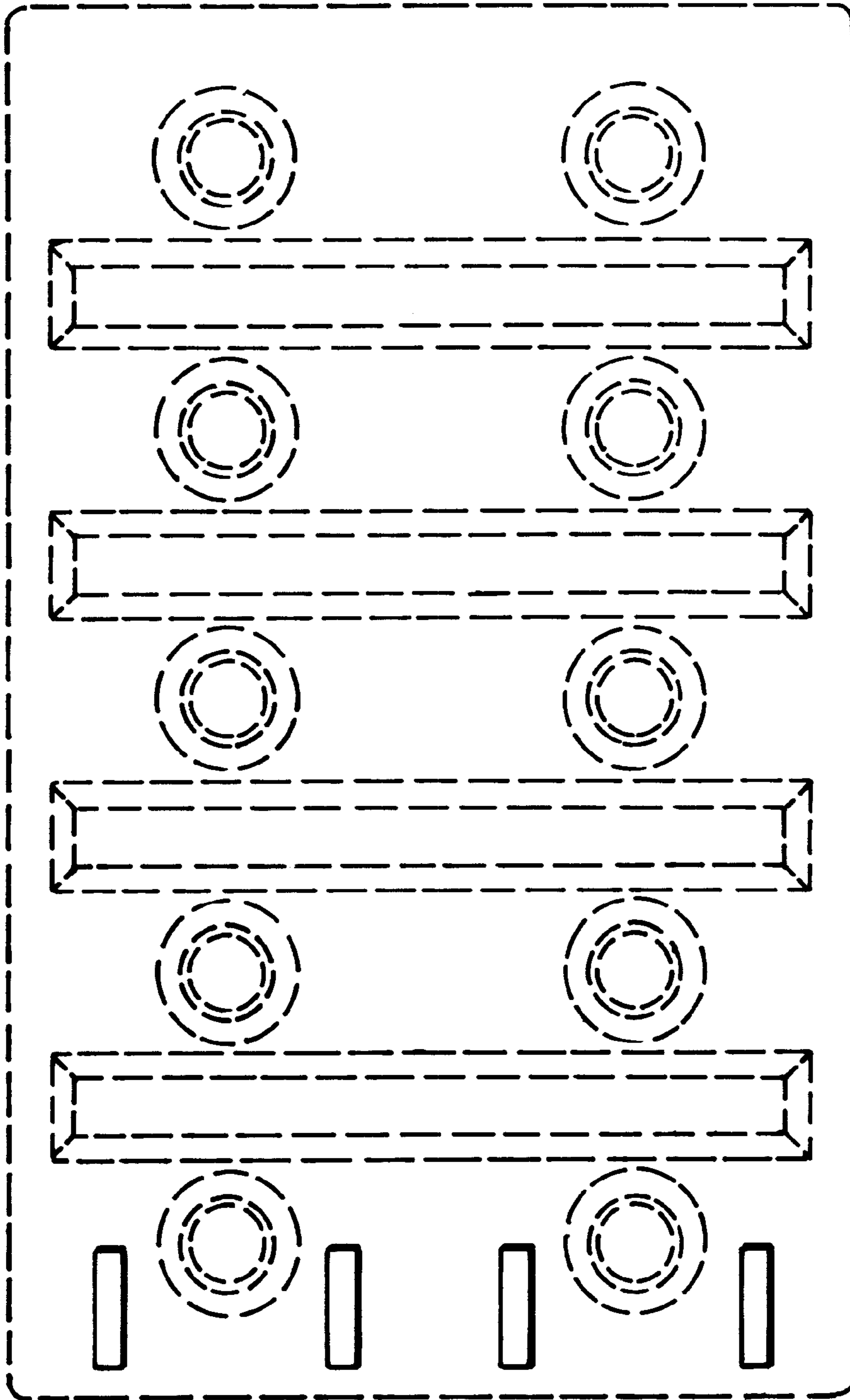


FIG. 2

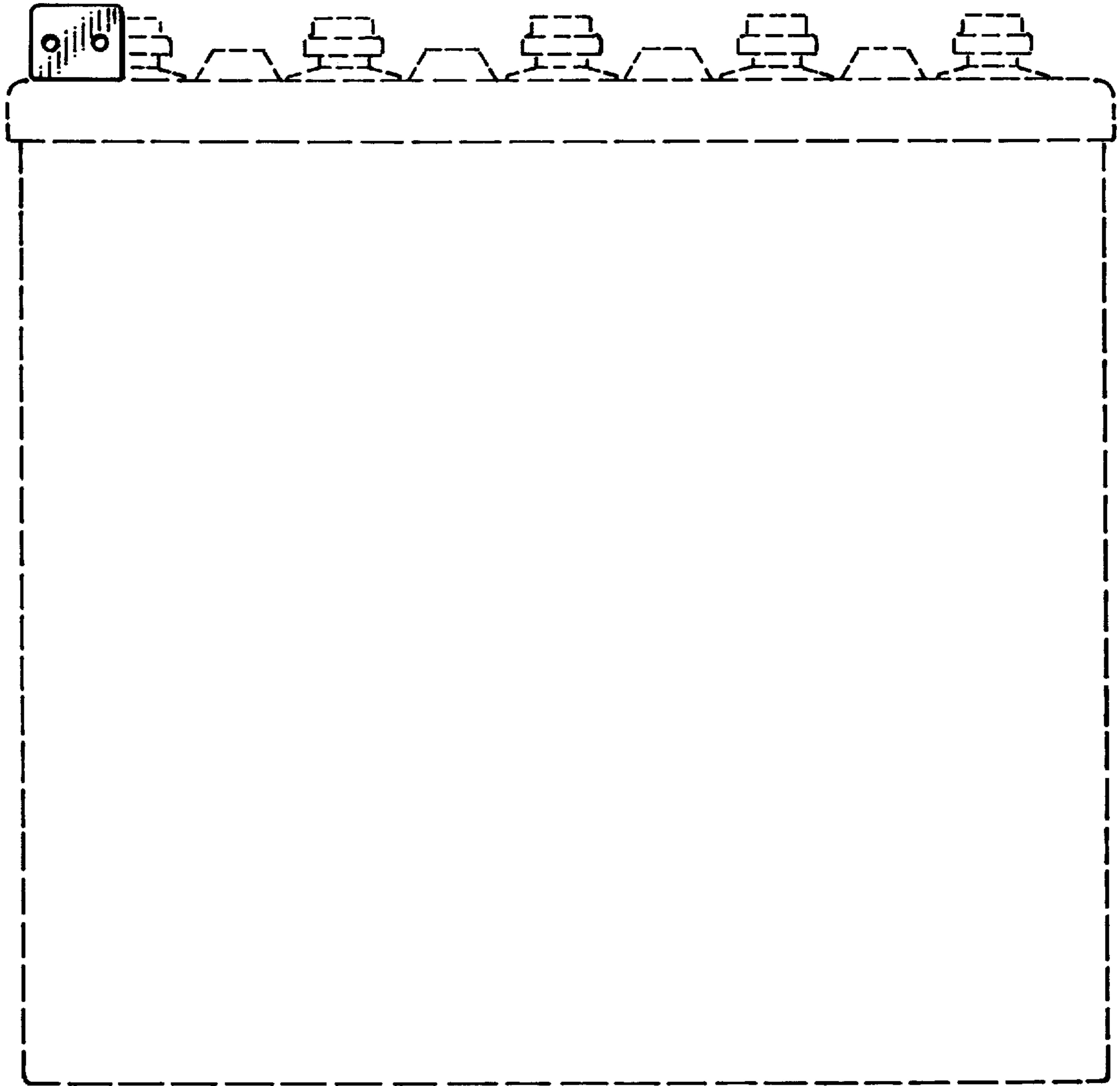


FIG. 3

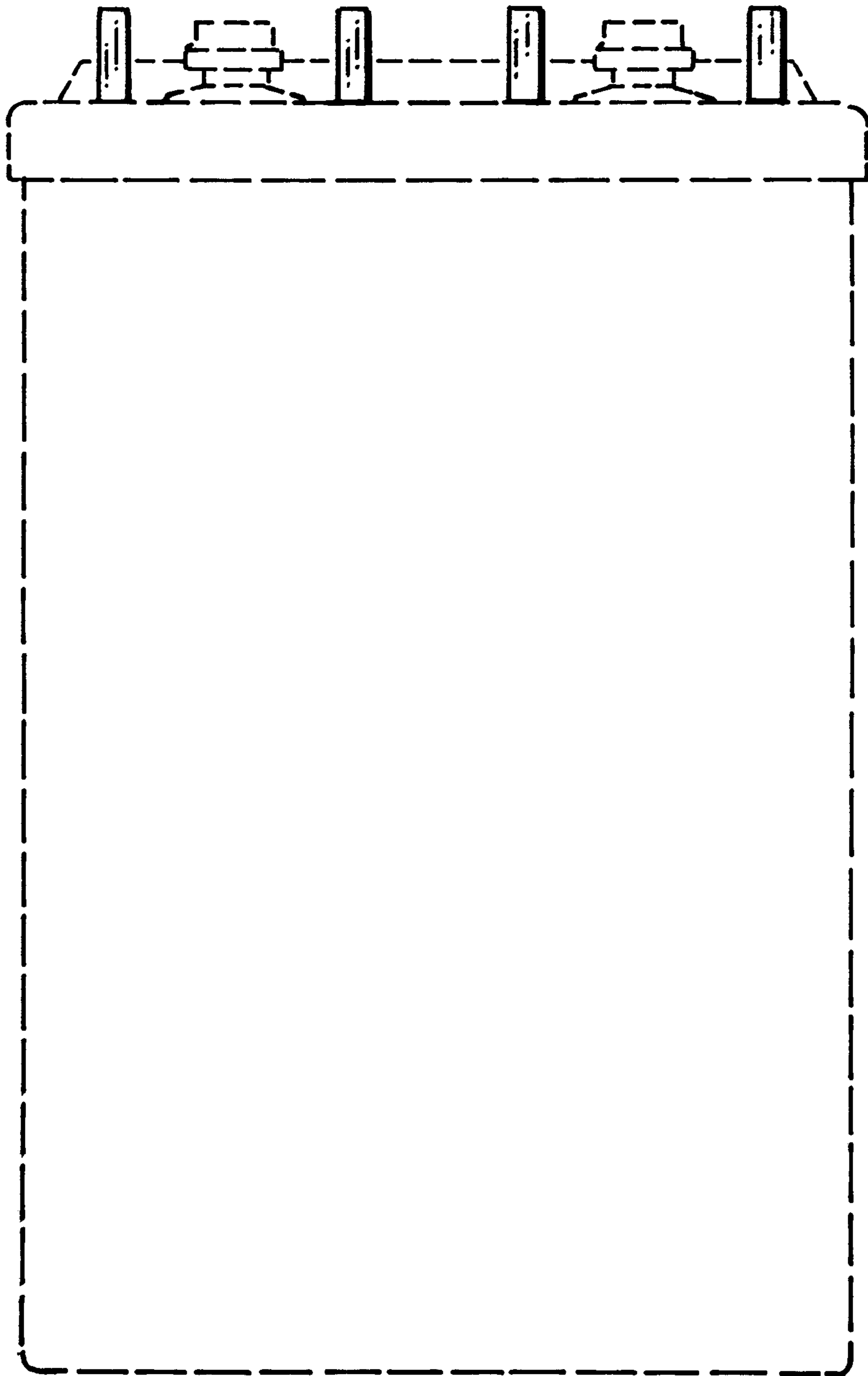


FIG. 4

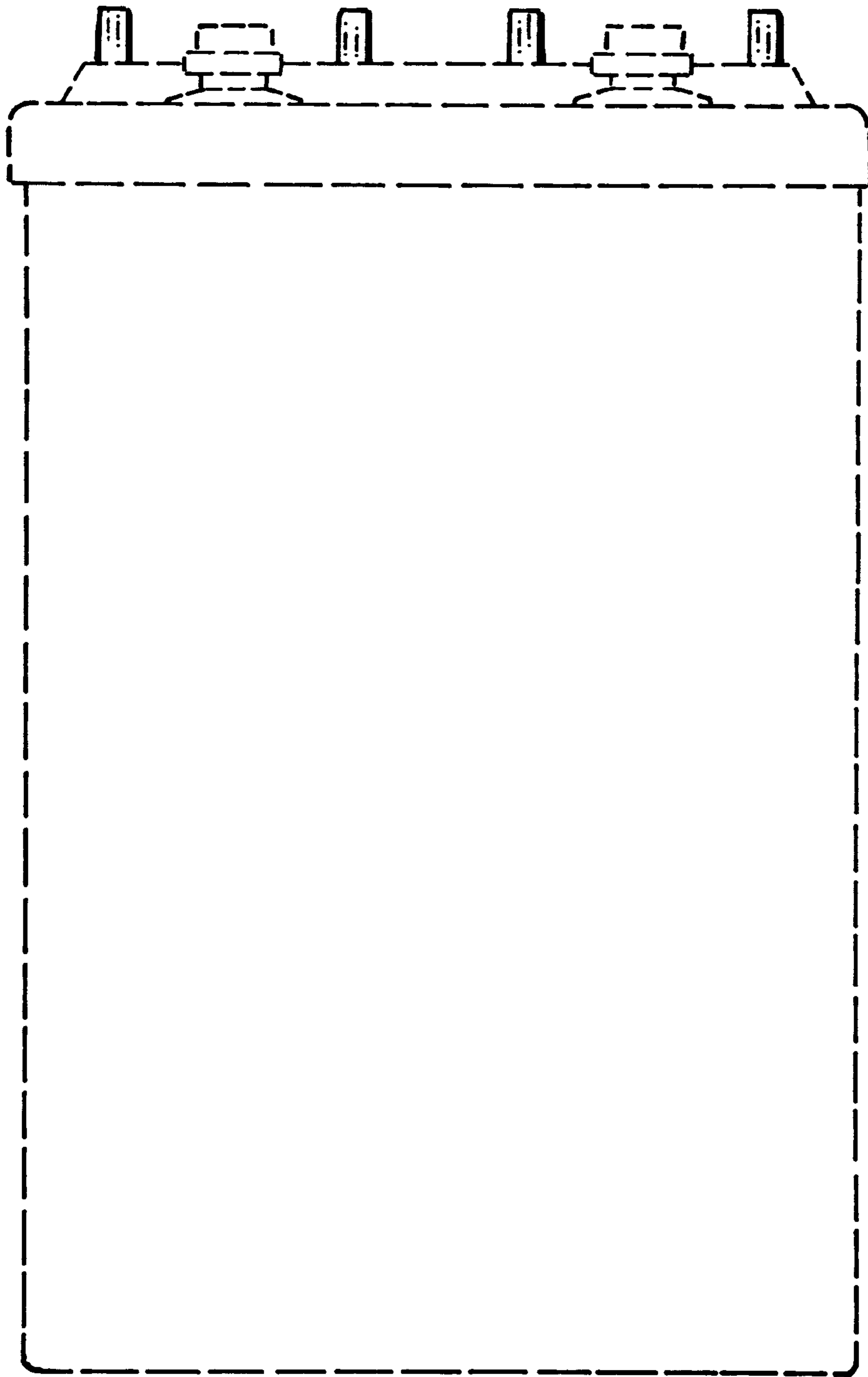


FIG. 5