



US00D464601S

(12) **United States Design Patent**
Aube et al.

(10) **Patent No.:** **US D464,601 S**

(45) **Date of Patent:** **** Oct. 22, 2002**

(54) **DECK BOAT SEATING ARRANGEMENT**

(75) Inventors: **Martin Aube**, Sherbrooke (CA); **David Kalhok**, Marion, IL (US); **Alain Rheault**, Longueuil (CA)

(73) Assignee: **Bombardier Inc.**, Valcourt (CA)

(**) Term: **14 Years**

(21) Appl. No.: **29/155,872**

(22) Filed: **Feb. 21, 2002**

Related U.S. Application Data

(62) Division of application No. 29/127,684, filed on Aug. 9, 2000.

(51) **LOC (7) Cl.** **12-06**

(52) **U.S. Cl.** **D12/300**

(58) **Field of Search** D12/300-318;
114/55.5, 55.54, 55.55, 55.56, 270, 271

(56) **References Cited**

U.S. PATENT DOCUMENTS

D301,711 S * 6/1989 Albritton D12/300
D409,555 S * 5/1999 LaPointe et al. D12/300

* cited by examiner

Primary Examiner—Lisa Lichtenstein
(74) *Attorney, Agent, or Firm*—Pillsbury Winthrop LLP

(57) **CLAIM**

The ornamental design for a deck boat seating arrangement, as shown and described.

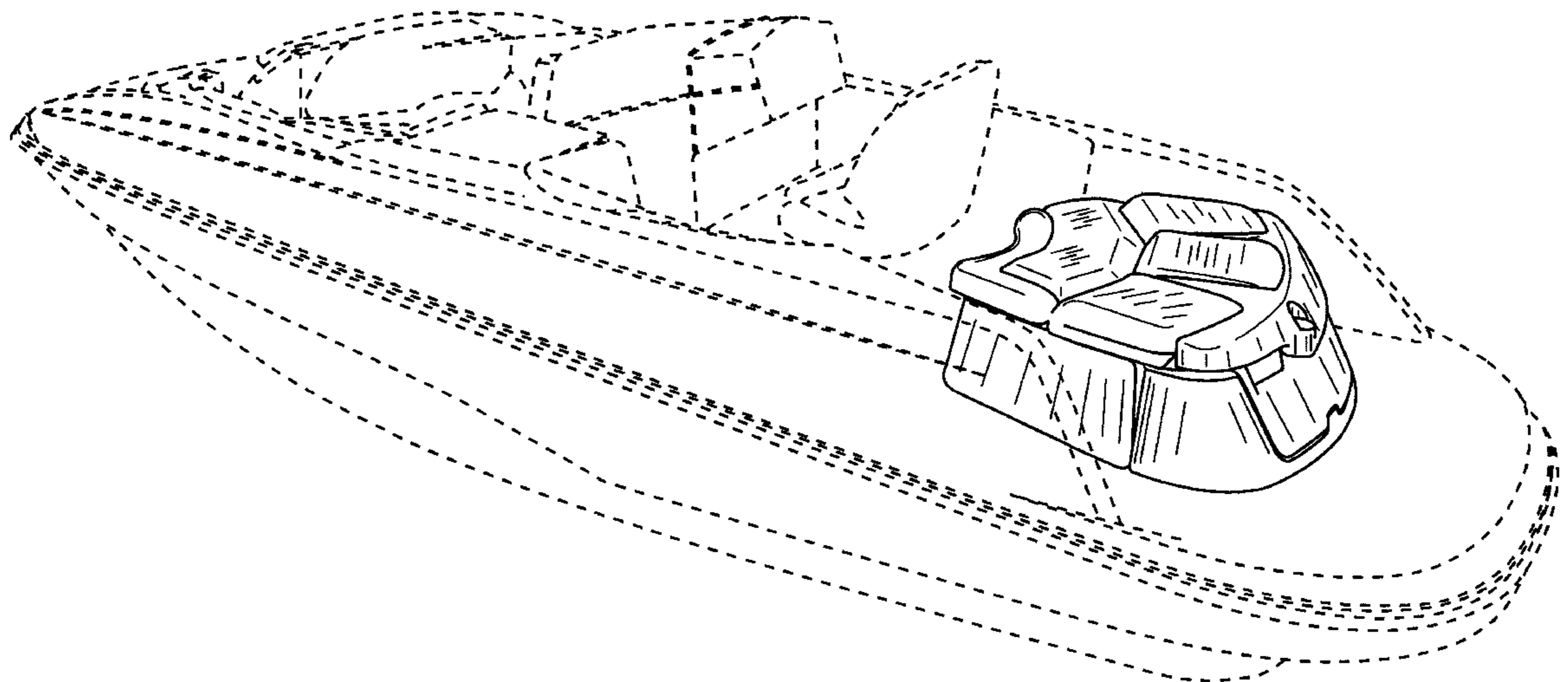
DESCRIPTION

FIG. 1 is a perspective illustration, from the rear and left side, of the deck boat seating arrangement of our design; FIG. 2 is the same perspective illustration, showing an alternative arrangement of two of the seat cushions on the deck boat seating arrangement of our design; FIG. 3 is a rear view of the deck boat seating arrangement illustrated in FIG. 1; FIG. 4 is a top view thereof; and, FIG. 5 is a left side view thereof.

In FIGS. 1-5 broken lines showing environment or structure are for illustrative purposes only and form no part of the claimed design.

The omission of a view indicates that the omitted view is plain and unornamented.

1 Claim, 5 Drawing Sheets



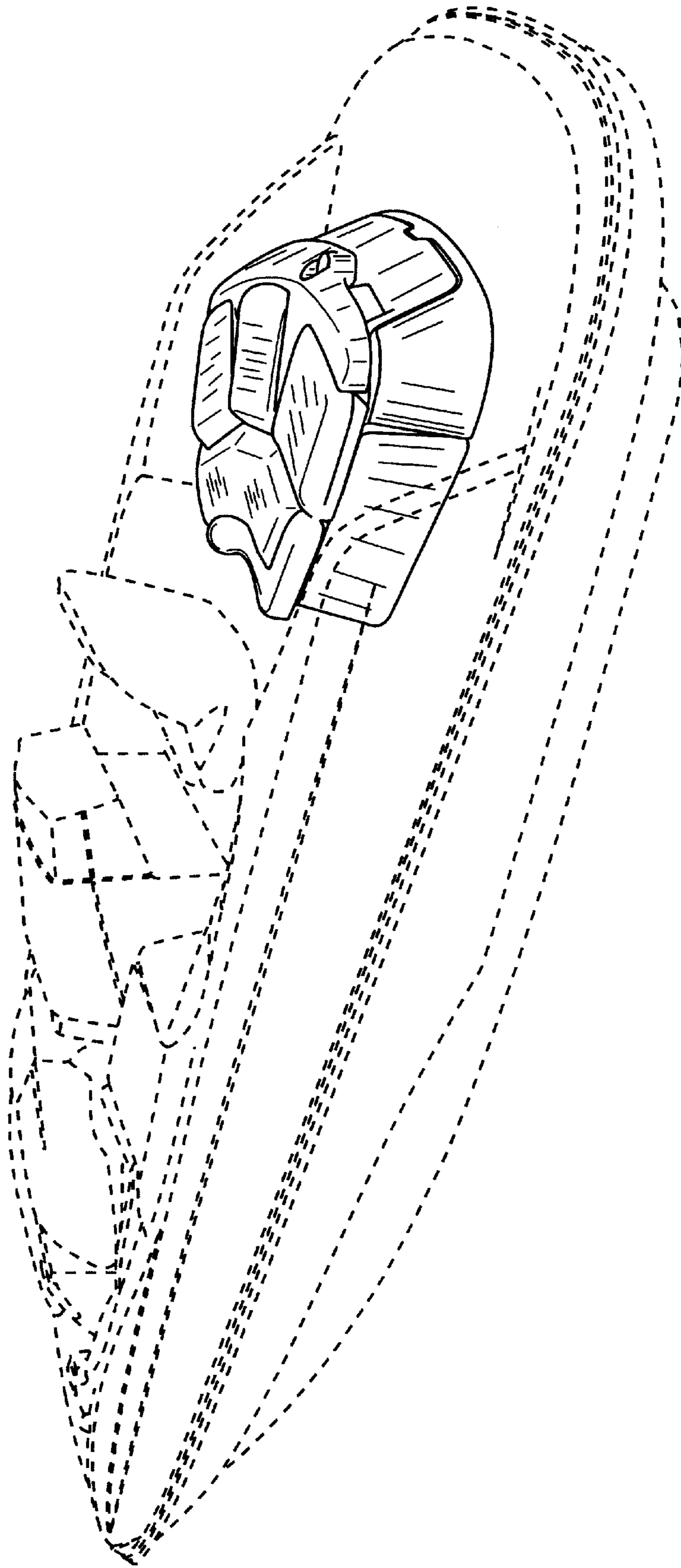


FIG. 1

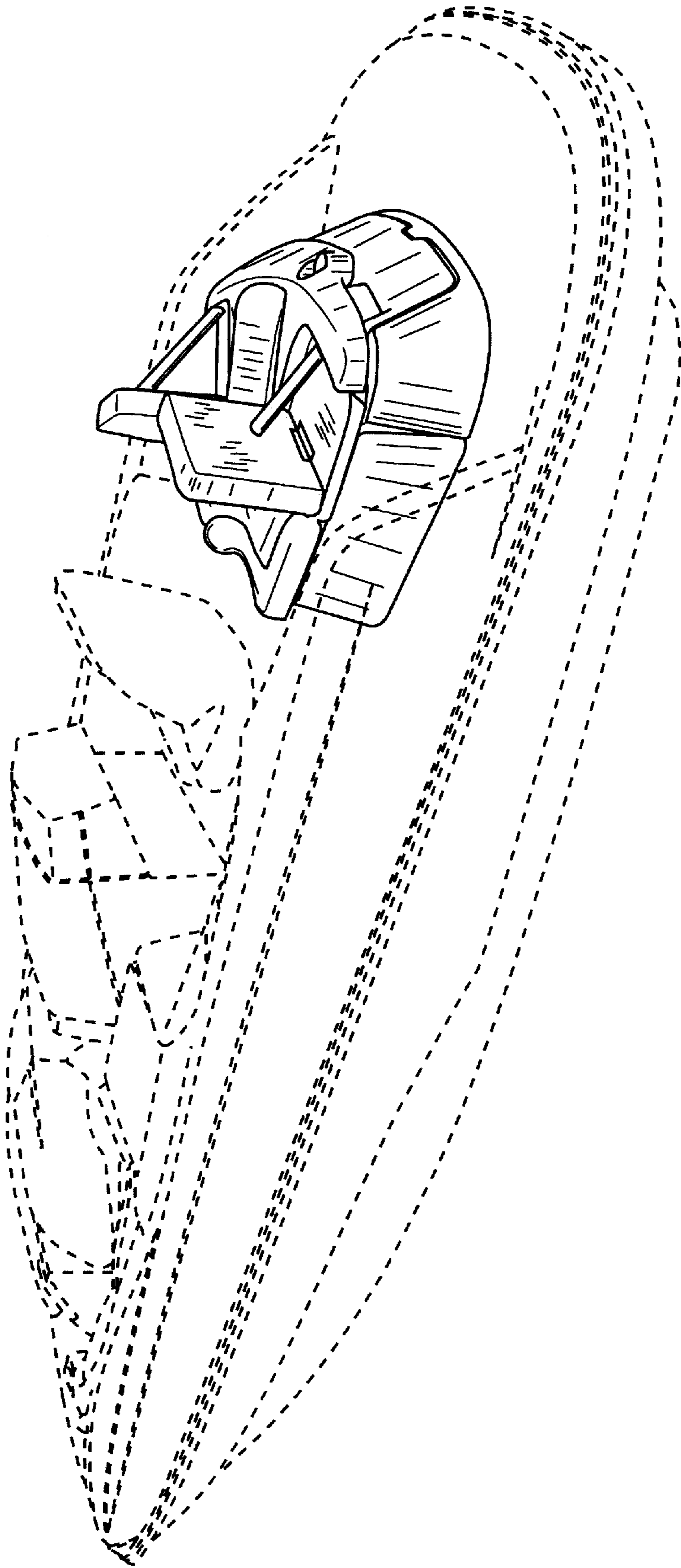


FIG. 2

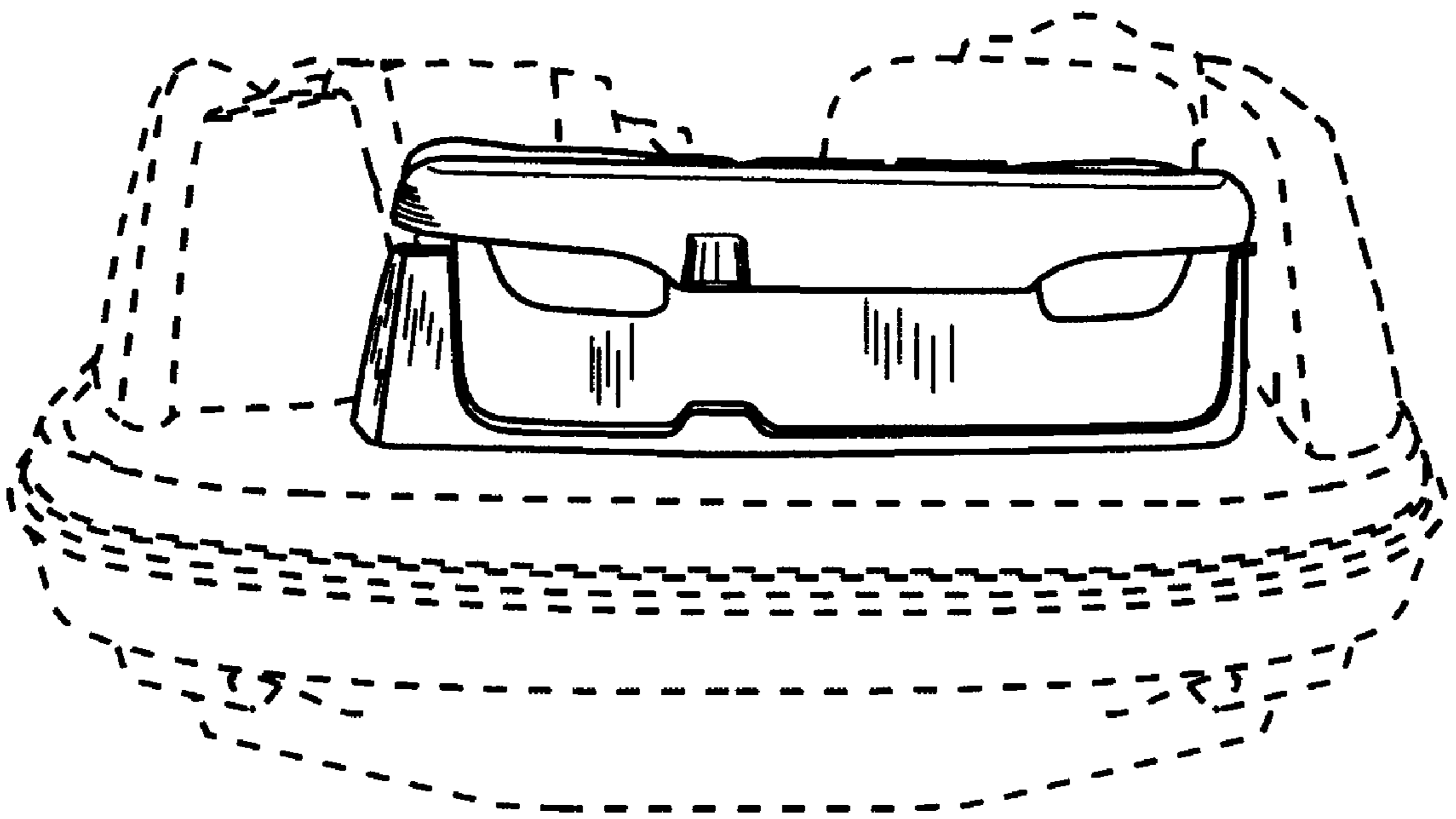


FIG. 3

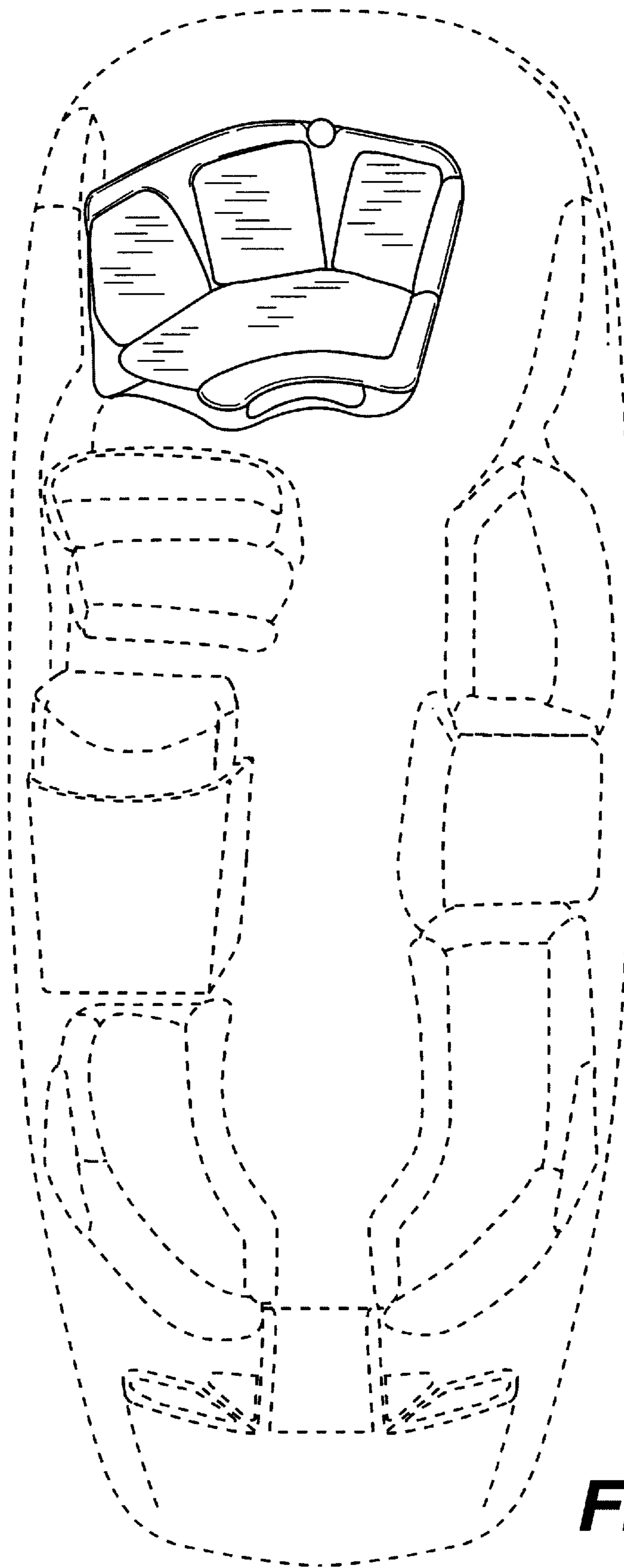


FIG. 4

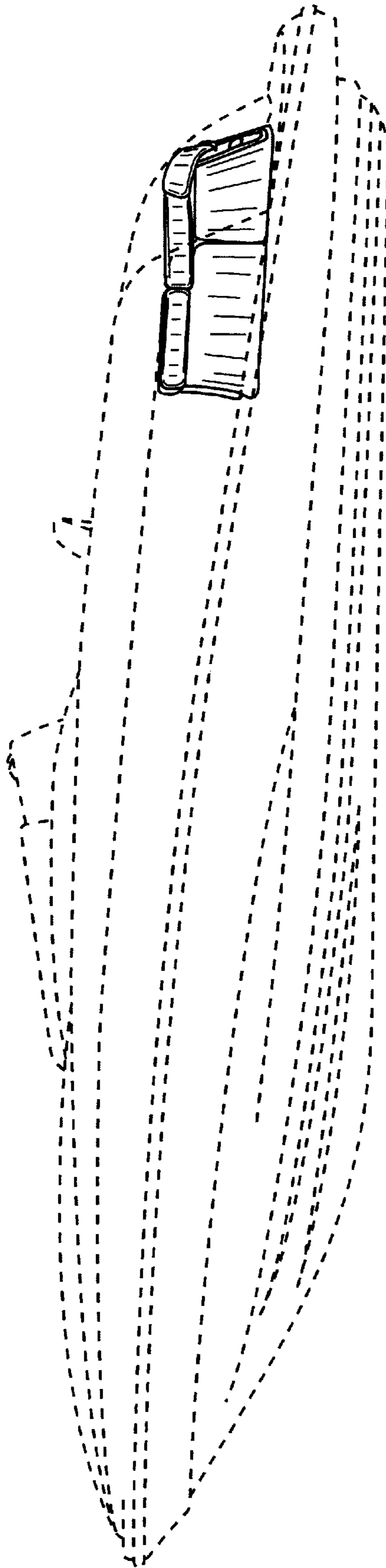


FIG. 5