



US00D464582S

(12) **United States Design Patent**
Pepperling et al.

(10) **Patent No.:** **US D464,582 S**

(45) **Date of Patent:** **** Oct. 22, 2002**

(54) **REGULATOR FLOW MEASUREMENT
MODULE HOUSING**

6,178,997 B1 1/2001 Adams et al. 137/487.5

FOREIGN PATENT DOCUMENTS

(75) Inventors: **Donald P. Pepperling**, Marshalltown,
IA (US); **Jon B. Milliken**, Cypress, TX
(US); **Richard J. Vanderah**,
Marshalltown, IA (US); **James C.**
Hawkins, Allen, TX (US)

EP 0 660 017 A1 6/1995 F16K/37/00
EP 0 708 389 A1 4/1996 G05B/9/02

* cited by examiner

Primary Examiner—Antoine Duval Davis

(74) *Attorney, Agent, or Firm*—Marshall, Gerstein & Borun

(73) Assignee: **Fisher Controls International, Inc.**, St.
Louis, MO (US)

(57) **CLAIM**

(**) Term: **14 Years**

The ornamental design for a “regulator flow measurement
module housing”, as shown and described.

(21) Appl. No.: **29/149,424**

DESCRIPTION

(22) Filed: **Oct. 10, 2001**

FIG. 1 is a perspective view taken from the front and above
showing my new design;

(51) **LOC (7) Cl.** **10-04**

(52) **U.S. Cl.** **D10/96**

FIG. 2 is a perspective view taken from the rear and below
thereof;

(58) **Field of Search** D10/96; 73/273,
73/274, 861.11–861.41, 202.5–204.27, 861.42–861.69,
215–227

FIG. 3 is a front elevational view thereof;

FIG. 4 is a rear elevational view thereof;

FIG. 5 is a plan view thereof;

FIG. 6 is a bottom view thereof;

FIG. 7 is a right side elevational view thereof; and,

FIG. 8 is a left side elevational view thereof.

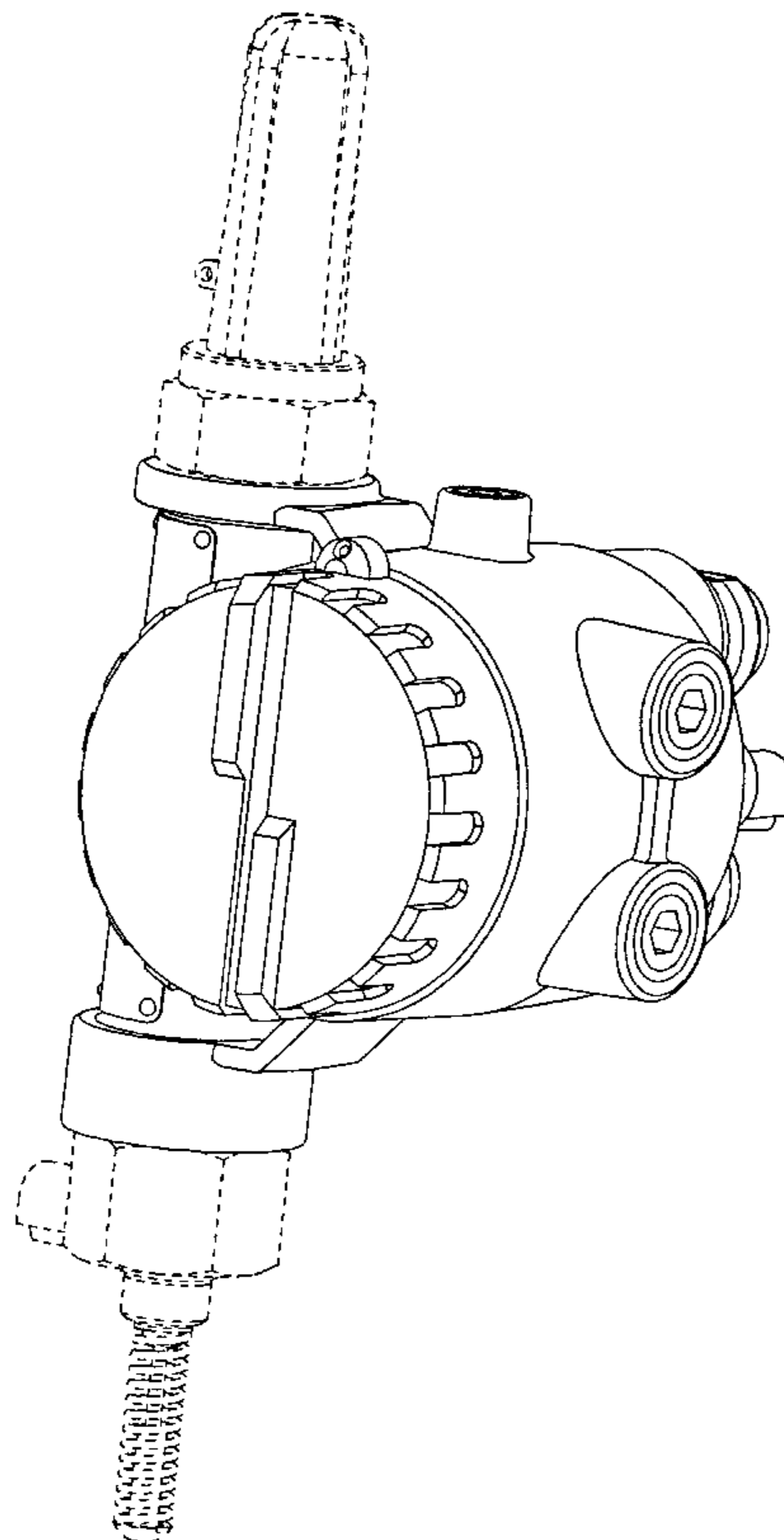
(56) **References Cited**

U.S. PATENT DOCUMENTS

3,633,416 A 1/1972 Van Dyke et al. 73/199
3,846,774 A 11/1974 Thorbard et al. 340/239 R
5,047,965 A 9/1991 Ziokovitz 364/558
5,197,328 A 3/1993 Fitzgerald 73/168
5,636,653 A 6/1997 Titus 137/14
D407,657 S * 4/1999 Fushiya et al. D10/96
6,056,008 A 5/2000 Adams et al. 137/487.5

The broken lines above the housing showing a travel indi-
cator and the broken lines below the housing showing a
regulator connecting rodare for illustrative purposes only
and form no part of the claimed design.

1 Claim, 8 Drawing Sheets



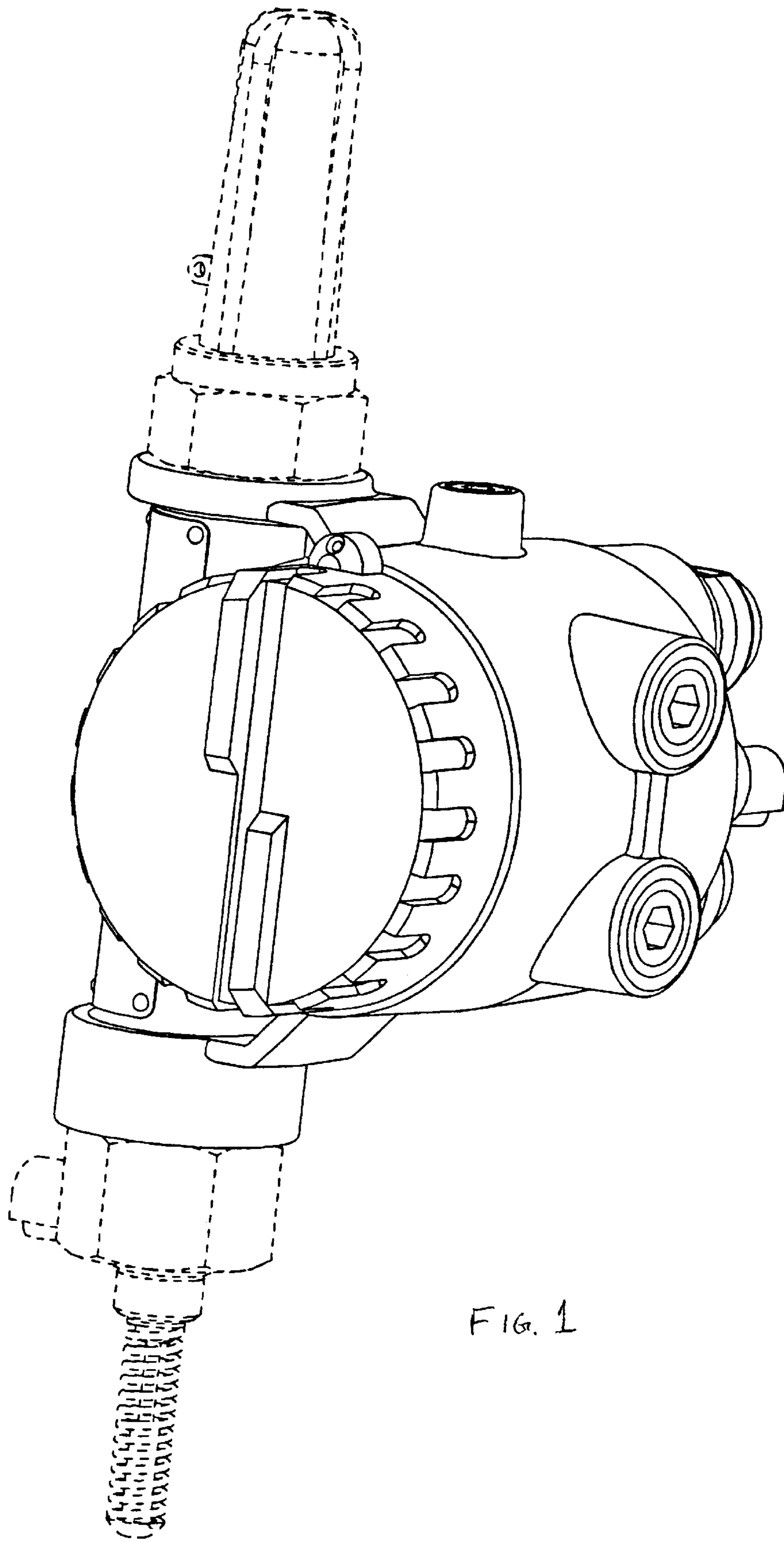
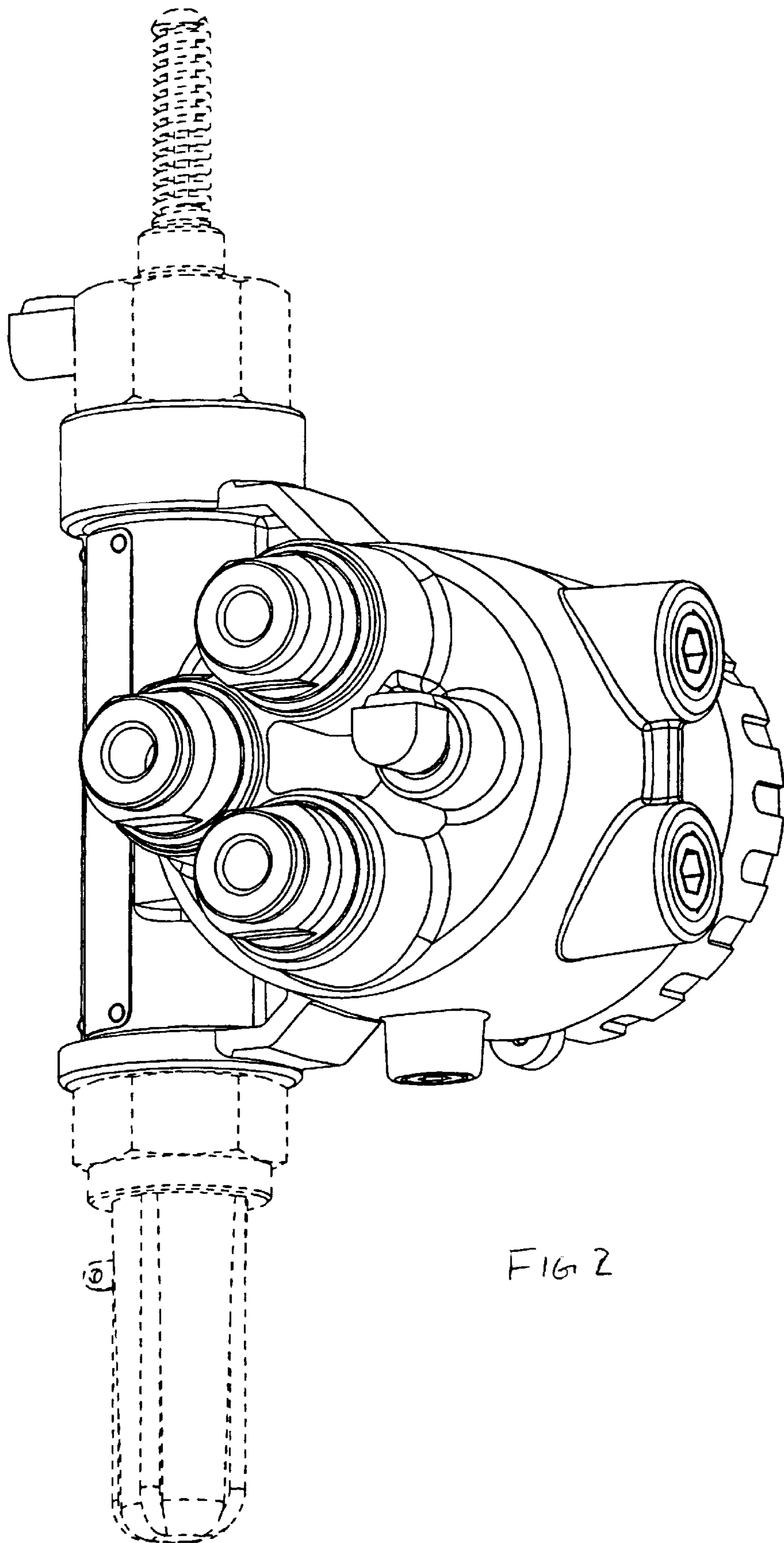


FIG. 1



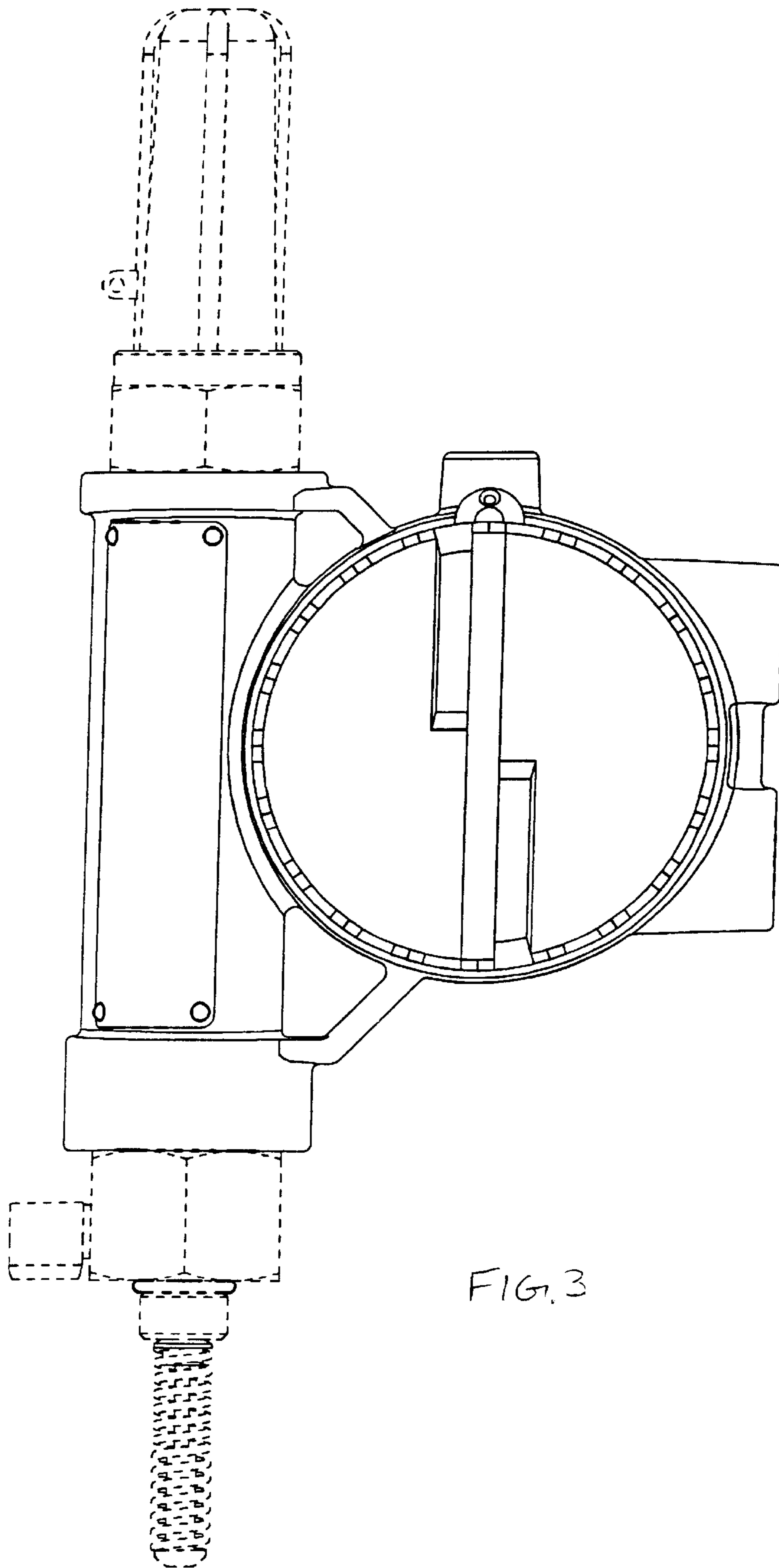


FIG. 3

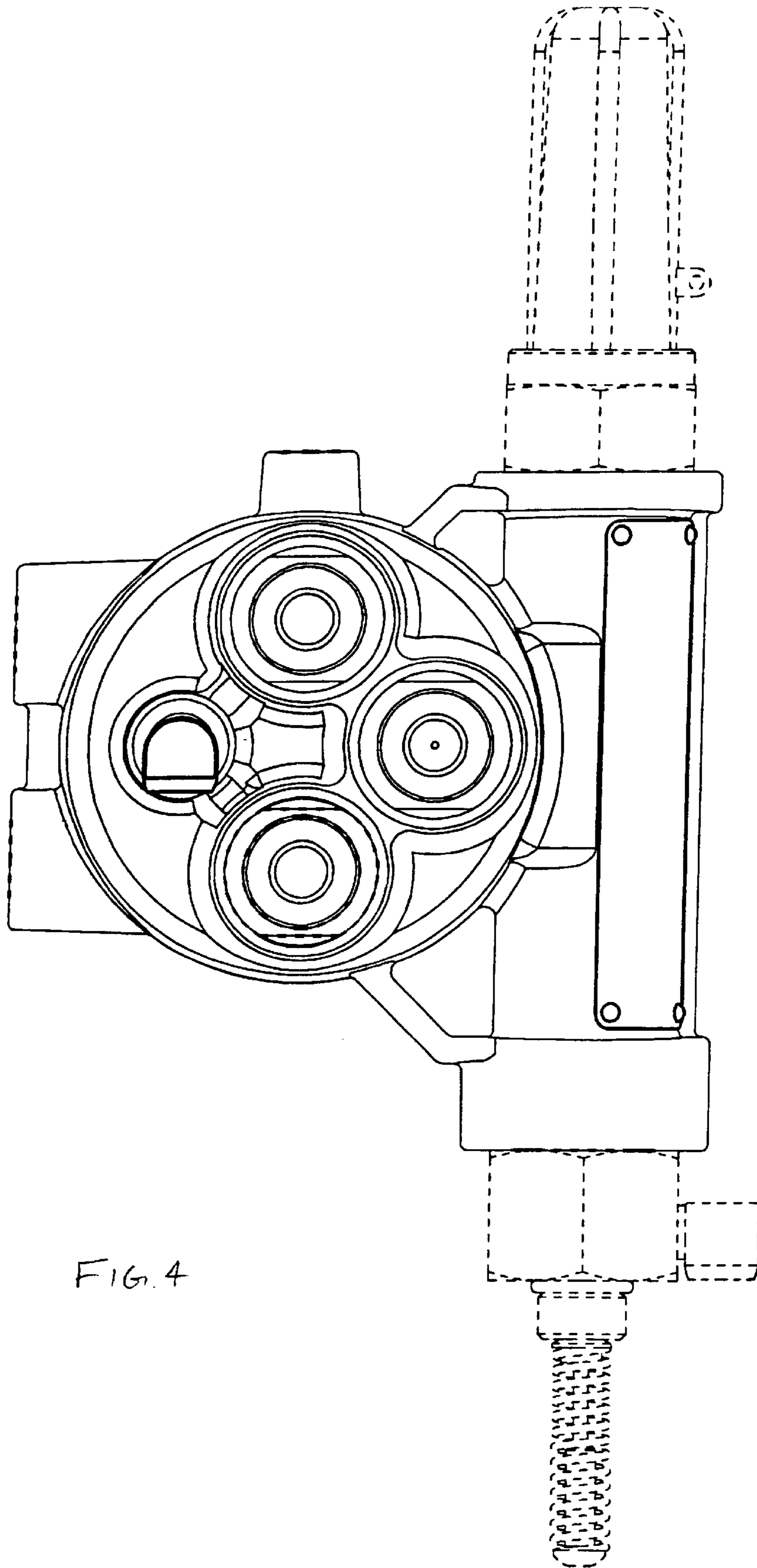


FIG. 4

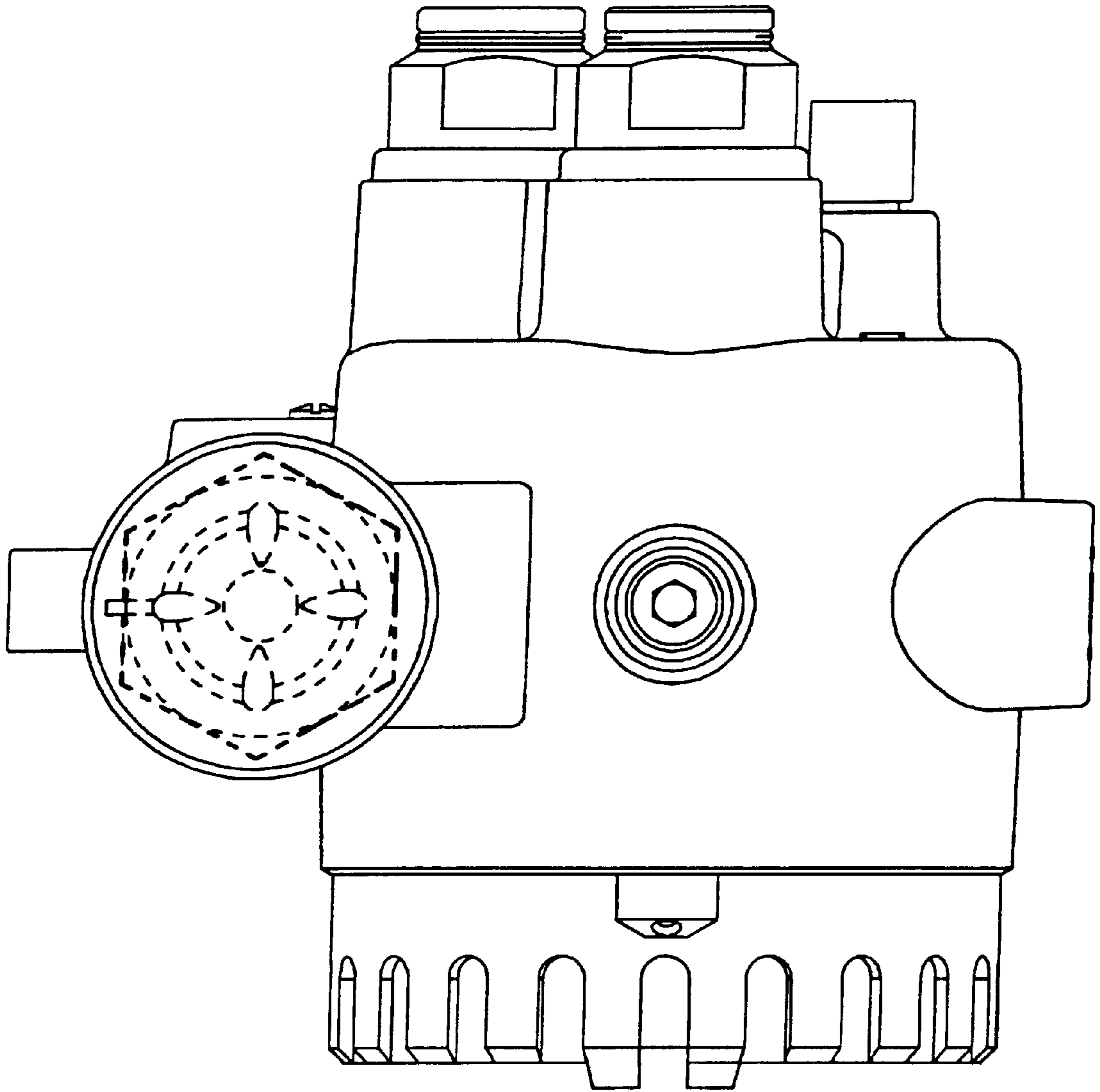


FIG. 5

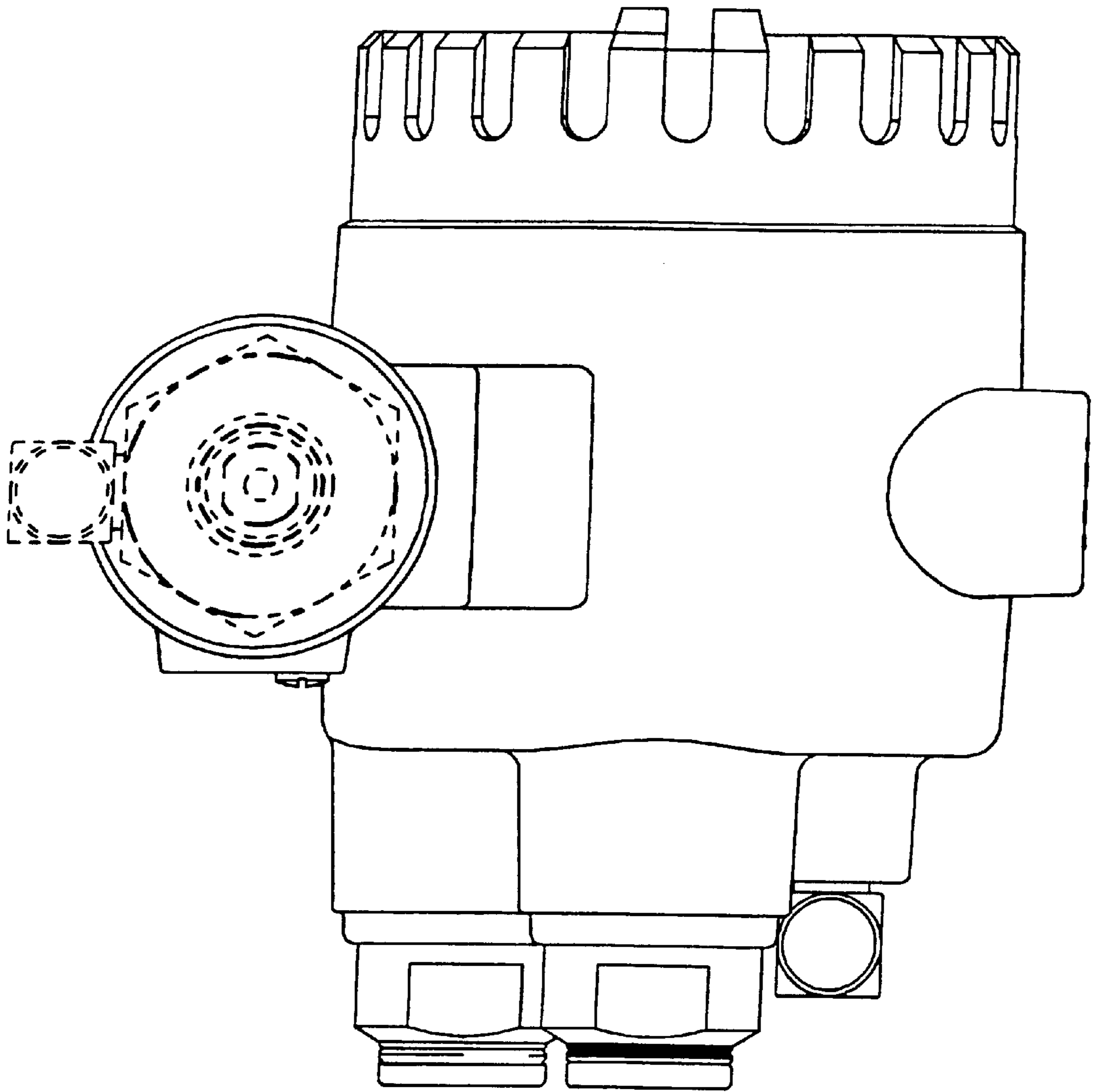


FIG. 6

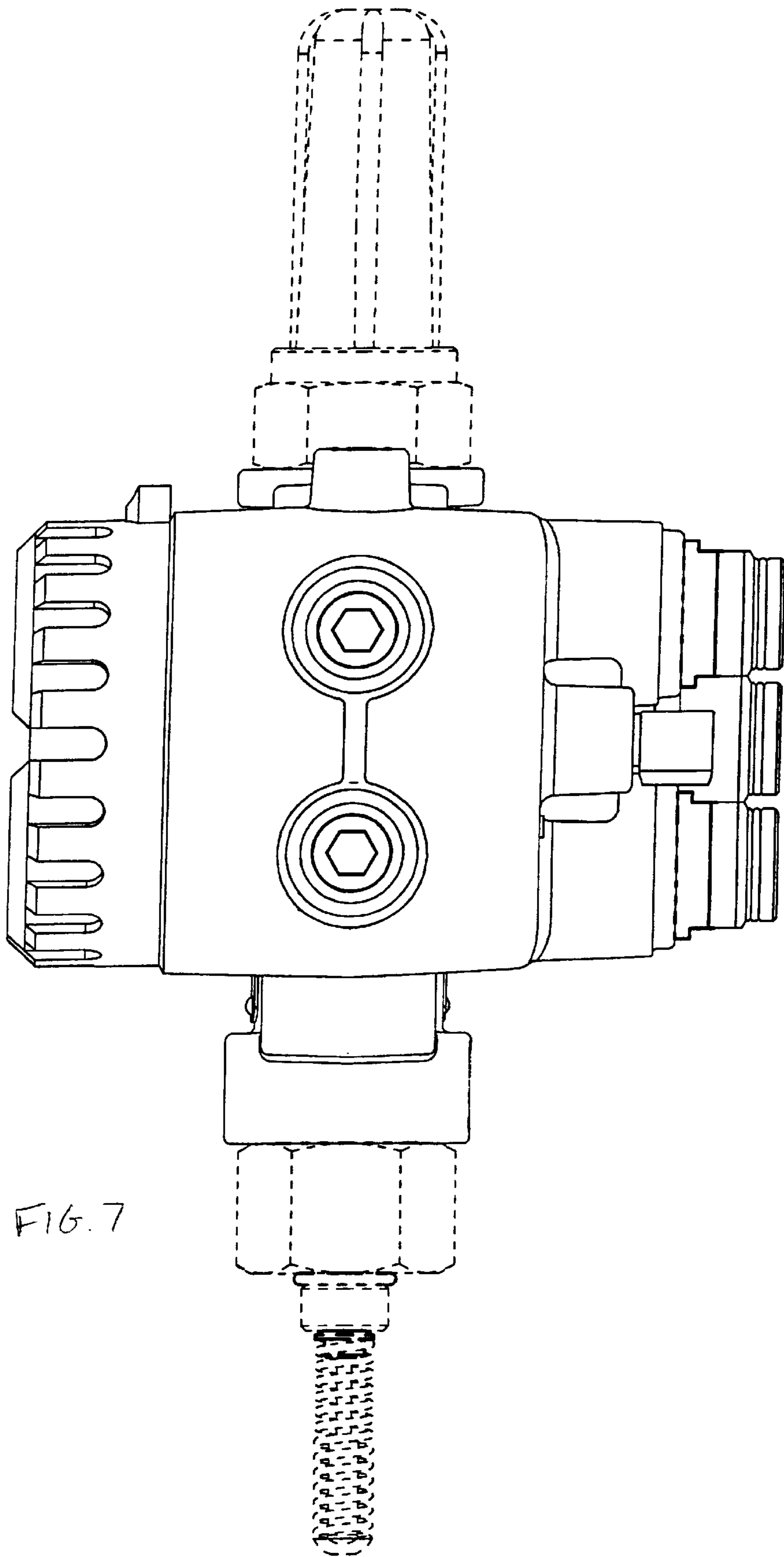


FIG. 7

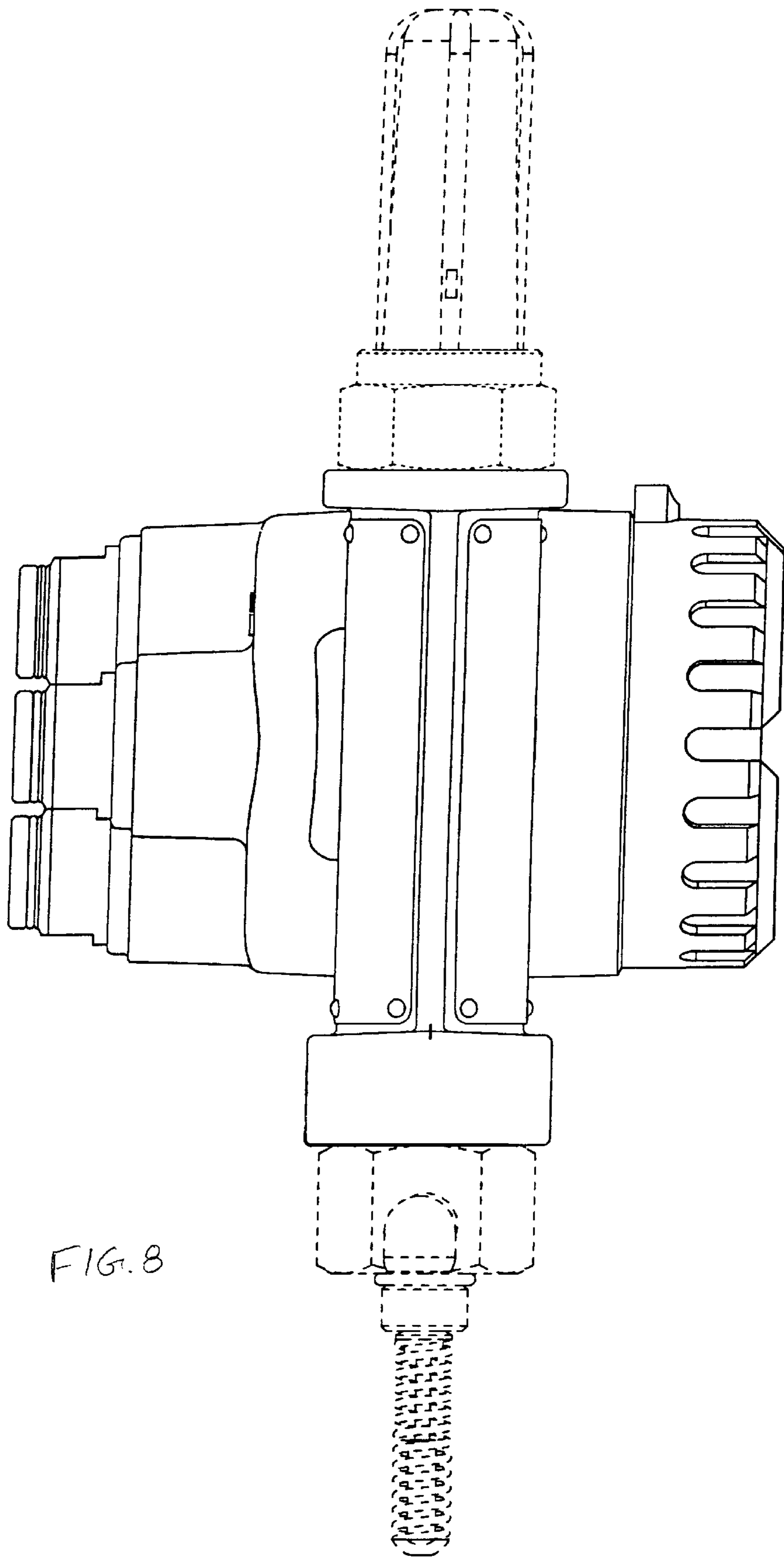


FIG. 8