



US00D464570S

(12) **United States Design Patent**
Maser et al.

(10) **Patent No.:** **US D464,570 S**

(45) **Date of Patent:** **** Oct. 22, 2002**

(54) **BOTTLE**

(75) Inventors: **Bryan A. Maser**, Hugo, MN (US);
Scott A. Johansen, Minneapolis, MN
(US); **Todd W. Heeringa**, St. Paul, MN
(US); **Tom D. Laventure**, Lakeland,
MN (US); **Oliver Murphy**, Round
Rock, TX (US); **Kaye Kit-Han Yuen**,
Alhambra, CA (US)

(73) Assignee: **Ecolab Inc.**, St. Paul, MN (US)

(**) Term: **14 Years**

(21) Appl. No.: **29/137,706**

(22) Filed: **Feb. 27, 2001**

(51) **LOC (7) Cl.** **09-01**

(52) **U.S. Cl.** **D9/516; D9/556; D9/558;**
D9/574; D9/542

(58) **Field of Search** D3/202; D9/516,
D9/522, 530, 542, 549, 556, 558, 559,
569, 572, 574, 506; 215/381-384, 396,
398

(56) **References Cited**

U.S. PATENT DOCUMENTS

D190,373 S * 5/1961 Huthsing, Jr. D9/574
D226,704 S * 4/1973 Cobb D9/542

D234,741 S * 4/1975 Emmons D9/560
D241,517 S * 9/1976 Koenigsberg D9/573
D288,293 S 2/1987 Arvans D9/370
D354,683 S * 1/1995 Rupert D9/520
D395,397 S * 6/1998 Sheffler et al. D9/542
D401,847 S * 12/1998 Bernard D9/307
D406,635 S 3/1999 Russell et al. D23/207
D407,463 S 3/1999 Outlaw et al. D23/207
D413,521 S * 9/1999 Gager et al. D9/569
D414,895 S 10/1999 Olson et al. D28/8.1
D420,772 S * 2/2000 Gabriel et al. D30/132
D430,798 S * 9/2000 Stevens et al. D9/341

* cited by examiner

Primary Examiner—Ted Shooman

Assistant Examiner—Carol Rademaker

(74) *Attorney, Agent, or Firm*—IPLM Group, P.A.

(57) **CLAIM**

The ornamental design for bottle, as shown and described.

DESCRIPTION

FIG. 1 is a perspective view of the bottle of the present invention;

FIG. 2 is a front elevational view;

FIG. 3 is rear elevational view thereof;

FIG. 4 is a right side elevational view thereof;

FIG. 5 is a left side elevational view thereof; and,

FIG. 6 is a top plan view thereof.

1 Claim, 4 Drawing Sheets

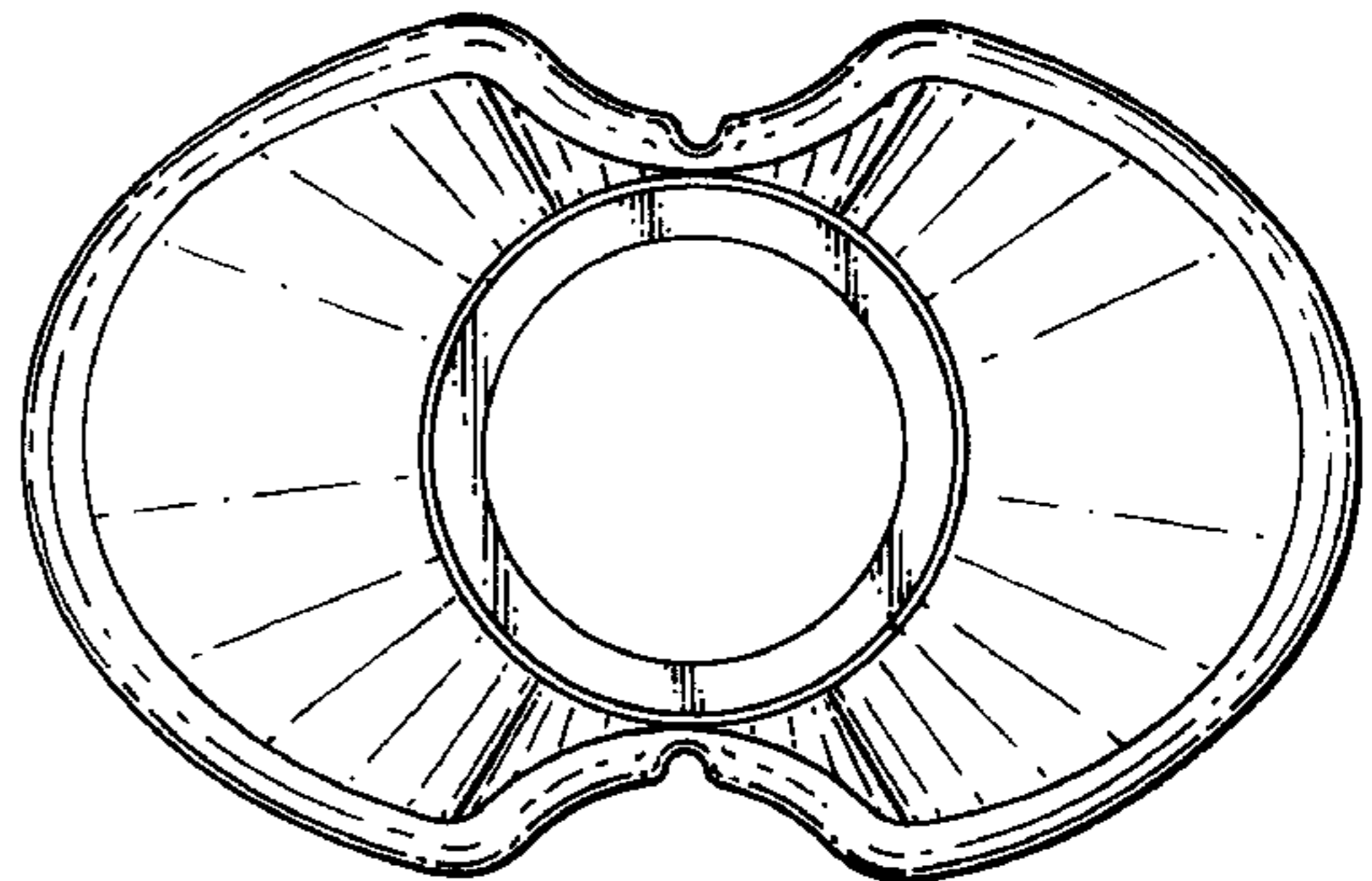
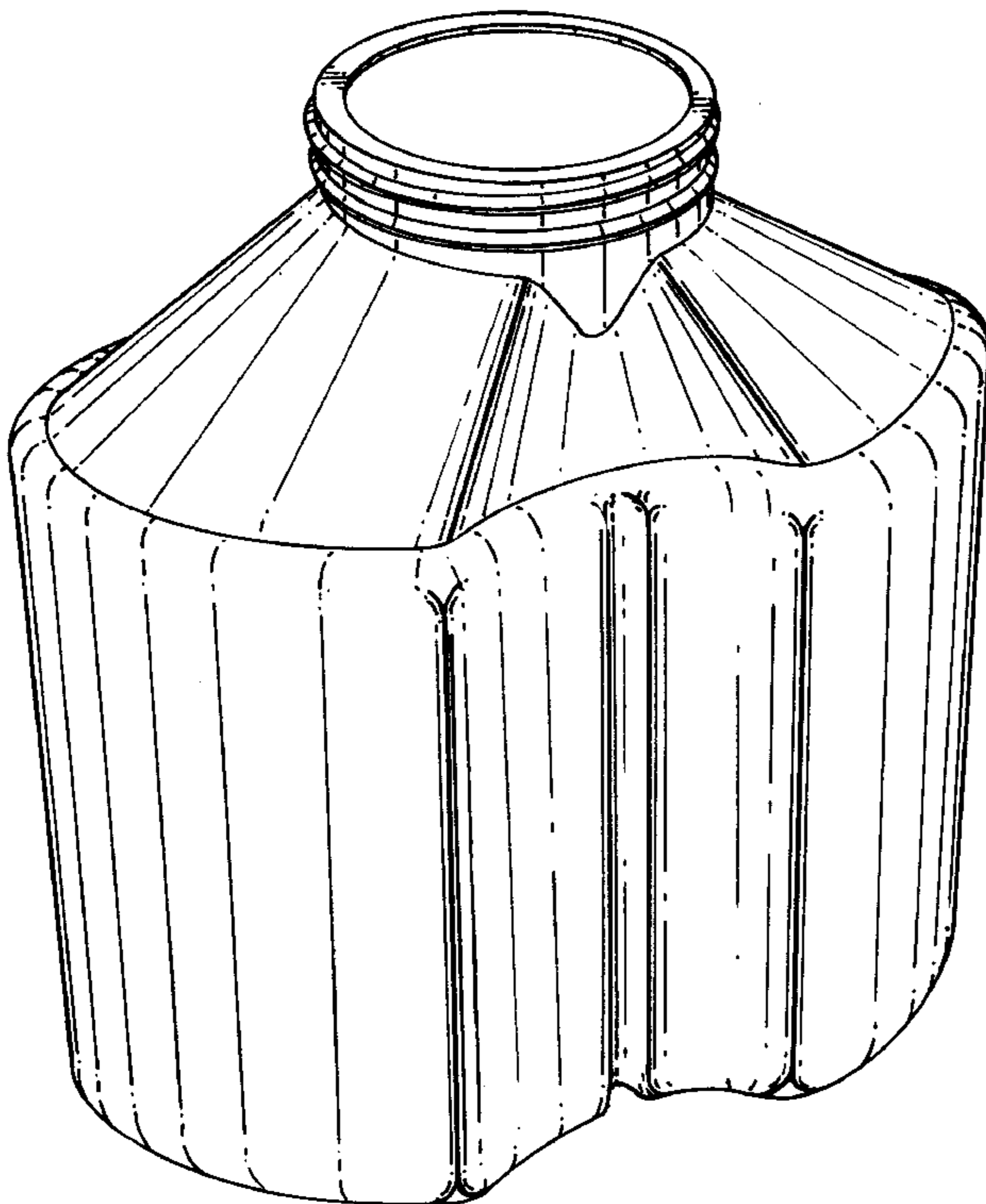


FIG. 1

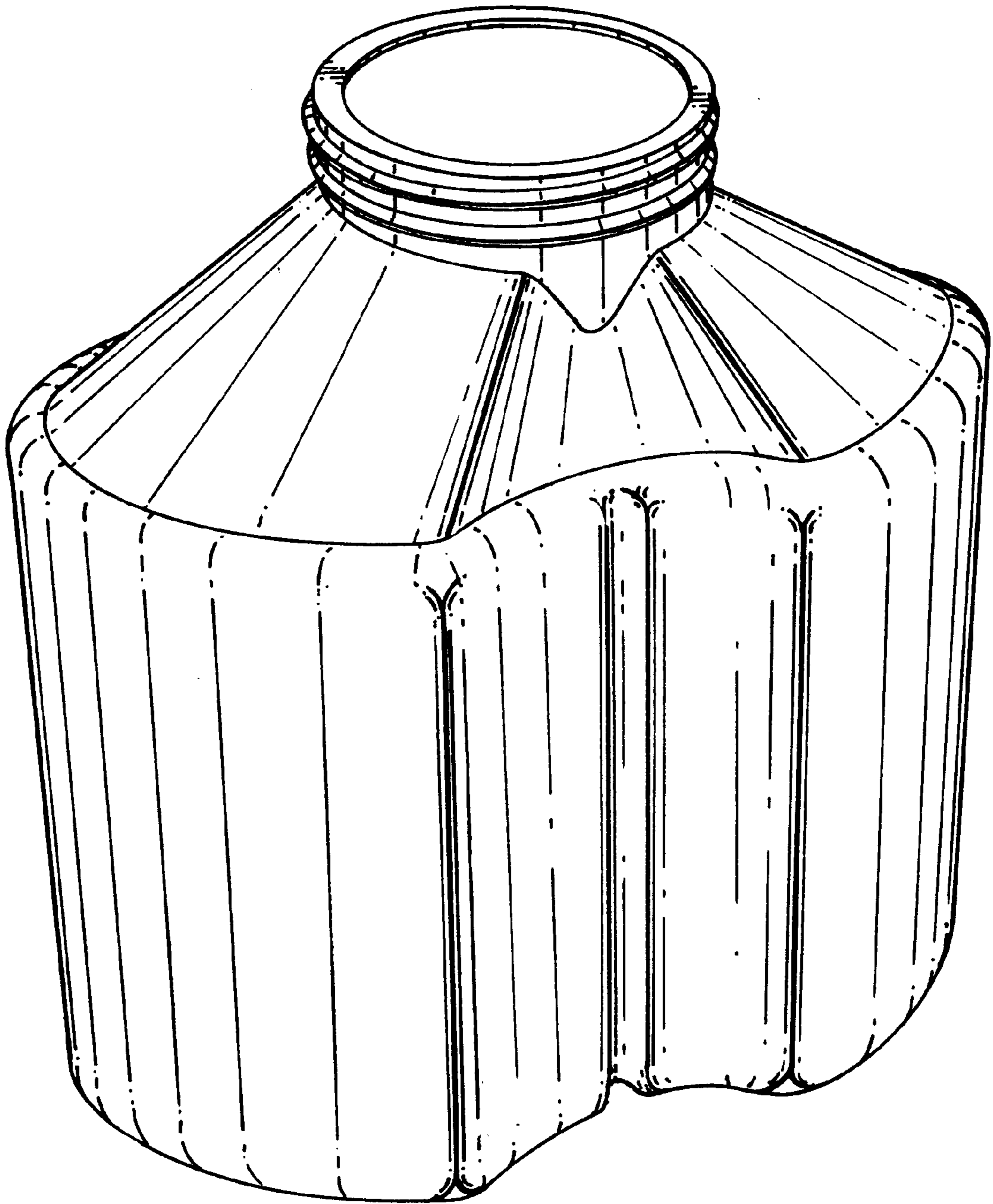


FIG. 3

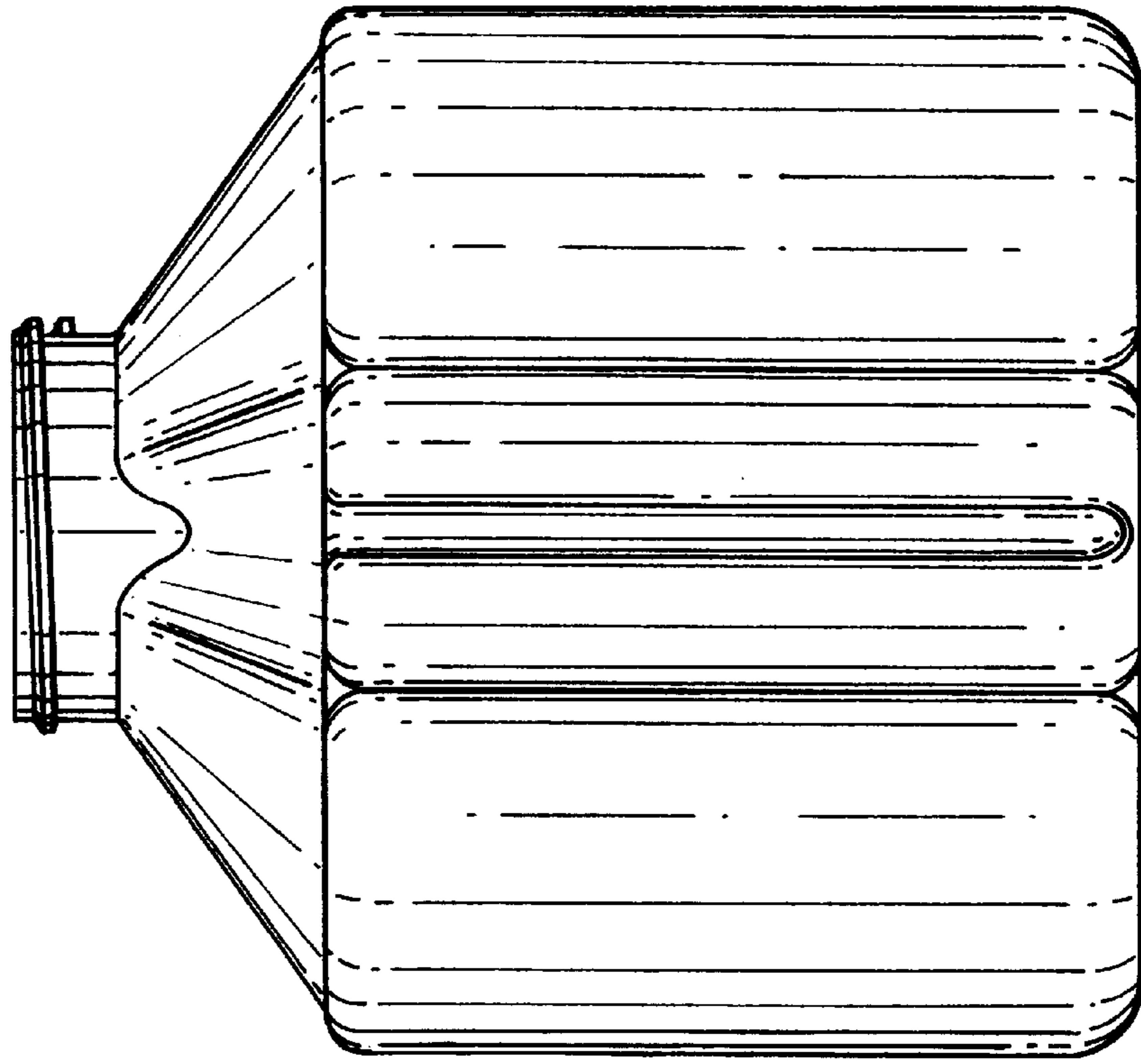


FIG. 2

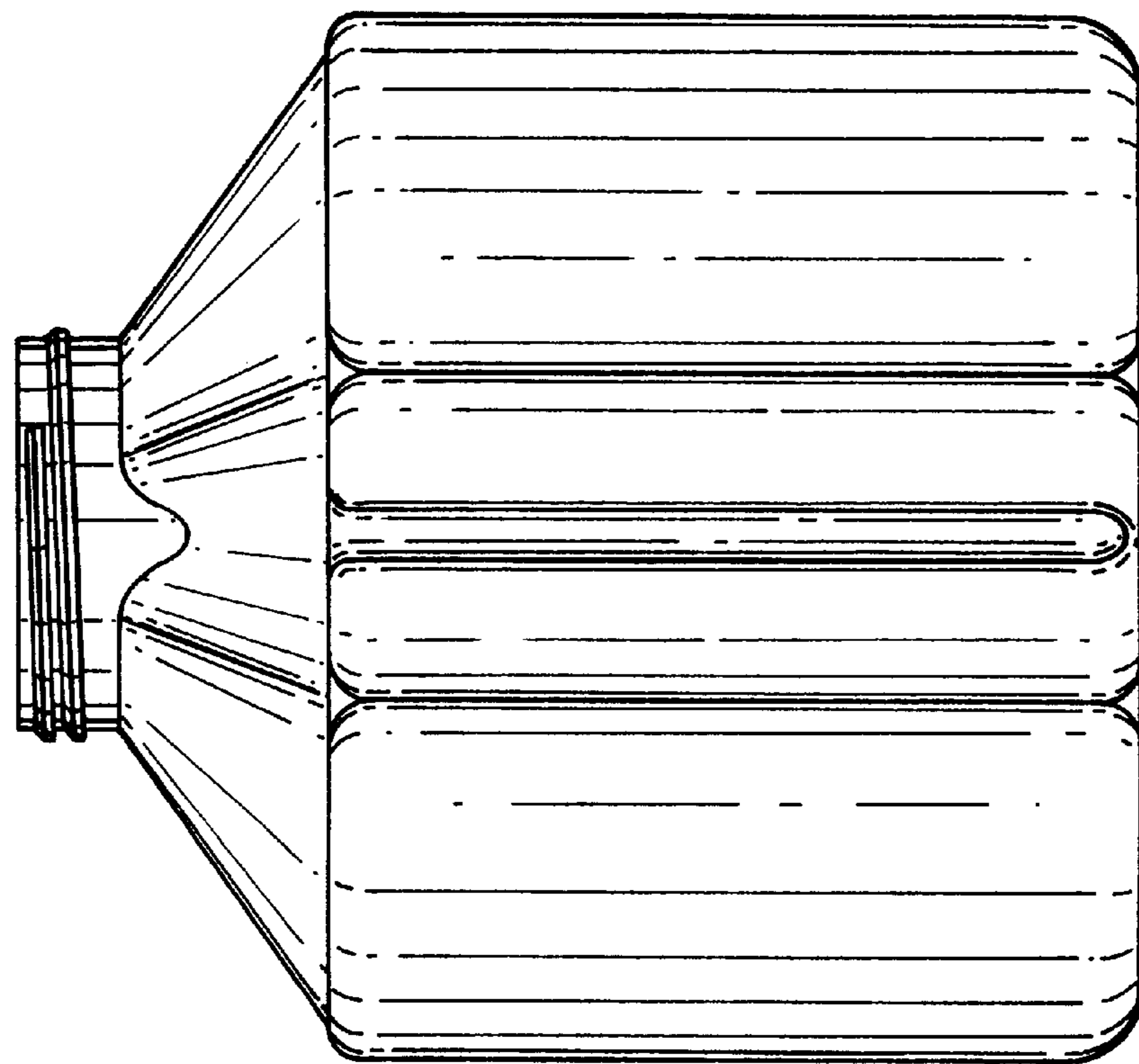


FIG. 5

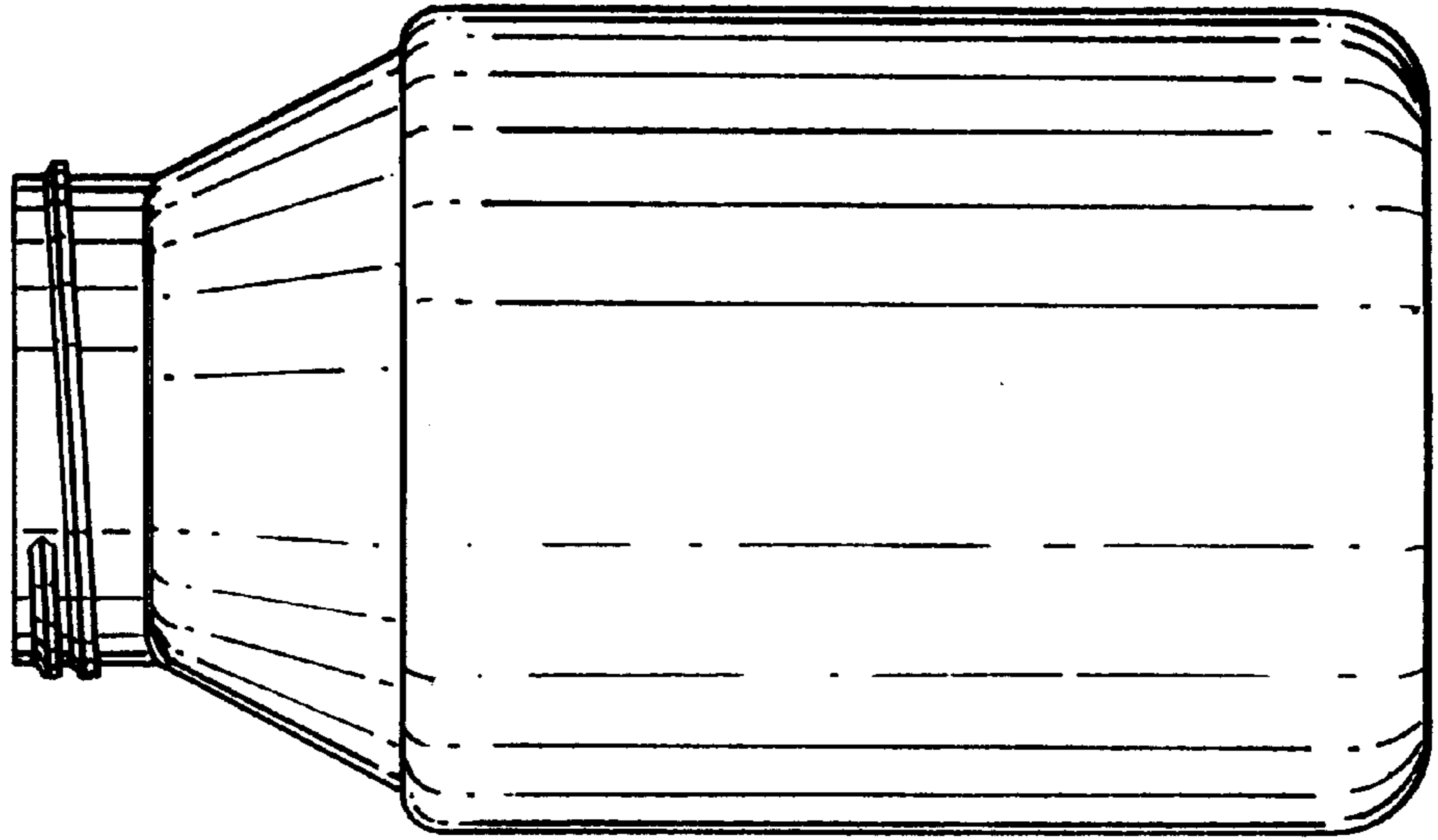


FIG. 4

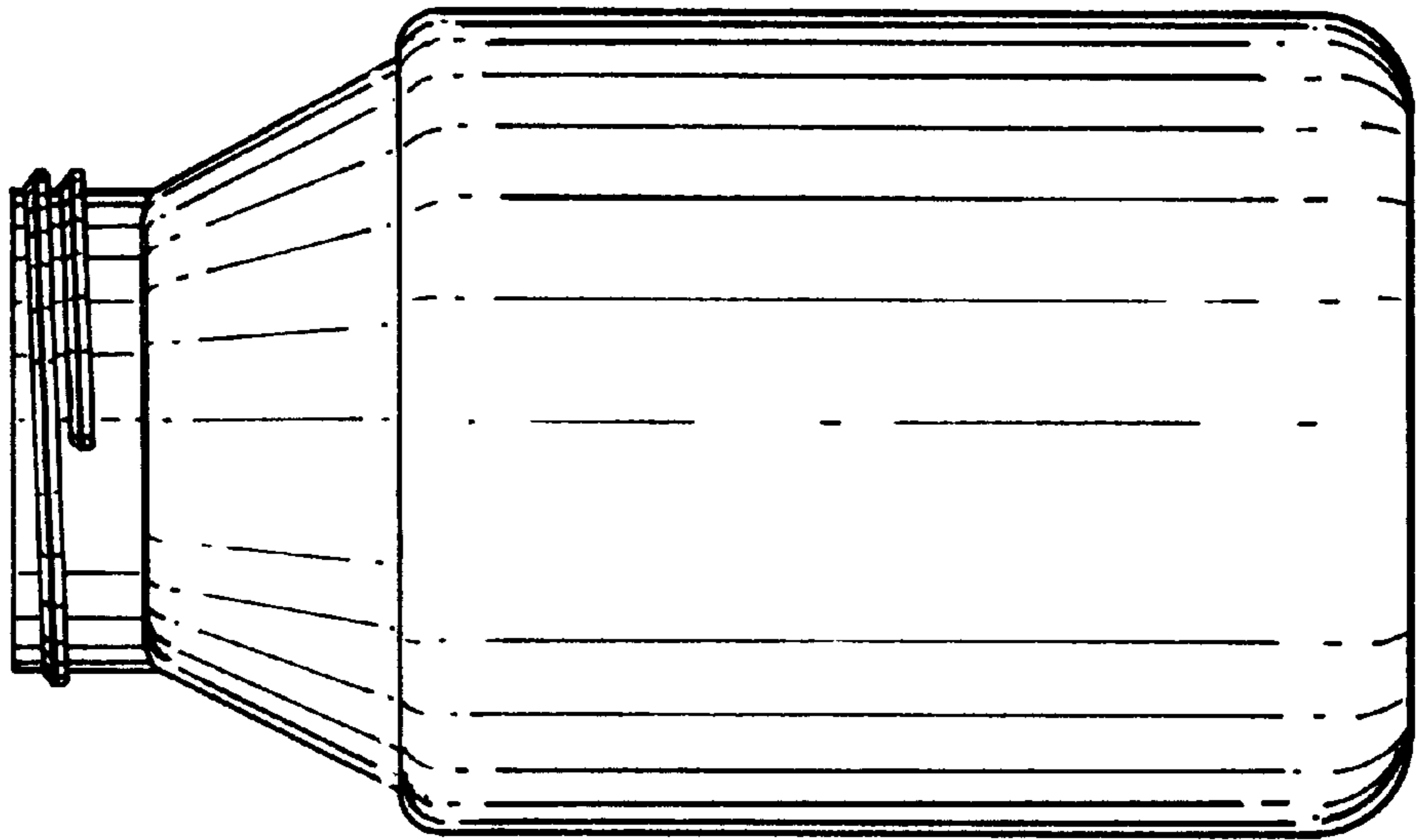


FIG. 6

