



US00D464567S

(12) **United States Design Patent**
Baerenwald et al.

(10) **Patent No.:** **US D464,567 S**

(45) **Date of Patent:** **** Oct. 22, 2002**

(54) **CONTOURED RECTANGULAR CONTAINER**

(75) Inventors: **Philip M. Baerenwald**, Rockford, IL (US); **C. Alan Peet**, Waterman, IL (US); **George Solowiejko**, Rockford, IL (US)

(73) Assignee: **J.L. Clark, Inc.**, Rockford, IL (US)

(**) Term: **14 Years**

(21) Appl. No.: **29/138,015**

(22) Filed: **Mar. 2, 2001**

(51) **LOC (7) Cl.** **09-03**

(52) **U.S. Cl.** **D9/432**

(58) **Field of Search** D9/432; 206/38, 206/37, 235; 220/212, 252, 558, 810; 222/480; 229/124, 126

(56) **References Cited**

U.S. PATENT DOCUMENTS

1,354,211 A *	9/1920	Reed	
1,837,722 A *	12/1931	McAtree	
2,010,521 A *	8/1935	Kreisler	
3,217,949 A	11/1965	Davis	222/480
3,262,606 A *	7/1966	Waterman	
3,323,671 A	6/1967	Minarik, Jr. et al.	215/40
3,397,823 A *	8/1968	Kirkpatrick	
3,419,198 A	12/1968	Pettersen	222/541
3,836,056 A	9/1974	Pehr	222/480
3,845,872 A	11/1974	Towns et al.	215/9
3,850,350 A	11/1974	Towns et al.	222/556
4,010,875 A	3/1977	Babiol	222/517
4,127,221 A	11/1978	Vere	222/153
4,158,902 A	6/1979	Chernack et al.	16/150
4,168,032 A	9/1979	Sneider	239/327
4,209,100 A	6/1980	Uhlig	215/216
4,220,248 A	9/1980	Wilson et al.	215/235
4,223,814 A	9/1980	Sneider	222/565
4,244,495 A	1/1981	Lorscheid et al.	222/153
4,261,480 A	4/1981	Fuss	221/304
4,291,818 A	9/1981	Nozawa et al.	220/335
4,369,901 A	1/1983	Hidding	222/480

4,371,095 A	2/1983	Montgomery et al.	222/153
4,457,458 A	7/1984	Heinol	222/498
4,494,679 A	1/1985	Cleevly	222/151
4,504,009 A	3/1985	Boik et al.	229/5.5
4,558,806 A	12/1985	Shabram, Sr. et al.	222/556
4,580,687 A	4/1986	Lewis	215/237
D292,889 S	11/1987	Ostrowsky	D9/449
4,736,858 A	4/1988	Shastal	215/236
4,776,501 A	10/1988	Ostrowsky	222/517
4,898,292 A	2/1990	VerWeyst et al.	215/237
4,901,892 A	2/1990	Song	222/498
4,911,337 A	3/1990	Rosenthal	222/498
4,923,085 A	5/1990	Lillelund et al.	220/282
4,936,494 A	6/1990	Weidman	222/480

(List continued on next page.)

Primary Examiner—Ted Shooman

Assistant Examiner—Daniel Bui

(74) *Attorney, Agent, or Firm*—Leydig, Voit & Mayer, LTD

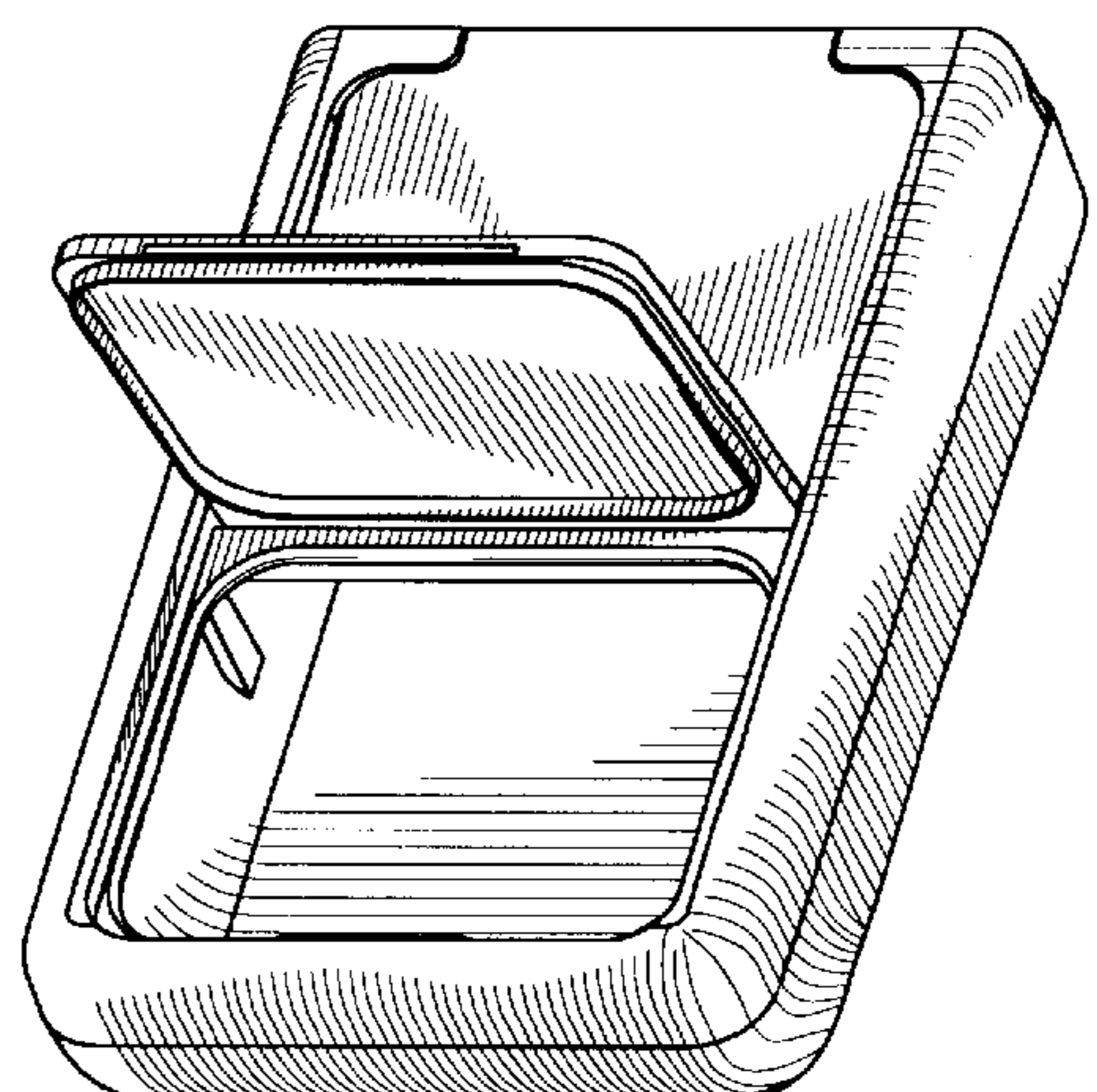
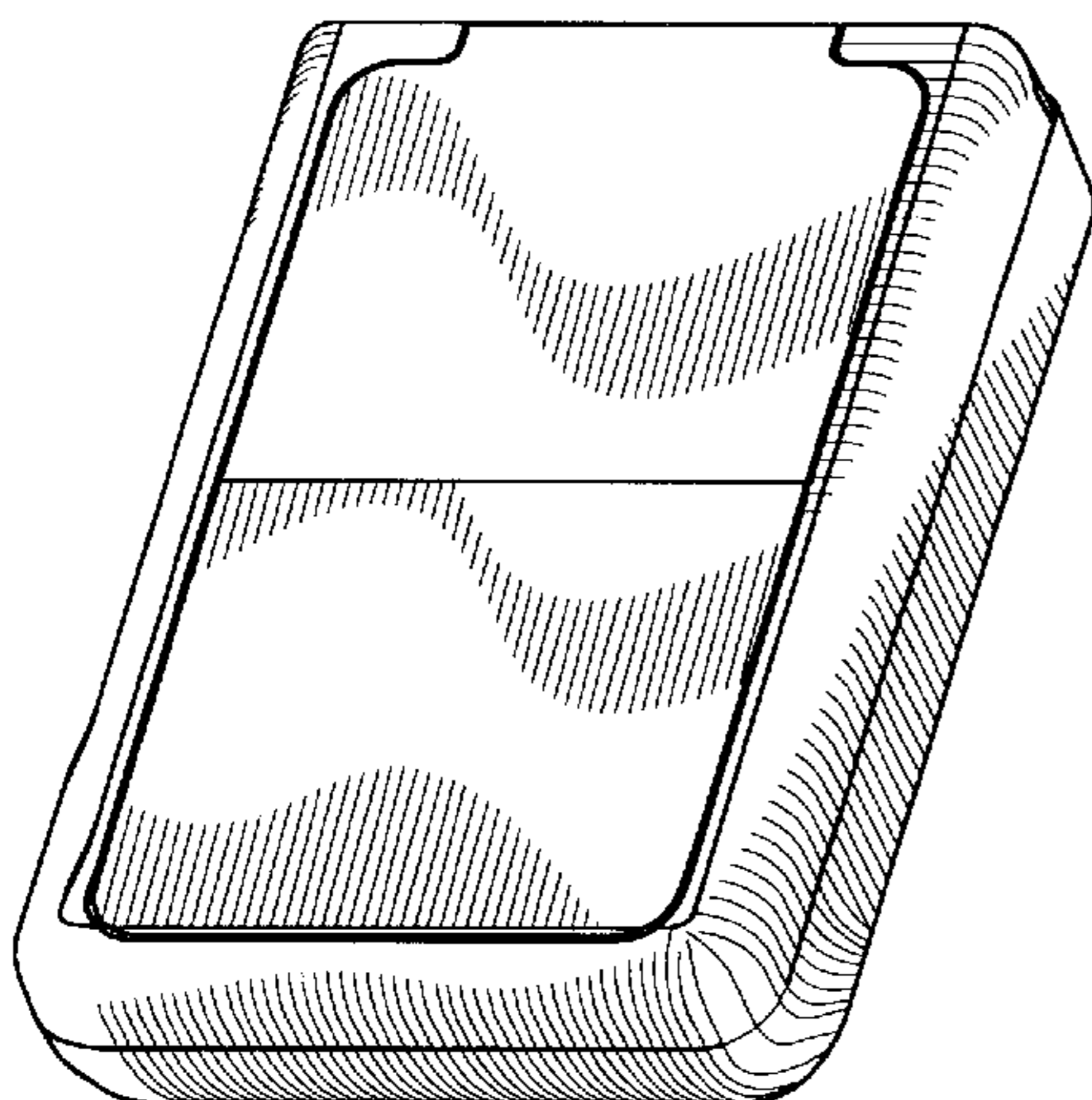
(57) **CLAIM**

I claim the ornamental design for the contoured rectangular container, as shown and described.

DESCRIPTION

FIG. 1 is a perspective view of the lid with the door in the closed position;
 FIG. 2 is a perspective view similar to FIG. 1, but with the door in a fully open position;
 FIG. 3 is a top view of the lid as shown in FIG. 1;
 FIG. 4 is a top view of the lid as shown in FIG. 2;
 FIG. 5 is a front view of the lid as shown in FIG. 1;
 FIG. 6 is a rear view of the lid as shown in FIG. 1;
 FIG. 7 is a front view of the lid as shown in FIG. 2;
 FIG. 8 is a bottom view of the lid as shown in FIG. 1;
 FIG. 9 is a side view of the lid as shown in FIG. 1, taken from the right;
 FIG. 10 is a side view of the lid as shown in FIG. 2, taken from the right; and,
 FIG. 11 is a cross-sectional view of the lid as shown in FIG. 10.

1 Claim, 4 Drawing Sheets



US D464,567 S

Page 2

U.S. PATENT DOCUMENTS

D314,708 S	2/1991	DeCoster	D9/449	D355,121 S	2/1995	Kohl	D9/447
D321,137 S	10/1991	Hofmann et al.	D9/447	D355,846 S	2/1995	Denney et al.	D9/449
D322,760 S	12/1991	Blanchette	D9/435	D363,222 S	10/1995	Lay	D9/447
5,082,114 A	1/1992	Bunin	206/539	D363,671 S	10/1995	Mueller	D9/447
D328,711 S	8/1992	Deflander	D9/524	5,499,736 A	3/1996	Kohl	220/254
D329,604 S	9/1992	Kuczer	D9/449	D369,942 S	5/1996	Ahern, Jr.	D7/391
5,163,559 A	11/1992	Bunin	206/532	5,531,347 A	7/1996	Goulding	220/256
D331,877 S	12/1992	Robichaud et al.	D9/449	5,611,451 A	3/1997	Mosior et al.	220/346
5,176,277 A	1/1993	Schuermann	220/253	5,706,981 A	1/1998	Nobakht	222/132
D335,817 S	5/1993	Greubel	D9/300	5,718,347 A	2/1998	Walker et al.	215/209
D339,290 S	9/1993	Close	D9/447	5,730,310 A	3/1998	Yoshihara	220/335
D340,188 S	10/1993	Forsyth	D9/449	5,782,388 A	7/1998	De Nervo	222/546
5,273,177 A	12/1993	Campbell	220/281	5,799,838 A	9/1998	Miller	222/480
5,285,917 A	2/1994	Hofmann	220/212.5	D407,976 S	4/1999	Ekkert	D9/449
5,339,993 A	8/1994	Groya et al.	222/153	5,927,535 A	7/1999	Goth	220/254
5,346,086 A	9/1994	Harris	220/254	D426,772 S	6/2000	Kahl	D9/449
D352,899 S	11/1994	Molo	D9/447	6,102,257 A	8/2000	Goyet	222/498

* cited by examiner

FIG. 2

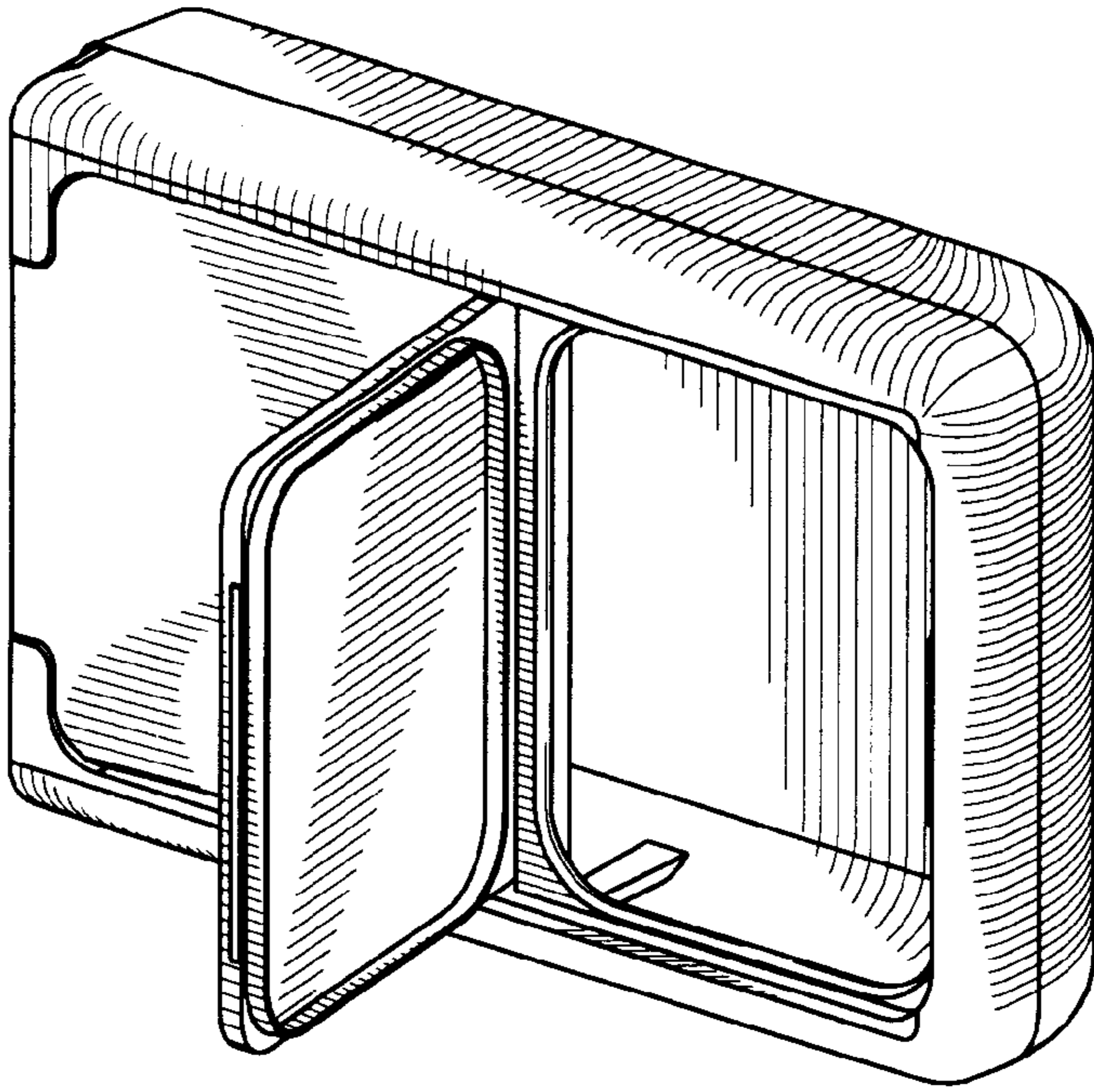


FIG. 1

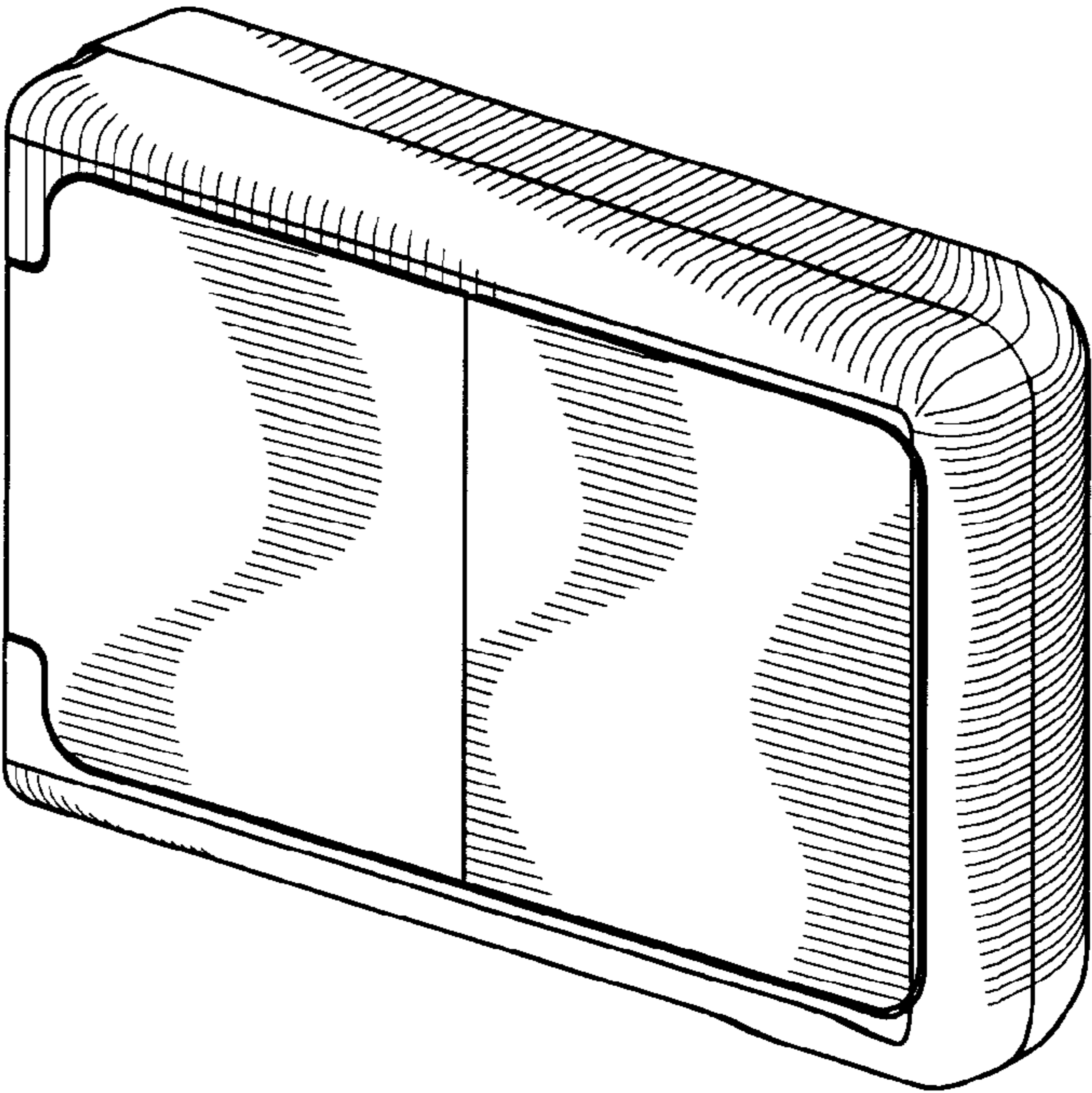


FIG. 3

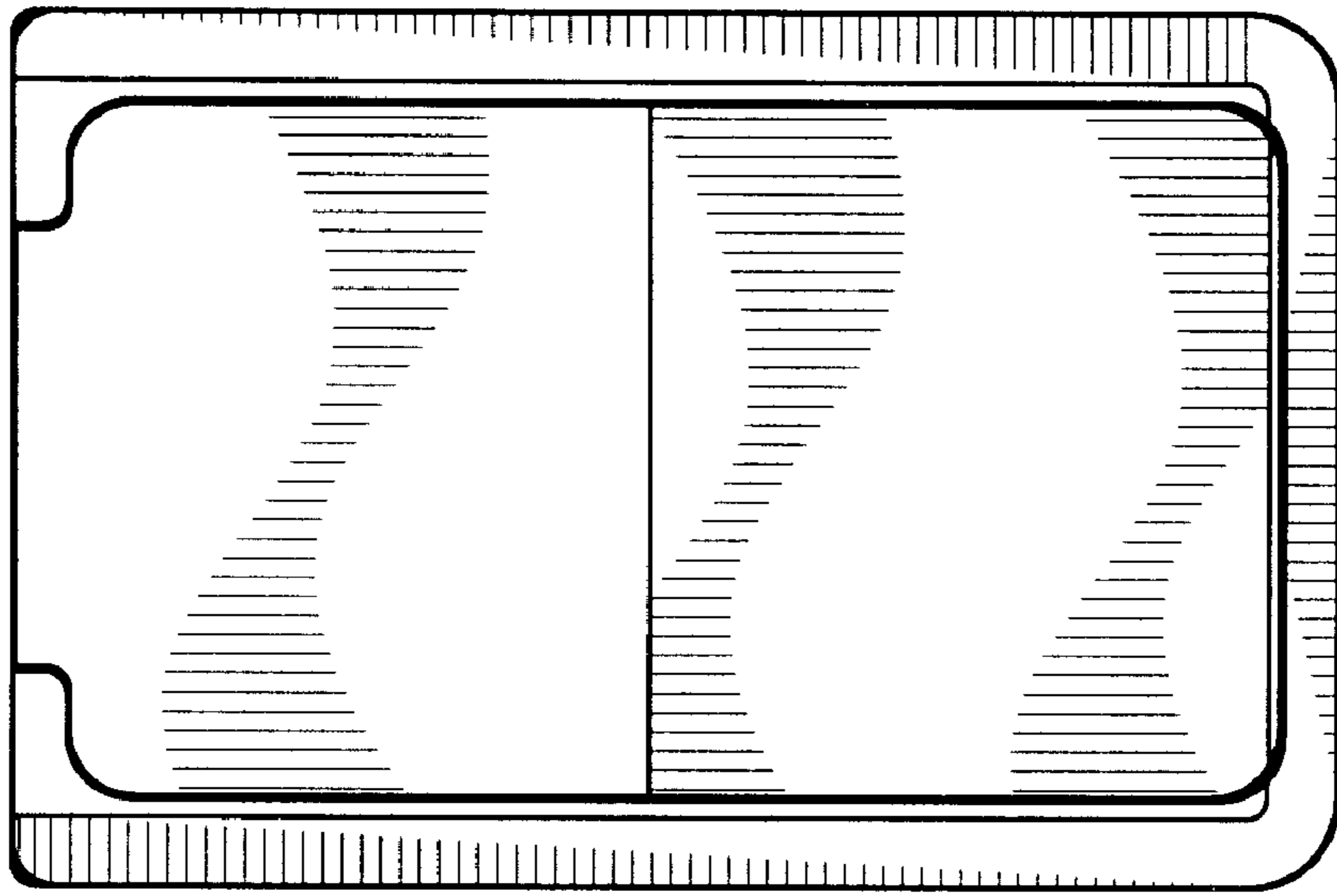
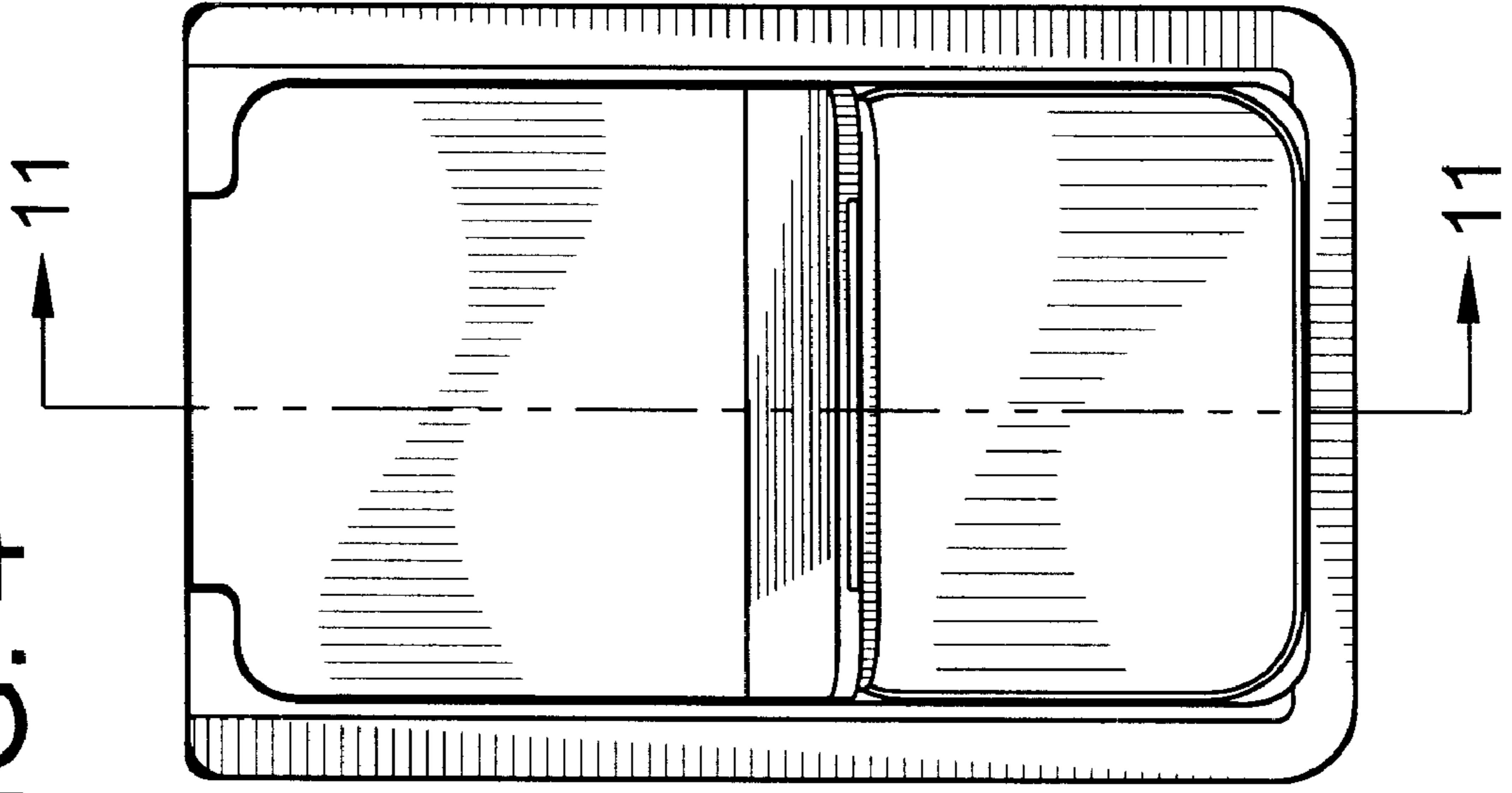


FIG. 4



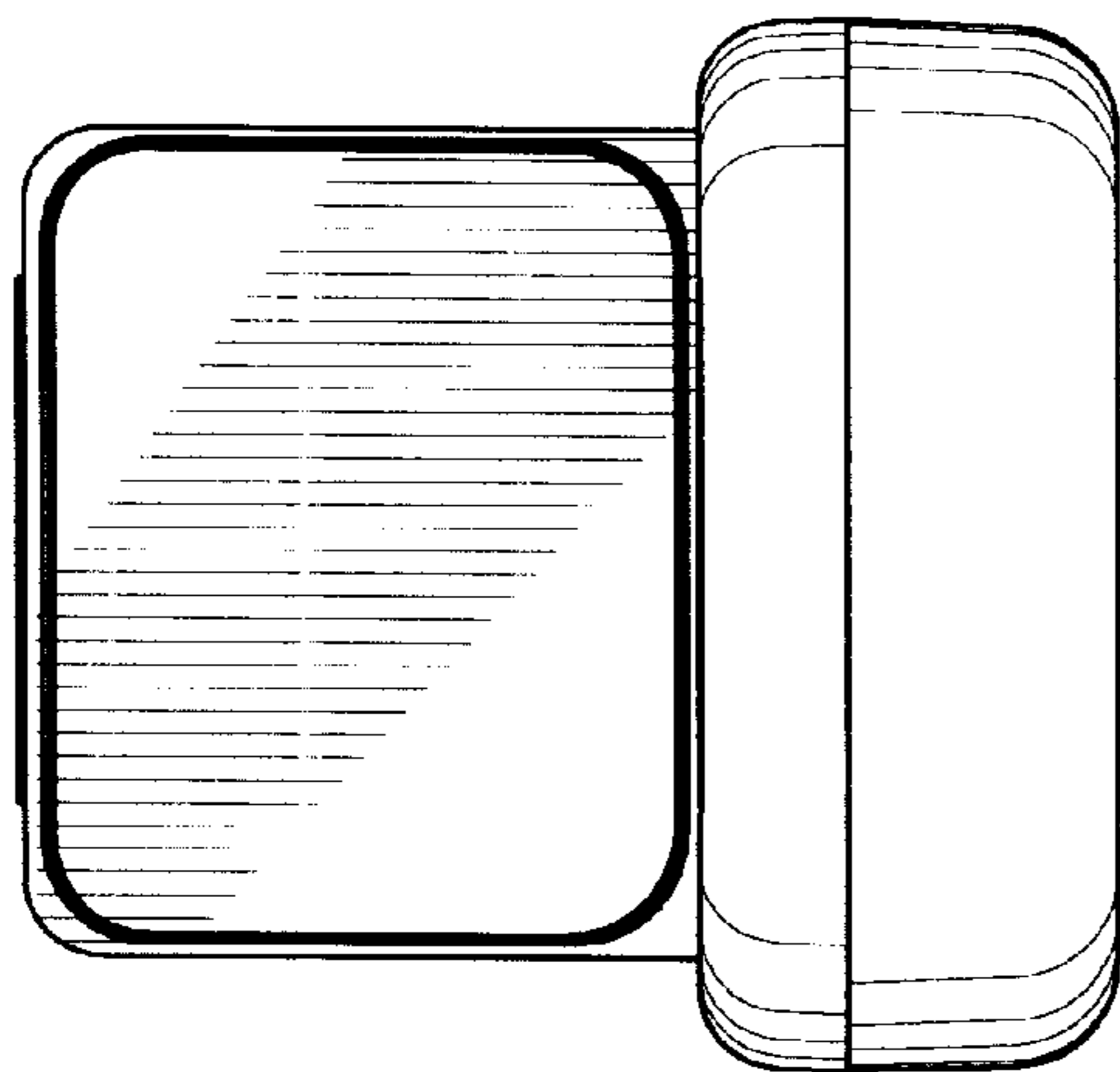


FIG. 7

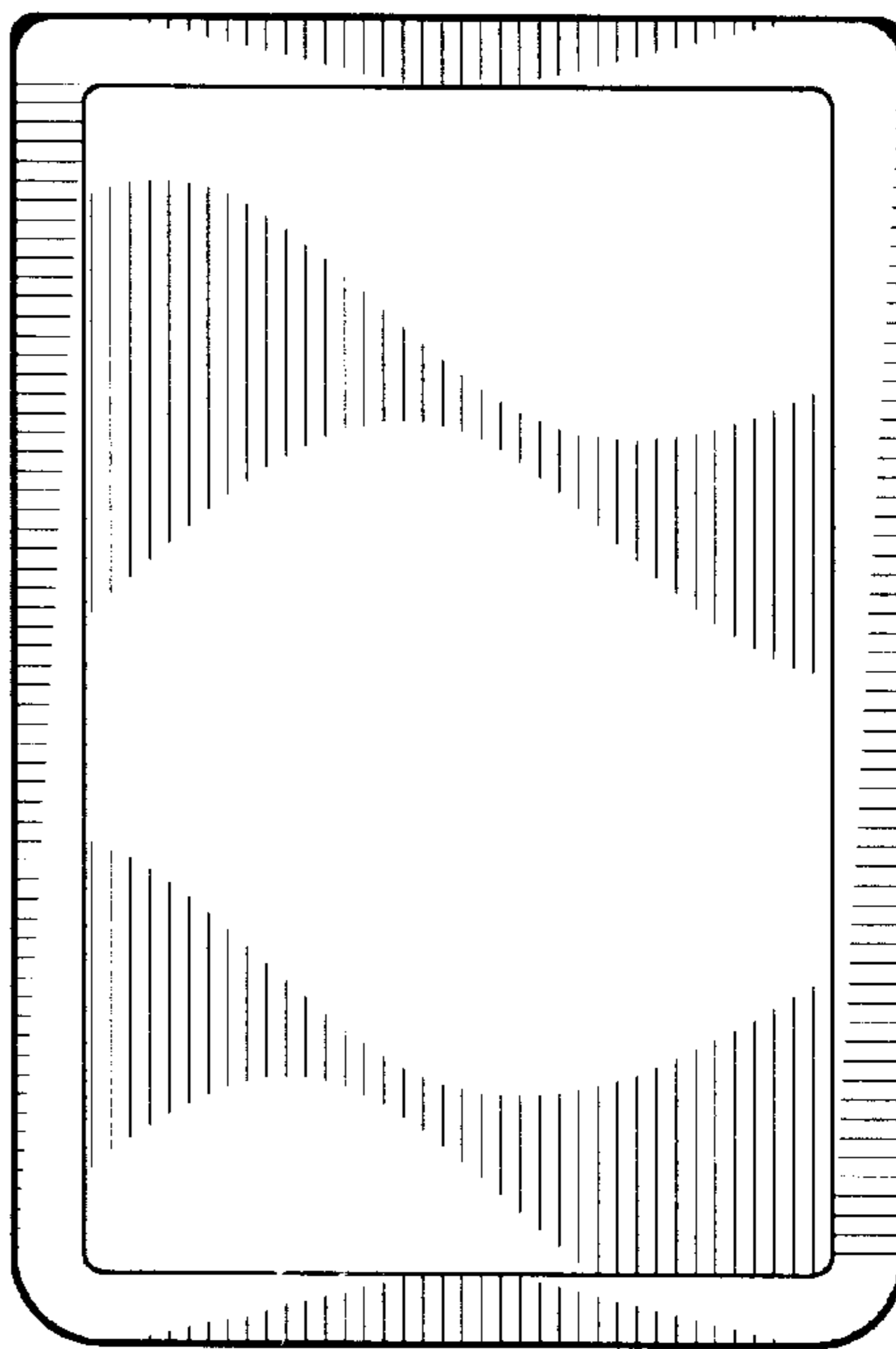


FIG. 8

FIG. 5

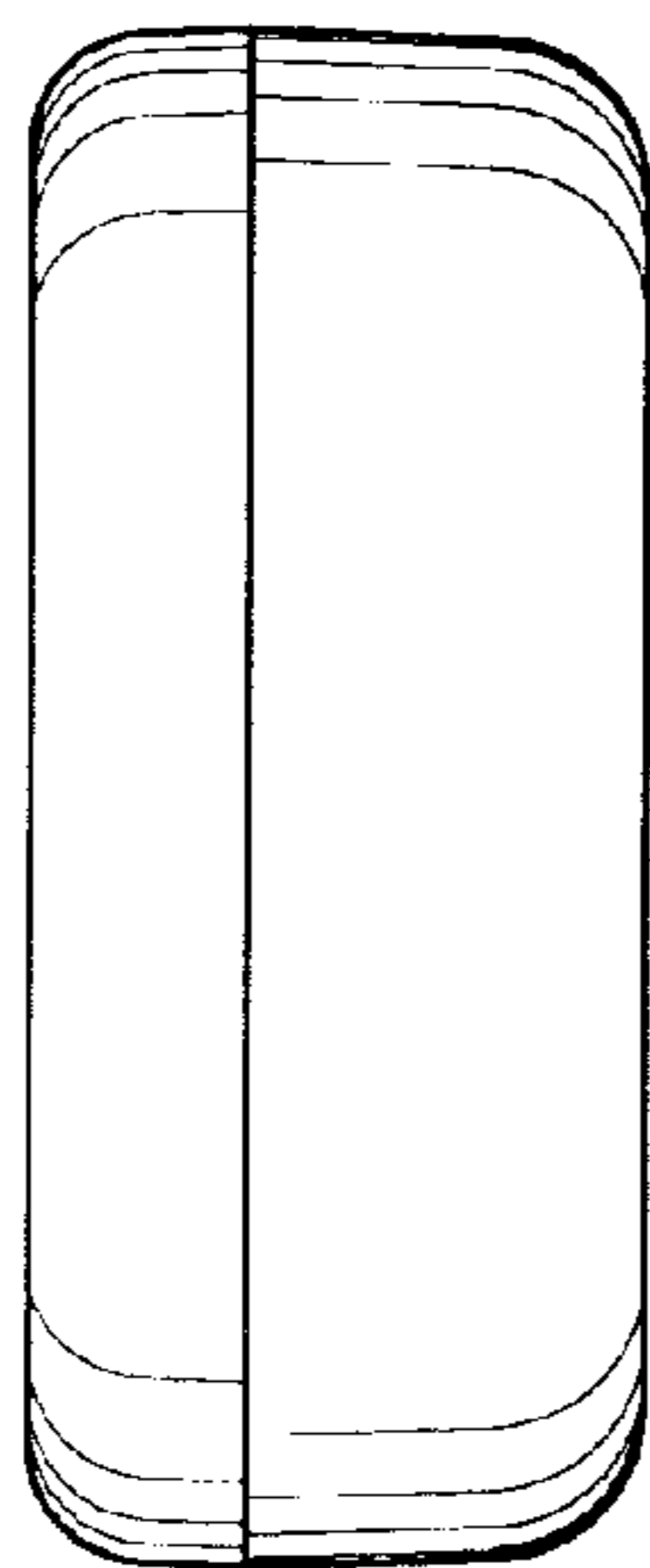


FIG. 6

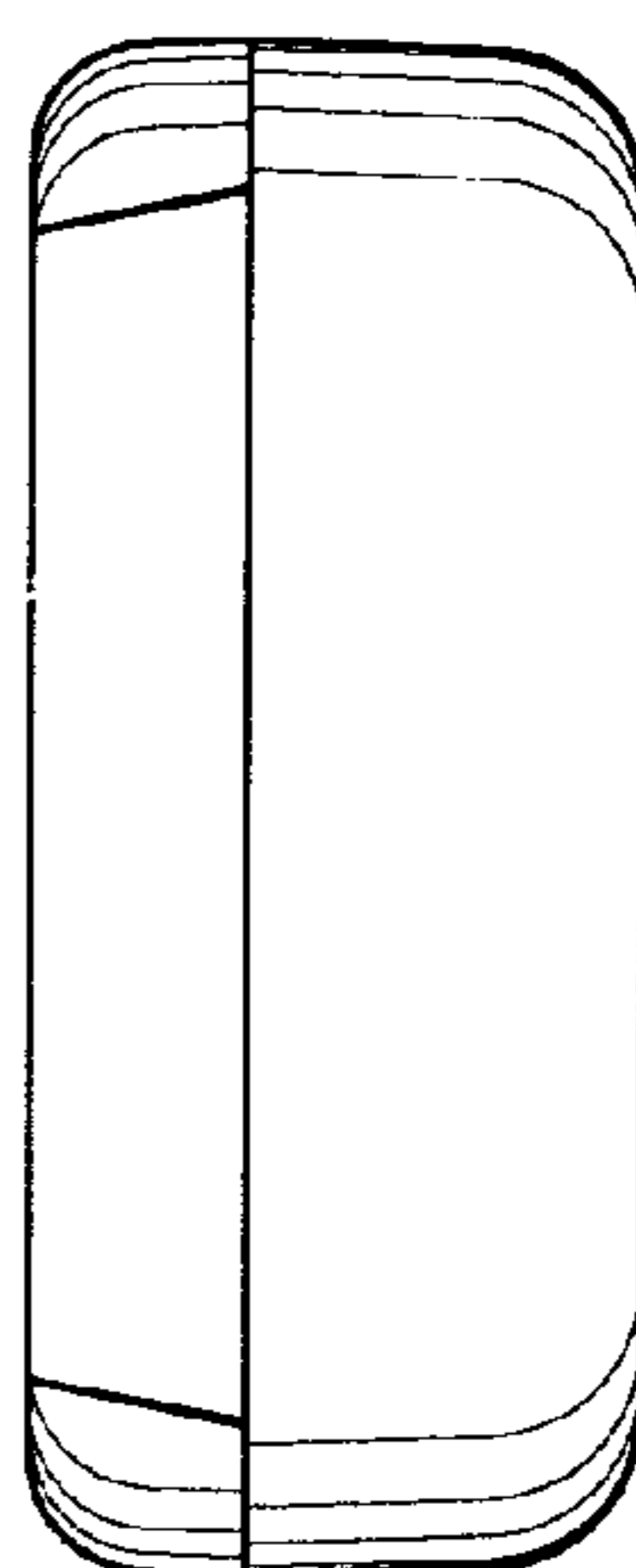


FIG. 9

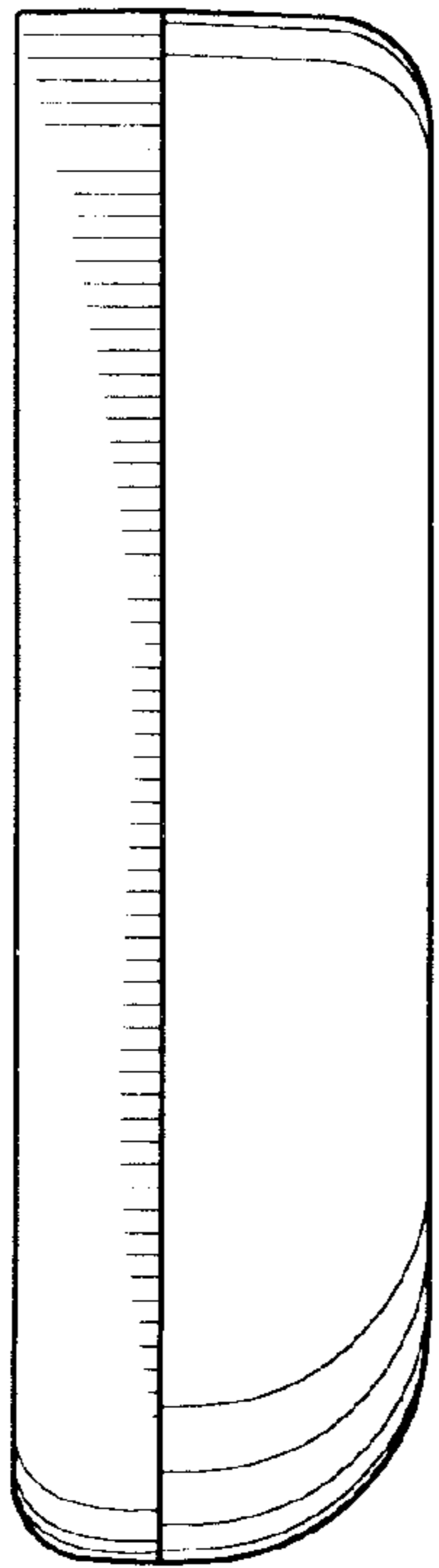


FIG. 10

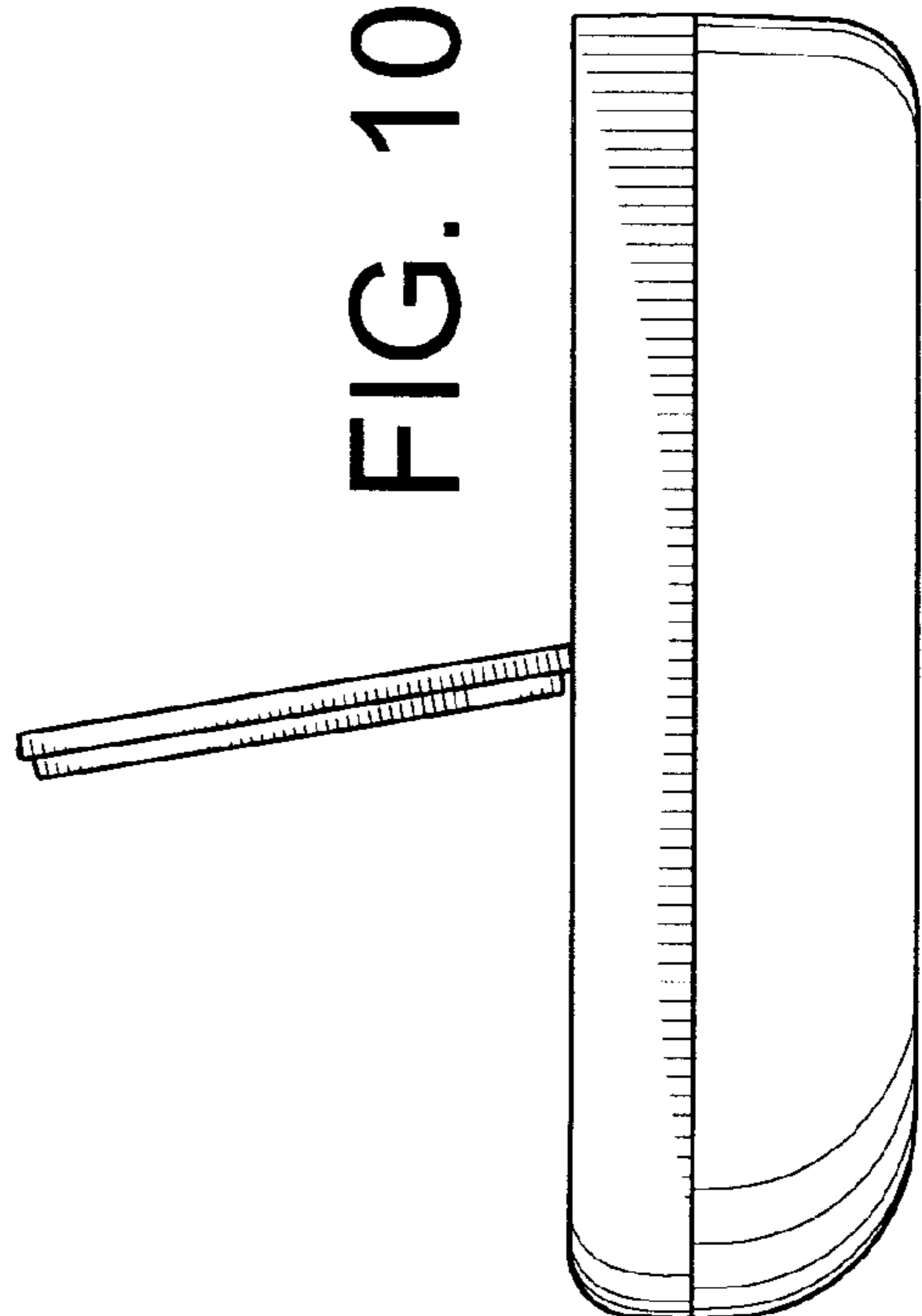
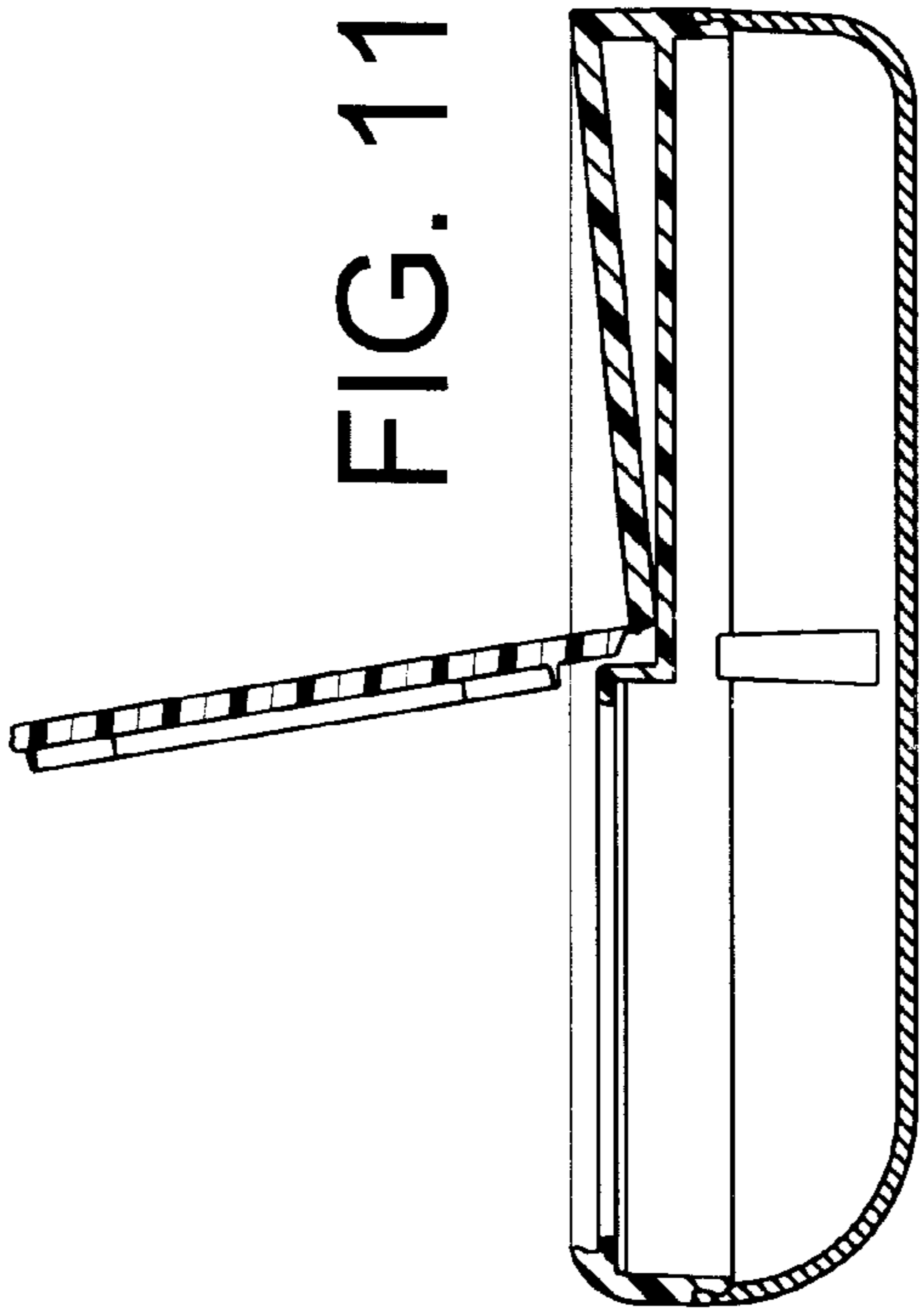


FIG. 11



UNITED STATES PATENT AND TRADEMARK OFFICE
CERTIFICATE OF CORRECTION

PATENT NO. : Des. 464,567 S
DATED : October 22, 2002
INVENTOR(S) : Philip M. Baerenwald et al.

Page 1 of 1

It is certified that error appears in the above-identified patent and that said Letters Patent is hereby corrected as shown below:

Title page,

Item [75], Inventors, -- **Robert G. Rentz** -- should be added after the name of
“**George Solowiejko, Rockford, IL (US)**”

Signed and Sealed this

Tenth Day of June, 2003

A handwritten signature in black ink, appearing to read "James E. Rogan", written over a horizontal line.

JAMES E. ROGAN
Director of the United States Patent and Trademark Office