



US00D464563S

(12) **United States Design Patent**  
**Deschenes**

(10) **Patent No.:** **US D464,563 S**

(45) **Date of Patent:** **\*\* Oct. 22, 2002**

(54) **CLIP OF PLASTIC FASTENERS**

(75) **Inventor:** **Charles L. Deschenes**, North Attleboro, MA (US)

(73) **Assignee:** **Avery Dennison Corporation**, Pasadena, CA (US)

(\*\*) **Term:** **14 Years**

(21) **Appl. No.:** **29/135,966**

(22) **Filed:** **Jan. 23, 2001**

(51) **LOC (7) Cl.** ..... **08-08**

(52) **U.S. Cl.** ..... **D8/382**

(58) **Field of Search** ..... D8/382; 206/343-348, 206/338, 820

RE34,891 E 4/1995 Kunreuther

5,463,799 A 11/1995 Graham

6,047,823 A 4/2000 Deschenes

6,129,206 A 10/2000 Cooper

**FOREIGN PATENT DOCUMENTS**

WO WO 00/03935 1/2000

*Primary Examiner*—Alan P. Douglas

*Assistant Examiner*—Clare E. Heflin

(74) *Attorney, Agent, or Firm*—Kriegsman & Kriegsman

(57) **CLAIM**

The ornamental design for a clip of plastic fasteners, as shown.

**DESCRIPTION**

FIG. 1 is an isometric view of a clip of plastic fastener of this invention;

FIG. 2 is a top view thereof;

FIG. 3 is a front view thereof;

FIG. 4 is a bottom view thereof;

FIG. 5 is a rear view thereof;

FIG. 6 is a left end view thereof; and,

FIG. 7 is a right end view thereof.

(56) **References Cited**

**U.S. PATENT DOCUMENTS**

3,733,657 A 5/1973 Lankton

4,456,123 A 6/1984 Russell

4,533,076 A 8/1985 Borgue

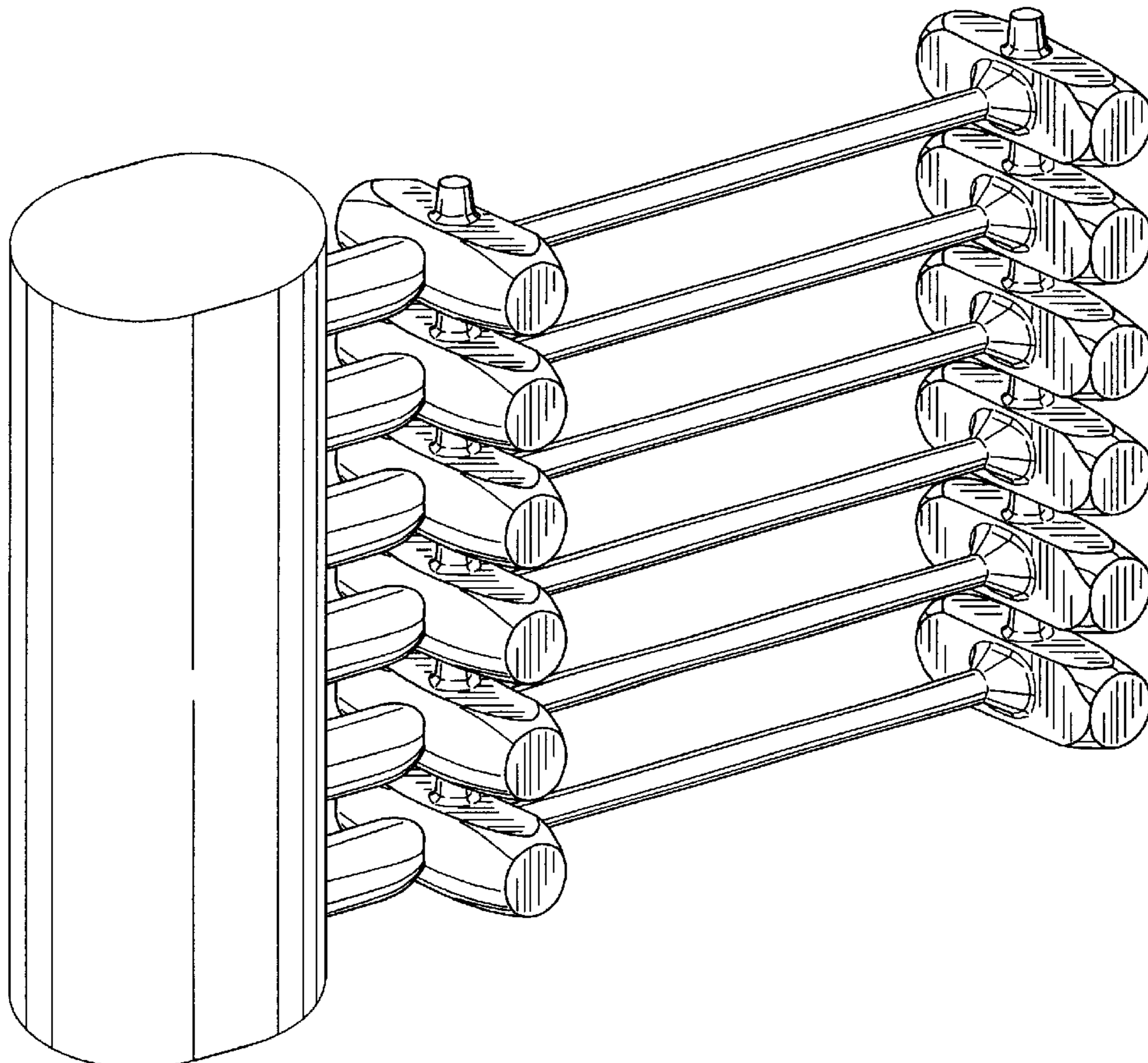
4,586,609 A 5/1986 Won

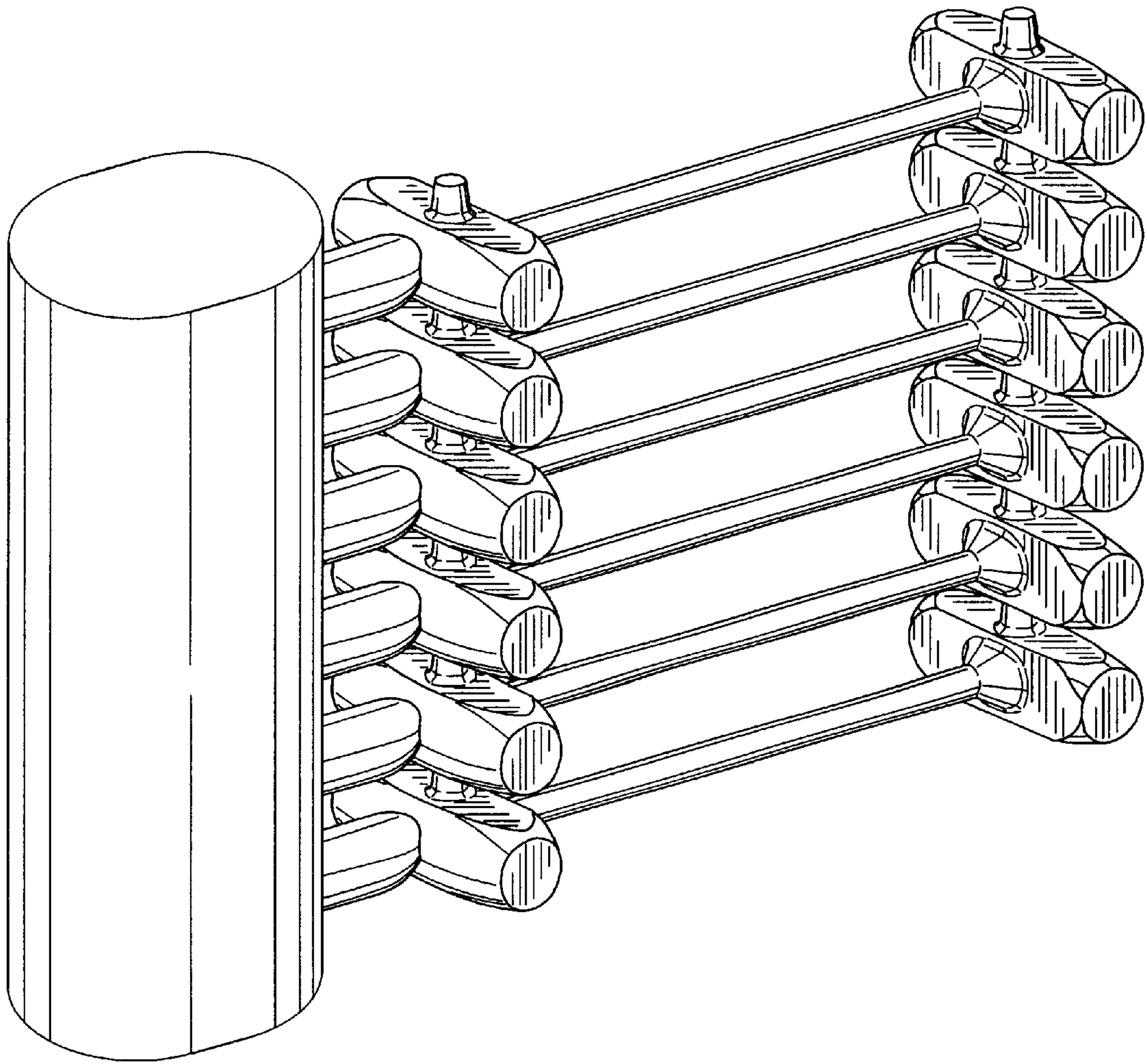
RE32,332 E 1/1987 Kato

4,660,718 A 4/1987 Kato et al. .... 206/343

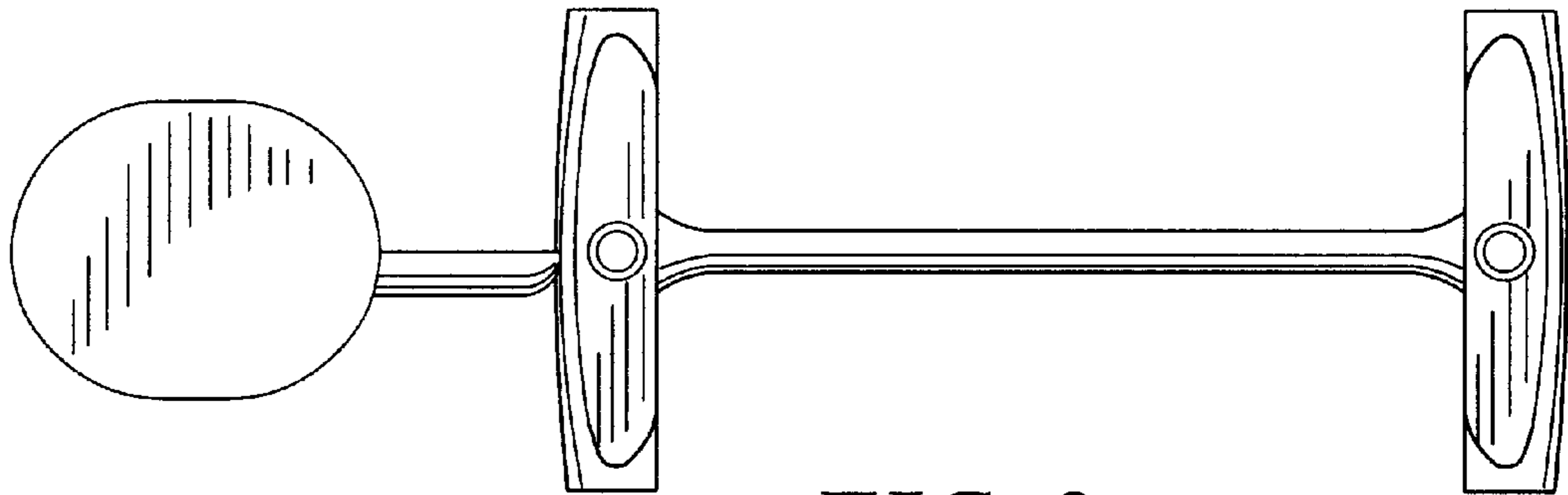
4,712,667 A 12/1987 Russell

**1 Claim, 3 Drawing Sheets**

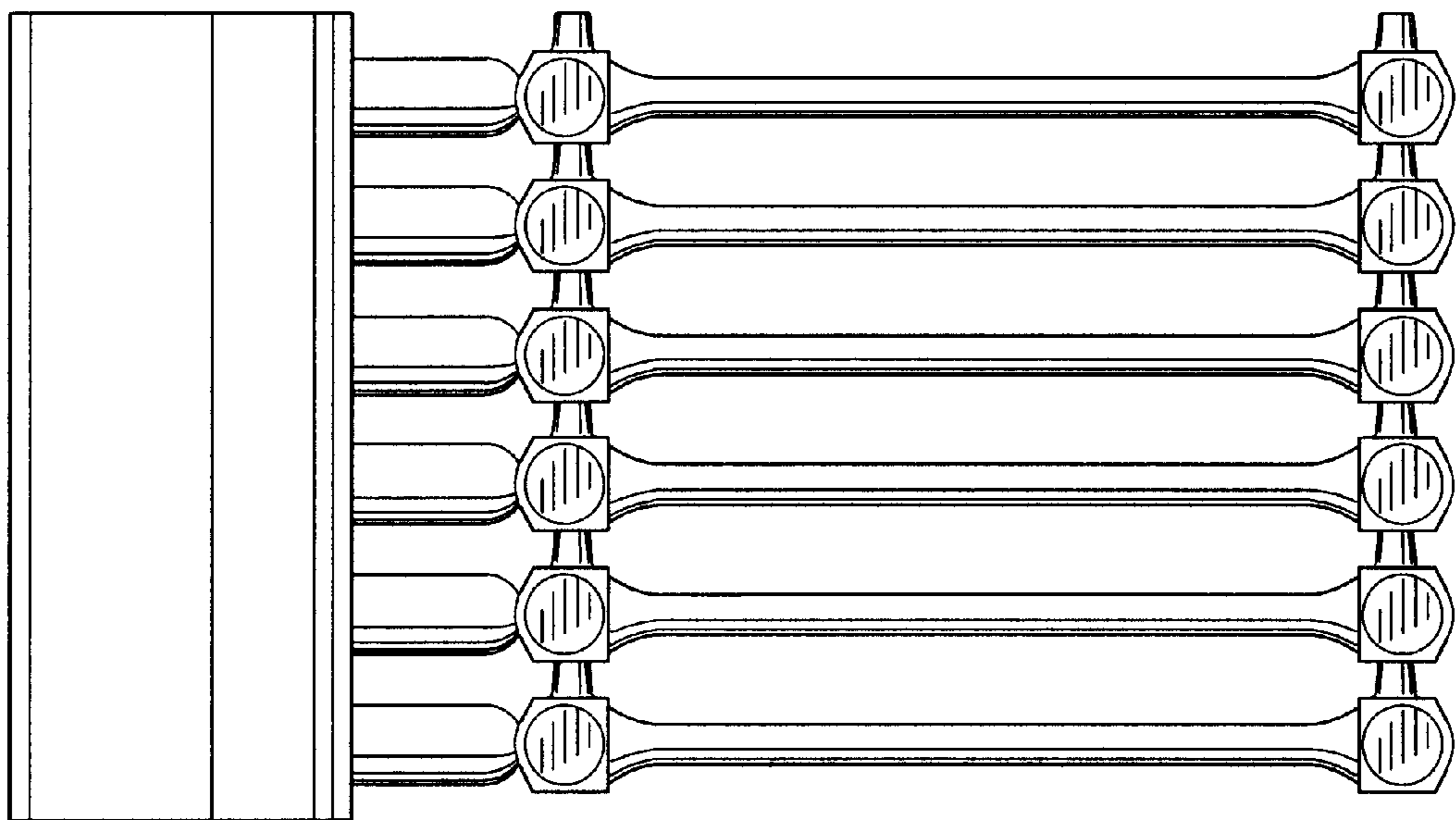




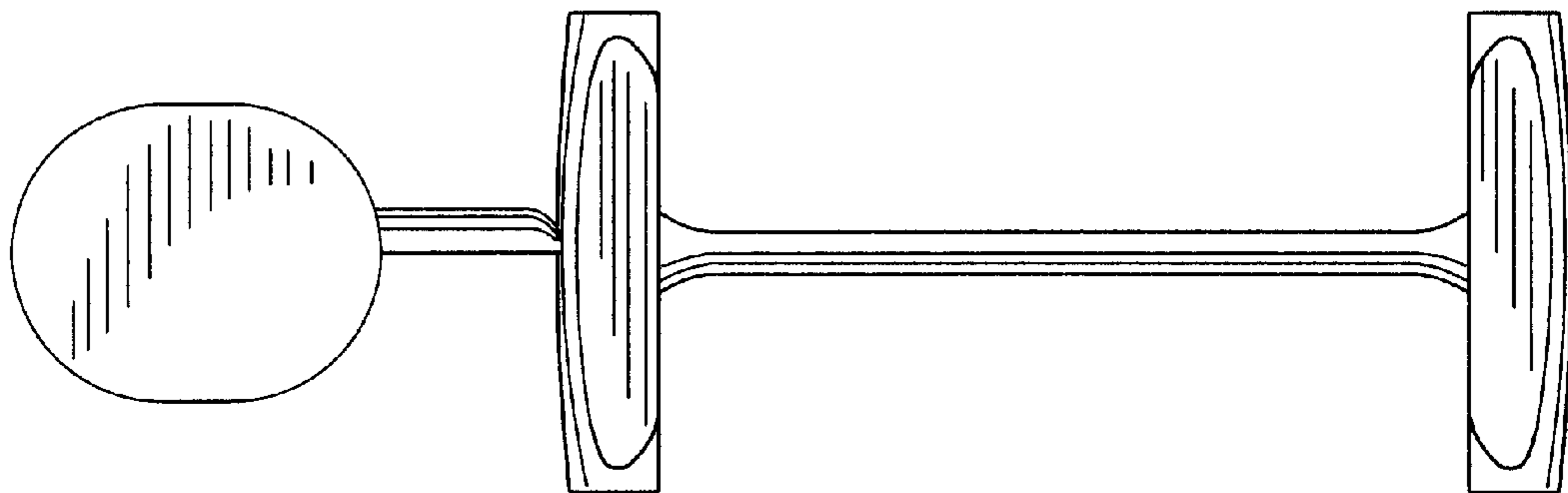
**FIG. 1**



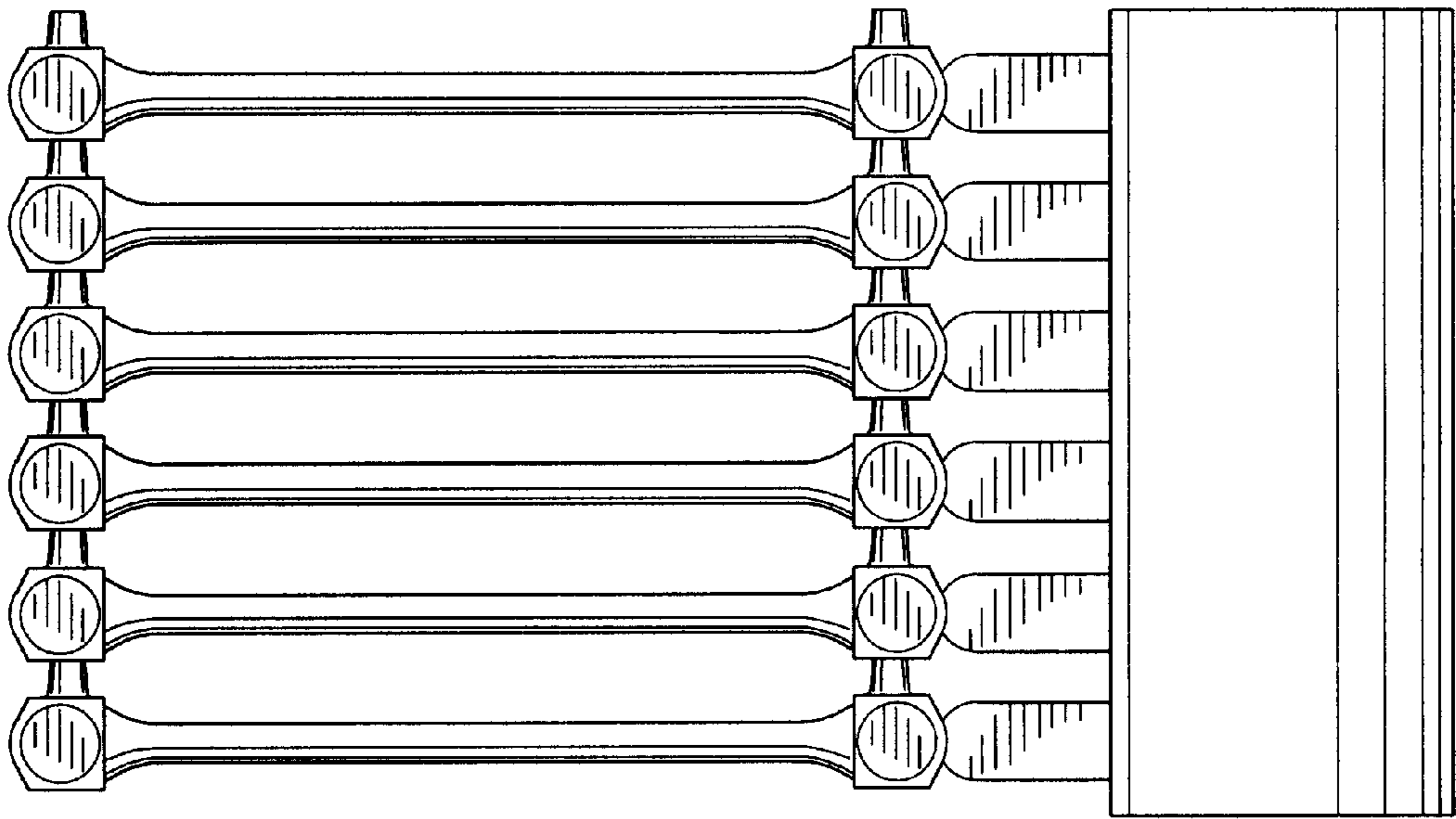
**FIG. 2**



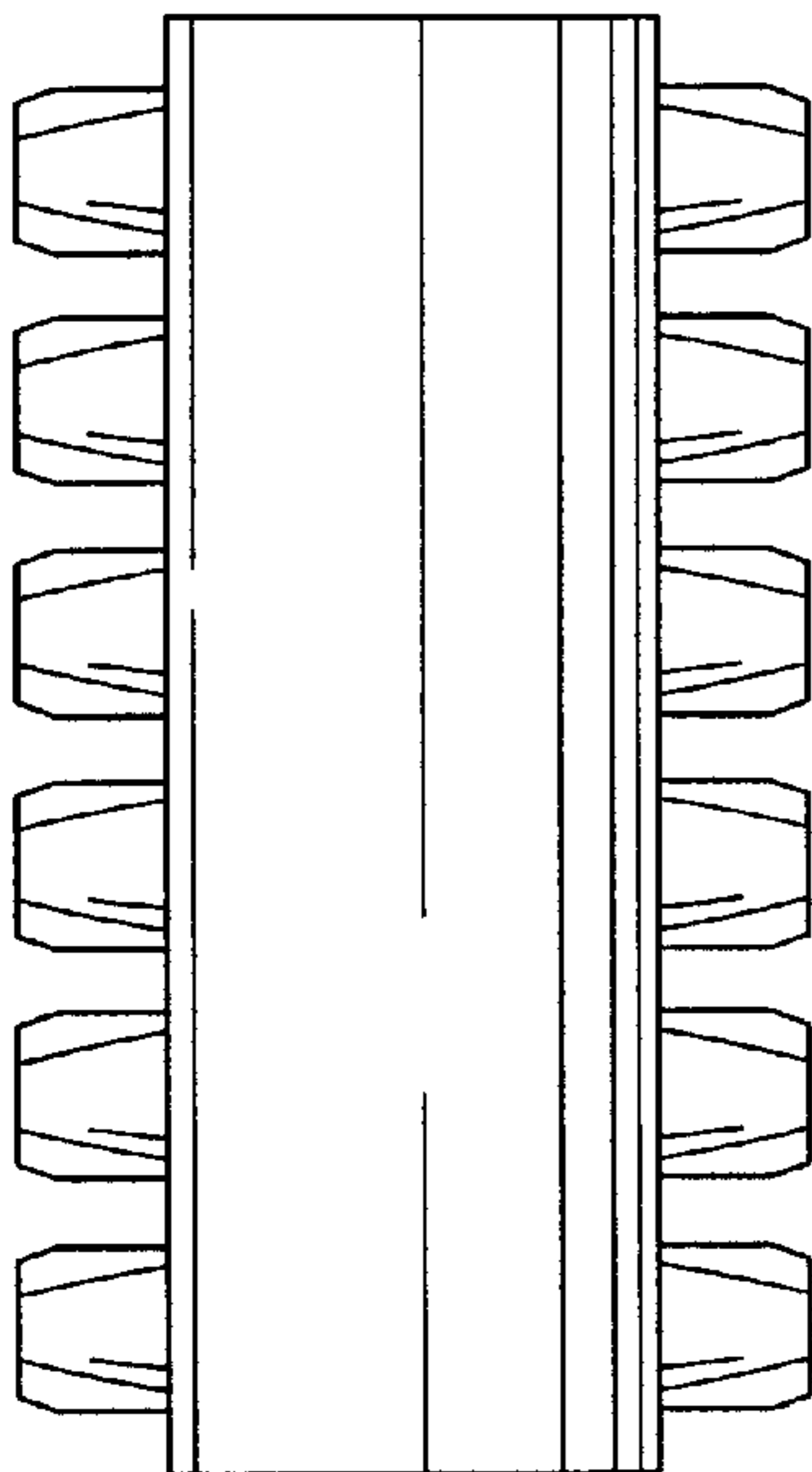
**FIG. 3**



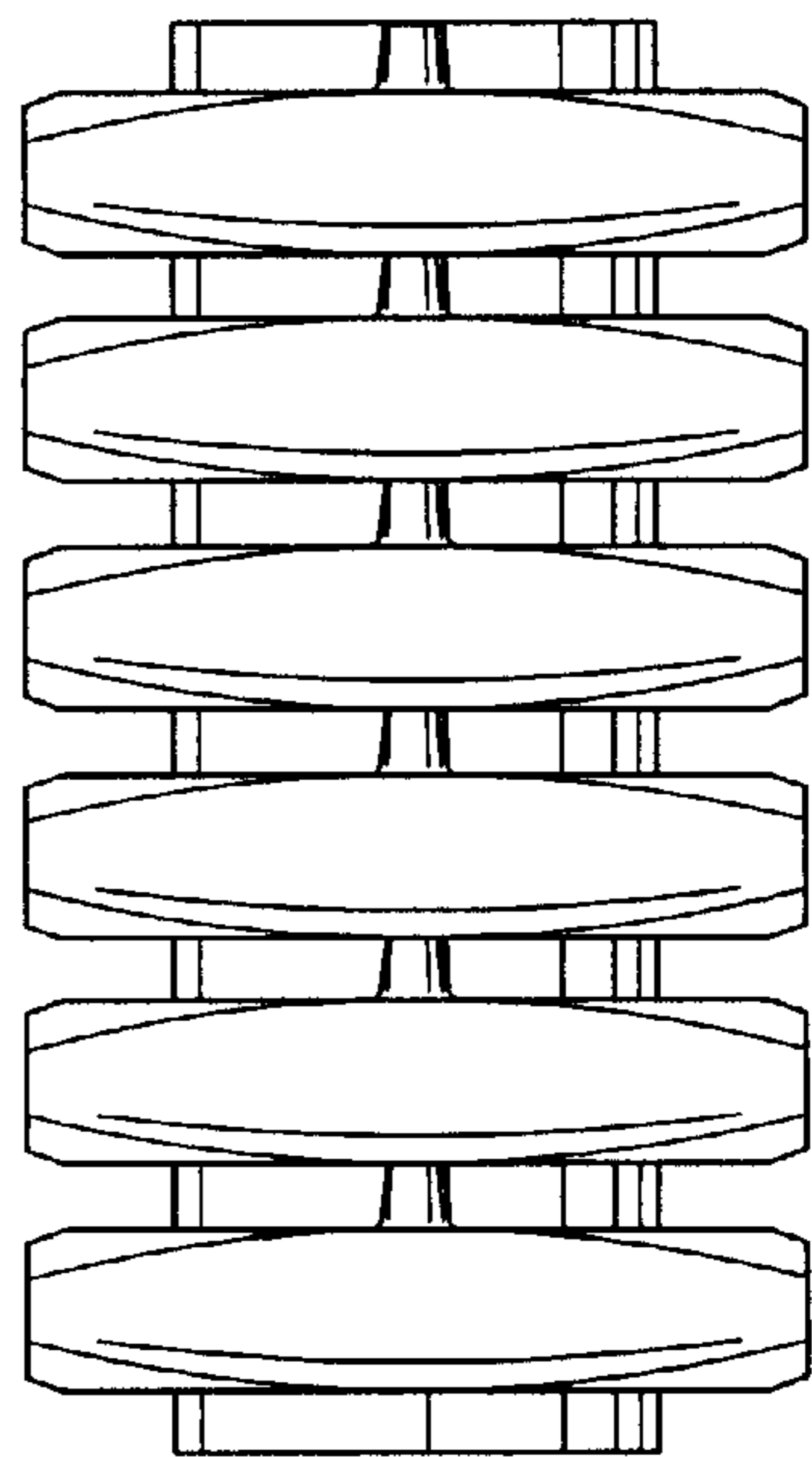
**FIG. 4**



**FIG. 5**



**FIG. 6**



**FIG. 7**