



US00D464562S

(12) **United States Design Patent**
Reiter

(10) **Patent No.:** **US D464,562 S**

(45) **Date of Patent:** **** Oct. 22, 2002**

(54) **MAGNETIC SNAP FASTENER**

FOREIGN PATENT DOCUMENTS

(75) **Inventor:** **Howard J. Reiter**, Orange, CT (US)

FR 1268582 12/1961

FR 1586926 9/1968

(73) **Assignee:** **Lodestone Fasteners, LLC**,
Woodbridge, CT (US)

GB 1519246 7/1978

JP 1283577 9/1979

JP 1431505 5/1982

(**) **Term:** **14 Years**

JP 1283577 9/1985

JP 1300876 2/1986

(21) **Appl. No.:** **29/125,297**

Primary Examiner—Alan P. Douglas

Assistant Examiner—Clare E. Heflin

(22) **Filed:** **Jun. 21, 2000**

(74) *Attorney, Agent, or Firm*—Cooper & Dunham LLP

(51) **LOC (7) Cl.** **08-08**

(52) **U.S. Cl.** **D8/382**

(58) **Field of Search** D8/349, 382; D11/200,
D11/205–220, 331; 292/251.5; 63/29.2;
335/285; 294/65.5; 24/303, 688

(57) **CLAIM**

I claim the ornamental design of a magnetic snap fastener, as shown and described.

DESCRIPTION

(56) **References Cited**

U.S. PATENT DOCUMENTS

2,397,931	A	4/1946	Ellis	
2,731,663	A	* 1/1956	Thompson	24/303
3,009,225	A	11/1961	Budreck	
3,041,697	A	7/1962	Budreck	
3,141,216	A	7/1964	Brett	
3,277,681	A	10/1966	Bey	
3,324,521	A	6/1967	Humiston	
4,021,891	A	5/1977	Morita	
D247,468	S	3/1978	Morita	
4,200,852	A	4/1980	Aoki	
4,453,294	A	6/1984	Morita	
4,736,494	A	4/1988	Marchesi	
D303,641	S	* 9/1989	Aoki	D11/220
4,941,235	A	7/1990	Aoki	
4,991,270	A	2/1991	Aoki	
5,042,116	A	8/1991	Ossiani	
5,142,746	A	9/1992	Morita	
5,152,035	A	* 10/1992	Morita	24/303
D335,266	S	* 5/1993	Morita	D11/231
D360,391	S	* 7/1995	Aoki	D11/220
D375,061	S	* 10/1996	Morita	D11/220
5,572,773	A	11/1996	Bauer	

FIG. 1 is an exploded top perspective view of a magnetic snap fastener in accordance with one embodiment of the invention;

FIG. 2 is an exploded bottom perspective view of the embodiment of FIG. 1;

FIG. 3 is a top view of the embodiment of FIG. 1;

FIG. 4 is a bottom view of the embodiment of FIG. 1;

FIG. 5 is a front exploded view of the embodiment of FIG. 1, the rear being a mirror image thereof;

FIG. 6 is a side exploded view of the embodiment of FIG. 1, the opposite side being a mirror image thereof;

FIG. 7 is an exploded top perspective view of a magnetic snap fastener in accordance with a second embodiment of the invention;

FIG. 8 is an exploded bottom perspective view of the embodiment of FIG. 7;

FIG. 9 is a top view of the embodiment of FIG. 7;

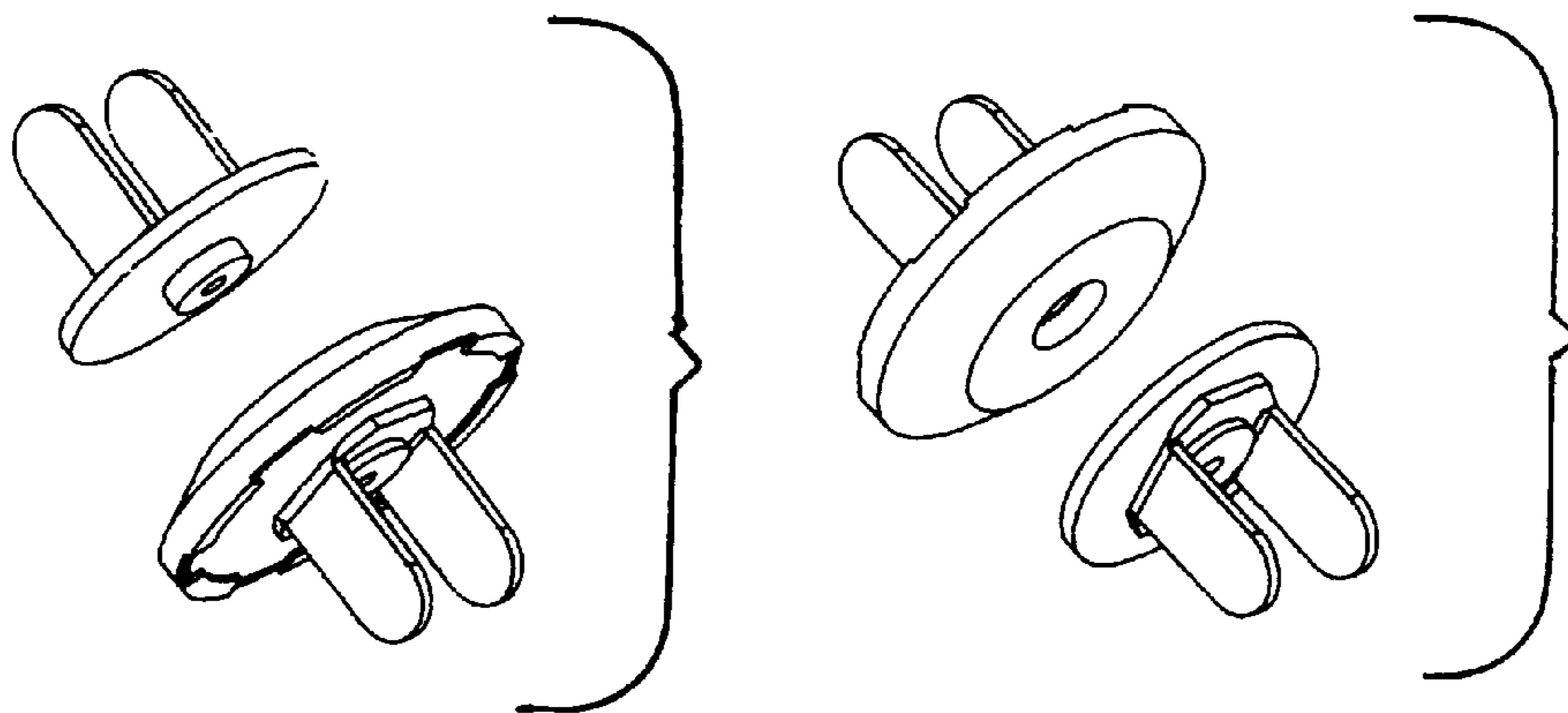
FIG. 10 is a bottom view of the embodiment of FIG. 7;

FIG. 11 is a front exploded view of the embodiment of FIG. 7, the rear being a mirror image thereof; and,

FIG. 12 is a side exploded view of the embodiment of FIG. 7, the opposite being a mirror image thereof.

(List continued on next page.)

1 Claim, 2 Drawing Sheets



US D464,562 S

Page 2

U.S. PATENT DOCUMENTS

5,675,874 A	10/1997	Chen	5,937,487 A	*	8/1999	Bauer	24/303			
D386,669 S	*	11/1997	Aoki	D8/382	5,983,464 A	*	11/1999	Bauer	24/303
5,707,091 A	1/1998	Morita	6,048,004 A	*	4/2000	Kaufman et al.	292/251.5			
5,722,126 A	3/1998	Reiter	D426,765 S	*	6/2000	Aoki	D8/382			
D400,429 S	11/1998	Morita	D431,453 S	*	10/2000	Chan	D8/382			
5,868,445 A	*	2/1999	Kaufman et al.	292/251.5	D432,400 S	*	10/2000	Chan	D8/382
D412,865 S	8/1999	Aoki	D434,644 S	*	12/2000	Aoki	D8/382			
5,933,926 A	8/1999	Reiter	6,182,336 B1	*	2/2001	Bauer	24/303			

* cited by examiner

FIGURE 1

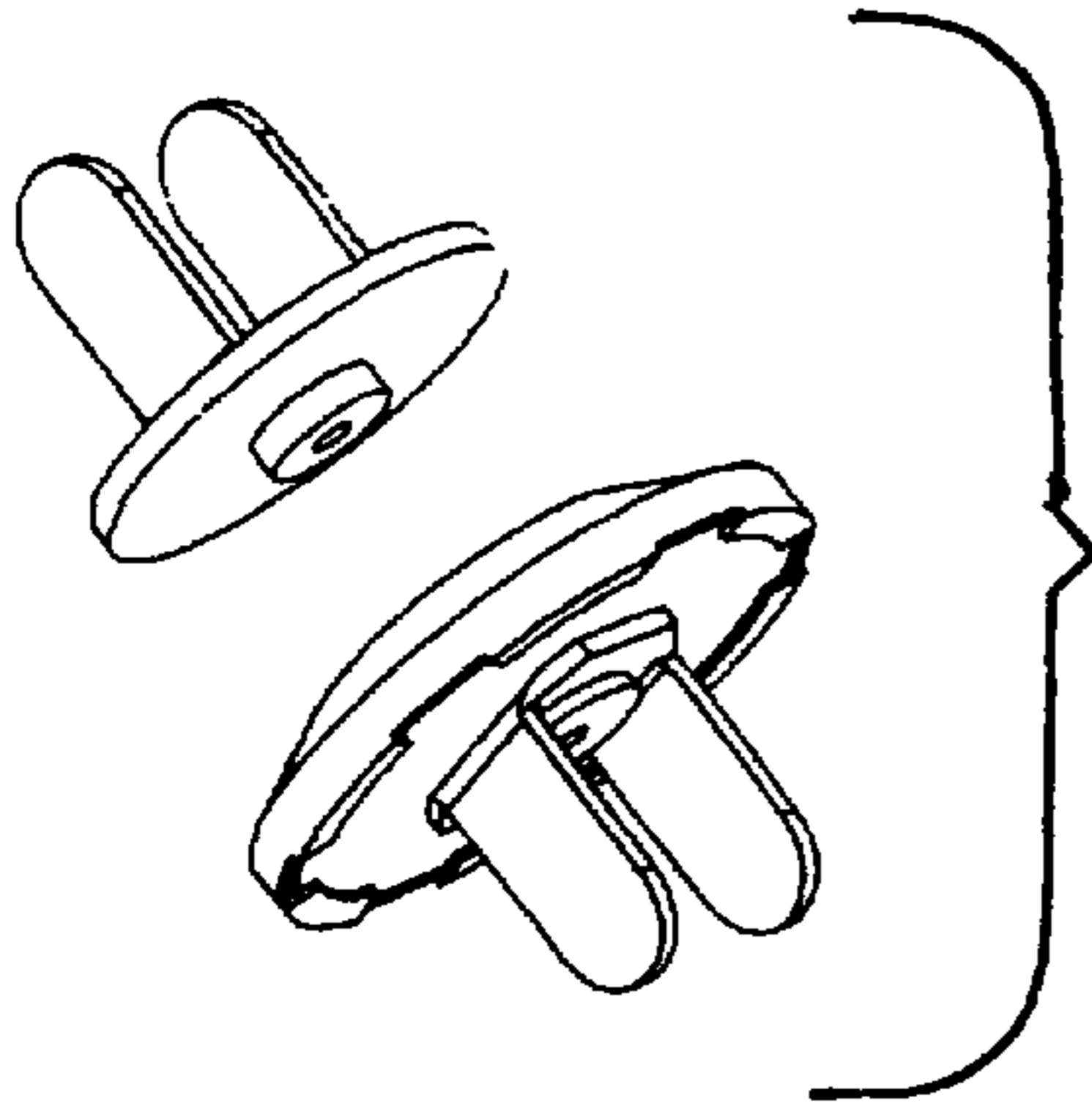


FIGURE 2

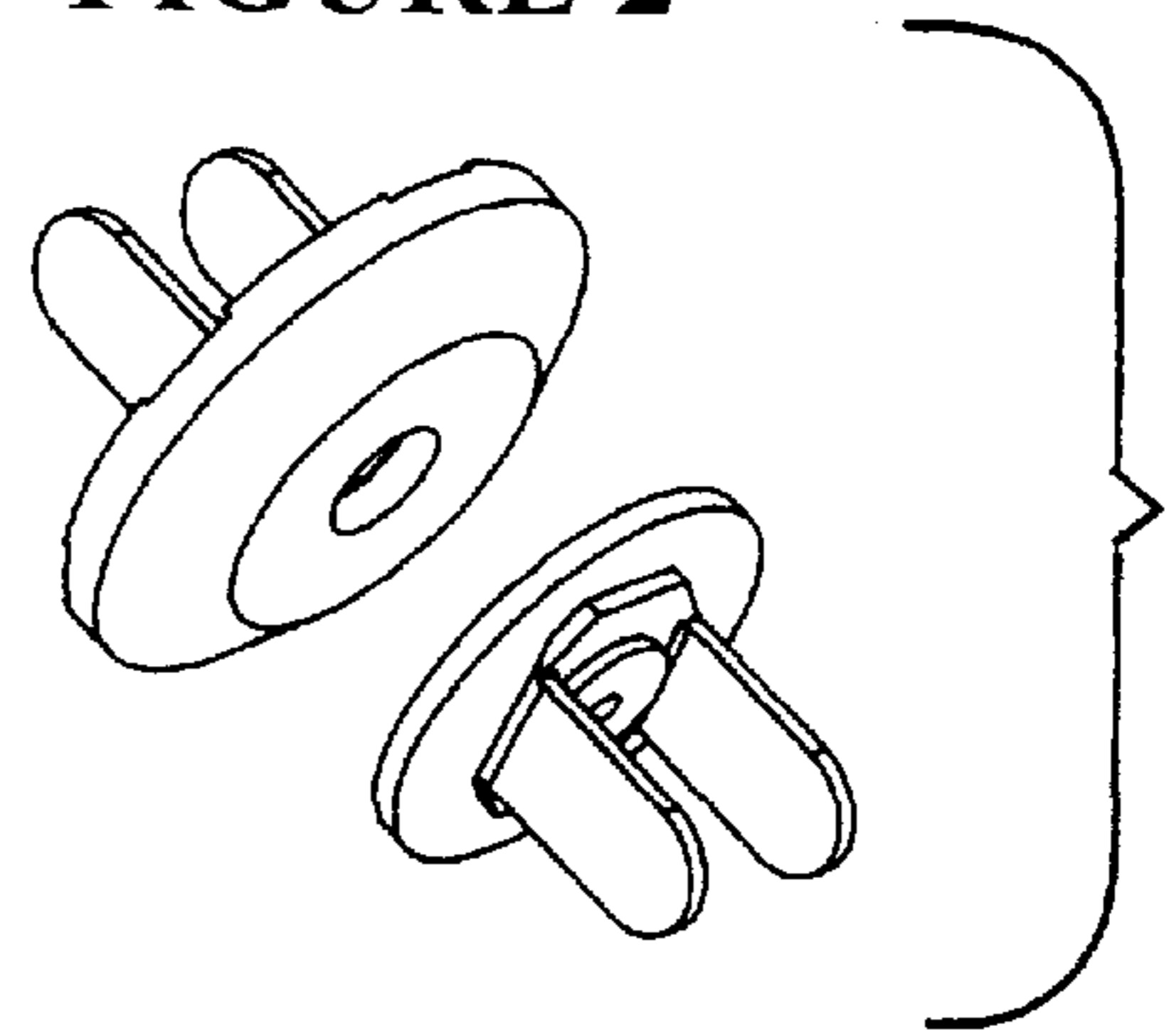


FIGURE 3

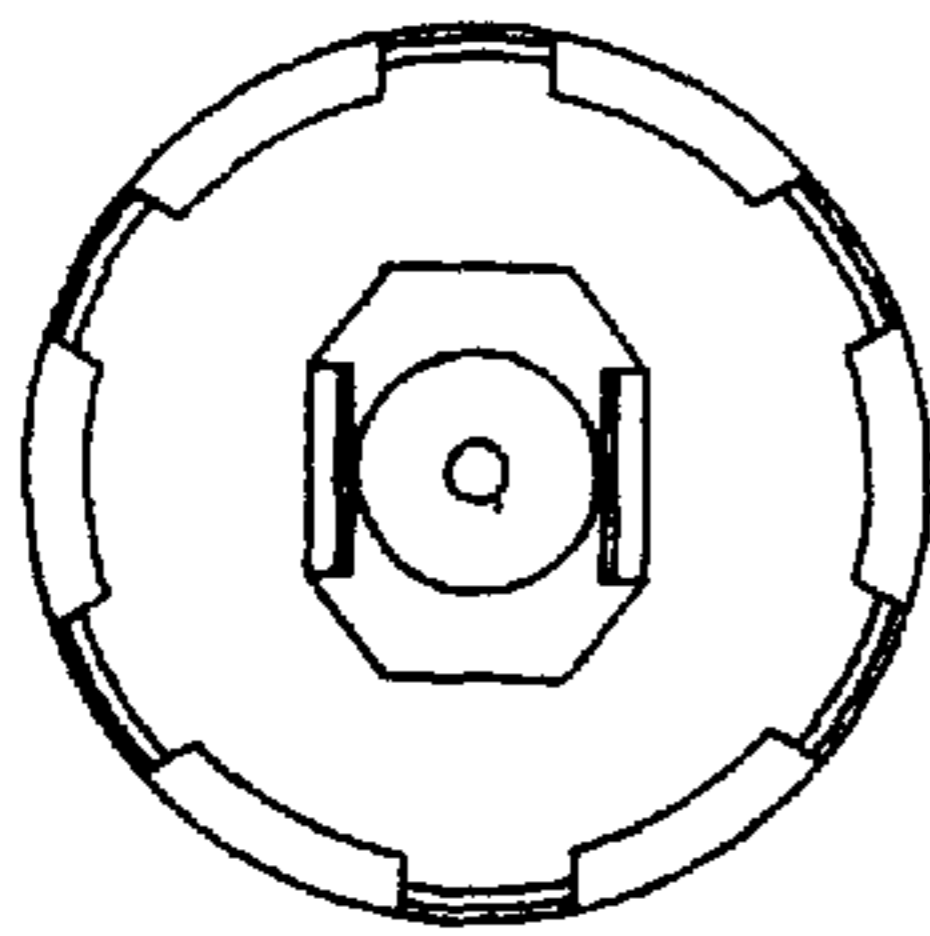


FIGURE 4

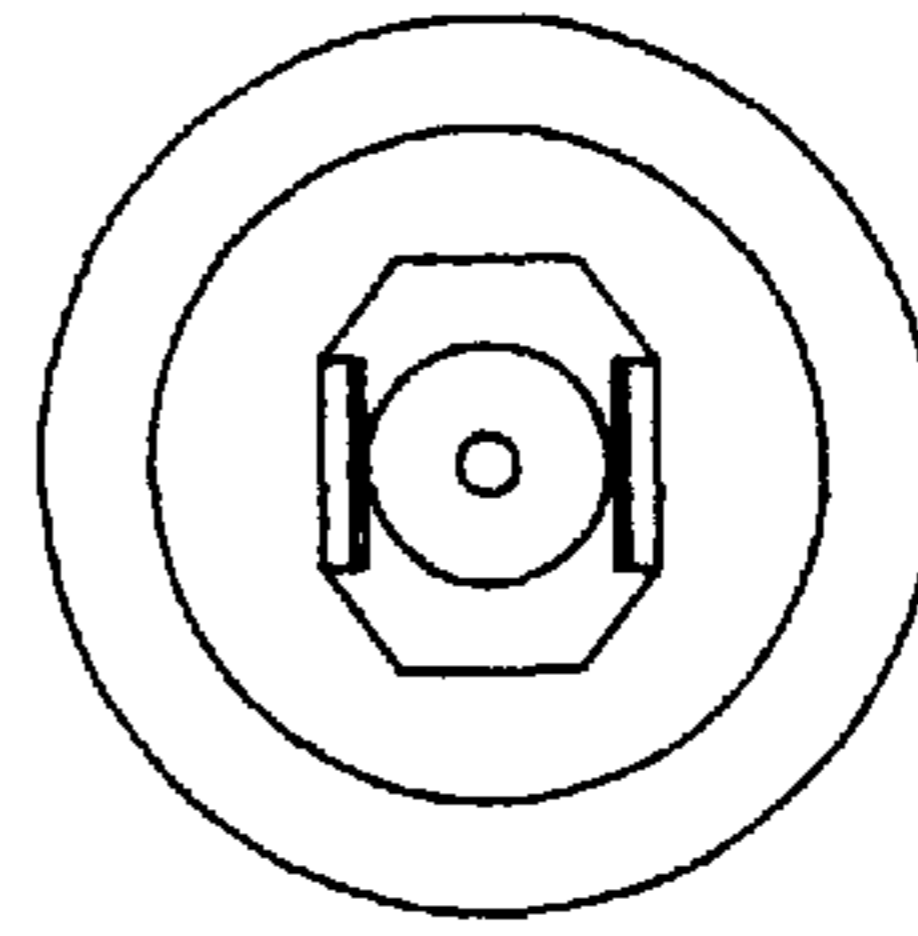


FIGURE 5

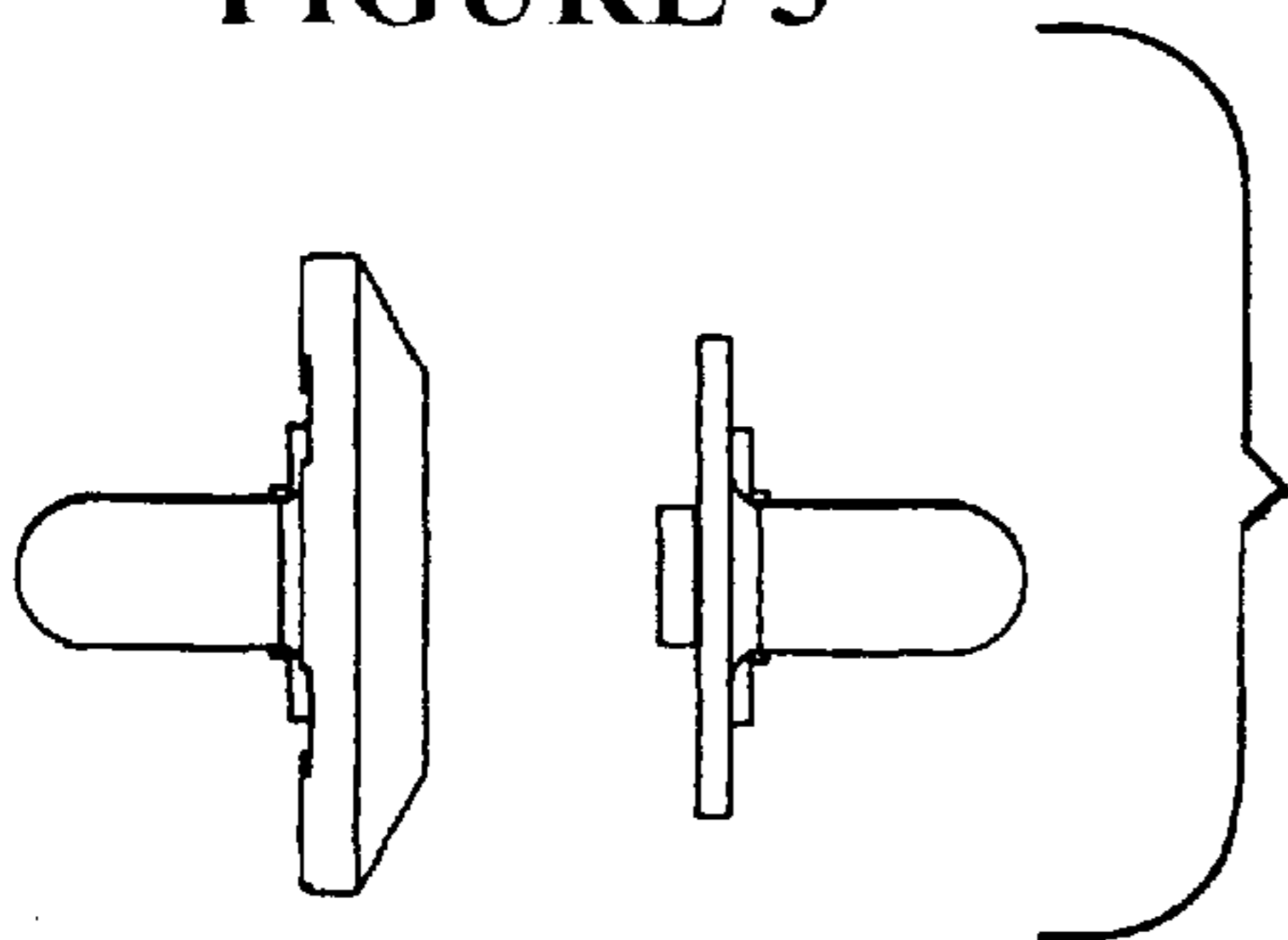


FIGURE 6

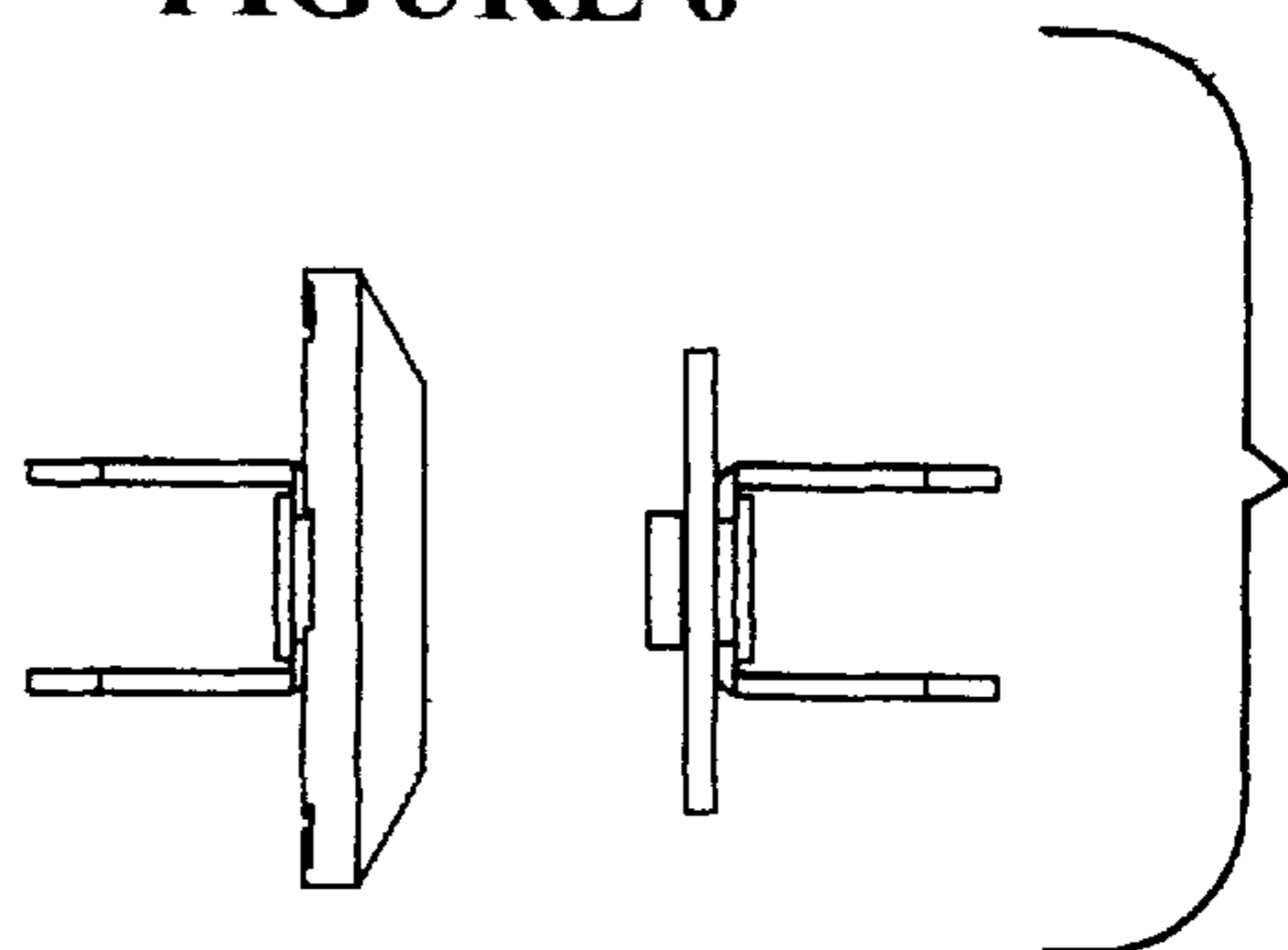


FIGURE 7

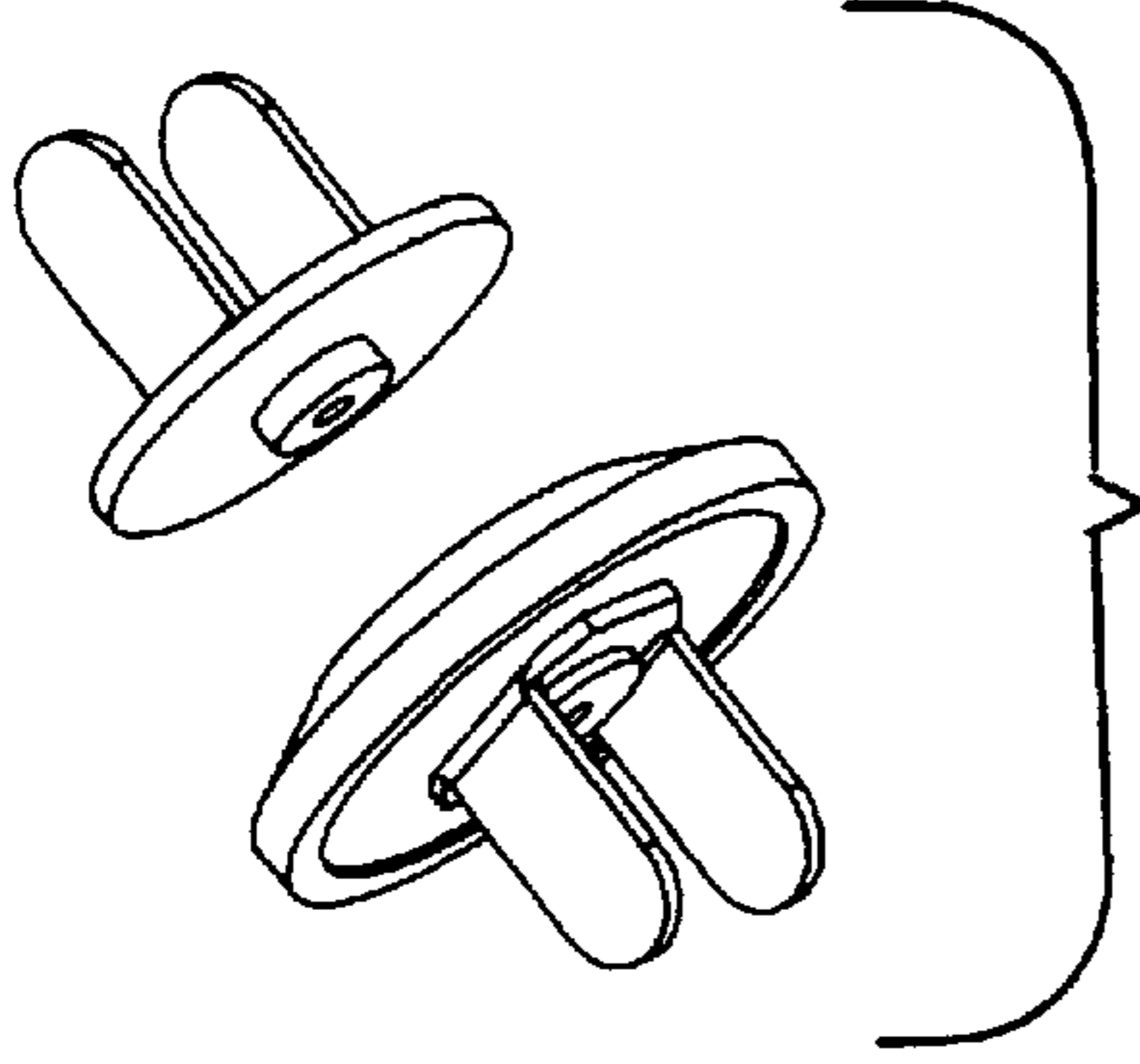


FIGURE 8

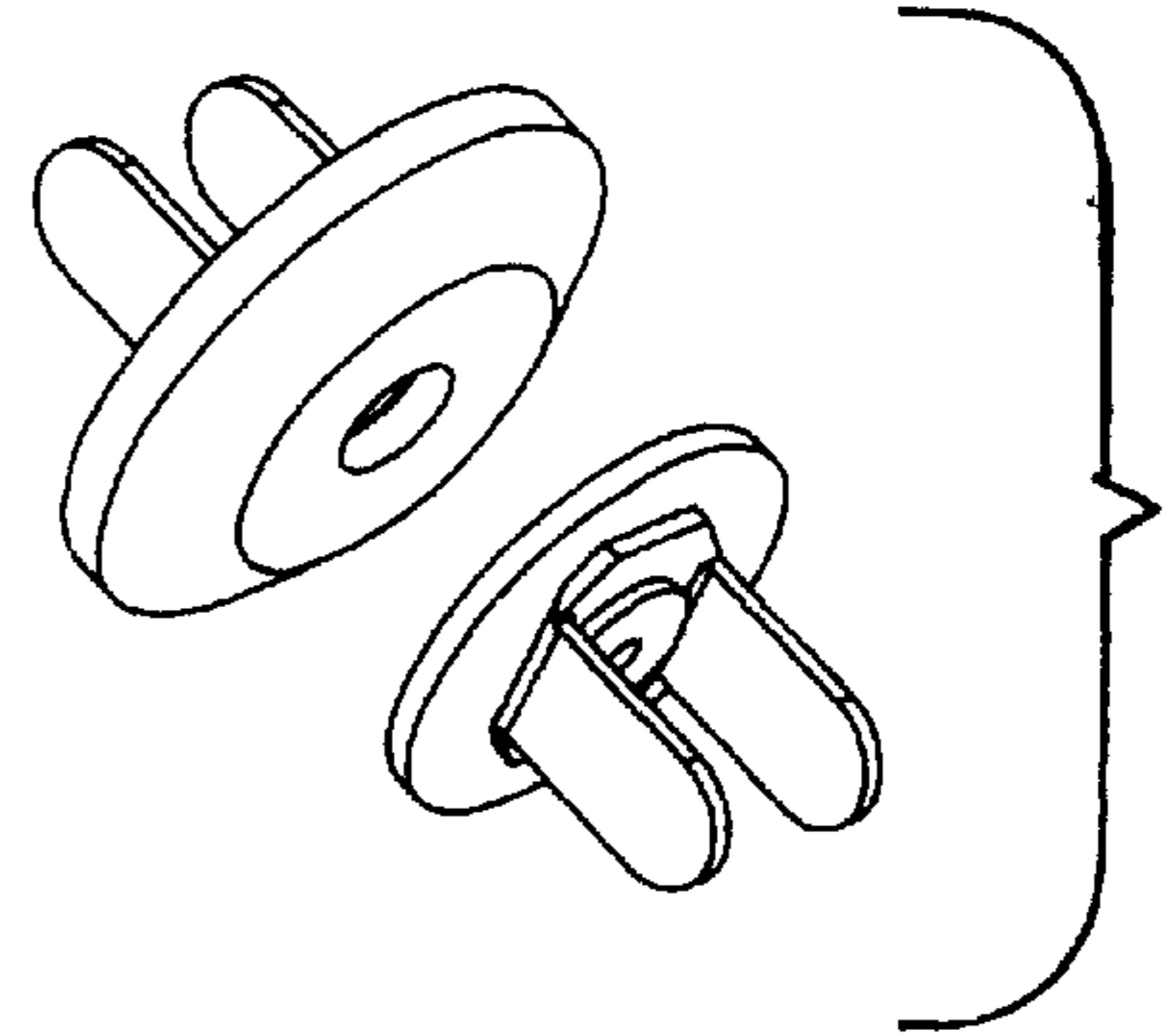


FIGURE 9

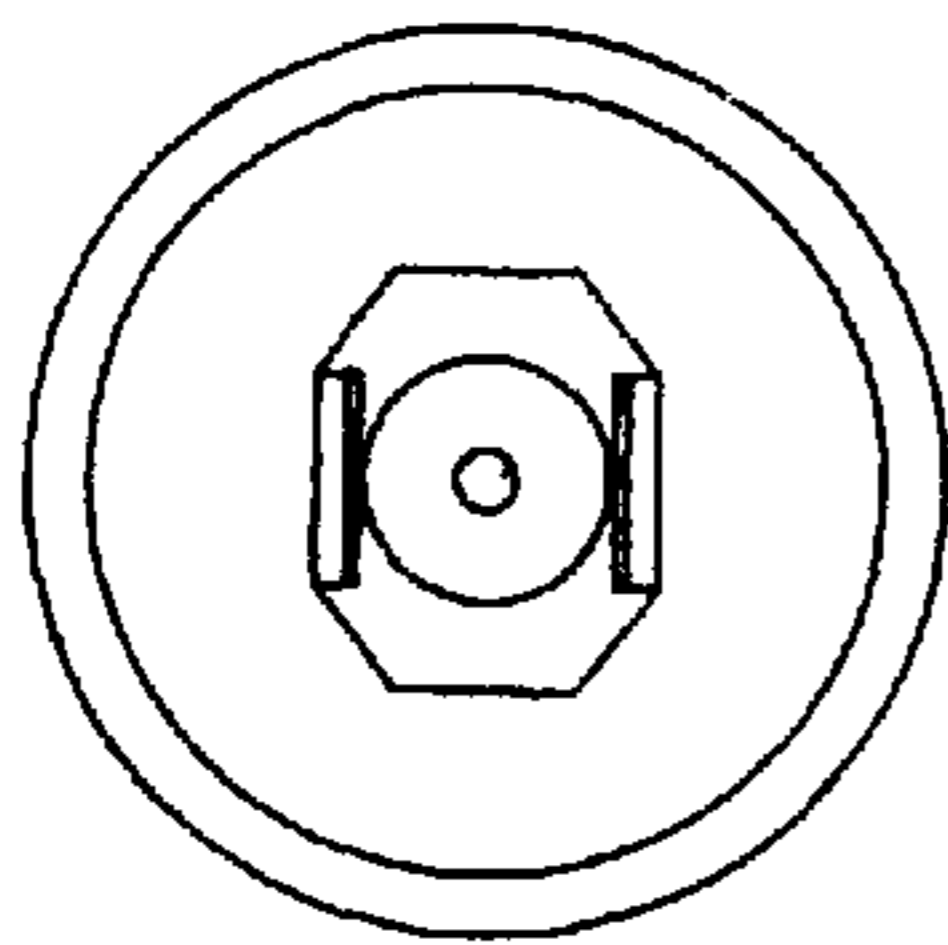


FIGURE 10

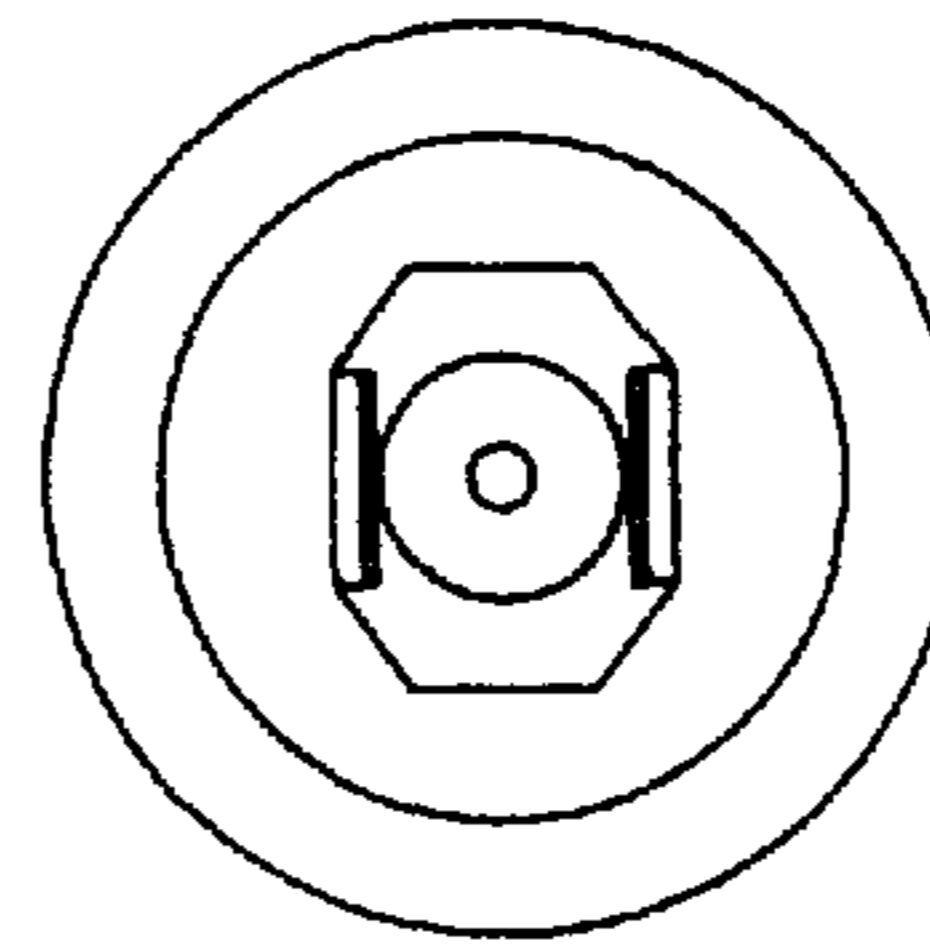


FIGURE 11

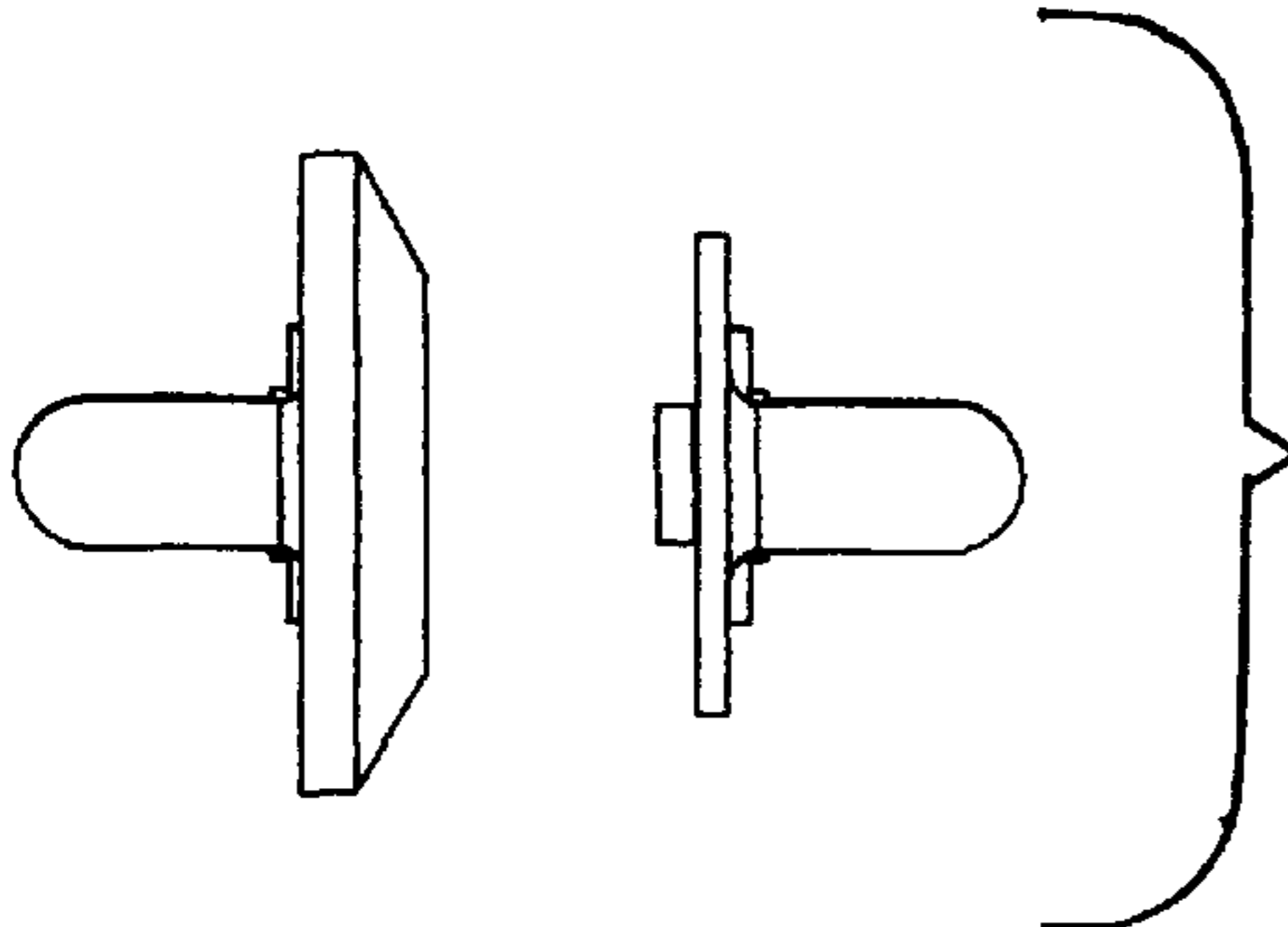


FIGURE 12

