



US00D464558S

(12) **United States Design Patent** (10) **Patent No.:** **US D464,558 S**
Trifilio (45) **Date of Patent:** **** Oct. 22, 2002**

(54) **MOUNTING APPARATUS**

(75) Inventor: **Christian R. Trifilio**, Maineville, OH (US)

(73) Assignee: **Schulte Corporation**, Cincinnati, OH (US)

(**) Term: **14 Years**

(21) Appl. No.: **29/143,430**

(22) Filed: **Jun. 13, 2001**

Related U.S. Application Data

(63) Continuation of application No. 09/483,111, filed on Jan. 14, 2000, now abandoned.

(51) **LOC (7) Cl.** **08-05**

(52) **U.S. Cl.** **D8/354**

(58) **Field of Search** D8/349, 352, 354, D8/355, 373, 376, 377, 380, 381; 211/86.01, 87.01, 85.7, 103; 248/218.4, 220.43, 221.11, 225.11, 220.21, 223.31, 223.41, 224.51, 224.7, 241, 251

(56) **References Cited**

U.S. PATENT DOCUMENTS

385,530 A	7/1888	Seyster
479,424 A	7/1892	Huff et al.
768,295 A	8/1904	Palfrey
863,068 A	8/1907	Huff et al.
2,336,604 A	12/1943	Edward et al.
2,428,073 A	9/1947	Handel
2,773,473 A	12/1956	Martin
2,872,144 A	2/1959	Hobson
2,926,877 A	3/1960	Levy
2,952,343 A	9/1960	Modrey
2,954,951 A	10/1960	Dorothea

(List continued on next page.)

OTHER PUBLICATIONS

Schulte Distinctive Storage product brochure: The Activity Organizers© 1999 Schulte Corporation (4 pgs.).

Primary Examiner—Doris V. Coles

Assistant Examiner—Elizabeth A. Albert

(74) *Attorney, Agent, or Firm*—Dinsmore & Shohl LLP

(57) **CLAIM**

The ornamental design for a mounting apparatus, as shown and described.

DESCRIPTION

FIG. 1 is a perspective view of a mounting apparatus including a support member with a mounting bracket mounted thereon and an exemplary support structure illustrated in broken lines attached to the mounting bracket;

FIG. 2 is an enlarged fragmentary perspective view of FIG. 1 with the broken line environmental structure omitted for clarity;

FIG. 3 is a front elevational view of the support member of FIG. 1;

FIG. 4 is a rear elevational view of the support member of FIG. 1;

FIG. 5 is a perspective view of the support member of FIG. 1;

FIG. 6 is an enlarged front perspective view of the mounting bracket;

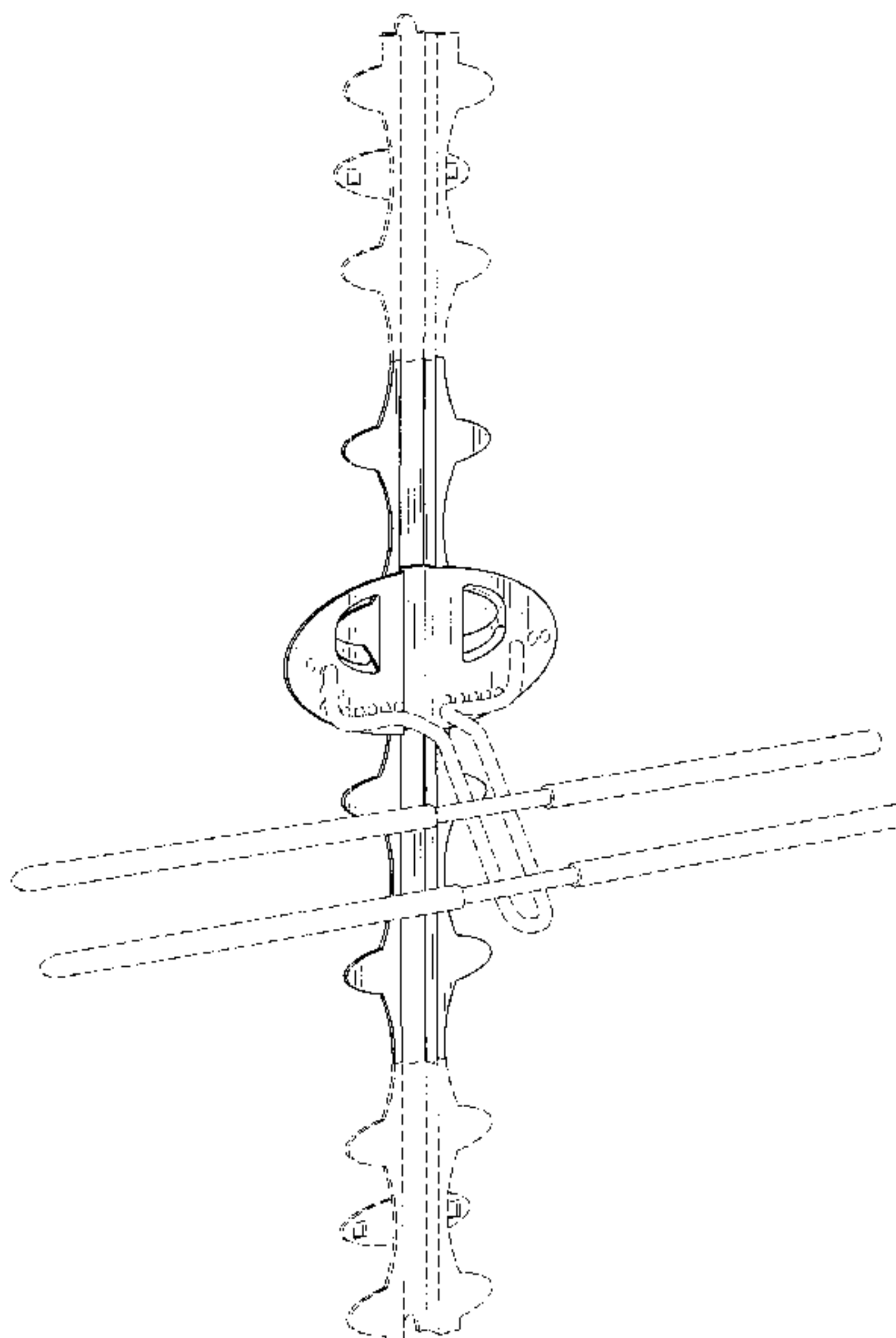
FIG. 7 is an enlarged rear perspective view of the mounting bracket;

FIG. 8 is an enlarged top plan view of the mounting bracket; and,

FIG. 9 is an enlarged side elevational view of the mounting bracket.

The broken lines shown in the figures are for illustrative purposes only and form no part of the claimed design. FIGS. 3 through 7, showing the support member and mounting bracket separately, are for clarity of illustration.

1 Claim, 7 Drawing Sheets



US D464,558 S

Page 2

U.S. PATENT DOCUMENTS					
2,997,269 A	8/1961	Urbain et al.	4,726,554 A	2/1988	Sorrell
3,003,734 A	10/1961	Davis et al.	4,852,838 A	8/1989	Field
3,045,961 A	7/1962	Cygan	4,989,822 A *	2/1991	Fannon D8/354
3,214,122 A	10/1965	Frederickson	5,101,989 A	4/1992	Jones
3,483,995 A	12/1969	Larson	5,109,992 A	5/1992	Miller
3,536,286 A	10/1970	Kramer	5,152,487 A	10/1992	Defatte et al.
3,928,894 A	12/1975	Bury et al.	5,240,213 A	8/1993	Horcher
4,155,459 A	5/1979	Marschak	5,356,104 A	10/1994	Rosenberg et al.
4,158,998 A	6/1979	Clement	5,372,344 A	12/1994	Syvuk
4,180,003 A	12/1979	Clement	5,375,802 A	12/1994	Branham, II
4,218,058 A	8/1980	Hilbert et al.	5,582,376 A	12/1996	Thompson
D265,721 S *	8/1982	Emgard et al. D8/373	5,720,460 A	2/1998	Watson
4,352,478 A	10/1982	Loew	5,887,731 A	3/1999	Thalenfeld
4,494,661 A	1/1985	Krusche	5,887,836 A	3/1999	Back
4,566,865 A	1/1986	Nishitsuji et al.	5,906,346 A	5/1999	Lin et al.
4,572,380 A	2/1986	Langwell	6,015,123 A	1/2000	Perez et al.
4,591,058 A	5/1986	Amstutz et al.	6,042,068 A	3/2000	Tcherny
4,598,504 A	7/1986	Itagaki	6,082,687 A	7/2000	Kump et al.
D286,495 S *	11/1986	Blomdahl D8/373	6,105,794 A	8/2000	Bauer
4,678,151 A	7/1987	Radek	6,119,878 A *	9/2000	Zen 248/225.11

* cited by examiner

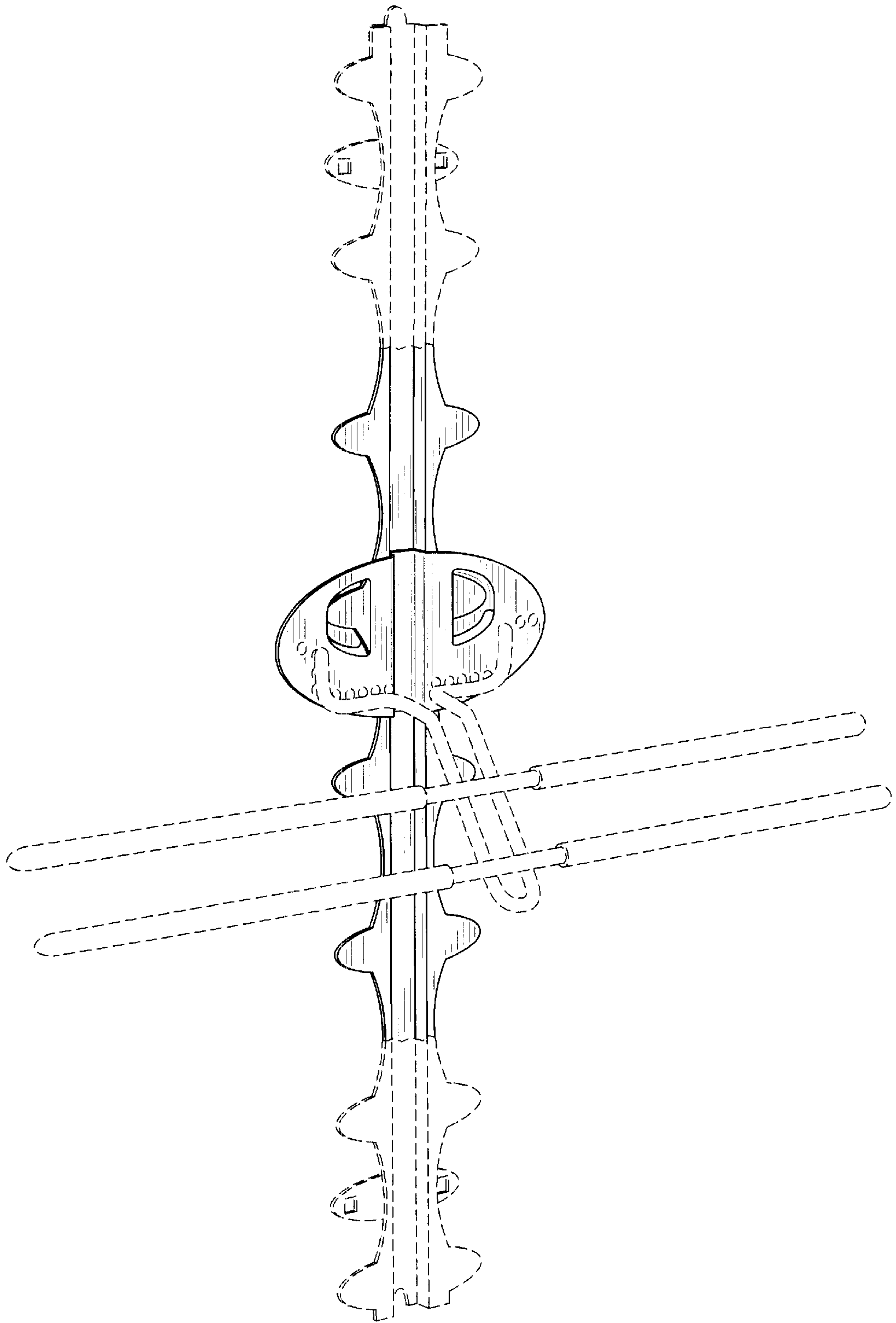


FIG. 1

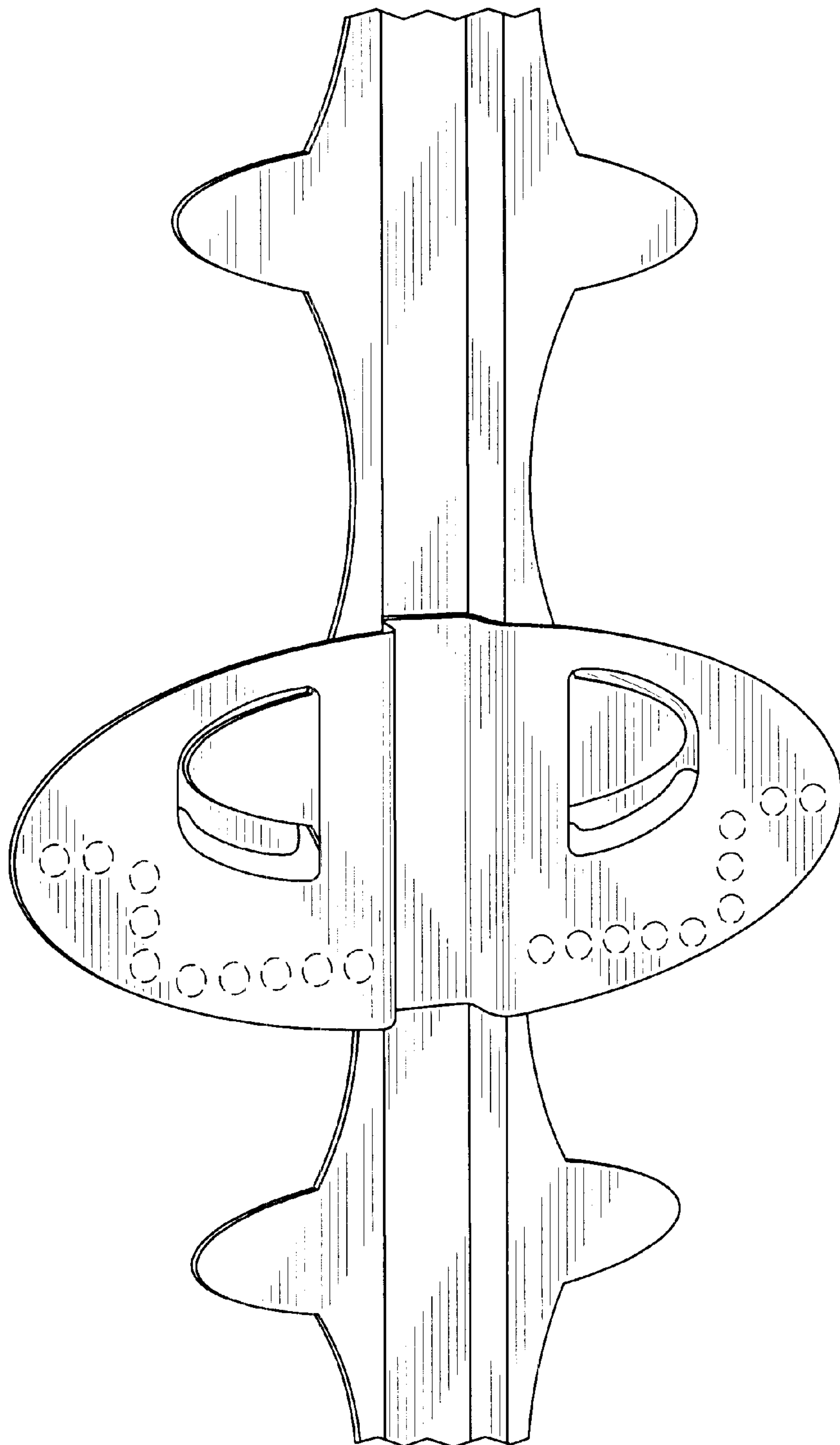


FIG. 2

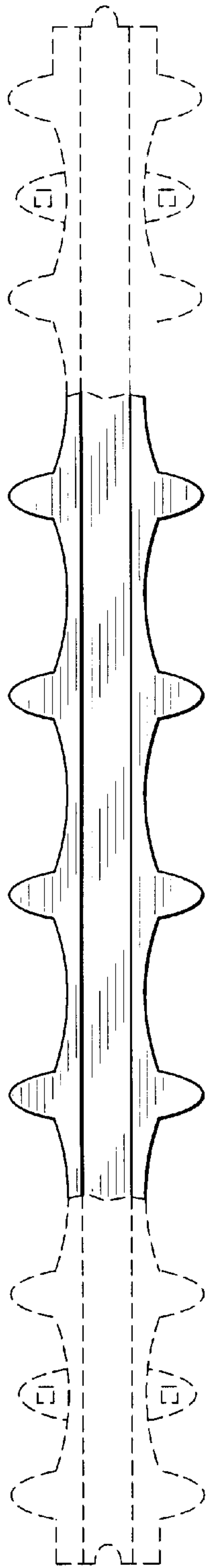


FIG. 3

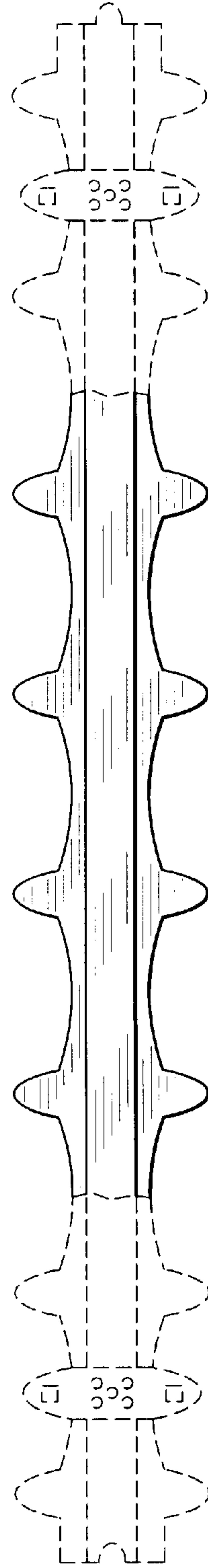


FIG. 4

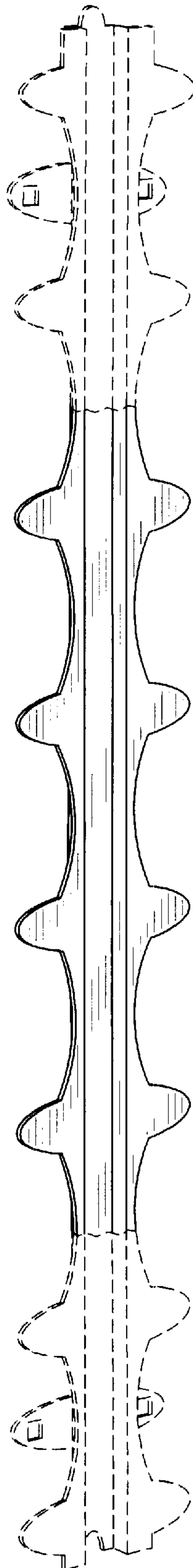


FIG. 5

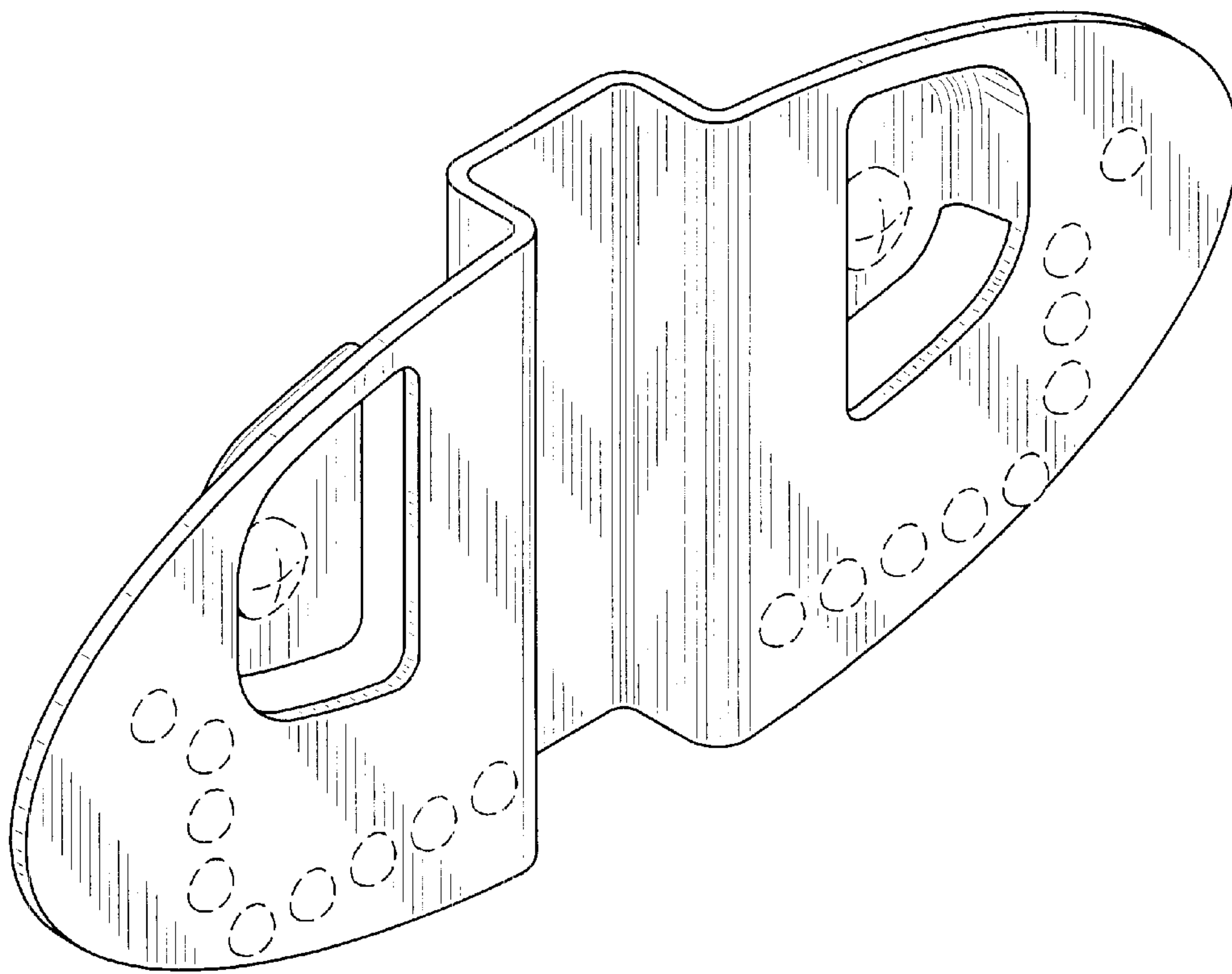


FIG. 6

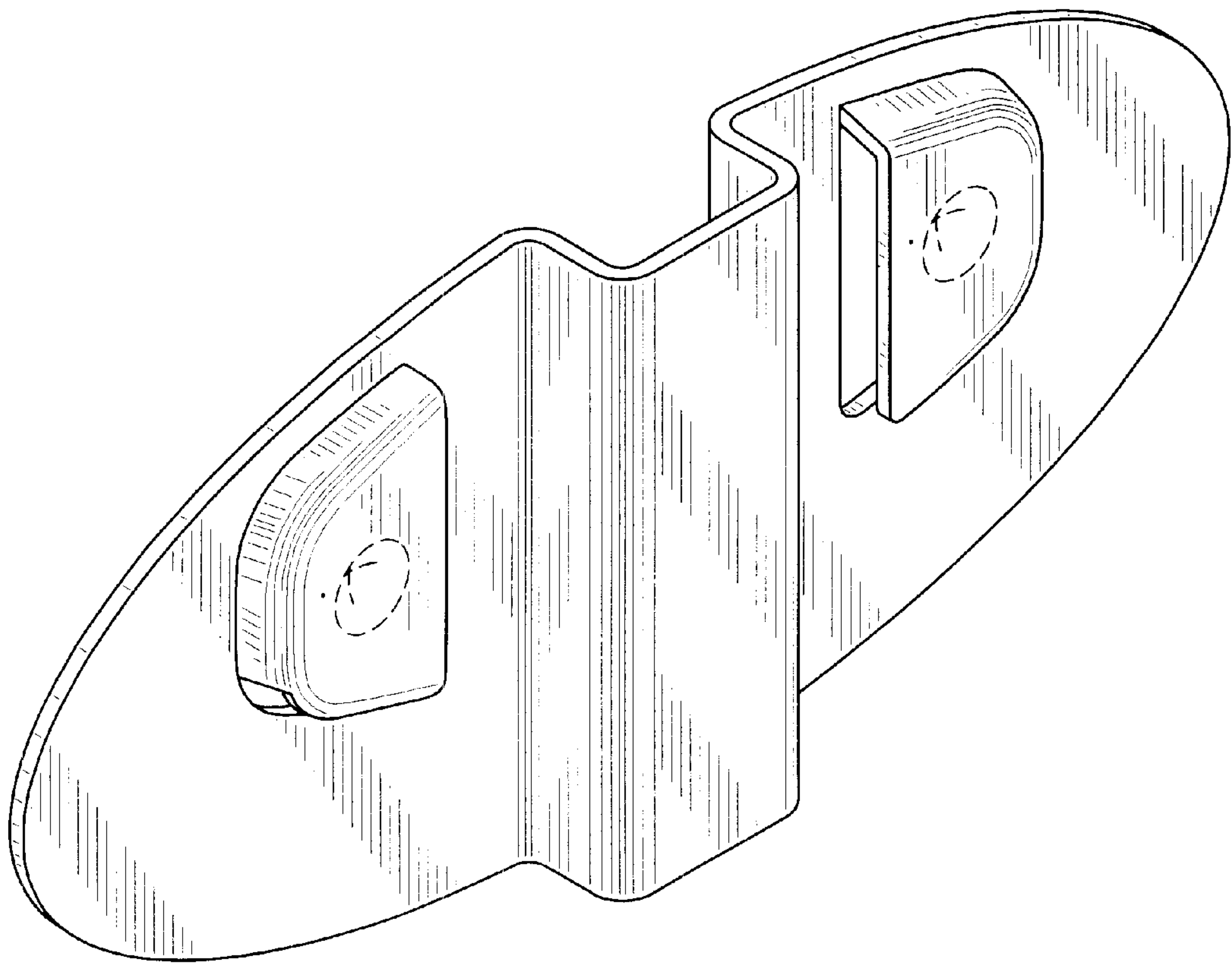


FIG. 7



FIG. 8

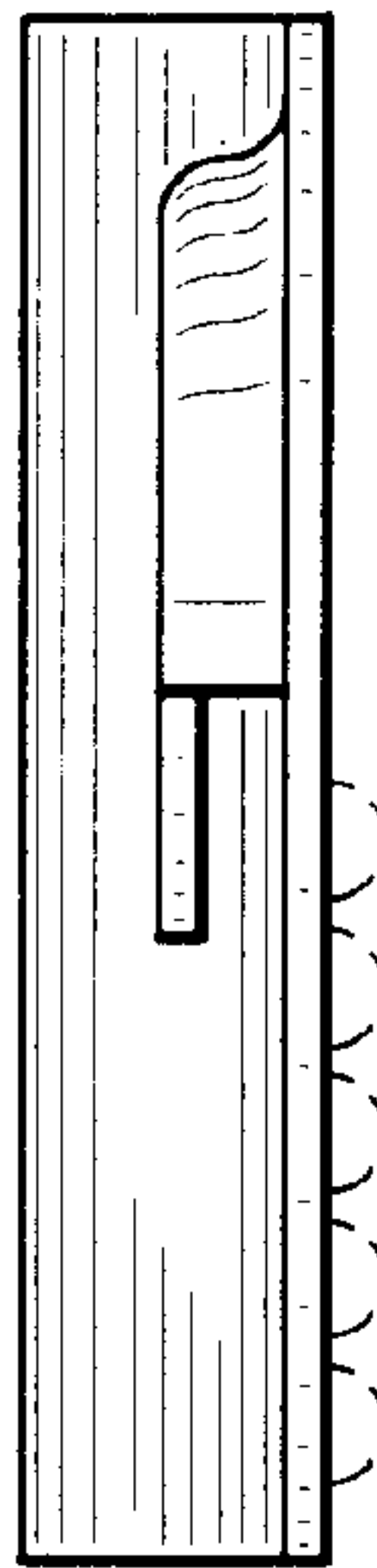


FIG. 9