



US00D464557S

(12) **United States Design Patent**
Alejandro

(10) **Patent No.:** **US D464,557 S**

(45) **Date of Patent:** **** Oct. 22, 2002**

(54) **CABLE END FITTING**

(75) **Inventor:** **Frank Alejandro**, Spring, TX (US)

(73) **Assignee:** **Capro, Inc.**, Willis, TX (US)

(**) **Term:** **14 Years**

(21) **Appl. No.:** **29/149,775**

(22) **Filed:** **Oct. 16, 2001**

(51) **LOC (7) Cl.** **08-08**

(52) **U.S. Cl.** **D8/349**

(58) **Field of Search** D8/349, 354, 355,
D8/356, 357, 373, 380; D13/154, 155;
D15/11, 12, 17, 28; 74/502.4, 502.5, 502.6,
501.5 R; 248/49, 56, 63, 65; 403/257, 294,
315, 319, 329

(56) **References Cited**

U.S. PATENT DOCUMENTS

5,582,074 A	*	12/1996	Kelley et al.	74/502.4
D402,184 S	*	12/1998	Smith	D8/349
5,911,790 A	*	6/1999	Bates et al.	74/502.6
6,290,190 B1	*	9/2001	Kendall	248/65

* cited by examiner

Primary Examiner—Stacia Cadmus

Assistant Examiner—Elizabeth A. Albert

(74) *Attorney, Agent, or Firm*—Jenkins & Gilchrist, A Professional Corporation

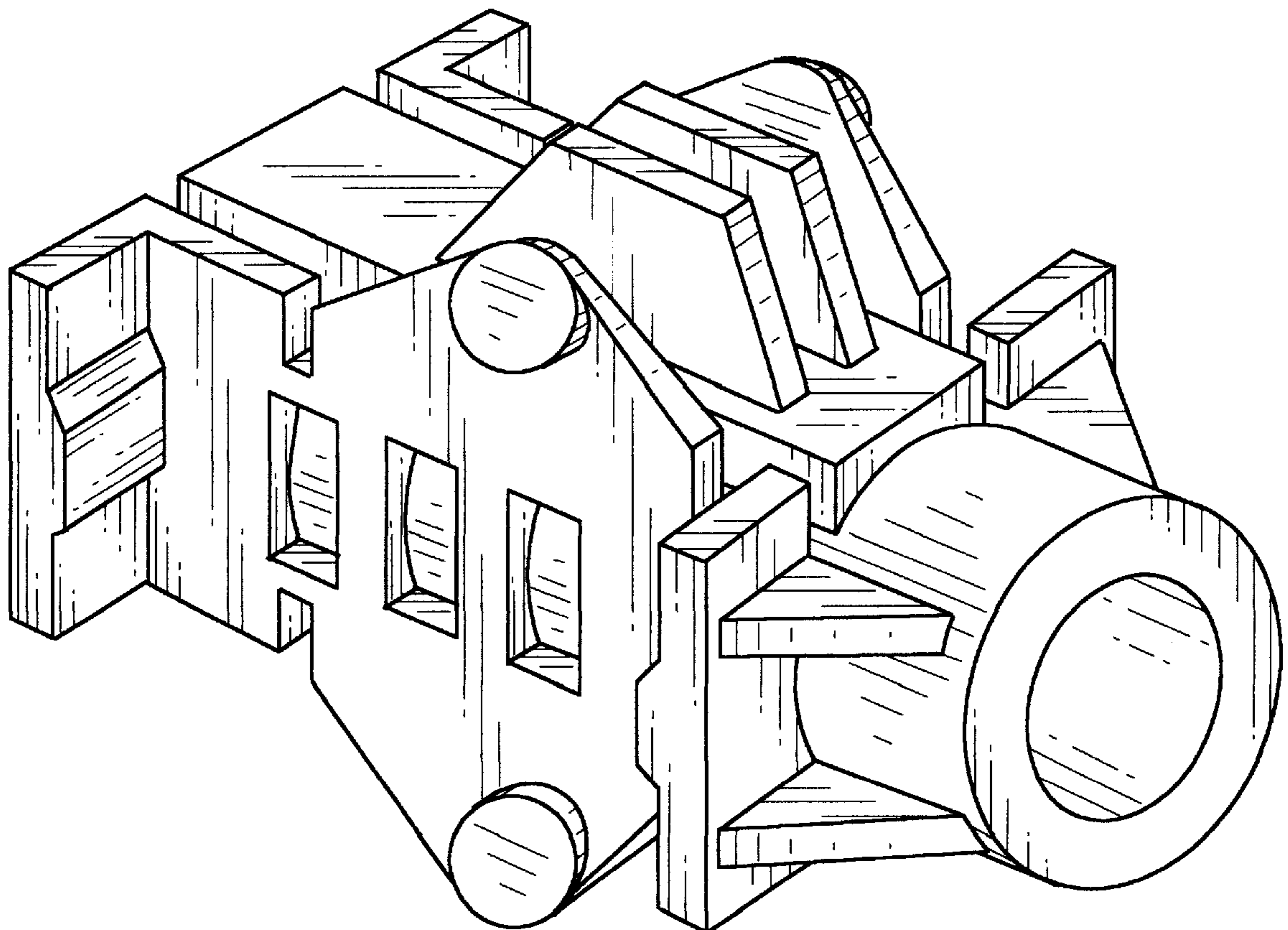
(57) **CLAIM**

The ornamental design for a cable end fitting, as shown and described.

DESCRIPTION

FIG. 1 is a right front perspective view of a cable end fitting showing my new design;
 FIG. 2 is a top plan view of FIG. 1 on a reduced scale;
 FIG. 3 is a left side elevational view of FIG. 1 on a reduced scale;
 FIG. 4 is a rear elevational view of FIG. 1 on a reduced scale;
 FIG. 5 is a front elevational view of FIG. 1 on a reduced scale;
 FIG. 6 is a right side elevational view of FIG. 1 on a reduced scale; and,
 FIG. 7 is a bottom plan view of FIG. 1 on a reduced scale.

1 Claim, 4 Drawing Sheets



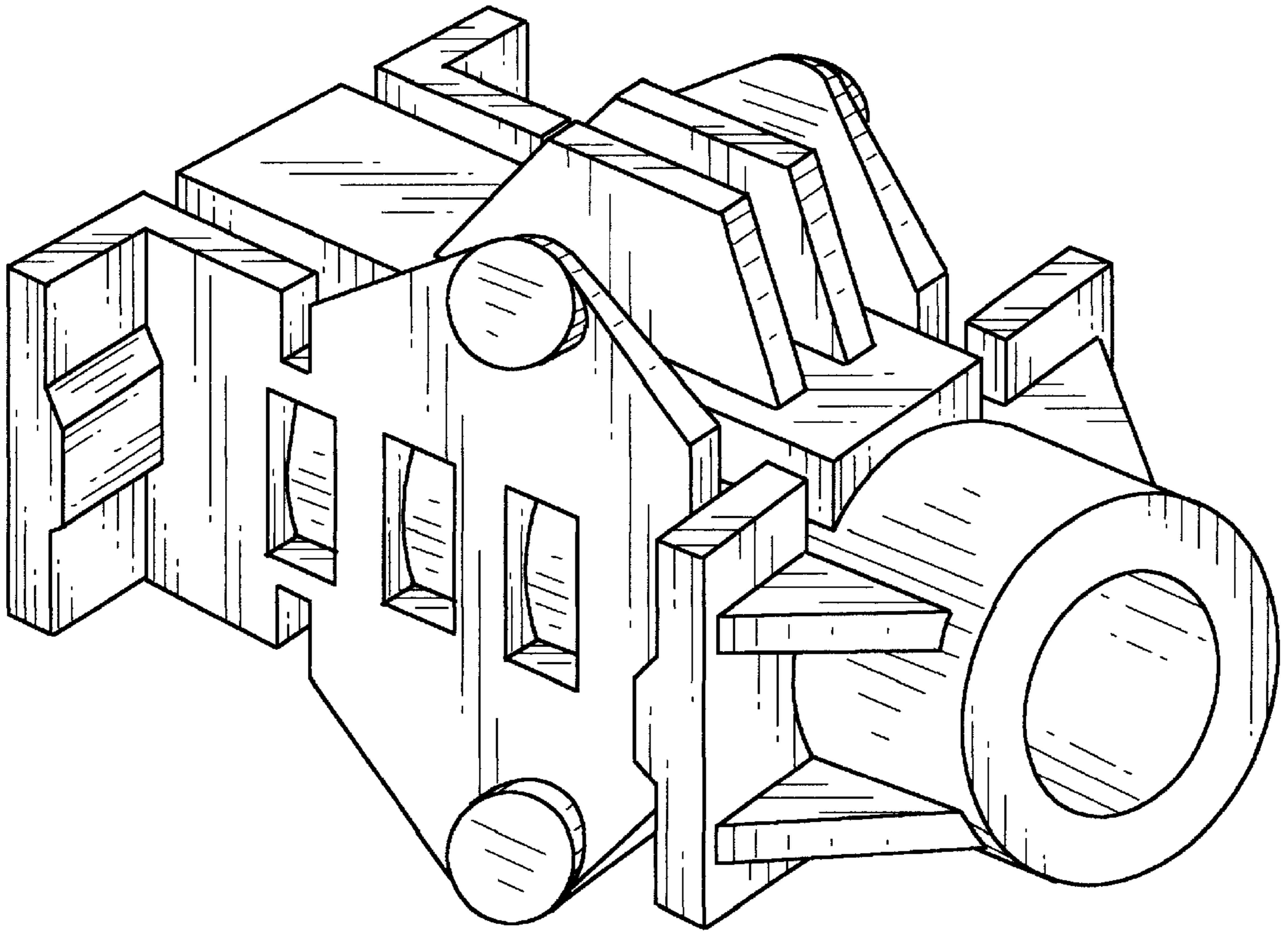


Fig. 1

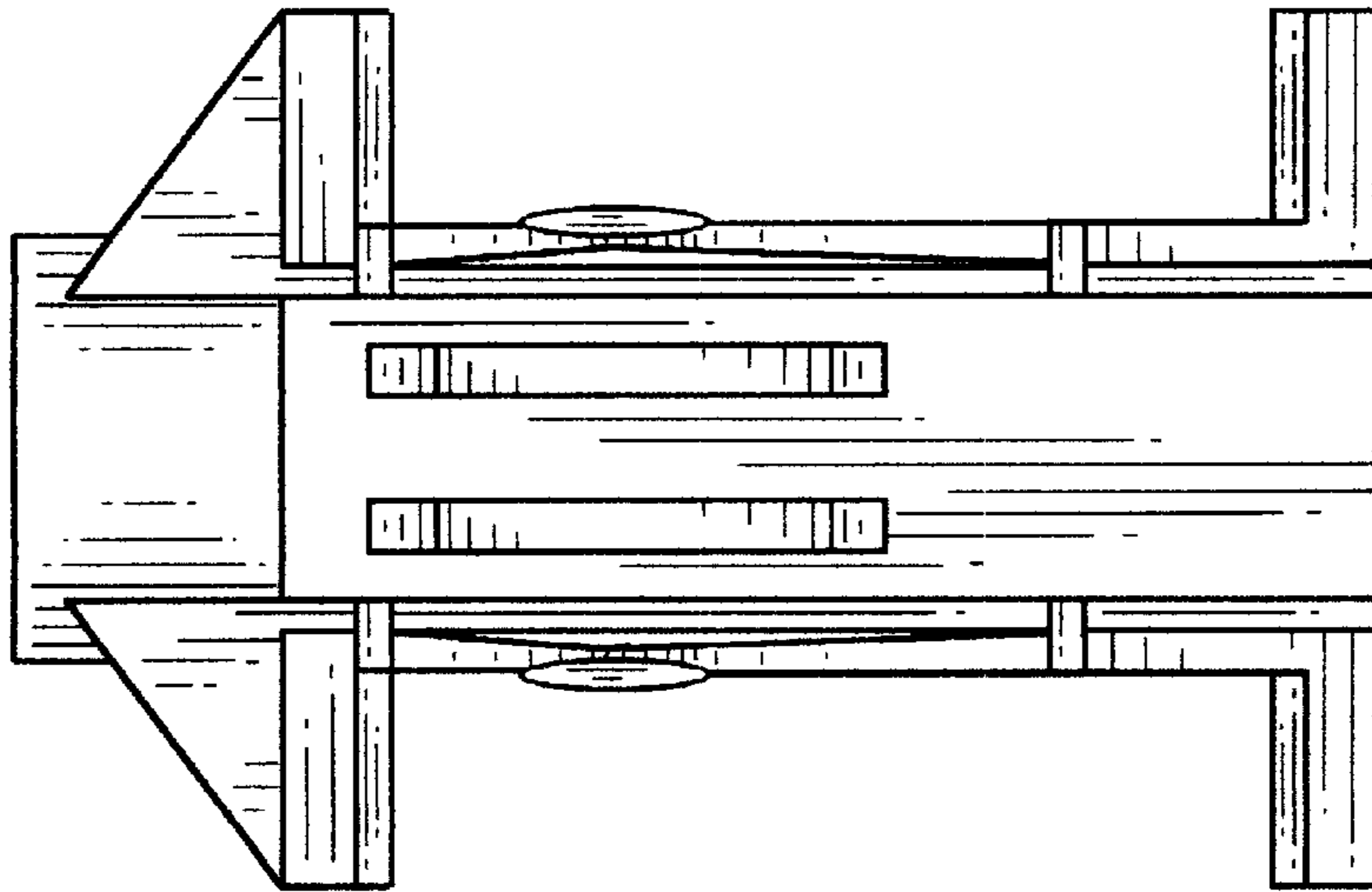


Fig. 2

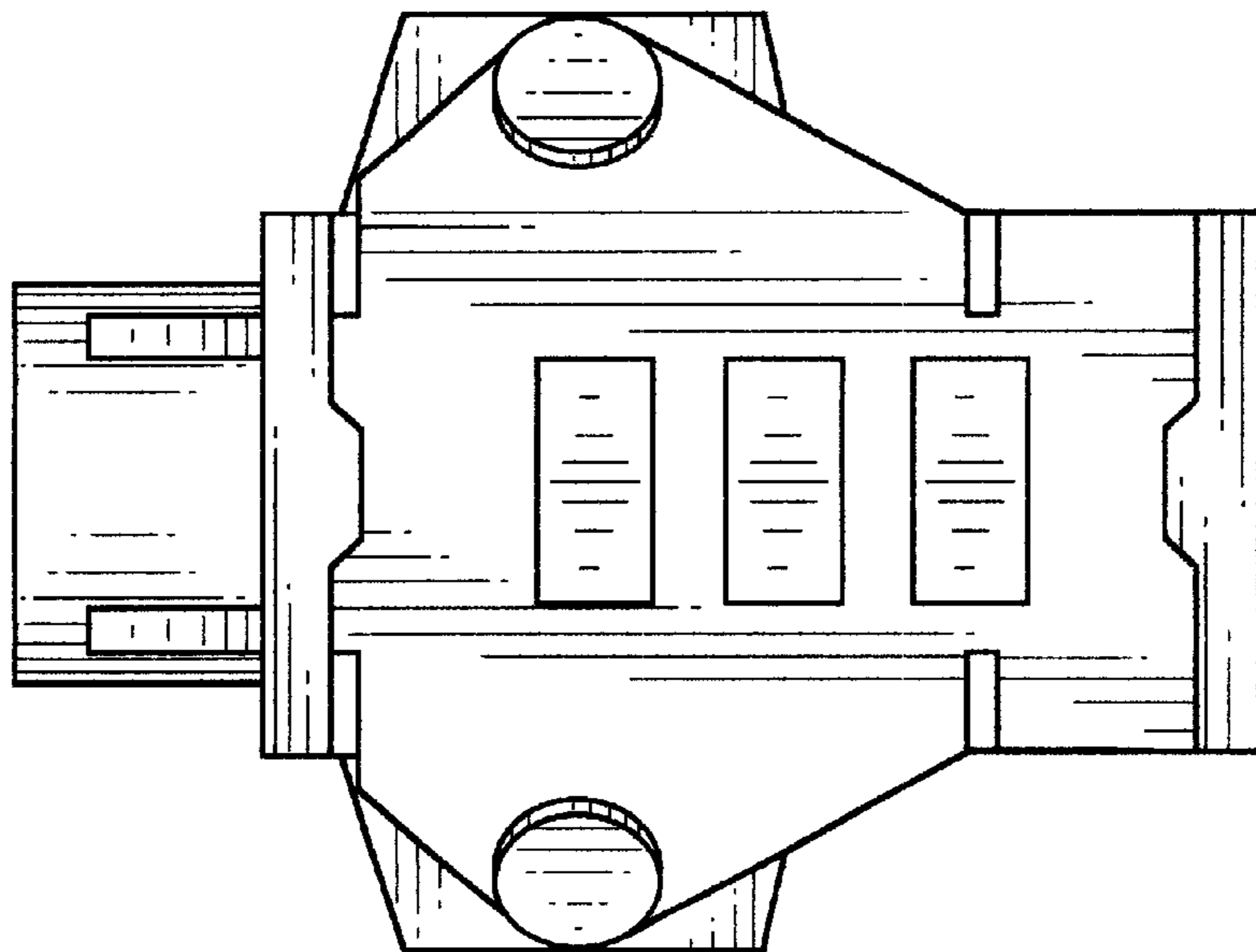


Fig. 3

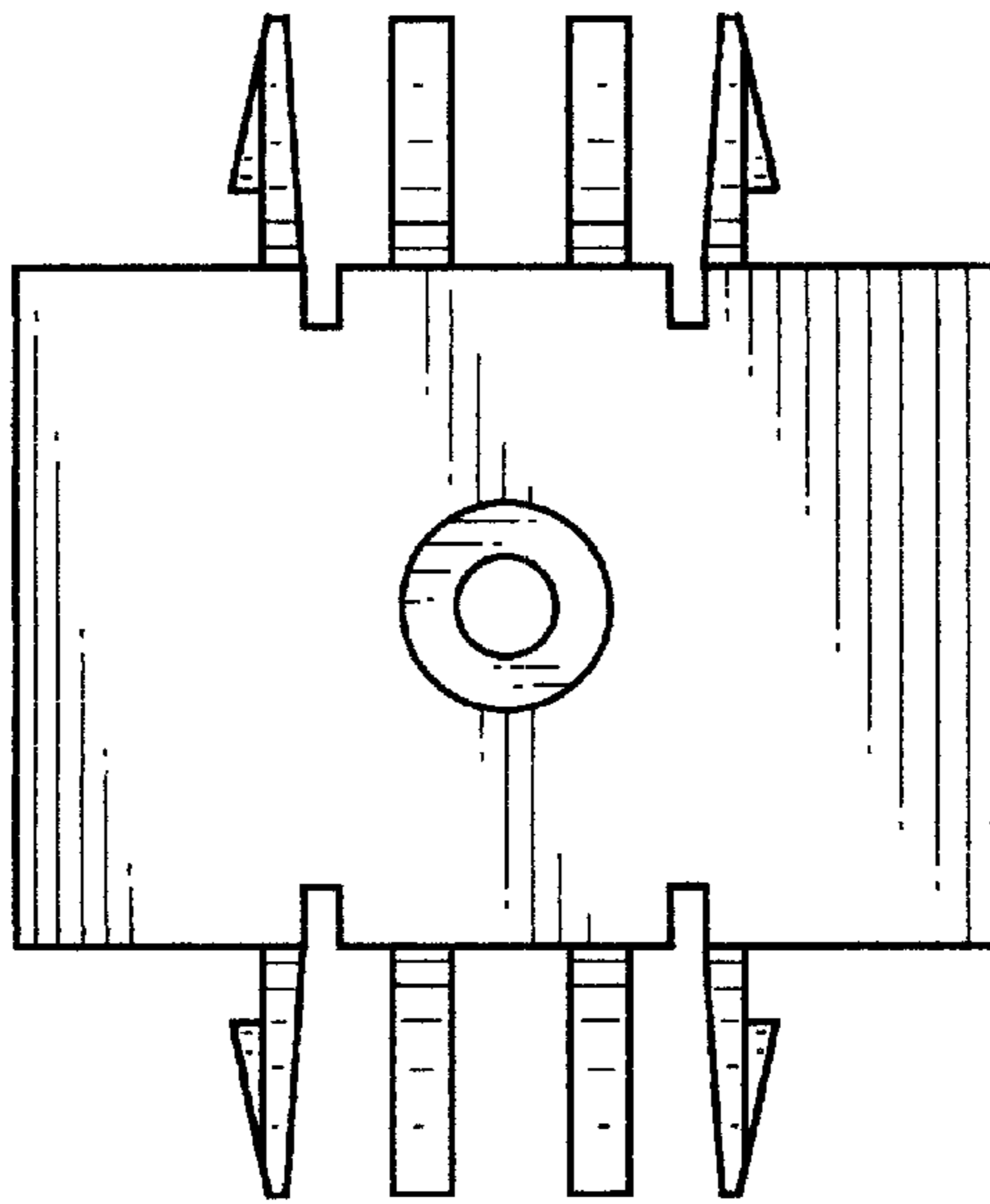


Fig. 4

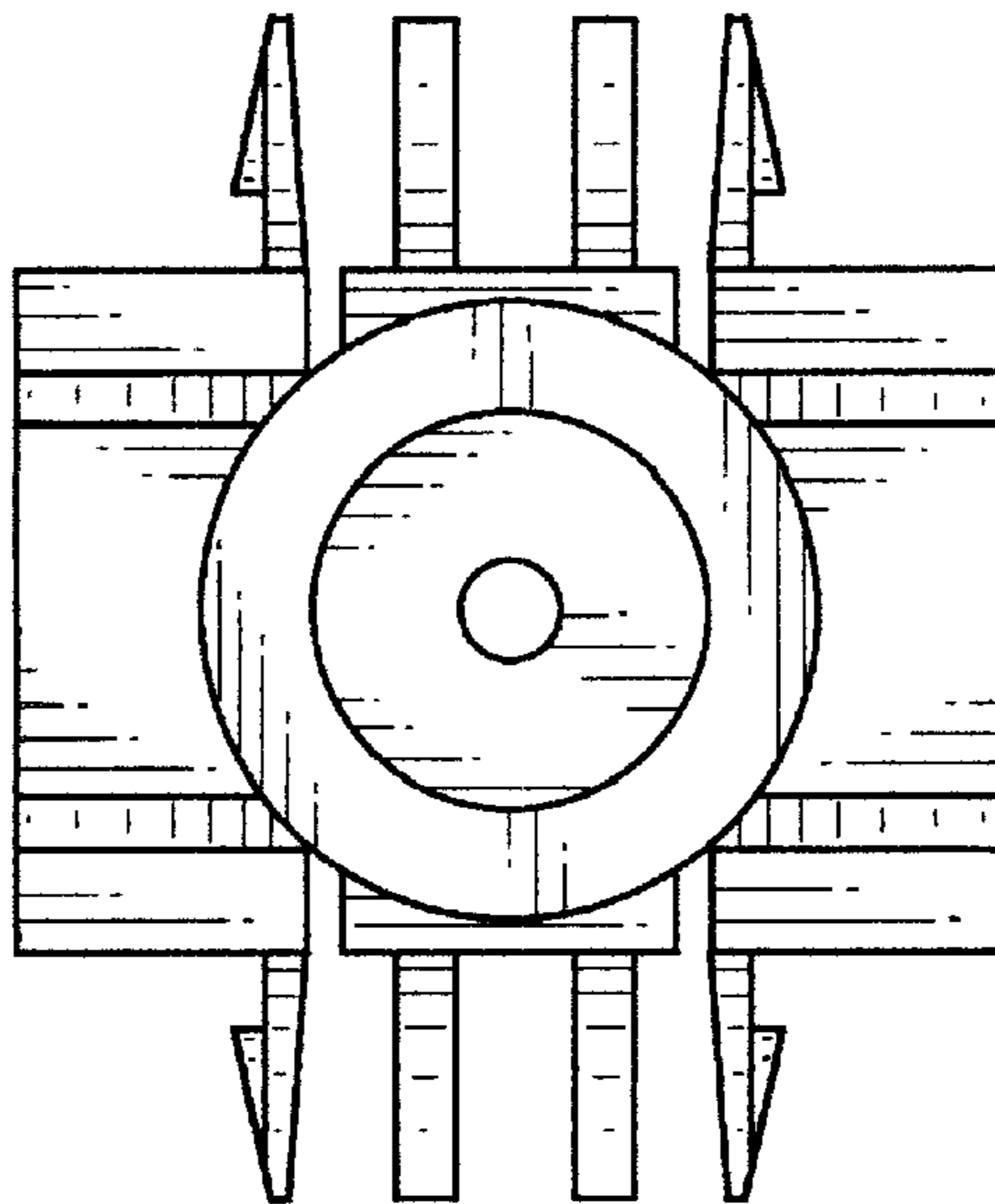


Fig. 5

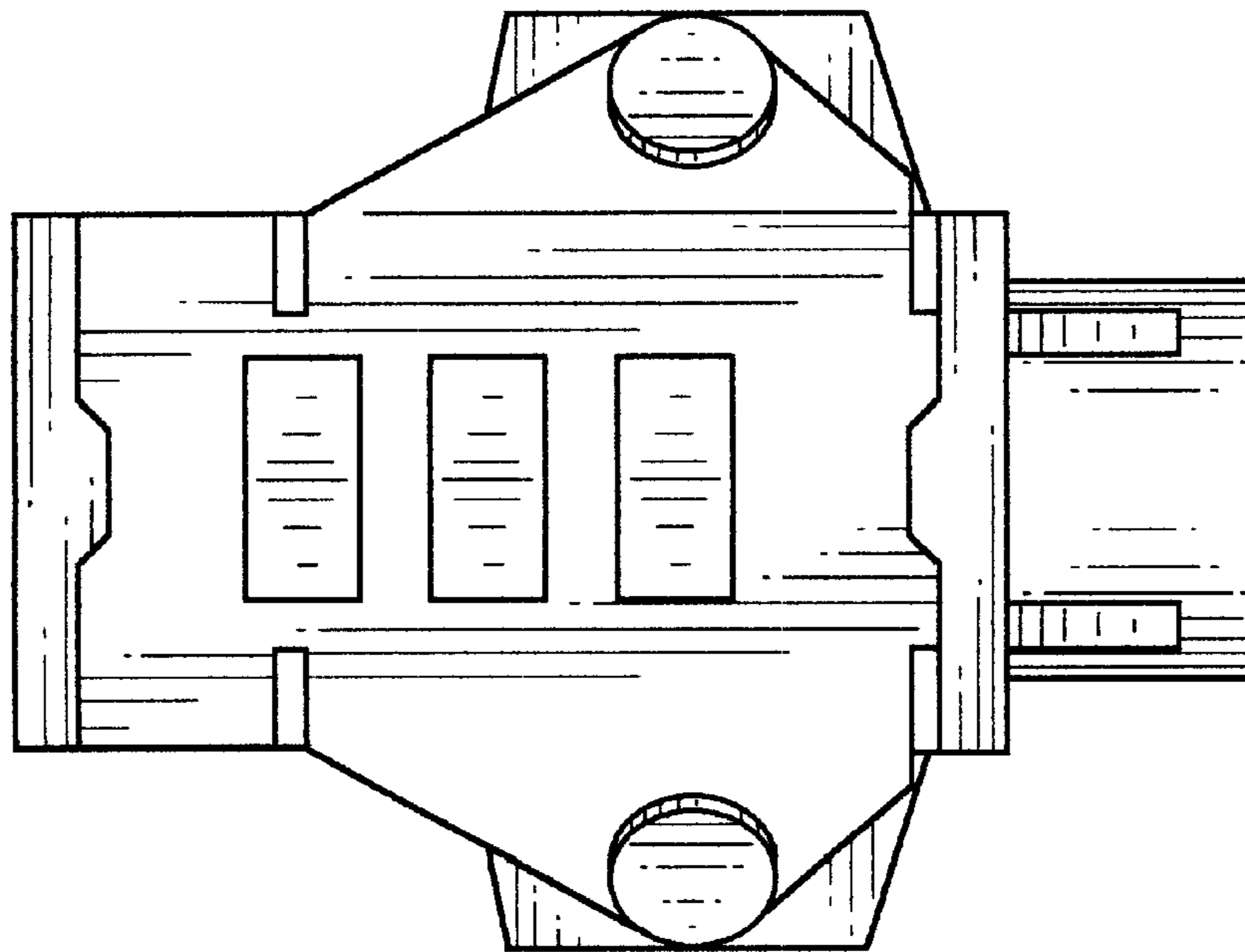


Fig. 6

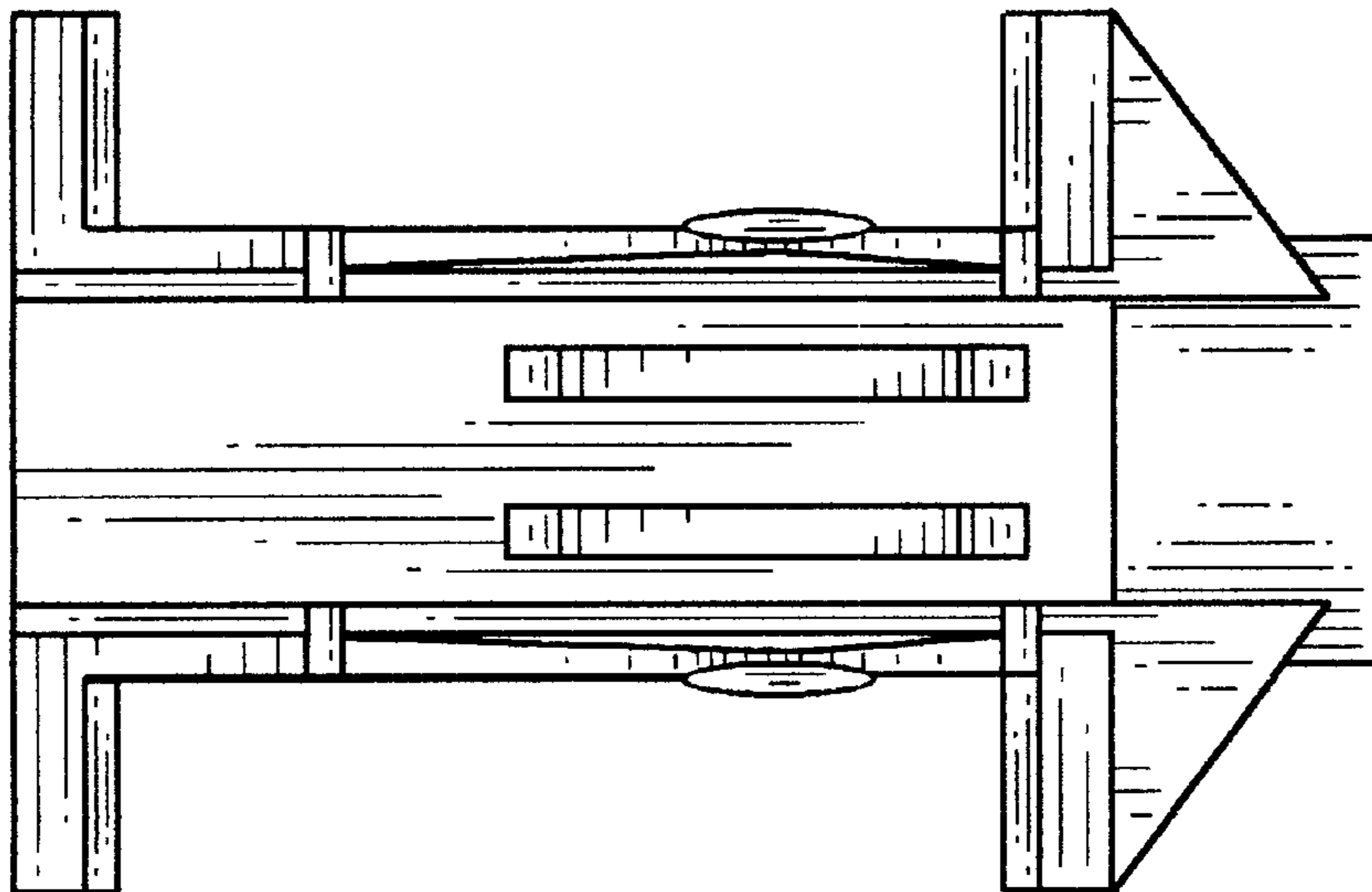


Fig. 7