



US00D464555S

(12) **United States Design Patent** (10) **Patent No.:** **US D464,555 S**
Weinerman et al. (45) **Date of Patent:** **** Oct. 22, 2002**

(54) **PORTIONS OF A CLAMP BRACKET ASSEMBLY FOR USE WITH PUSH BUTTON LATCH AND LOCK OPERATING ASSEMBLIES**

(75) Inventors: **Lee S. Weinerman**, Medina, OH (US);
Scott A. Arthurs, Brunswick, OH (US)

(73) Assignee: **The Eastern Company**, Cleveland, OH (US)

(**) Term: **14 Years**

(21) Appl. No.: **29/142,044**

(22) Filed: **May 17, 2001**

Related U.S. Application Data

(63) Continuation-in-part of application No. 29/131,819, filed on Oct. 27, 2000, which is a continuation-in-part of application No. 29/113,063, filed on Oct. 28, 1999.

(51) **LOC (7) Cl.** **08-07**

(52) **U.S. Cl.** **D8/330; D8/343**

(58) **Field of Search** D8/330, 331, 336, D8/343; 292/83, 208, 210, 216, 209, 305, 300, 63, 56; 285/312

(56) **References Cited**

U.S. PATENT DOCUMENTS

417,589 A 12/1889 Rose
491,824 A 2/1893 Walker
767,567 A 8/1904 Keil

(List continued on next page.)

OTHER PUBLICATIONS

Eberhard Manufacturing Co, Cleveland, OH "Industrial, Vehicular & Safety Hardware" Catalog 107, 1996, Cover & pp. 63-69.

Tri/Mark, New Hampton, IA "40-400 Push Button Center Control" 2-page Brochure Dated Jan. 1998.

Southco, Inc. "Handbook" Catalog P. H-3, 1989, Concordville, PA.

Southco, Inc. Catalog Page Entitled "Corrosion Resistant Push Lock," Believed To Be Dated 1990 Shows Finger Pull With Push Button Latch.

Primary Examiner—Brian N. Vinson
(74) *Attorney, Agent, or Firm*—David A. Burge

(57) **CLAIM**

We claim the ornamental design for portions of a clamp bracket assembly for use with push button latch and lock operating assemblies, as shown and described.

DESCRIPTION

The present application is a continuation-in-part of application Ser. No. 29/131,819 filed Oct. 27, 2000 by Lee S. Weinerman et al entitled clamp bracket assembly with j-shaped arms for use with push button latch and lock operating assemblies, which was filed Oct. 28, 1999 by Lee S. Weinerman et al as a continuation-in-part of application Ser. No. 29/113,063 entitled front exterior portion of a latch or lock housing with push button operator, the disclosures of both of which are incorporated herein by reference.

FIG. 1 is a perspective view showing principally top and front features of portions of a clamp bracket assembly for use with push button latch and lock operating assemblies embodying our new design;

FIG. 2 is a perspective view showing principally bottom and rear features thereof;

FIG. 3 is a front view thereof;

FIG. 4 is a rear view thereof;

FIG. 5 is a right side view thereof;

FIG. 6 is a left side view thereof;

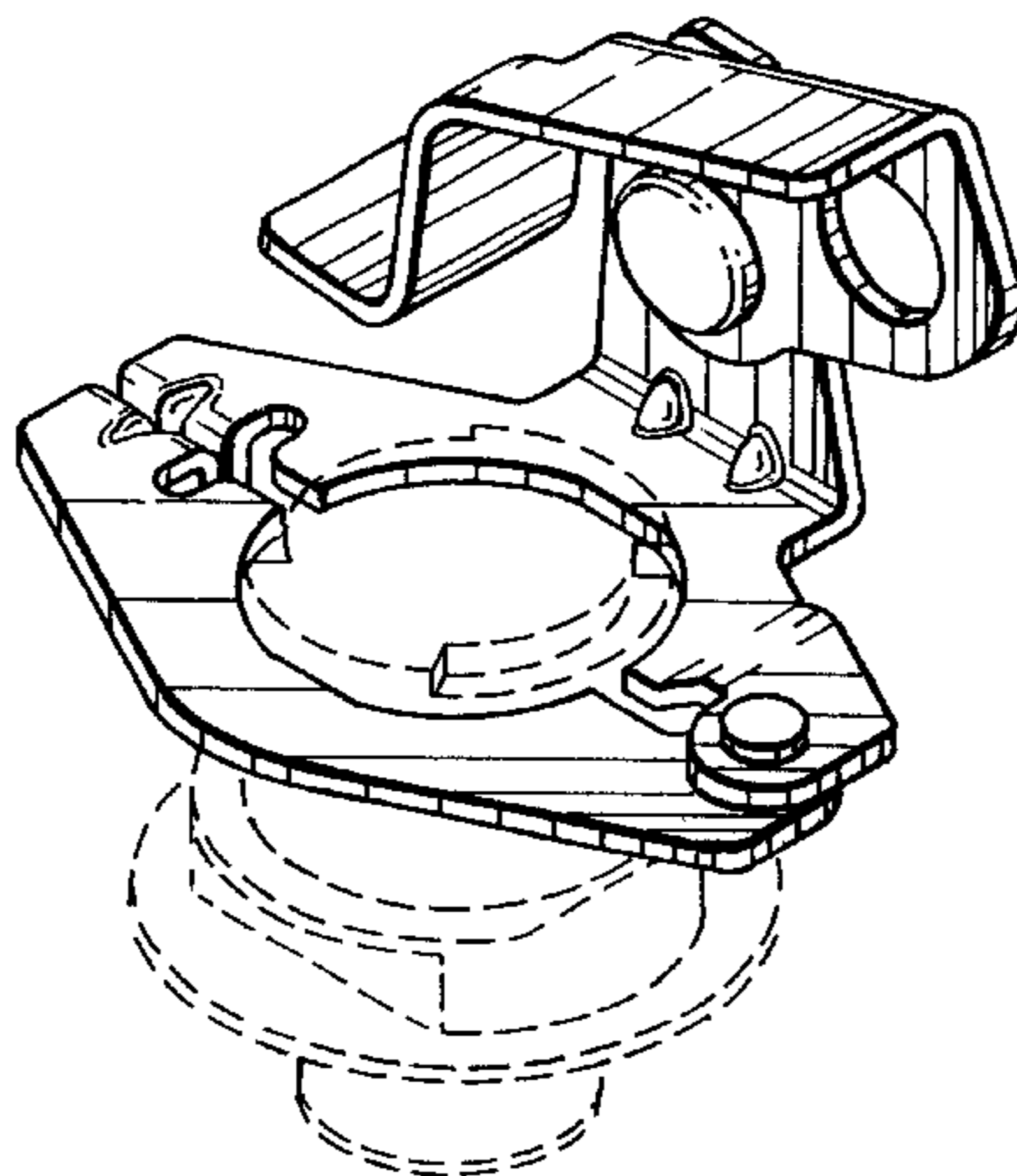
FIG. 7 is a top view thereof;

FIG. 8 is a bottom view thereof;

FIG. 9 is a perspective view showing principally bottom and front portions thereof with a pivotally movable lever thereof at one end of its range of pivotal movement; and,

FIG. 10 is a perspective view similar to FIG. 9 but with the pivotally movable lever thereof at the other end of its range of pivotal movement, with broken lines disclosing the position of a push button latch and lock operating assembly clamped by the clamp bracket assembly, with this broken line disclosure being provided for illustrative purposes only and forming no part of the design.

1 Claim, 4 Drawing Sheets



US D464,555 S

Page 2

U.S. PATENT DOCUMENTS		
876,300 A	1/1908	Couret
925,455 A	6/1909	Campbell
1,058,346 A	4/1913	Berstler
1,531,605 A	3/1925	Gaynor
1,556,864 A	10/1925	Mendenhall
1,571,453 A	2/1926	Maxon
1,672,901 A	6/1928	North
1,965,939 A	7/1934	Jacobi 70/29
2,059,479 A	11/1936	North 292/127
2,705,884 A	4/1955	Craig 70/264
2,728,214 A	12/1955	Craig 70/149
2,755,519 A	7/1956	Xander 20/52
2,772,908 A	12/1956	Craig 292/280
2,911,247 A	11/1959	Corbin 292/48
2,987,907 A	6/1961	Cockburn et al. 70/135
3,054,634 A	9/1962	Westerdale 292/336.3
3,602,017 A	8/1971	Bauer 70/78
3,964,280 A	6/1976	Kelton 70/84
4,059,296 A	11/1977	Panourgias 285/312
4,084,417 A	4/1978	Daniel 70/431
4,488,669 A	12/1984	Waters 224/273
4,978,152 A	12/1990	Bisbing 292/169
D313,337 S	1/1991	Haskell D8/336
D324,635 S	3/1992	Weinerman et al. D8/331
5,308,126 A	5/1994	Weger, Jr. et al. 292/53
5,346,266 A	9/1994	Bisbing 292/64
5,439,260 A	8/1995	Weinerman et al. 292/48
D371,300 S	7/1996	Mordick D8/343
5,564,295 A	10/1996	Weinerman et al. 70/208
5,586,458 A	12/1996	Weinerman et al. 70/208
5,611,224 A	3/1997	Weinerman et al. 70/208
5,782,511 A	7/1998	Schwarz 292/63
5,816,630 A	10/1998	Bennett et al. 292/341.17
5,884,948 A	3/1999	Weinerman et al. 292/216
6,012,747 A	1/2000	Takamura et al. 292/56
D429,141 S	8/2000	Antonucci et al. D8/331
6,113,160 A	9/2000	Johansson et al. 292/169
D432,389 S	10/2000	Johansson et al. D8/331
6,231,091 B1	5/2001	Gleason et al. 292/34

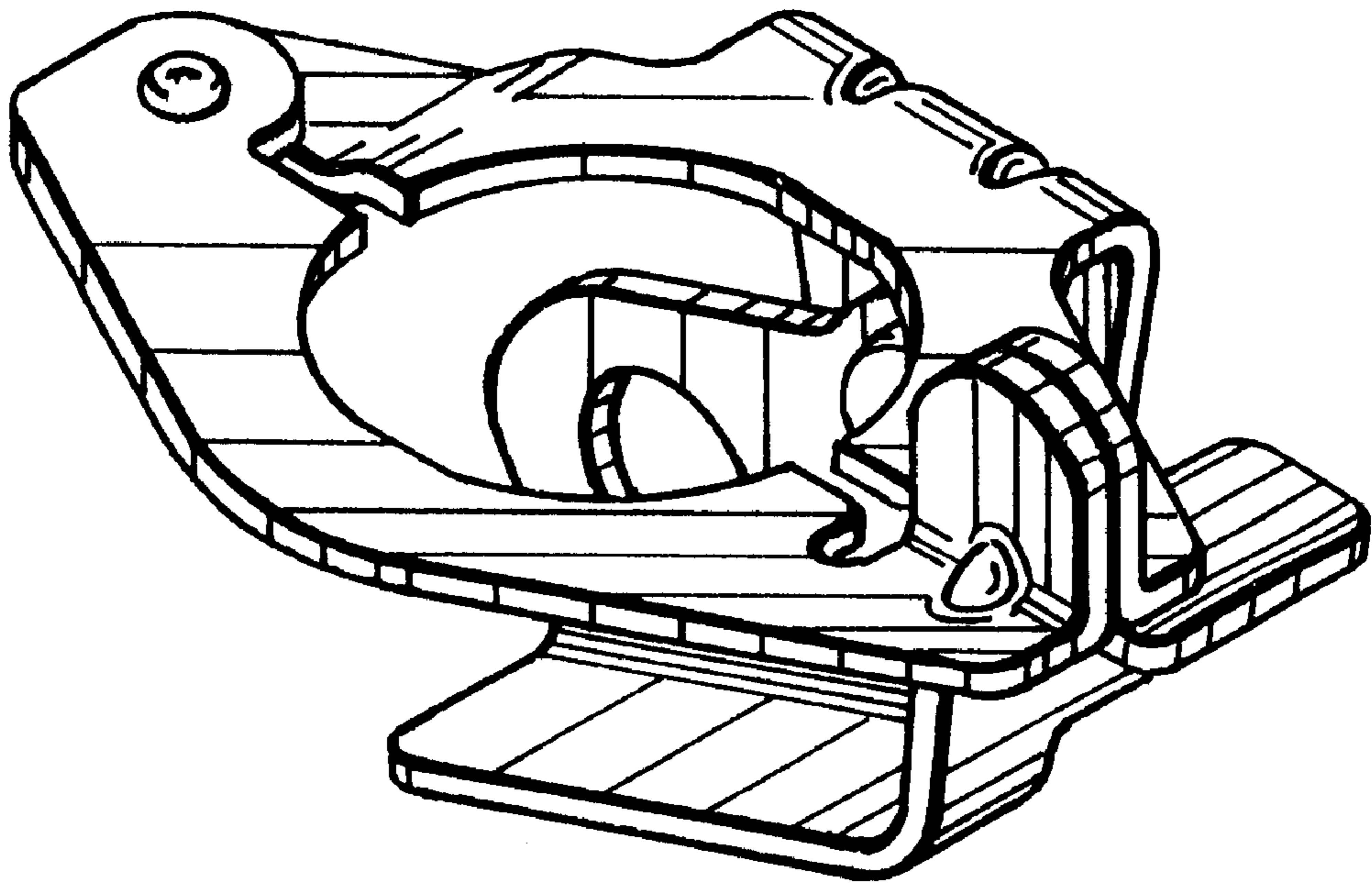


FIG. 1

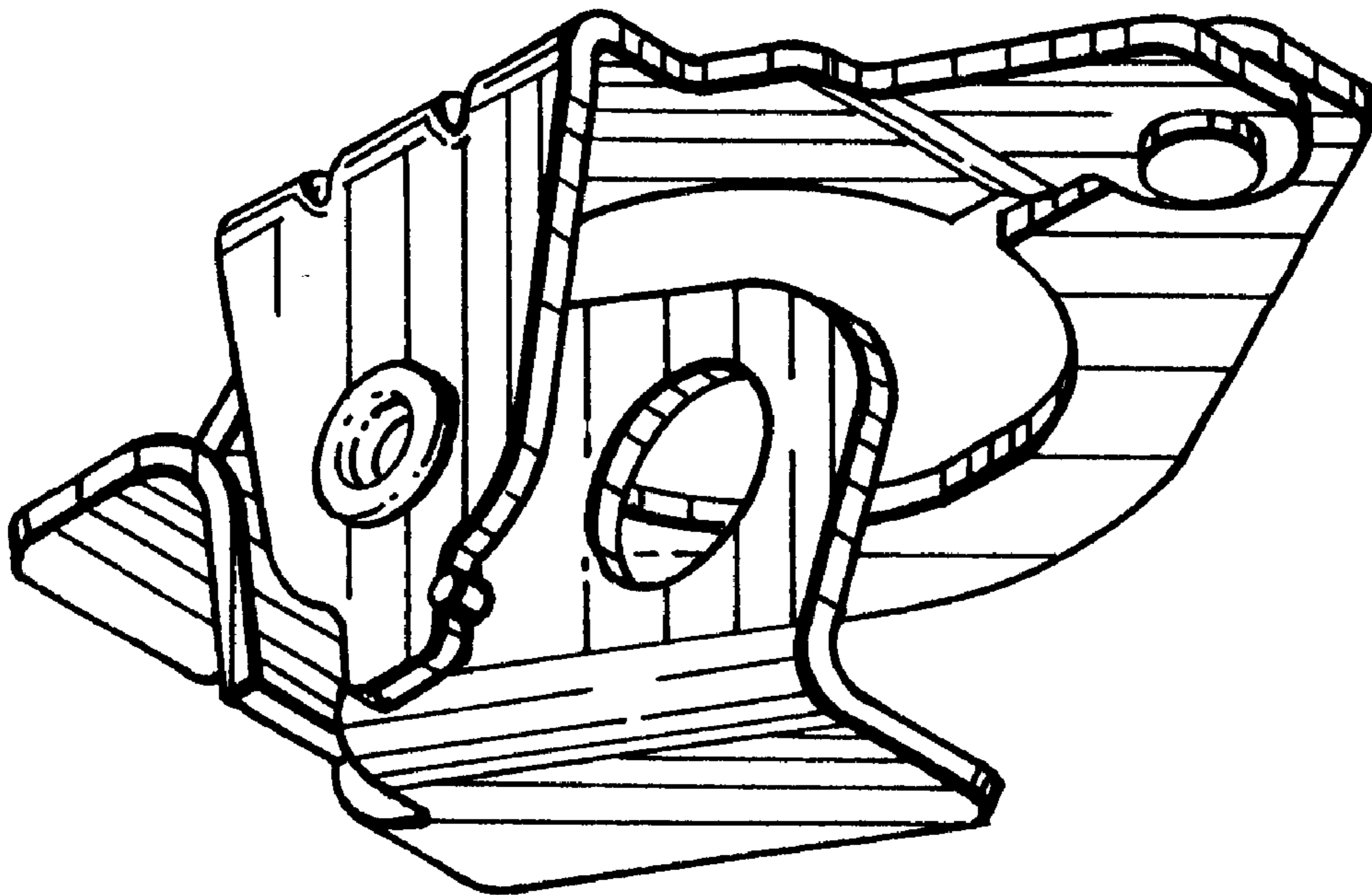


FIG. 2

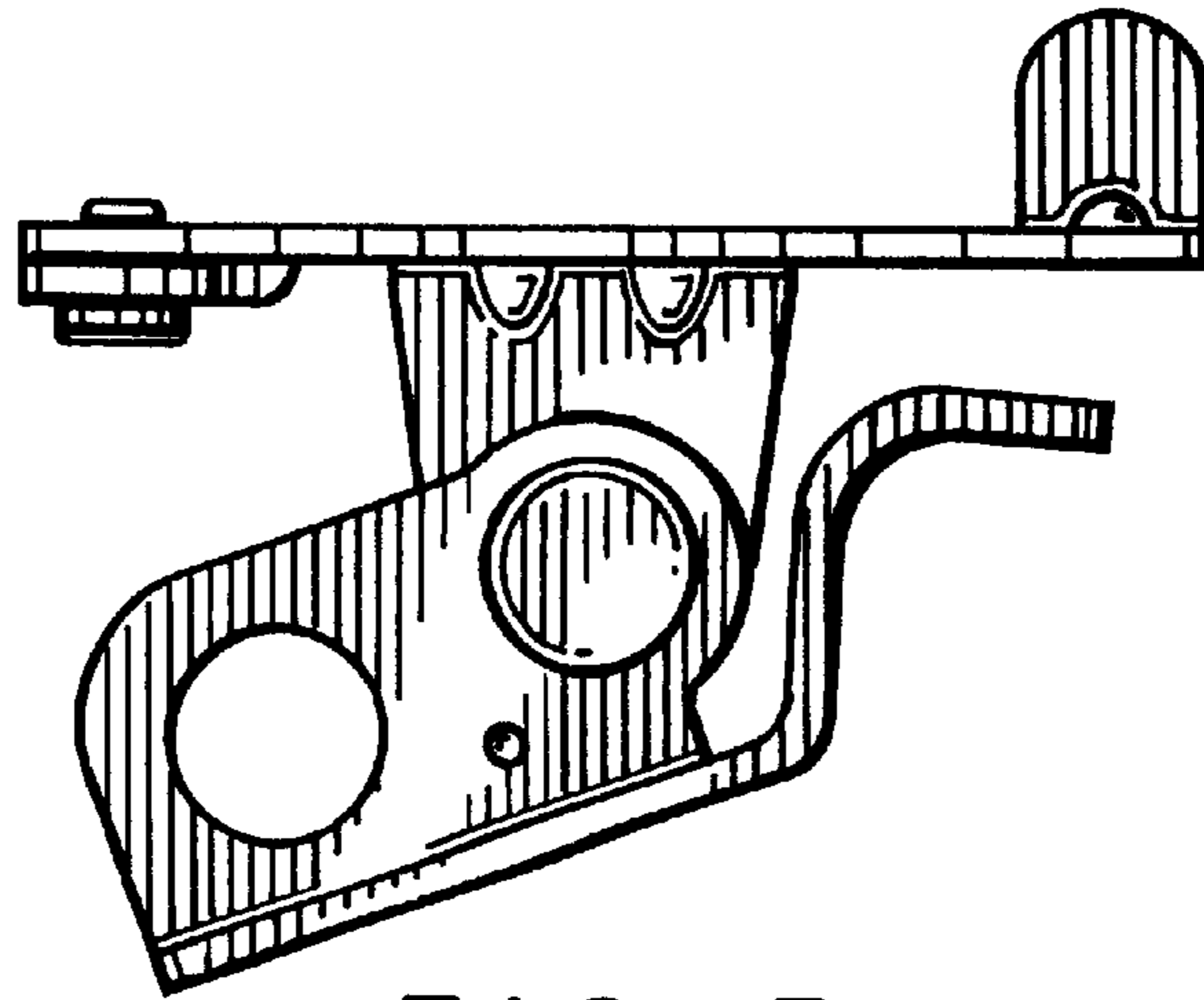


FIG. 3

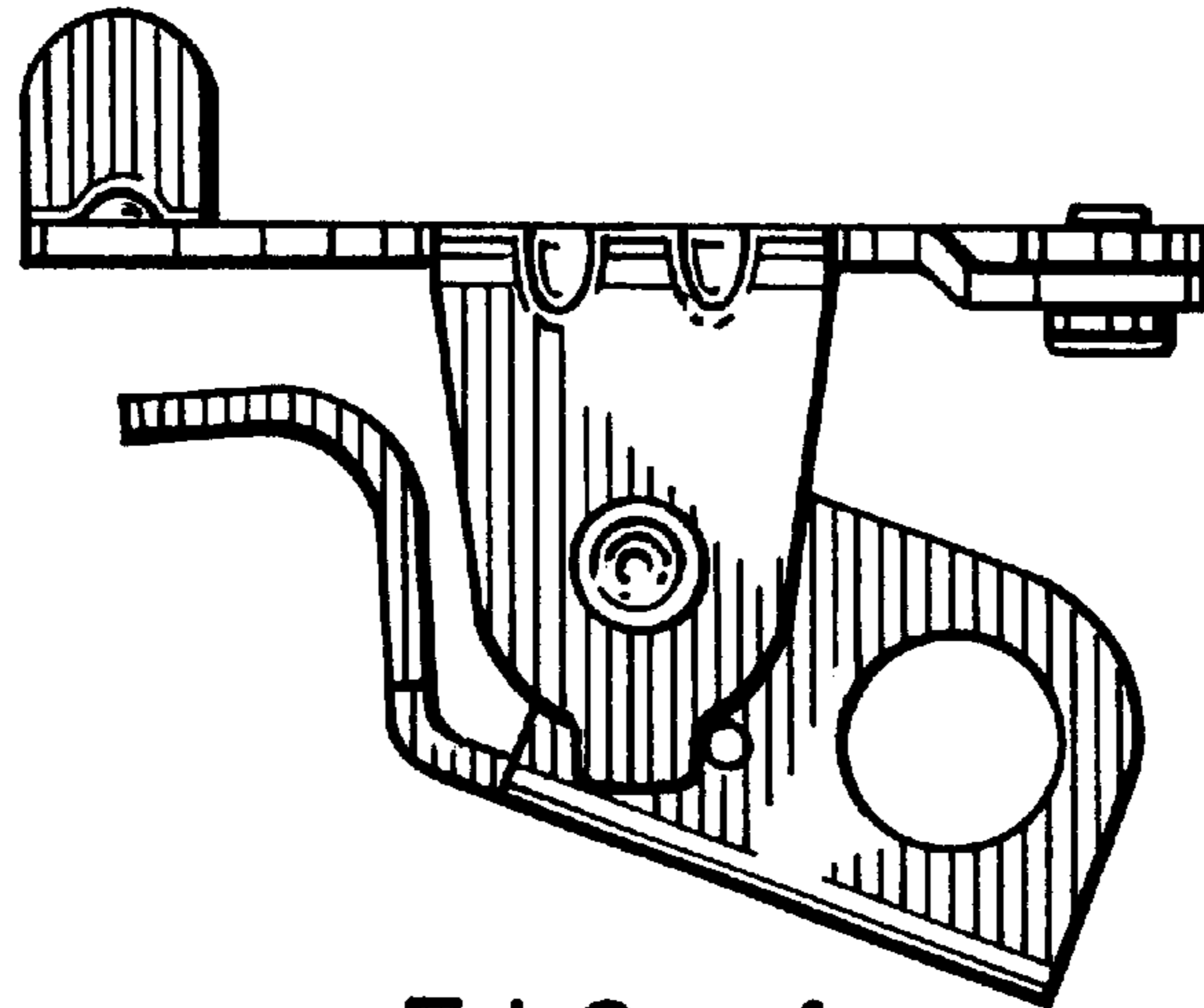


FIG. 4

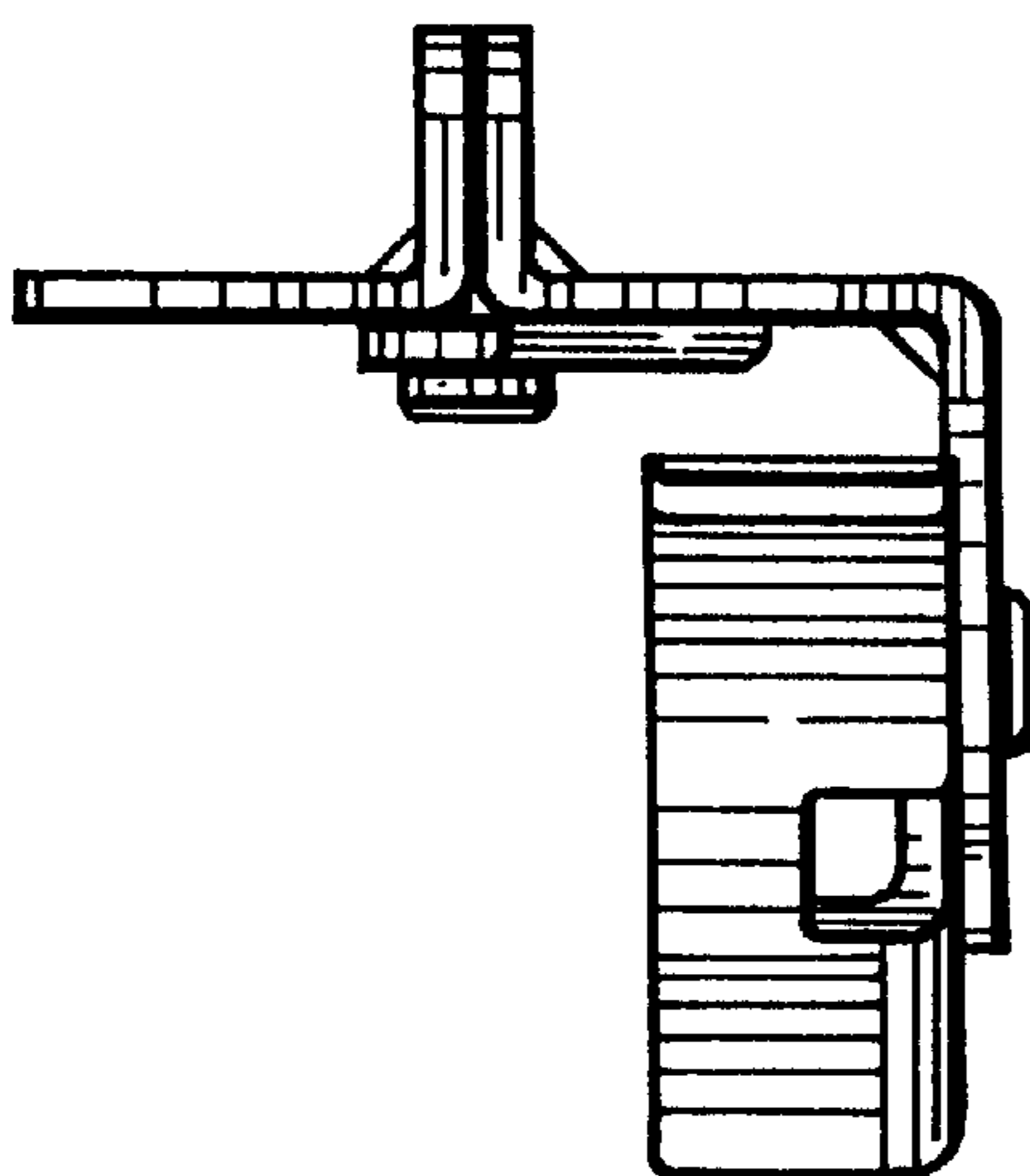


FIG. 5

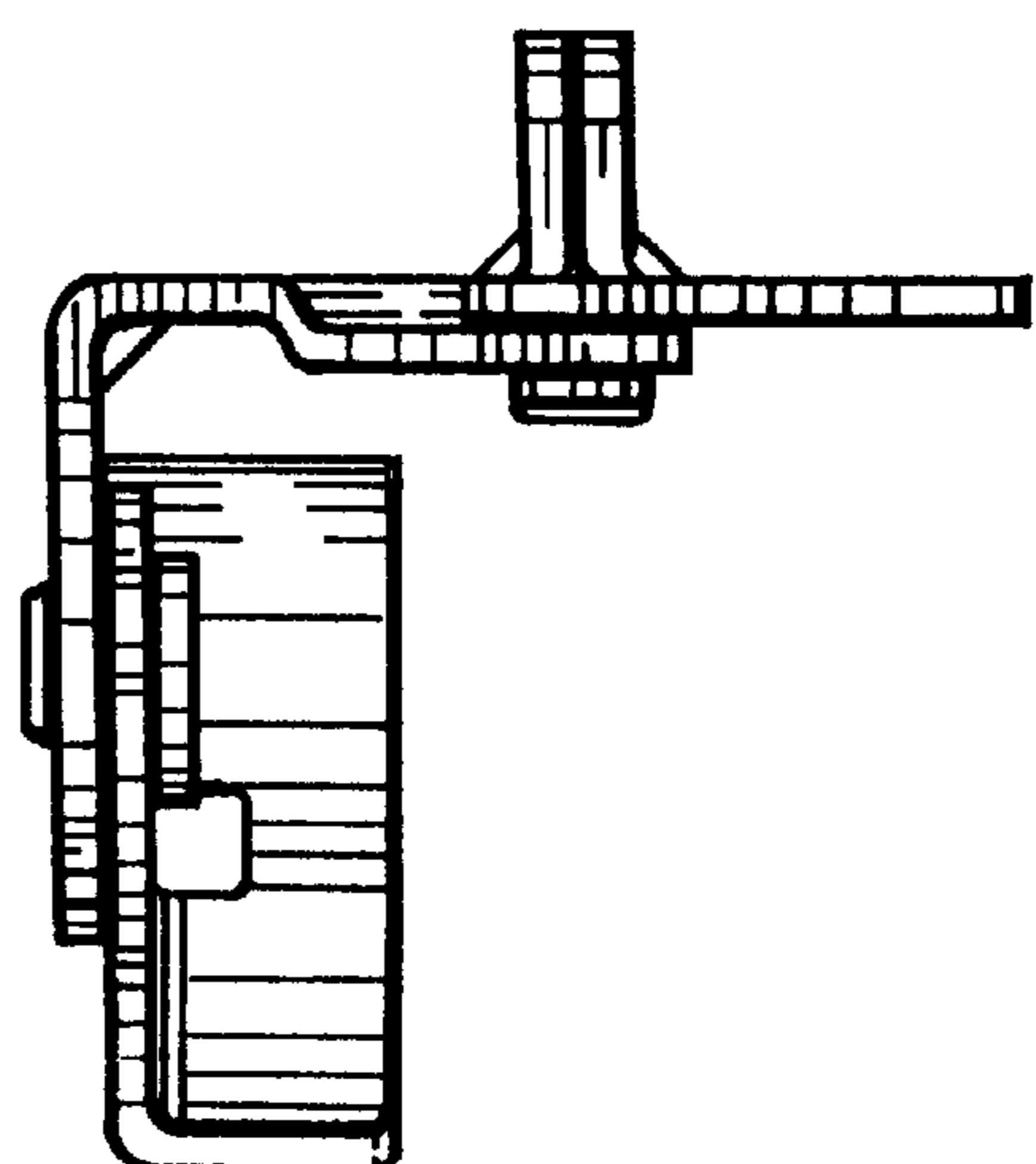


FIG. 6

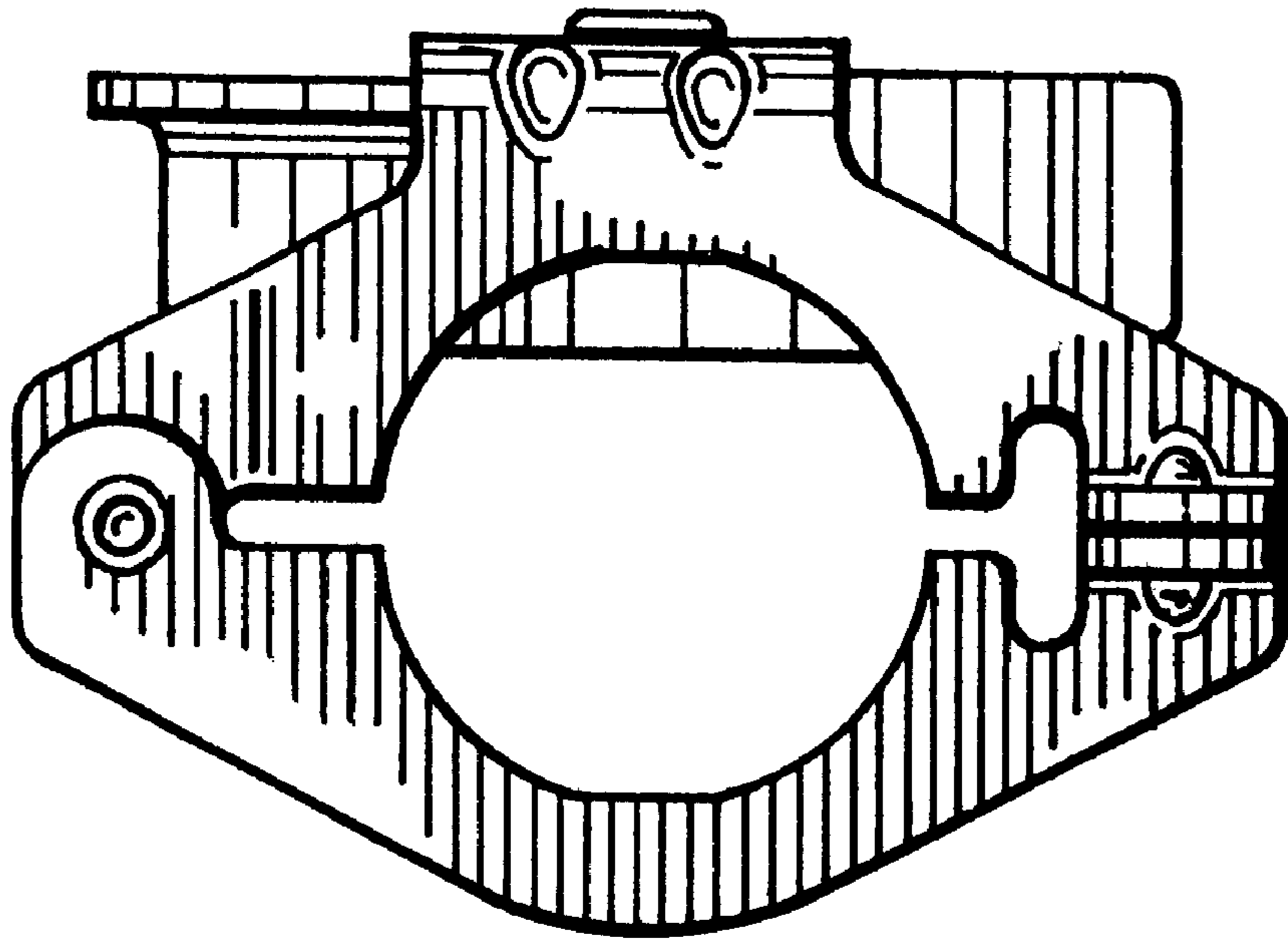


FIG. 7

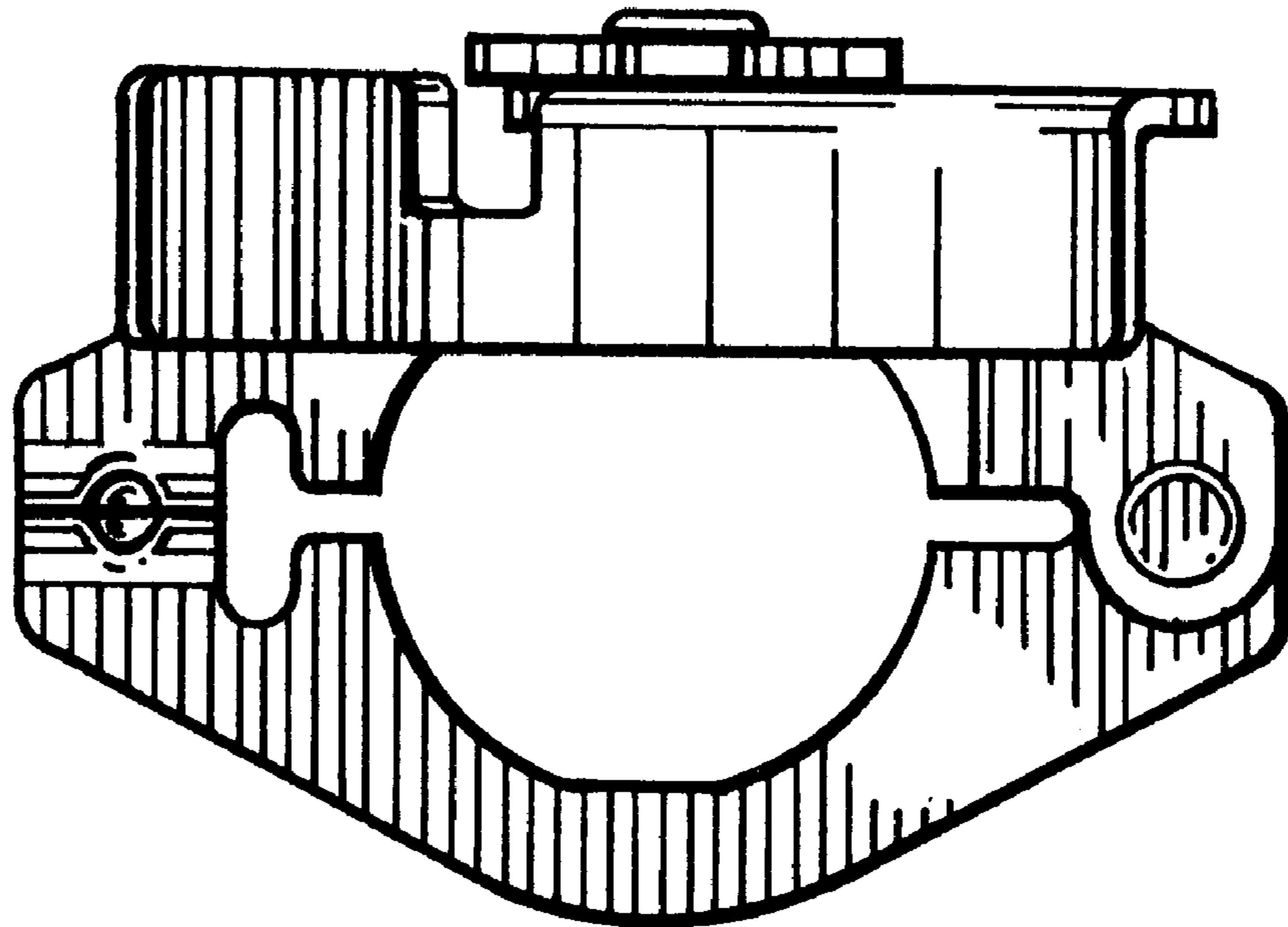


FIG. 8

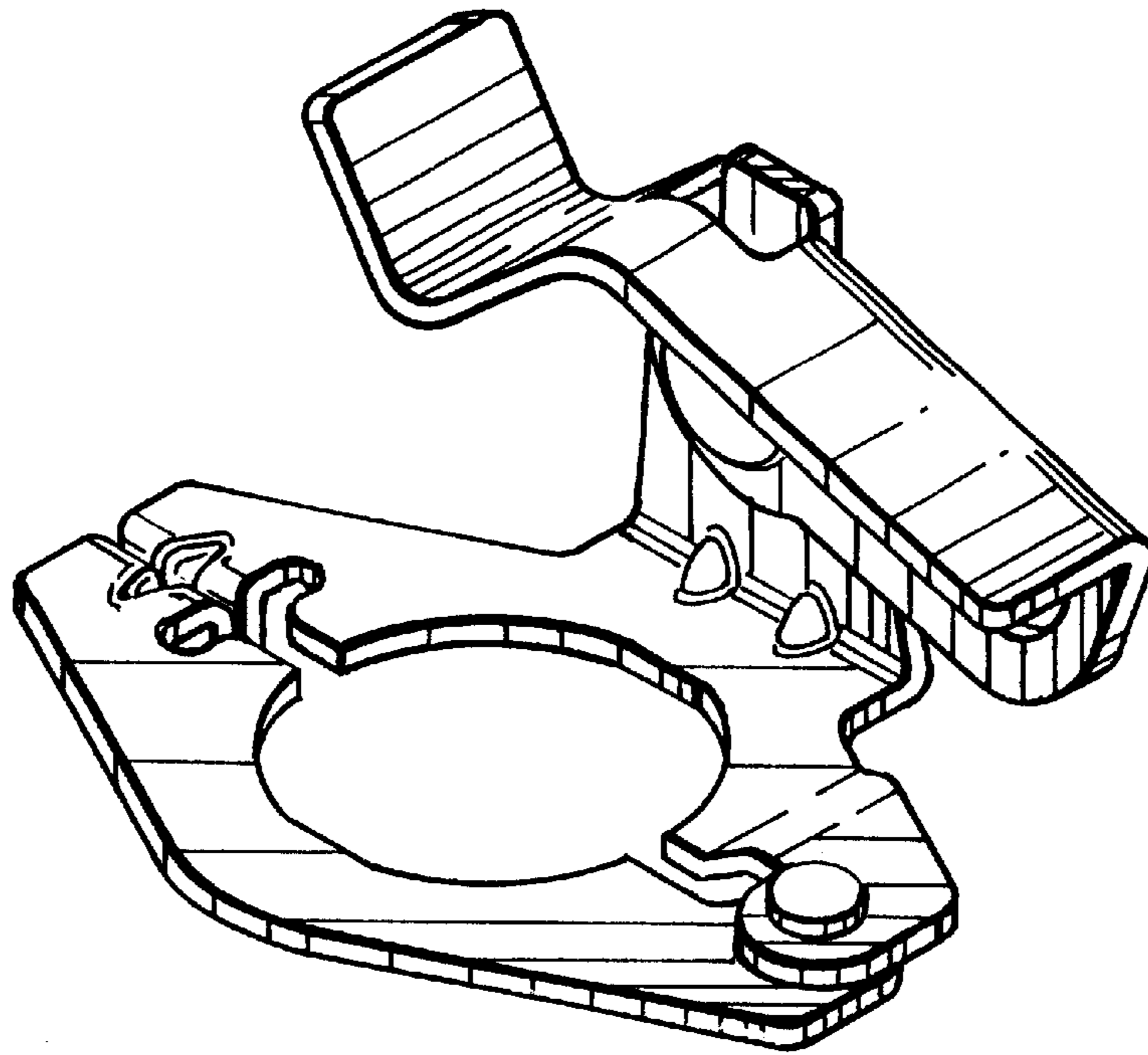


FIG. 9

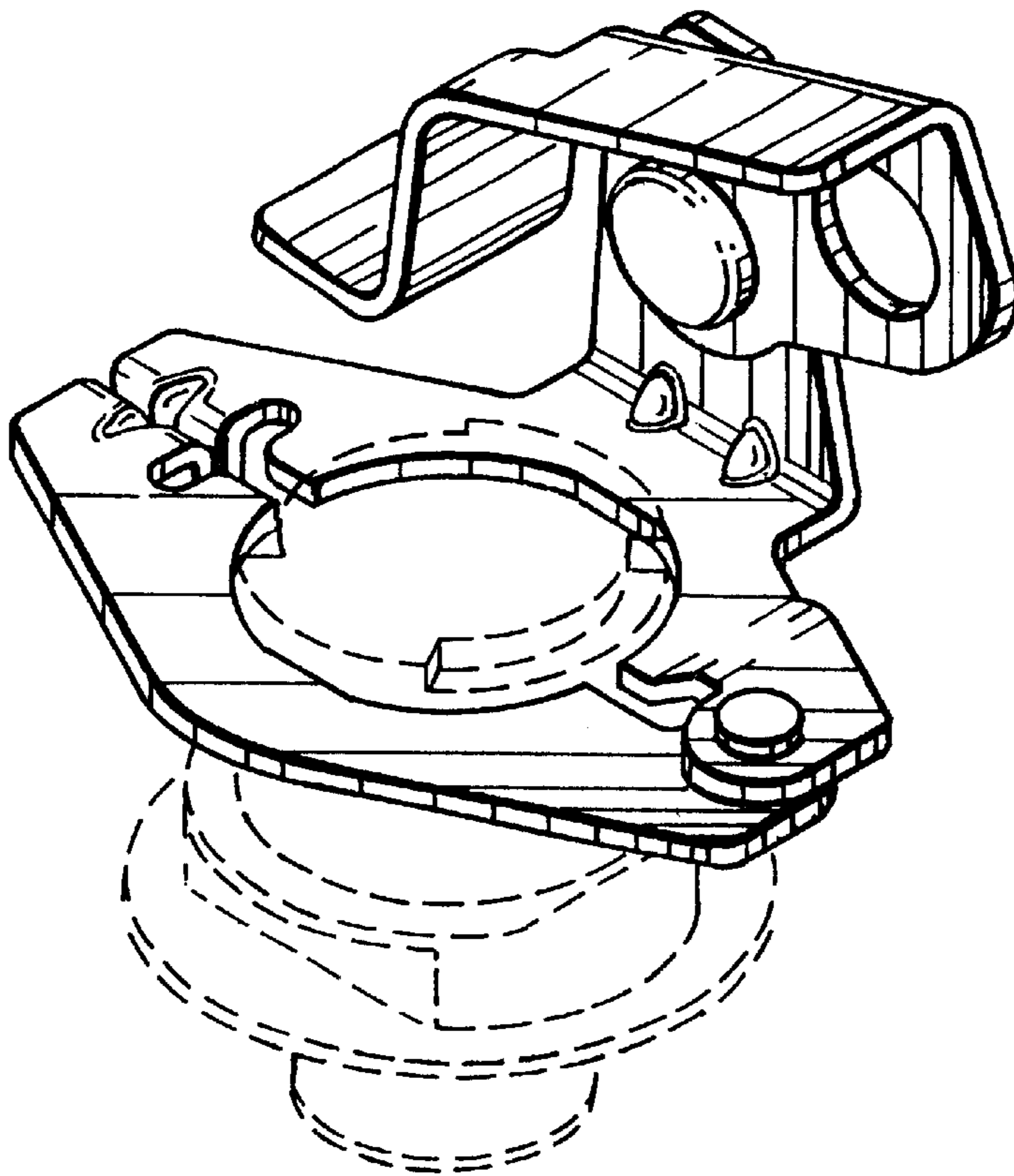


FIG. 10