



US00D464550S

(12) **United States Design Patent**
Seppala

(10) **Patent No.:** **US D464,550 S**

(45) **Date of Patent:** **** Oct. 22, 2002**

(54) **HAND HELD DEVICE FOR SMASHING TRASH**

Primary Examiner—Cynthia E. Ramirez
(74) *Attorney, Agent, or Firm*—McNair Law Firm, P.A.;
Robert R. Reed

(76) **Inventor:** **Ariel T. Seppala**, 908 Morning Star Ct., Greer, SC (US) 29651

(57) **CLAIM**

(**) **Term:** **14 Years**

The ornamental design for a hand held device for smashing trash, as shown and described.

(21) **Appl. No.:** **29/138,001**

(22) **Filed:** **Mar. 2, 2001**

DESCRIPTION

(51) **LOC (7) Cl.** **08-05**

FIG. 1 is a perspective view of my hand held device for smashing trash and the environment where the device is being used, wherein the dash lines showing a trash receptacle and a person's hand are for illustrative purposes only and forms no part of the claimed design;

(52) **U.S. Cl.** **D8/77; D8/14**

(58) **Field of Search** D8/77, 14; D7/682; 404/133.1; D15/123, 245; 100/265, 226, 227, 228, 240, 295, 299; D34/1

FIG. 2 is a perspective view of the hand held device for smashing trash of my invention thereof, it being understood that the opposite side perspective view is the same;

(56) **References Cited**

U.S. PATENT DOCUMENTS

D243,315 S	2/1977	Smith	D8/77
4,128,055 A	* 12/1978	Hellman	100/245
4,682,539 A	* 7/1987	Bramblett et al.	100/265
4,991,500 A	2/1991	Knapp	100/90
5,176,072 A	* 1/1993	Larson	100/226
5,361,692 A	* 11/1994	Zimmer	100/228
5,797,314 A	8/1998	Hendrick	100/265
5,845,567 A	12/1998	Fischer	100/226
5,857,408 A	* 1/1999	Witter	100/265
5,862,748 A	* 1/1999	Witter	100/265
D415,396 S	* 10/1999	Loughead et al.	D7/682

FIG. 3 is a side elevation view the hand held device of my new design thereof, it being understood that the opposite side elevation view is the same;

FIG. 4 is an end elevation view the hand held device of my new design thereof, it being understood that the opposite end elevation view is the same;

FIG. 5 is a top plan view of the hand held device of my new design thereof; and,

FIG. 6 is a bottom plan view of the hand held device my new design thereof.

* cited by examiner

1 Claim, 4 Drawing Sheets

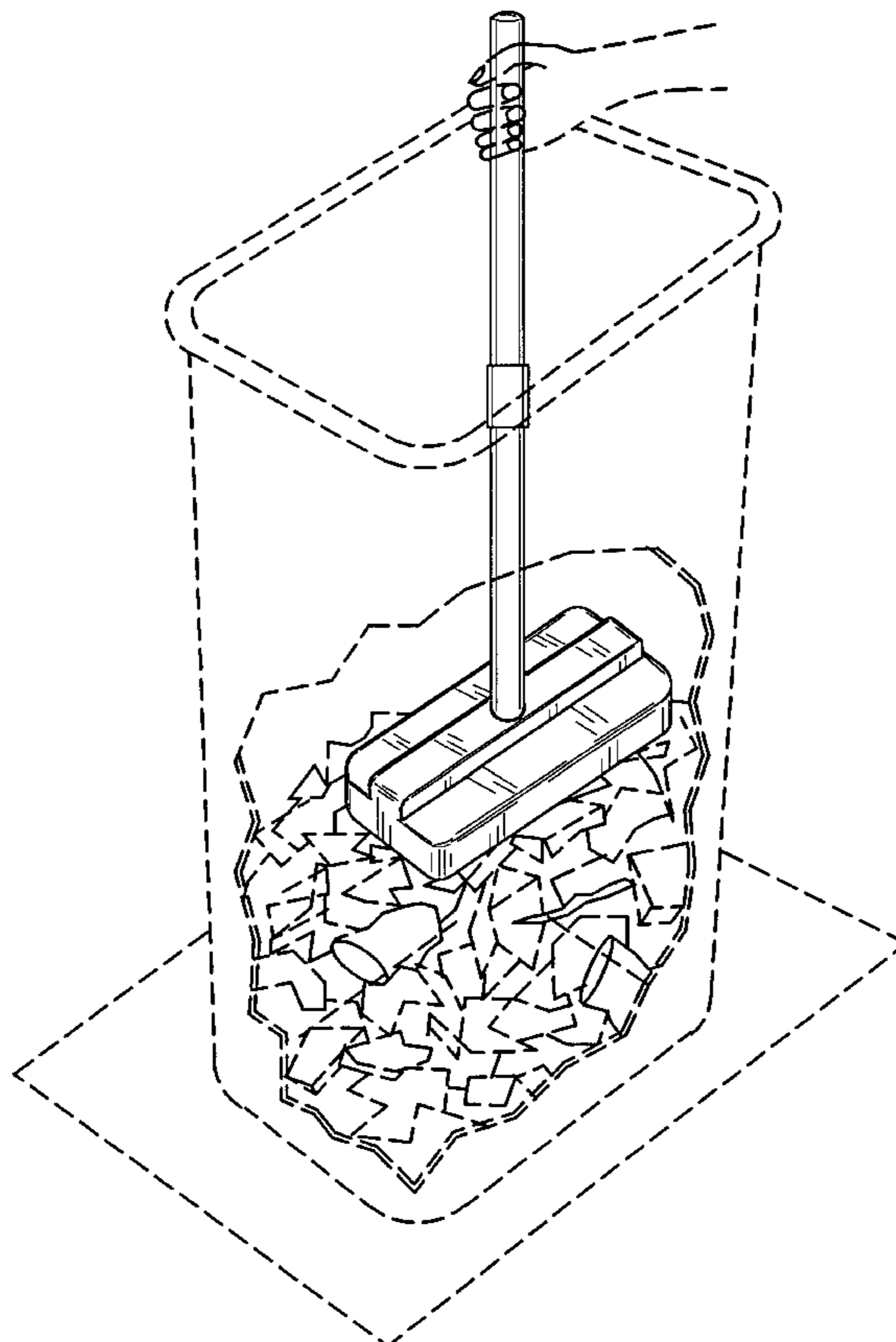
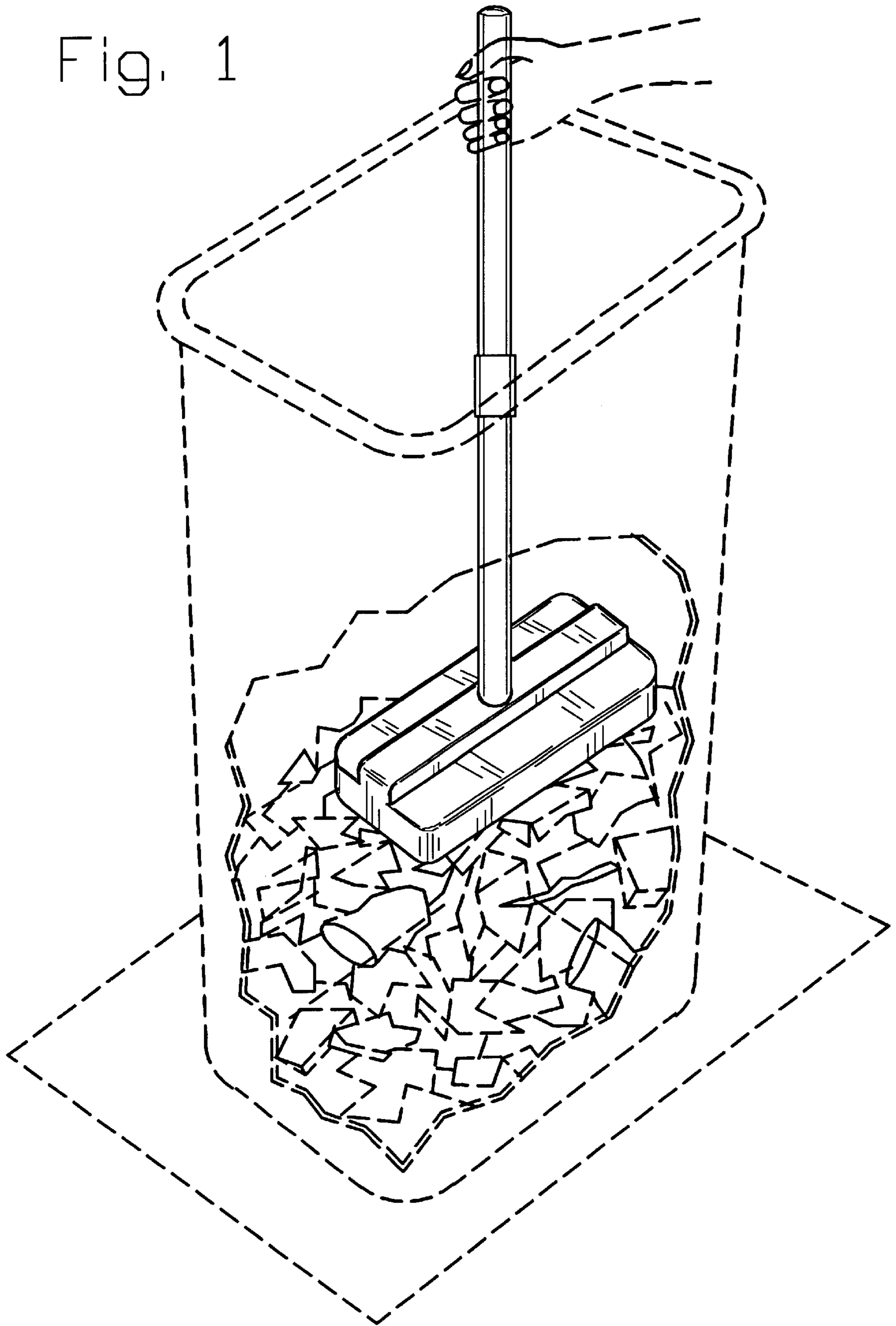


Fig. 1



Fig, 2

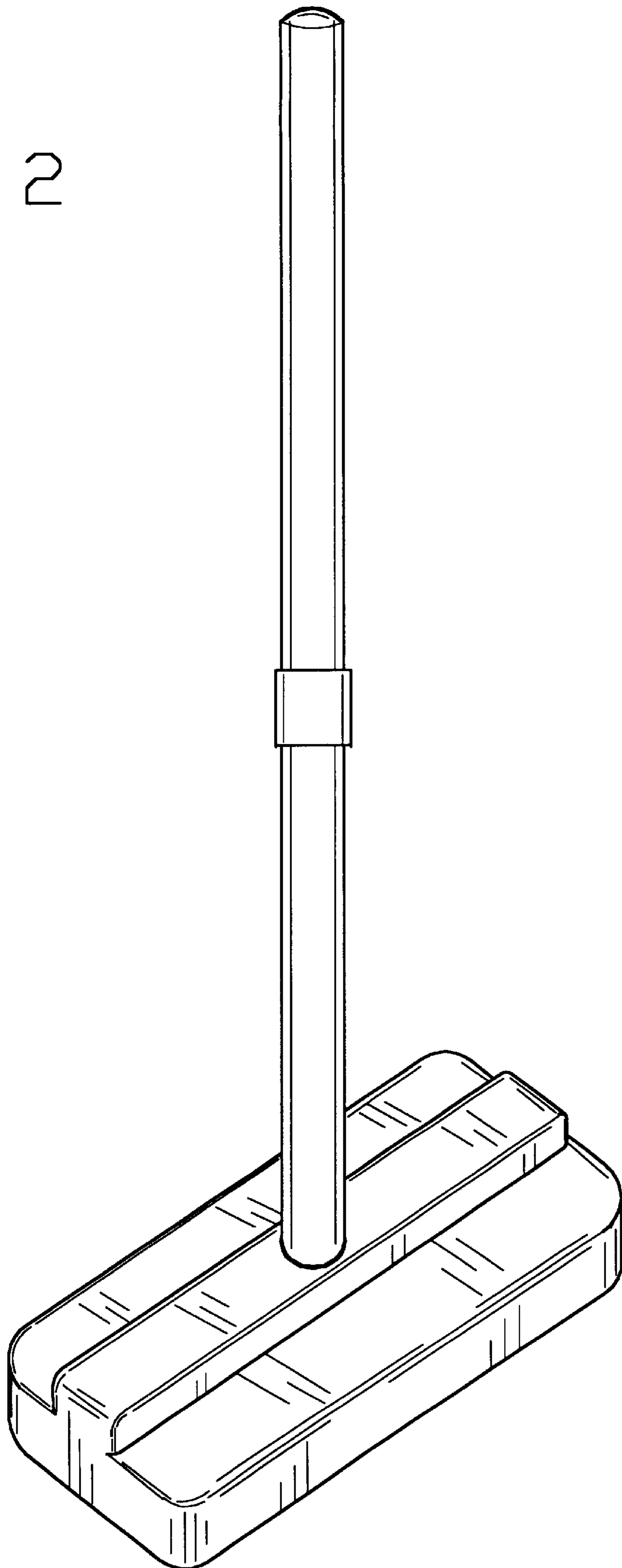


Fig. 3

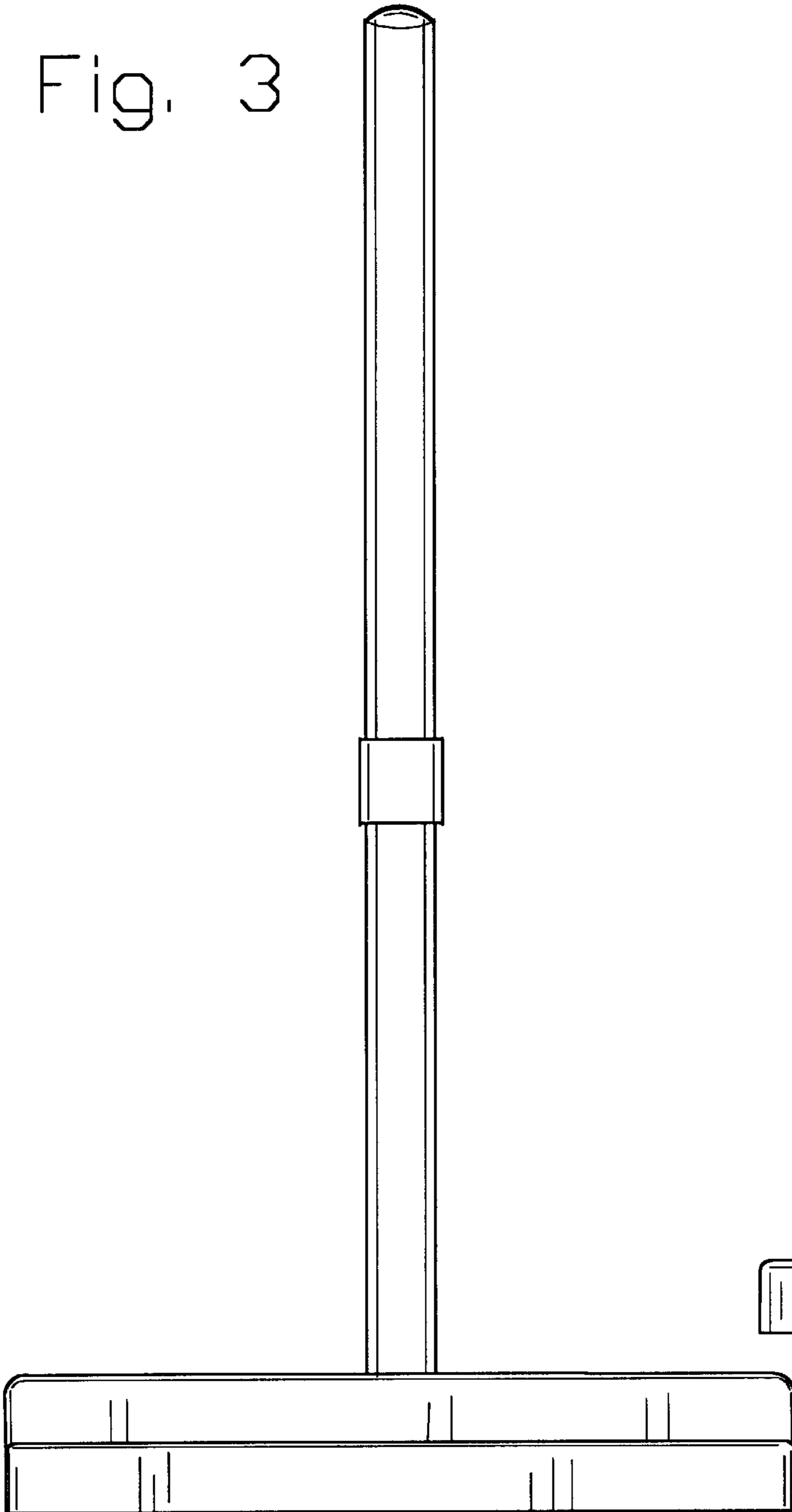


Fig. 4

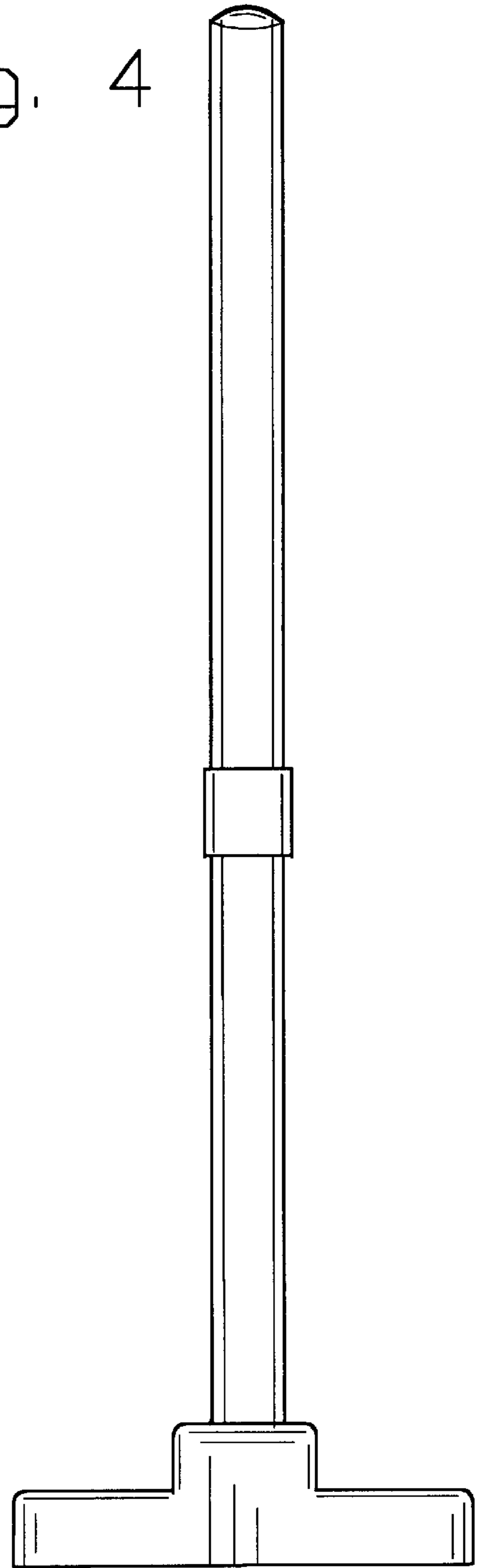


Fig. 5

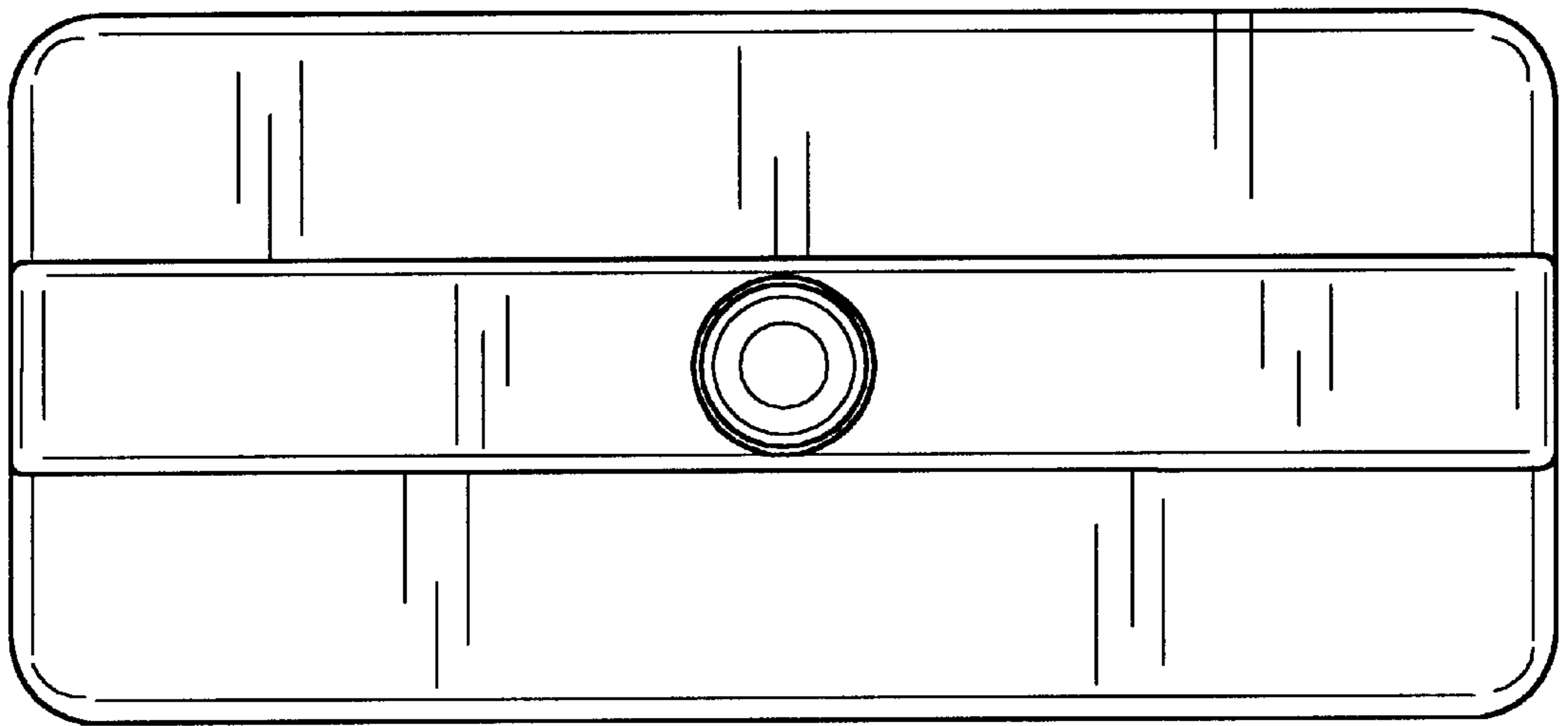


Fig. 6

