

US00D464547S

(12) **United States Design Patent**  
**Bass et al.**

(10) **Patent No.:** **US D464,547 S**

(45) **Date of Patent:** **\*\* Oct. 22, 2002**

(54) **DUAL ACTION SANDER**

(75) Inventors: **Gary S. Bass**, Independence, KY (US);  
**Christopher E. Martini**,  
Lawrenceburg, IN (US); **Jeffrey Ward**,  
Cincinnati, OH (US)

(73) Assignee: **Campbell Hausfeld/Scott Fetzer**  
**Company**, Harrison, OH (US)

(\*\*) Term: **14 Years**

(21) Appl. No.: **29/158,922**

(22) Filed: **Apr. 12, 2002**

(51) **LOC (7) Cl.** ..... **08-01**

(52) **U.S. Cl.** ..... **D8/62**

(58) **Field of Search** ..... D8/61, 62; 81/57.13;  
173/170; 310/50; 451/344, 259, 353, 355,  
356, 357, 358, 359, 451, 456, 490

(56) **References Cited**

**U.S. PATENT DOCUMENTS**

2,120,252	A	*	6/1938	Kadri	.....	451/358
2,662,351	A	*	12/1953	Iobbi	.....	451/353
4,175,359	A	*	11/1979	Teague, Jr. et al.	.....	451/357
D254,771	S		4/1980	Taylor et al.		
4,879,847	A	*	11/1989	Butzen et al.	.....	451/344
D324,800	S		3/1992	Butzen et al.		
D324,803	S		3/1992	Butzen et al.		
D350,467	S		9/1994	Izumisawa		
D377,892	S		2/1997	Sung		
D380,659	S		7/1997	Sung		

D381,248	S	7/1997	Sung
D381,570	S	7/1997	Sung
D385,765	S	11/1997	Sung
D386,377	S	11/1997	Sung
D404,273	S	1/1999	Somers
D405,334	S	2/1999	Sung
D427,498	S	7/2000	Price et al.
D427,871	S	7/2000	Price

\* cited by examiner

*Primary Examiner*—Stacia Cadmus

*Assistant Examiner*—Elizabeth A. Albert

(74) *Attorney, Agent, or Firm*—Jones, Day, Reavis & Pogue

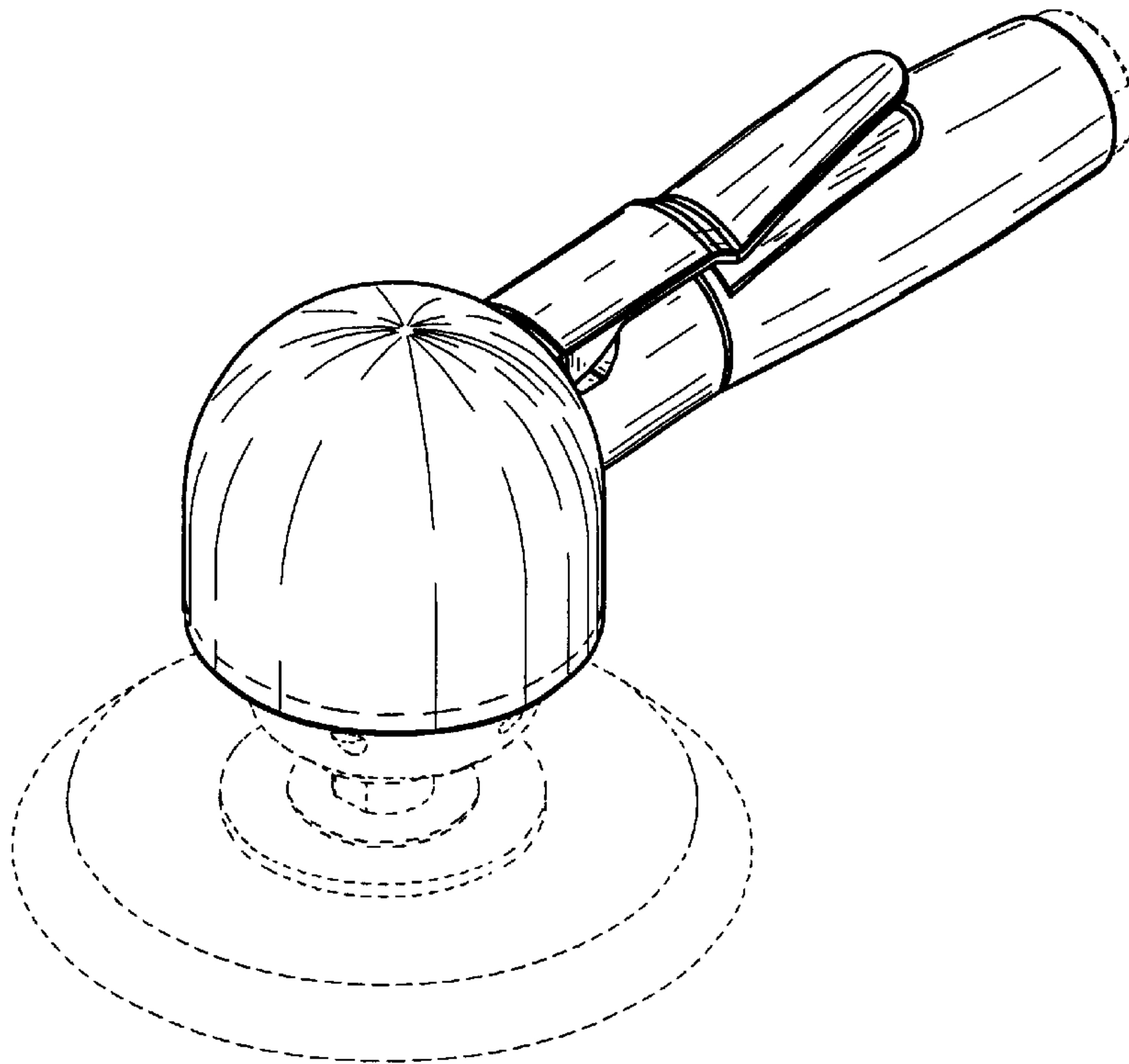
(57) **CLAIM**

We claim the ornamental design for a dual action sander, as shown and described.

**DESCRIPTION**

FIG. 1 is a perspective view of a dual action sander embodying the ornamental design of the present invention; FIG. 2 is a side view of the dual action sander of FIG. 1, the opposite side view being a mirror image; FIG. 3 is a front view of the dual action sander of FIG. 1; FIG. 4 is a rear view of the dual action sander of FIG. 1; FIG. 5 is an bottom view of the dual action sander of FIG. 1; and, FIG. 6 is a top view of the dual action sander of FIG. 1. The broken line shown in FIGS. 1–6 are illustrative purposes only and form no part of the claimed design.

**1 Claim, 2 Drawing Sheets**



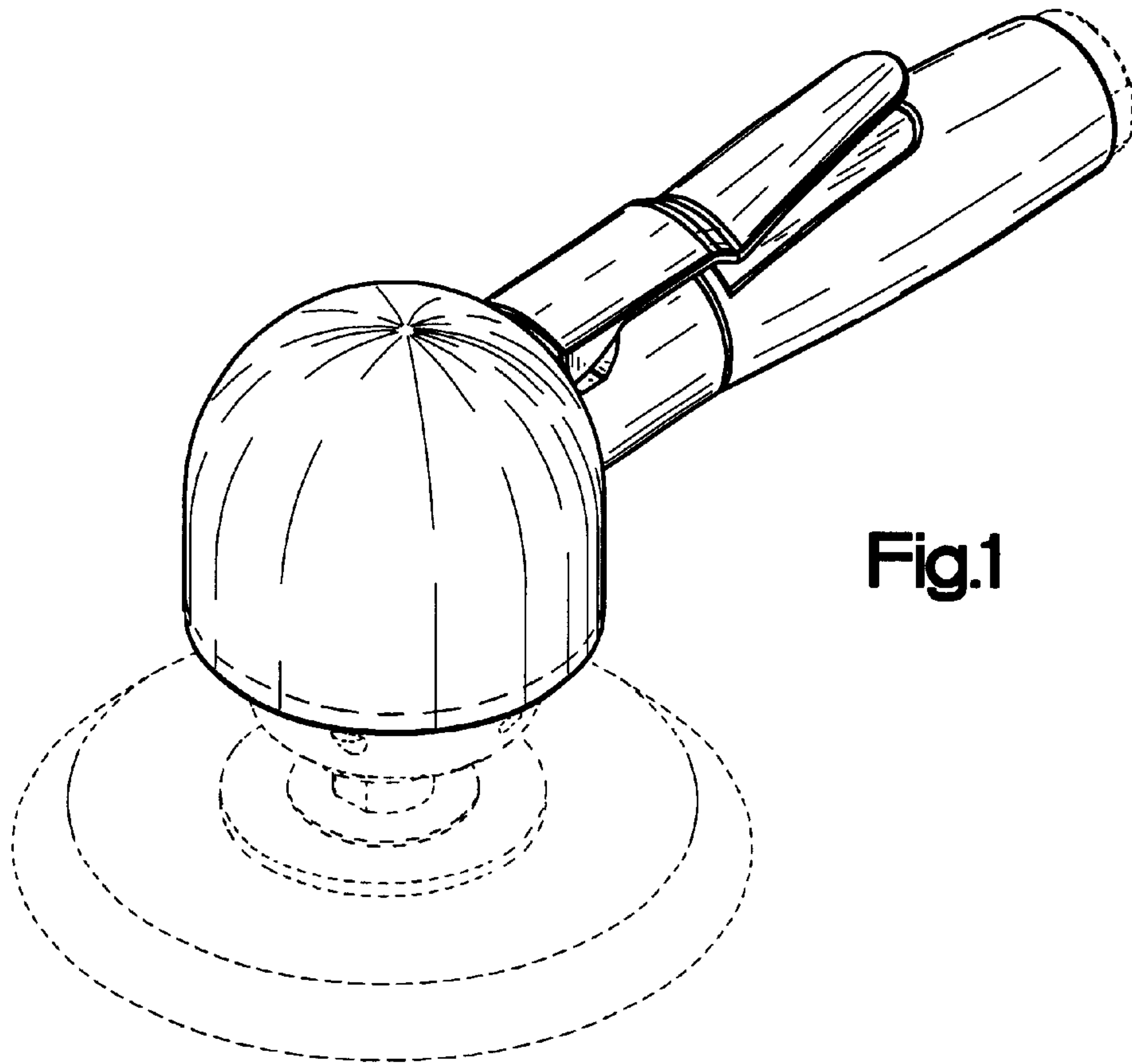


Fig.1

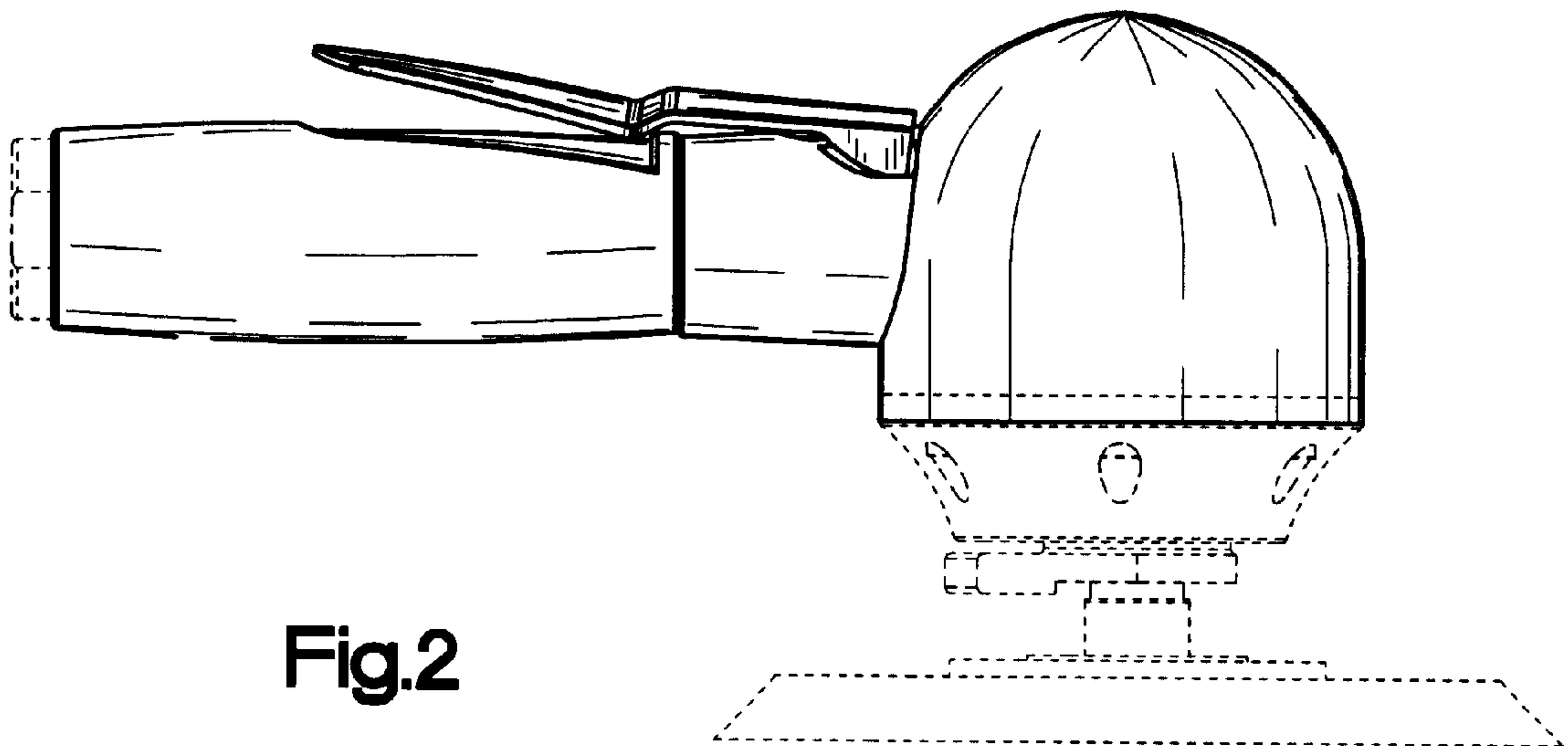


Fig.2

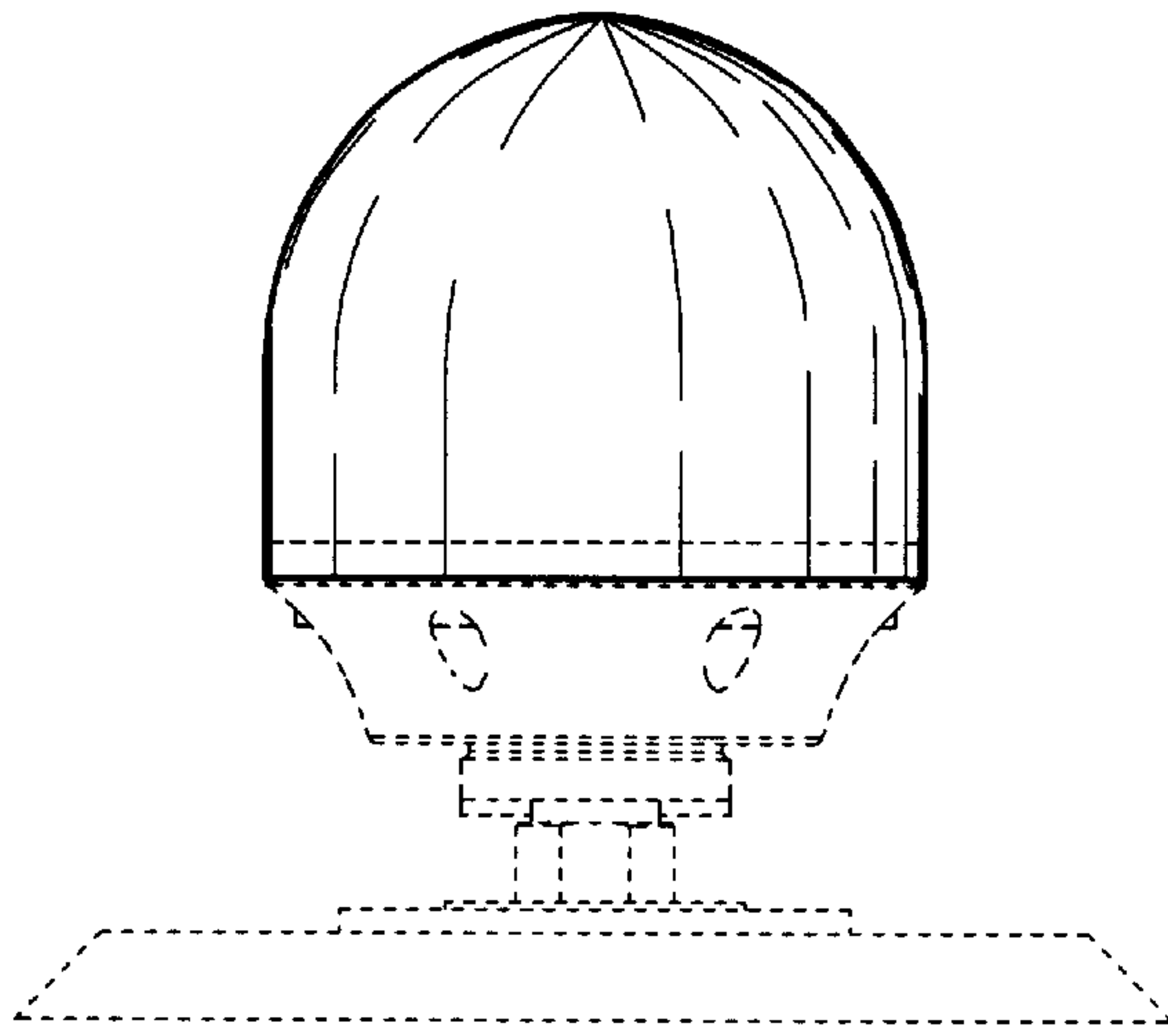


Fig.3

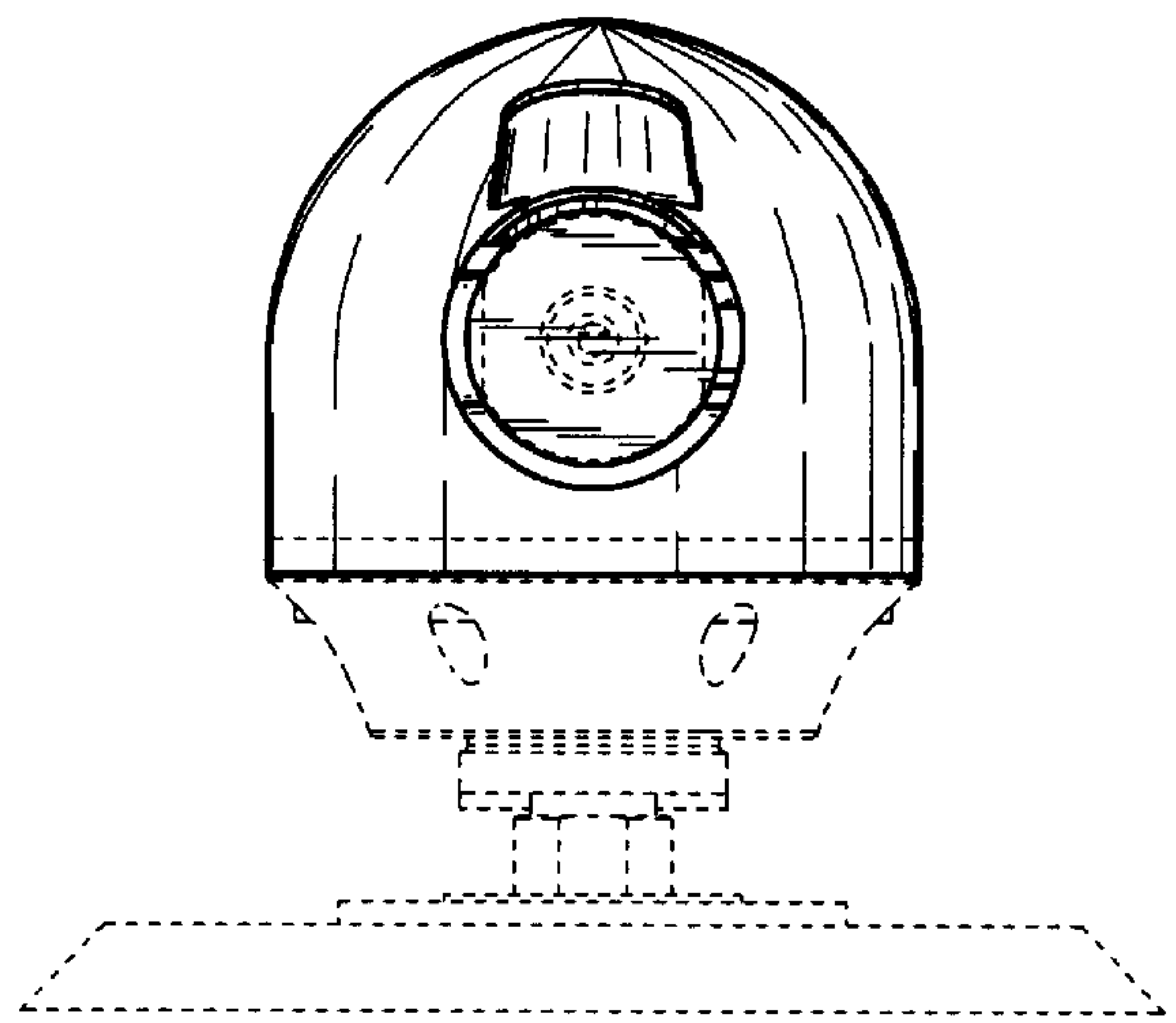


Fig.4

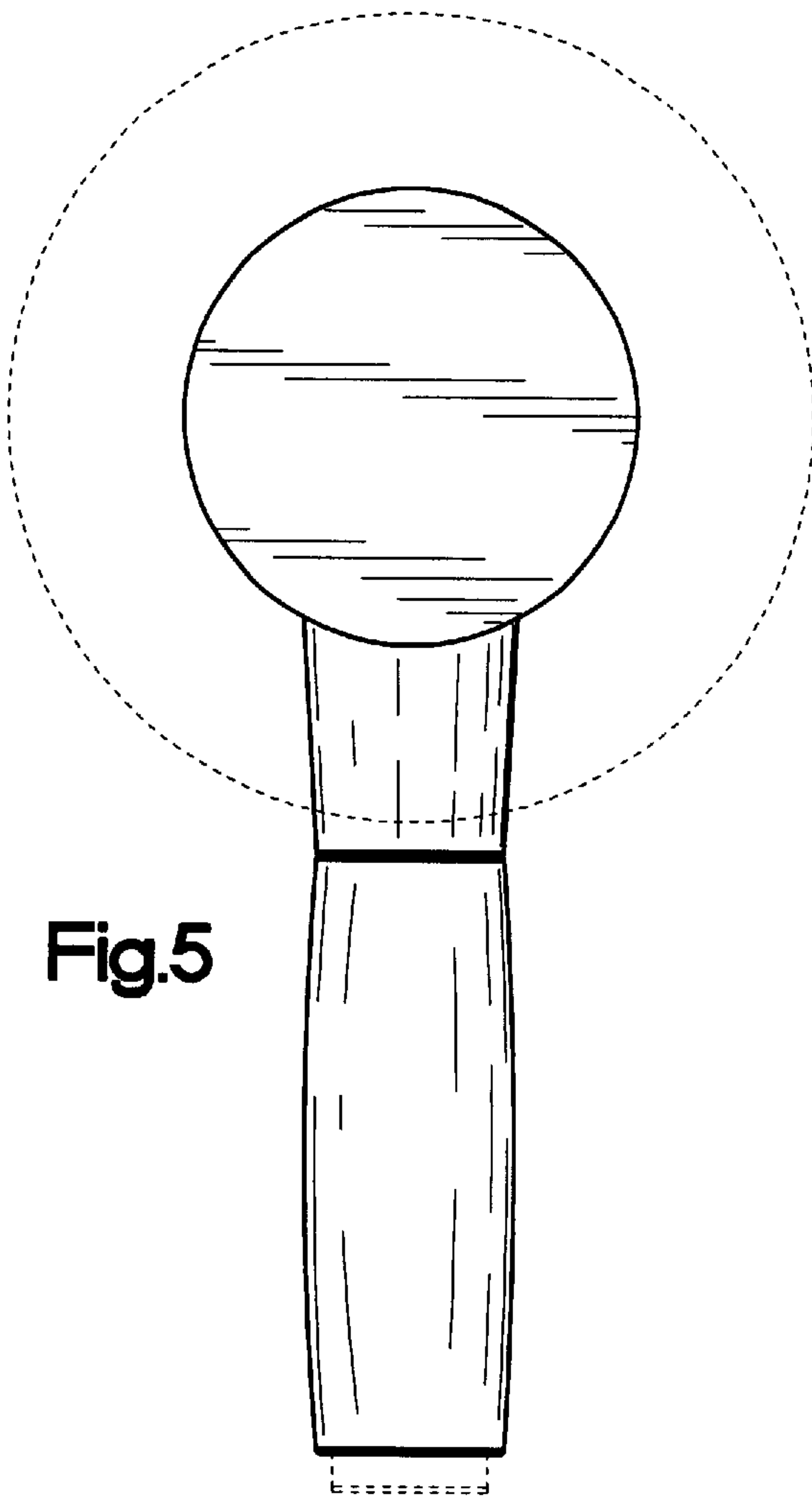


Fig.5

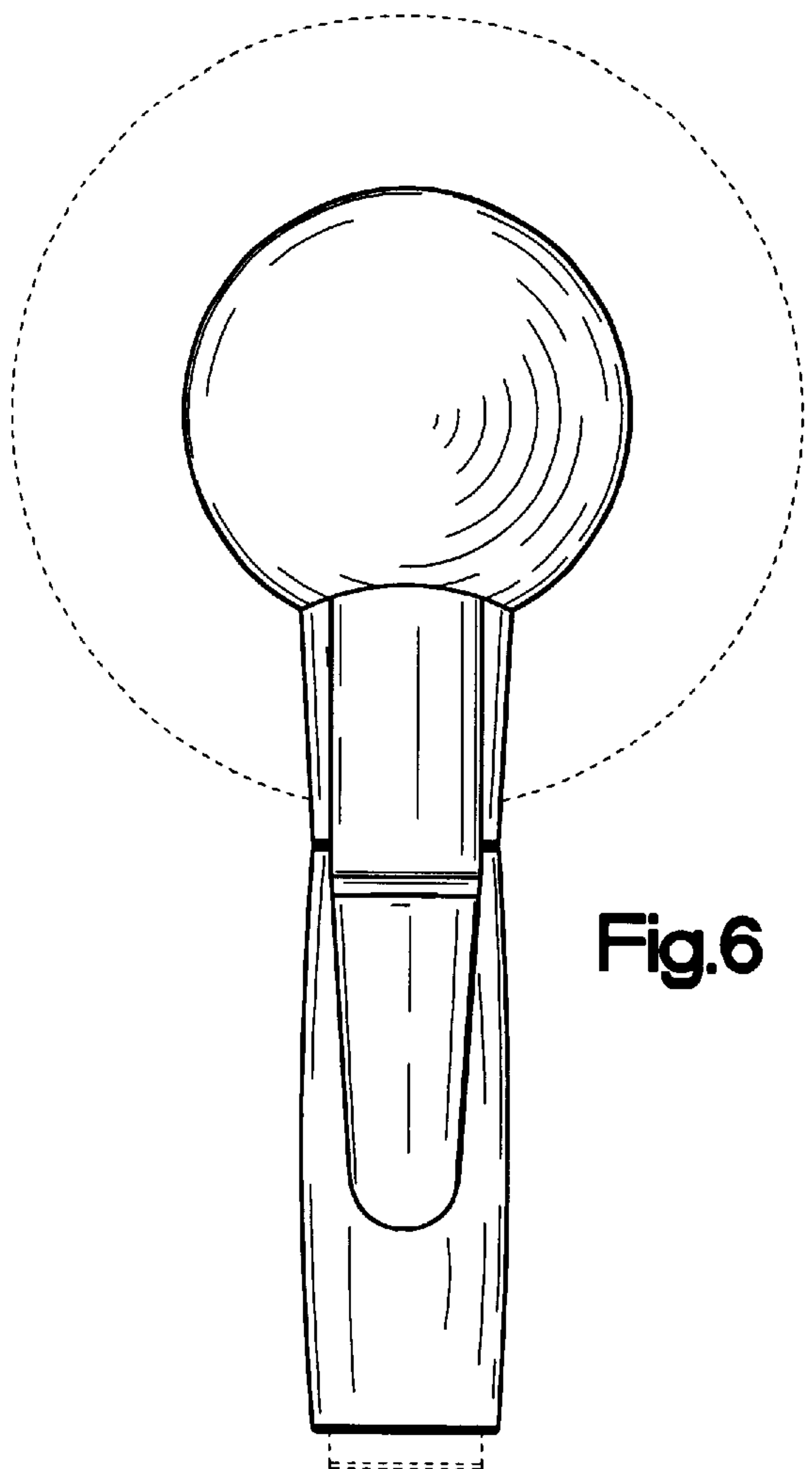


Fig.6