



US00D464546S

(12) **United States Design Patent**
Mauffette

(10) **Patent No.:** **US D464,546 S**

(45) **Date of Patent:** **** Oct. 22, 2002**

(54) **CORKSCREW**

6,073,519 A 6/2000 Eguren 81/3.33

(75) Inventor: **Claude Mauffette**, Montreal (CA)

(73) Assignee: **Trudeau Corporation 1889 Inc.**,
Quebec (CA)

(**) Term: **14 Years**

(21) Appl. No.: **29/152,227**

(22) Filed: **Dec. 19, 2001**

Related U.S. Application Data

(62) Division of application No. 29/130,867, filed on Oct. 11, 2000.

(51) **LOC (7) Cl.** **07-99**

(52) **U.S. Cl.** **D8/40**

(58) **Field of Search** D8/33-43; 7/151-156;
81/3.07-3.49

(56) **References Cited**

U.S. PATENT DOCUMENTS

4,253,351 A	3/1981	Allen	81/3.38
D359,213 S	*	6/1995	Entwistle D8/42
D389,712 S	*	1/1998	Usbeck D8/42
D419,839 S	*	2/2000	Schülein et al. D8/42

OTHER PUBLICATIONS

Collectible Corkscrews by Frédérique Crestin-Billet; ISBN: 2-08010-551-5; English language edition ©2001 Flammarion Inc.; p. 236; "Traifor" corkscrew 1947; French corkscrew.*

* cited by examiner

Primary Examiner—Caron D. Veynar

(74) *Attorney, Agent, or Firm*—Fish & Richardson P.C.

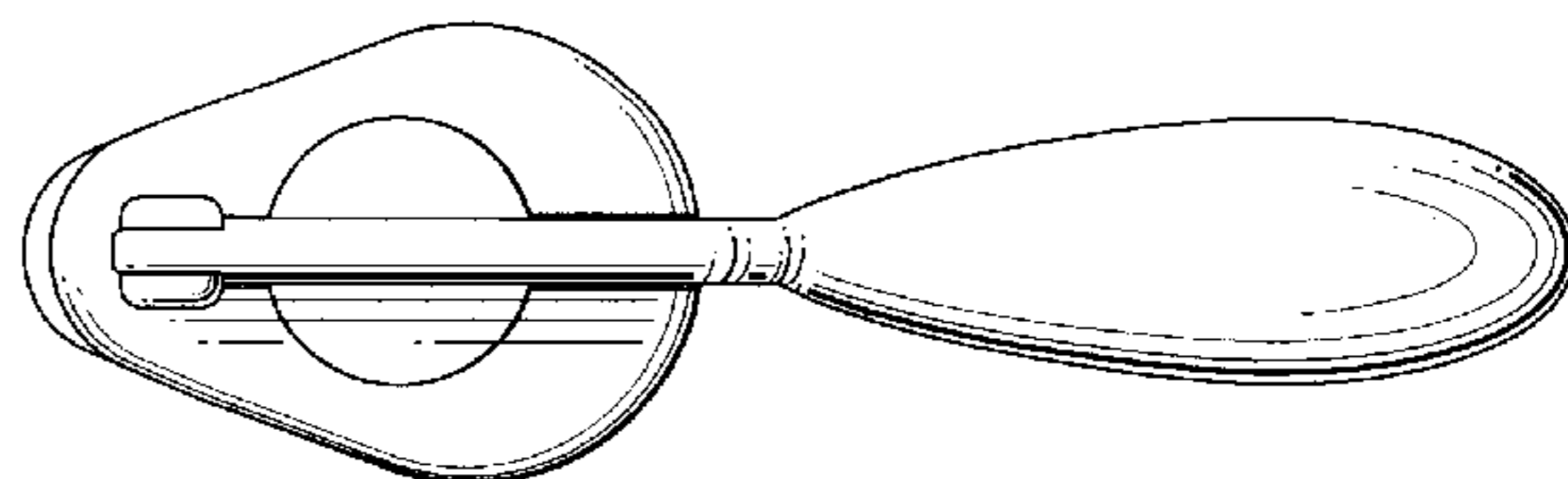
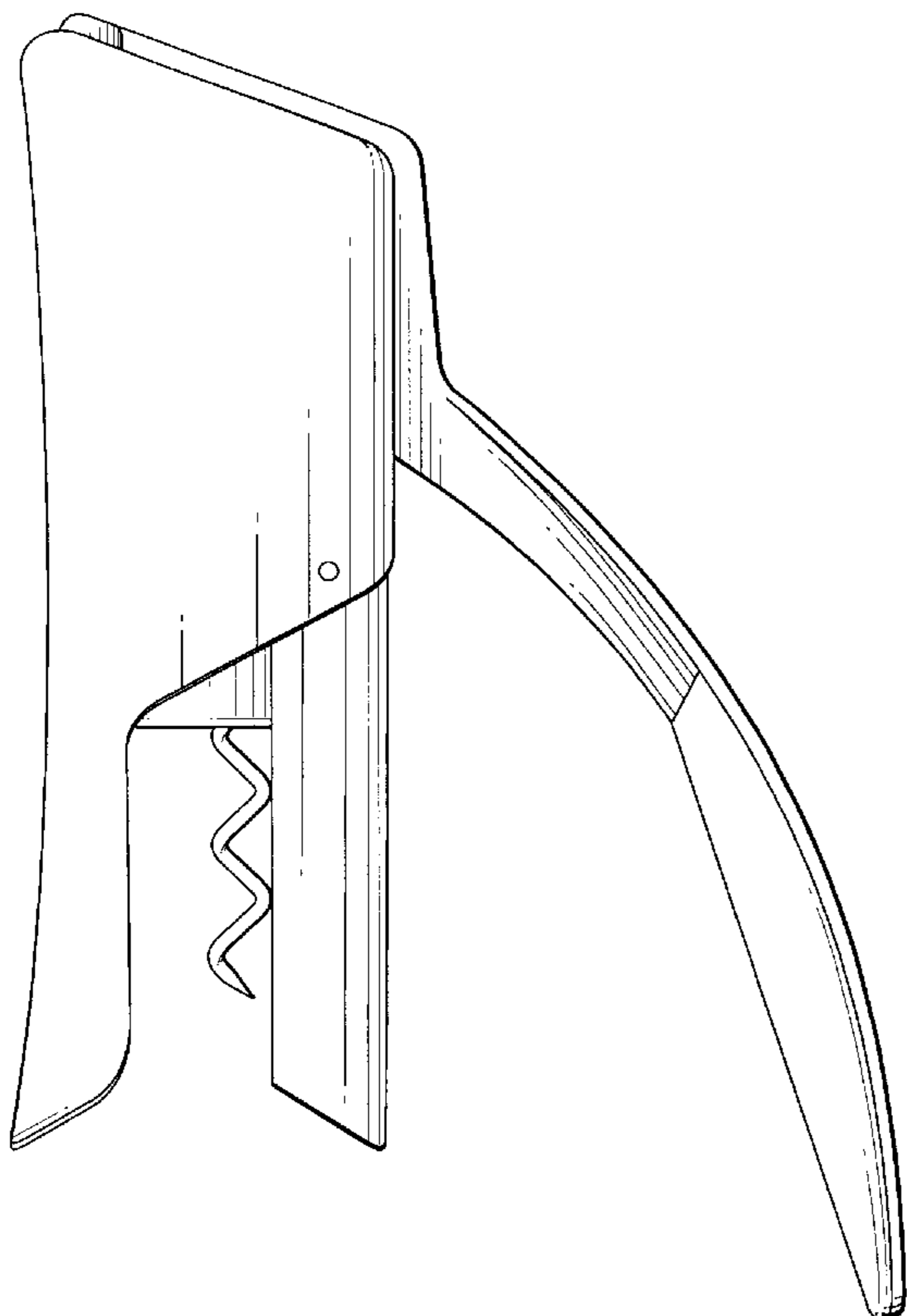
(57) **CLAIM**

The ornamental design for a corkscrew, as shown and described.

DESCRIPTION

FIG. 1 is a left side elevational view of a corkscrew according to the design;
FIG. 2 is a top plan view of the corkscrew of FIG. 1;
FIG. 3 is a bottom plan view of the corkscrew of FIG. 1;
FIG. 4 is a rear elevational view of the corkscrew of FIG. 1;
FIG. 5 is a right side elevational view of the corkscrew of FIG. 1; and,
FIG. 6 is a front elevational view of the corkscrew of FIG. 1.

1 Claim, 2 Drawing Sheets



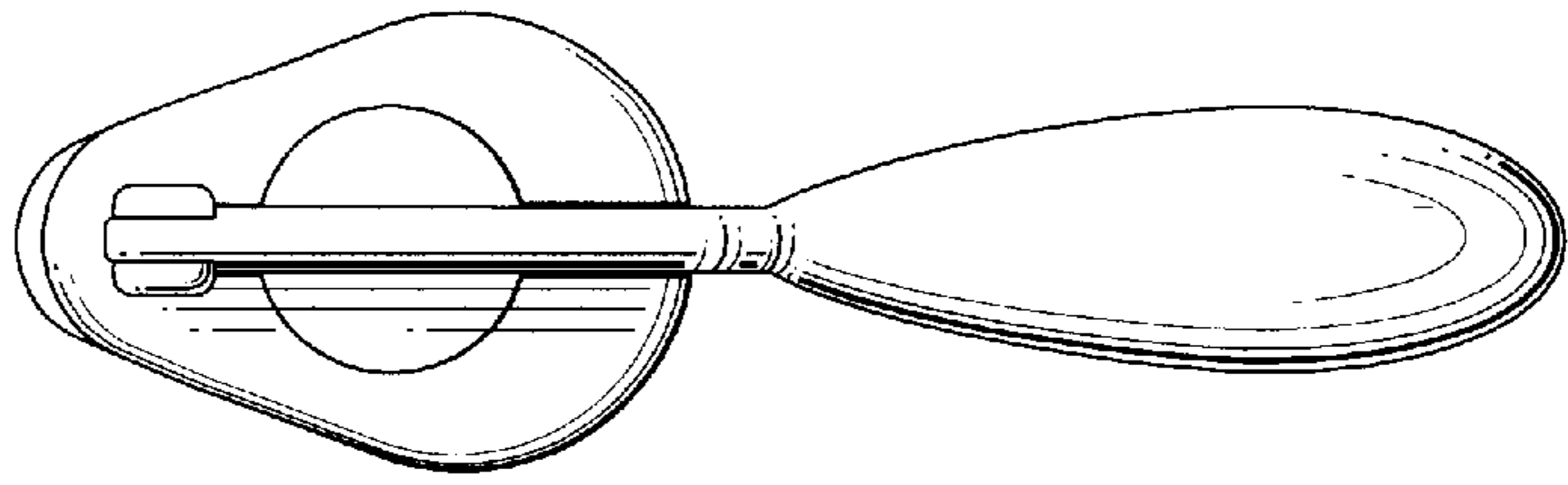


Fig. 2

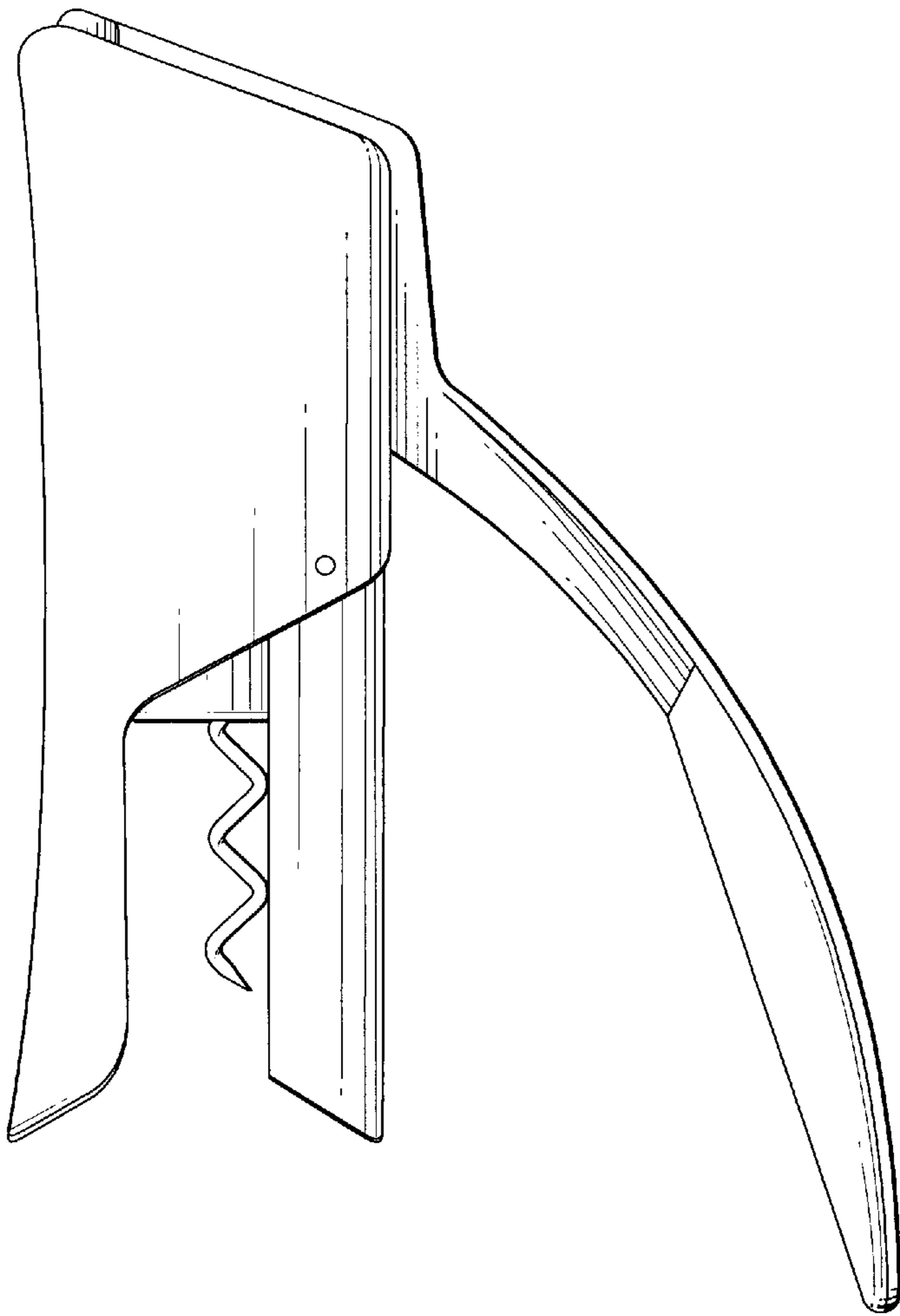


Fig. 1

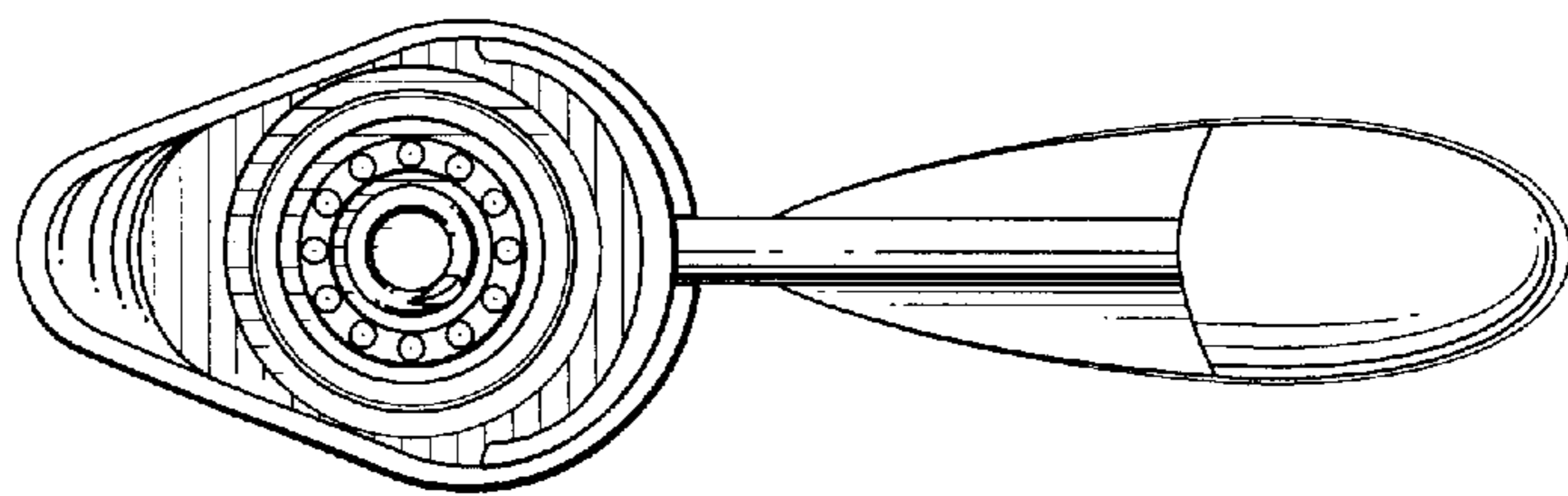


Fig. 3

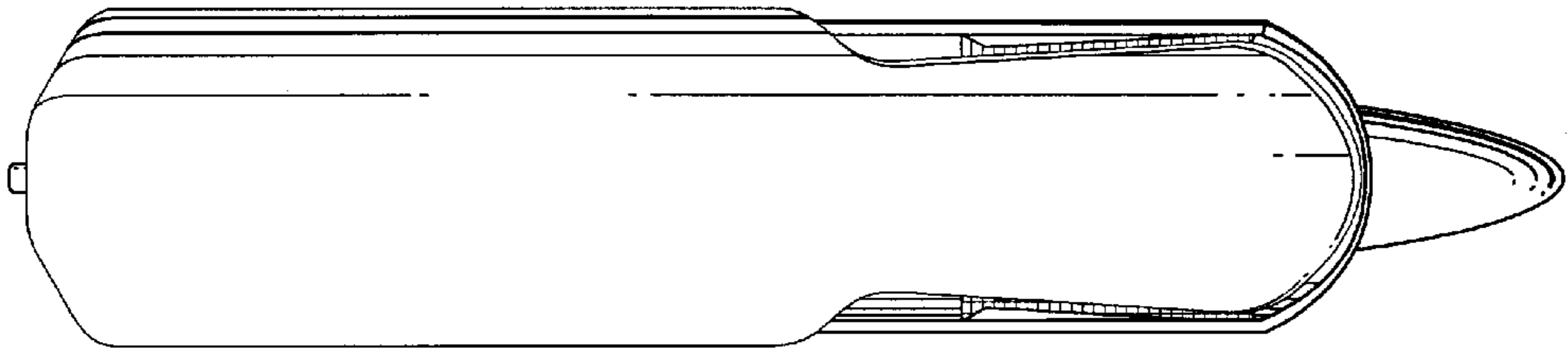


Fig. 6

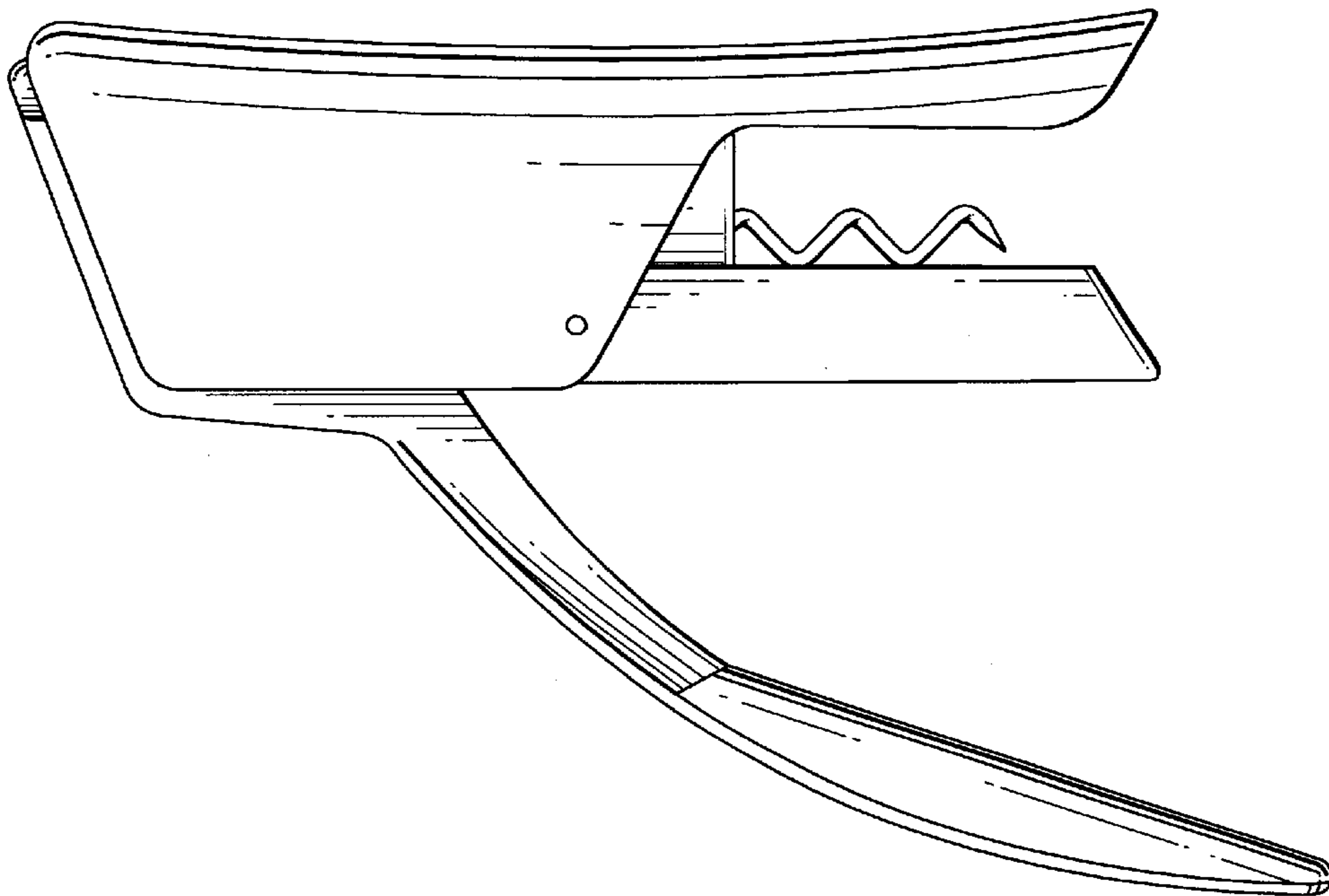


Fig. 5

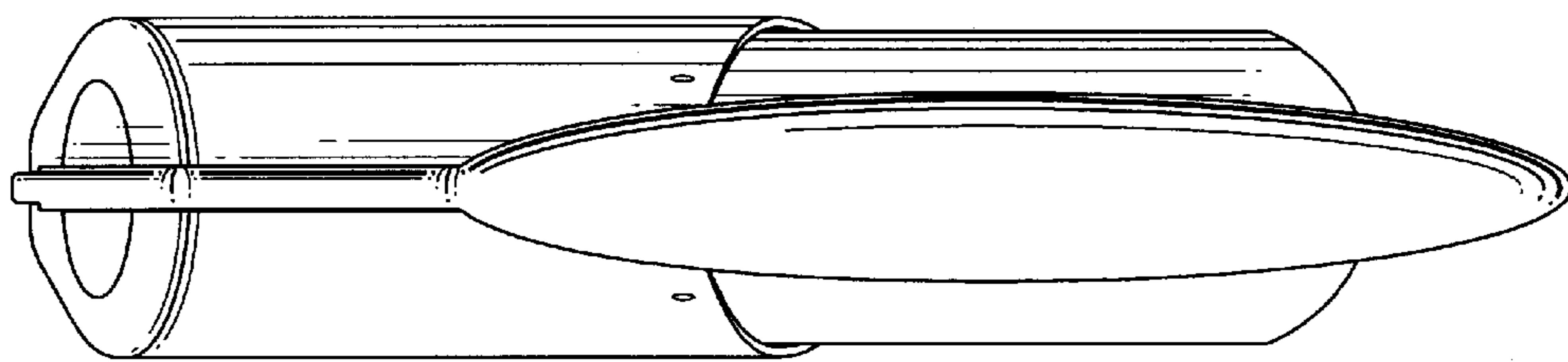


Fig. 4