

US00D464545S

(12) **United States Design Patent**
Marty et al.

(10) **Patent No.:** **US D464,545 S**

(45) **Date of Patent:** **** Oct. 22, 2002**

(54) **WRENCH**

(75) Inventors: **Garry Marty**, Fishers, IN (US); **Derek Brown**, Avon, IN (US); **Jacob Jones**, Connersville, IN (US)

(73) Assignee: **Masco Corporation of Indiana**, Indianapolis, IN (US)

(**) Term: **14 Years**

(21) Appl. No.: **29/146,379**

(22) Filed: **Aug. 8, 2001**

(51) **LOC (7) Cl.** **08-05**

(52) **U.S. Cl.** **D8/21; D8/29**

(58) **Field of Search** D8/21-29; 81/60-63.2, 81/177.1, 177.85, 177.8, 121.1, 124.3

(56) **References Cited**

U.S. PATENT DOCUMENTS

D45,165 S	*	1/1914	Warren	
D142,054 S	*	8/1945	Young	
3,452,373 A		7/1969	Vosbikian et al.	
3,935,760 A		2/1976	Taylor	
4,357,845 A		11/1982	Cornia	
4,502,365 A	*	3/1985	Hacker	
4,602,534 A	*	7/1986	Moetteli	81/177.85
D318,997 S	*	8/1991	Baker	D8/29
D319,562 S	*	9/1991	Ballard	D8/29
5,101,695 A		4/1992	Johnson	
5,542,321 A		8/1996	Fuca	
5,669,404 A		9/1997	Guillermo	
D402,517 S	*	12/1998	Gracia et al.	D8/29
5,910,197 A		6/1999	Chaconas	
5,960,681 A		10/1999	Anderson et al.	

5,996,447 A		12/1999	Bayouth	
D437,537 S		2/2001	Carter, Jr.	
6,186,030 B1	*	2/2001	Whitley	81/63.2
6,272,952 B1	*	8/2001	Hsu et al.	81/63.1

* cited by examiner

Primary Examiner—Raphael Barkai

(74) *Attorney, Agent, or Firm*—Kwadjo Adusei-Poku; Lloyd D. Doigan

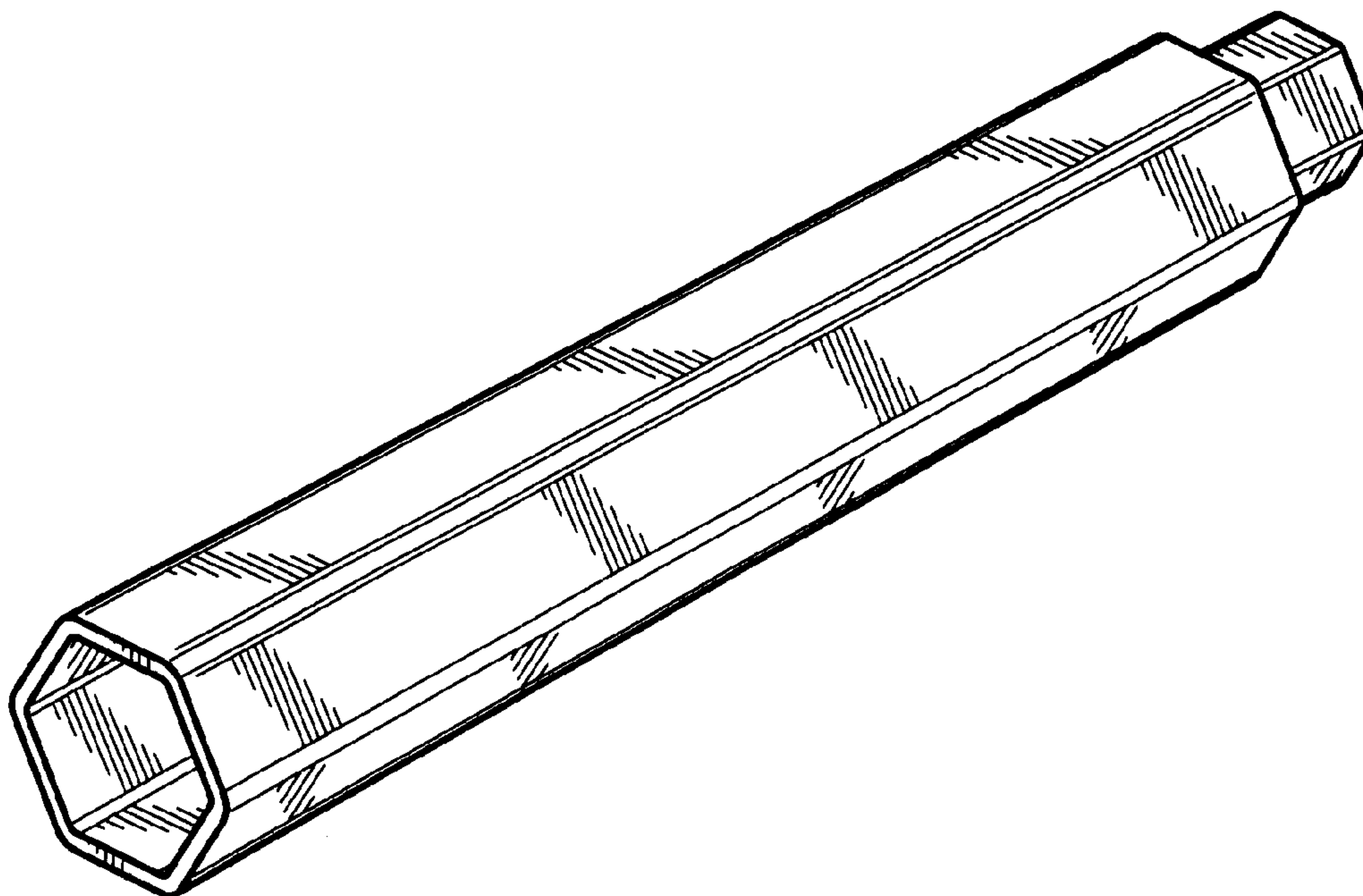
(57) **CLAIM**

The ornamental design for a wrench, as shown and described.

DESCRIPTION

FIG. 1 is a front perspective view of a wrench showing our new design;
 FIG. 2 is a rear perspective view thereof;
 FIG. 3 is a front elevational view thereof;
 FIG. 4 is a side elevational view thereof;
 FIG. 5 is a bottom plan view thereof;
 FIG. 6 is a top plan view thereof;
 FIG. 7 is front perspective view of an alternate embodiment thereof;
 FIG. 8 is a rear perspective view of an alternate embodiment thereof;
 FIG. 9 is a front elevational view of an alternate embodiment thereof;
 FIG. 10 is a side elevational view of an alternate embodiment thereof;
 FIG. 11 is a bottom plan view of an alternate embodiment thereof; and,
 FIG. 12 is a top plan view of an alternate embodiment thereof.

1 Claim, 6 Drawing Sheets



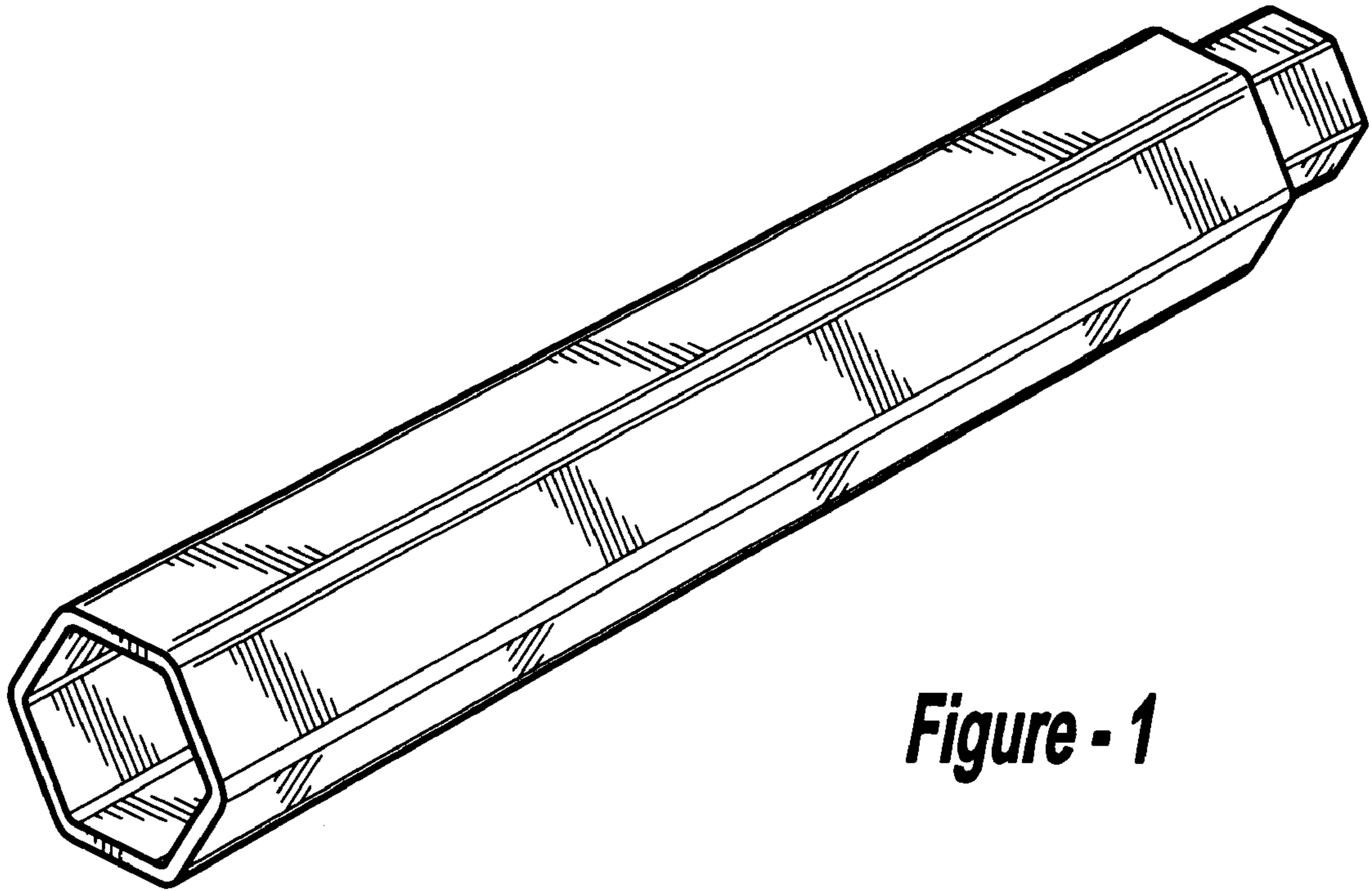


Figure - 1

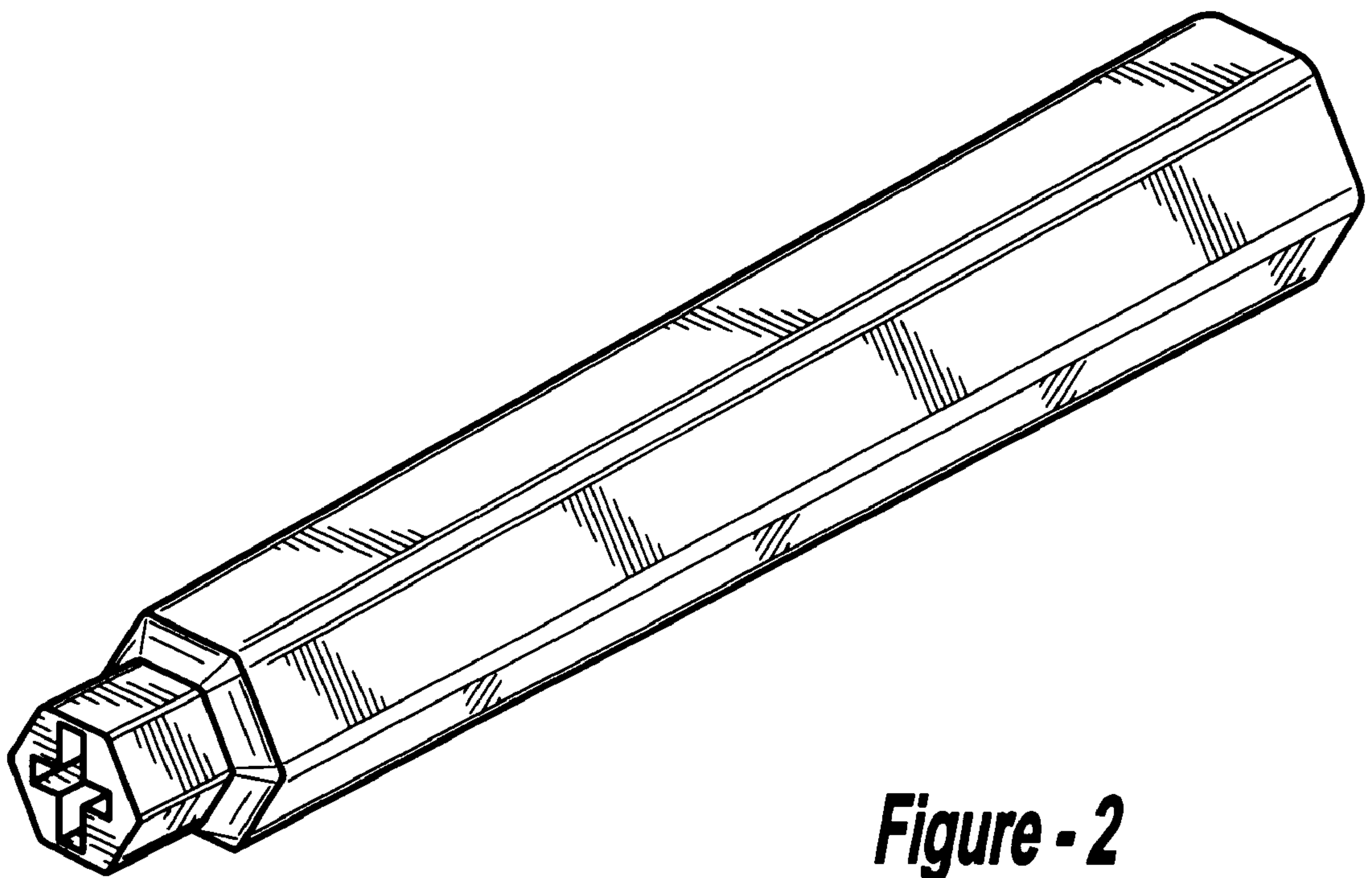


Figure - 2

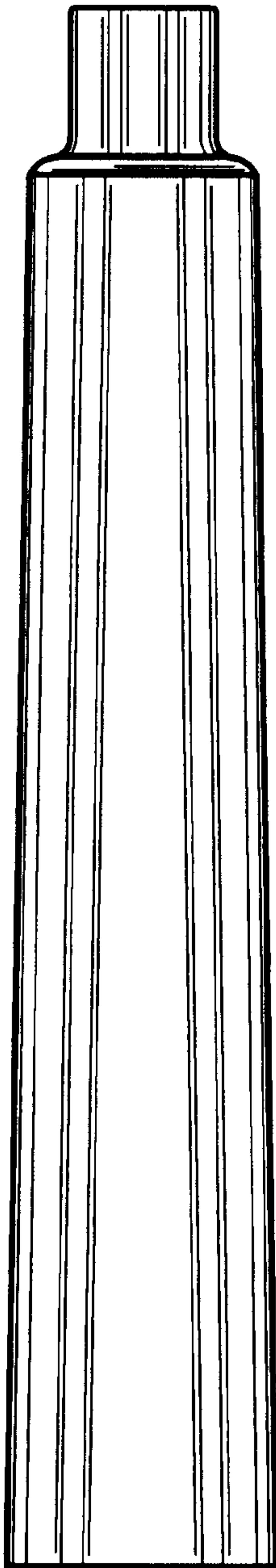


Figure - 3

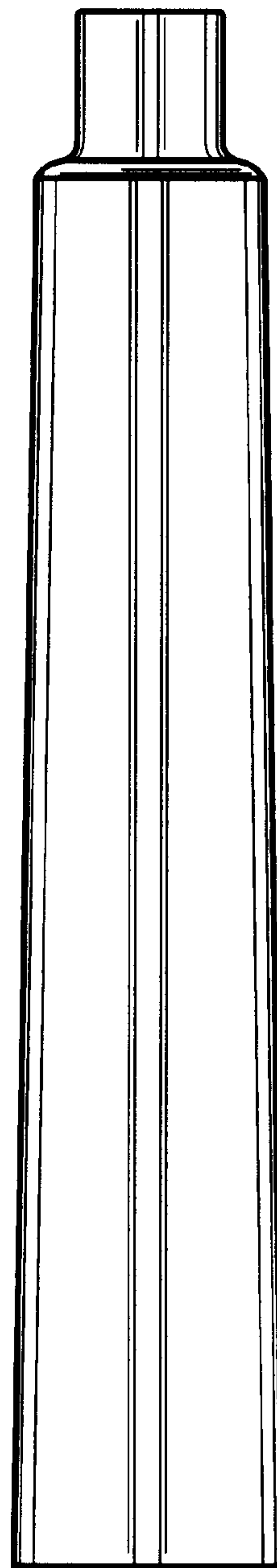


Figure - 4

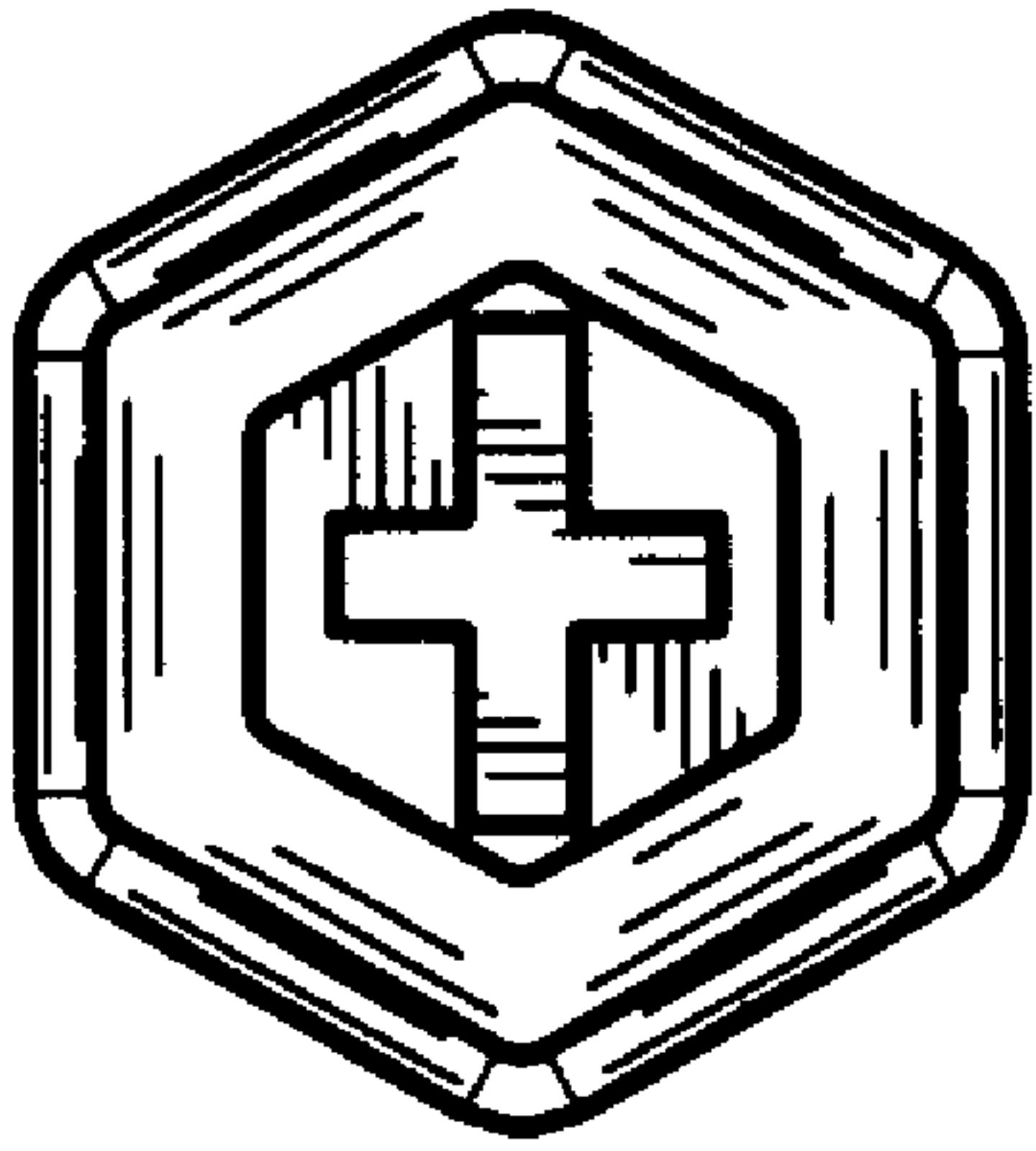


Figure - 5

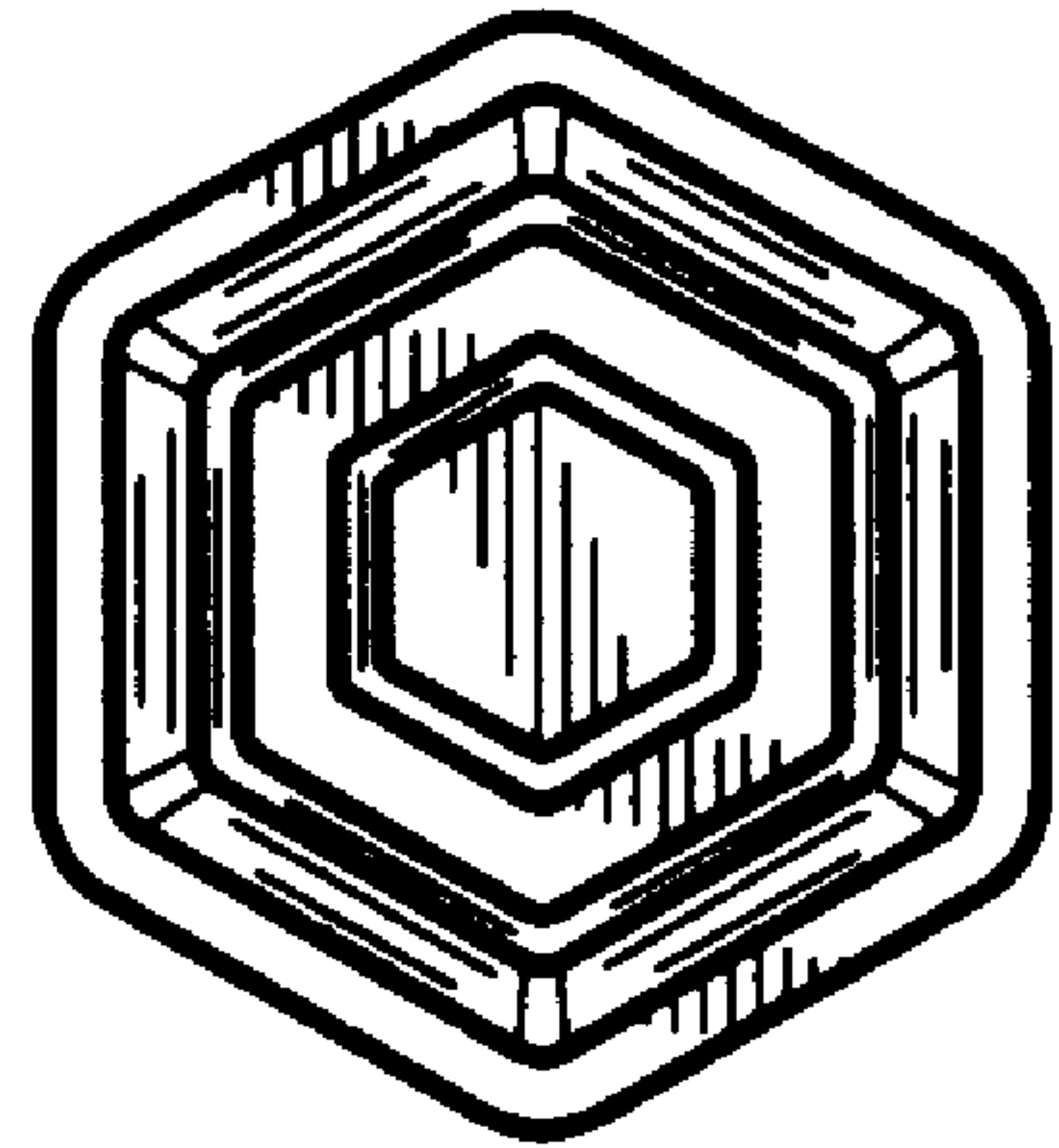


Figure - 6

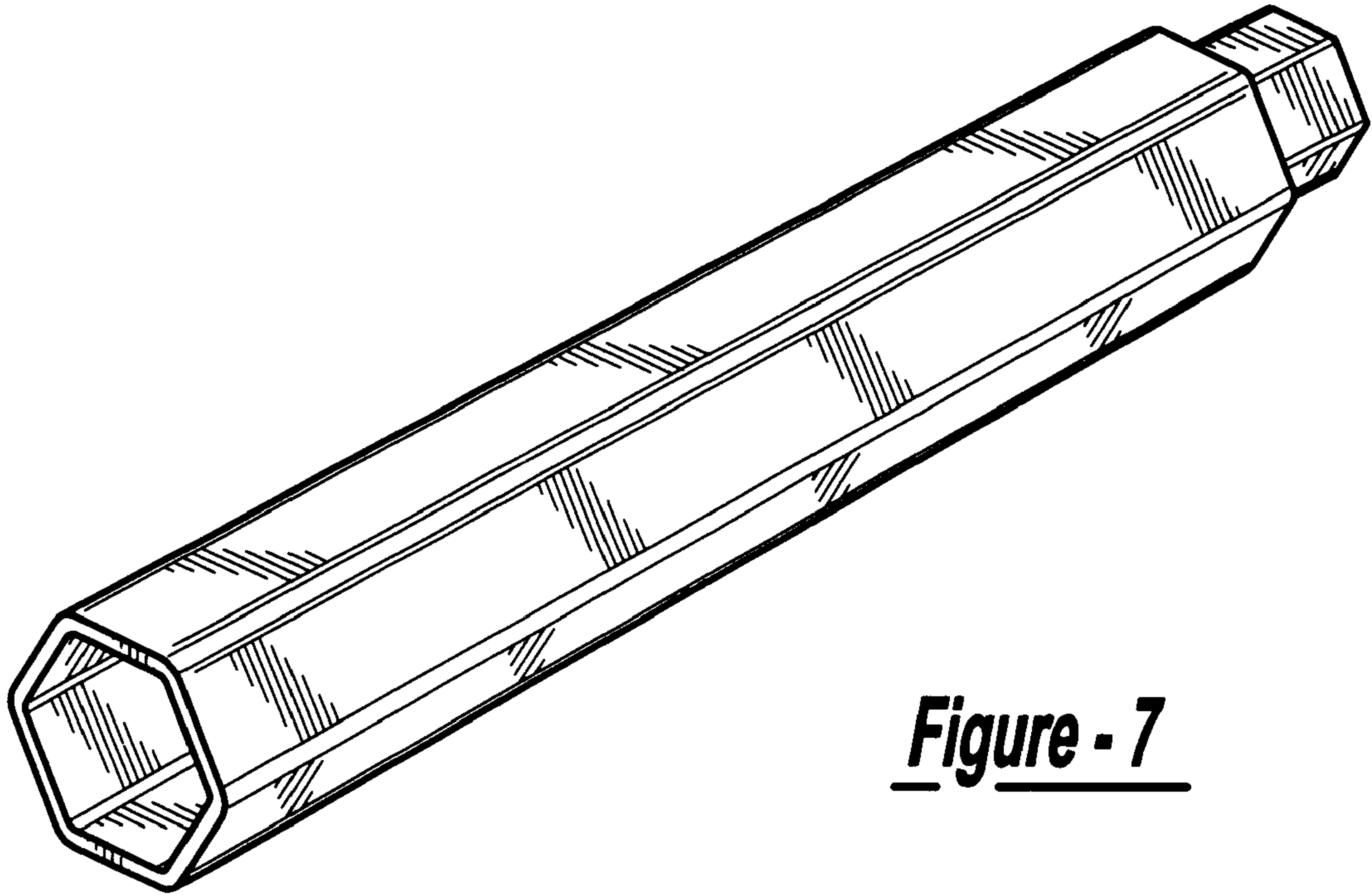


Figure - 7

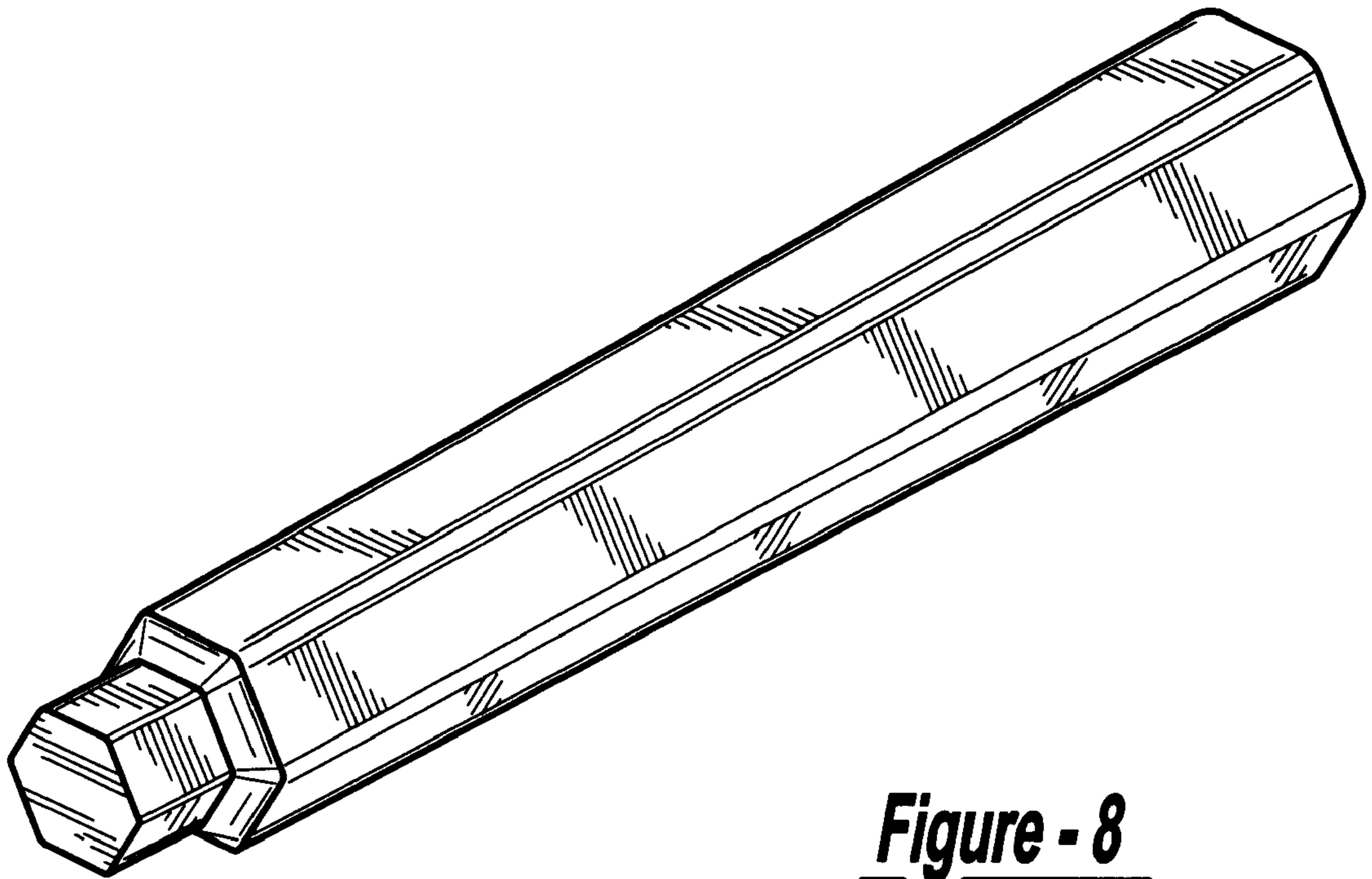


Figure - 8

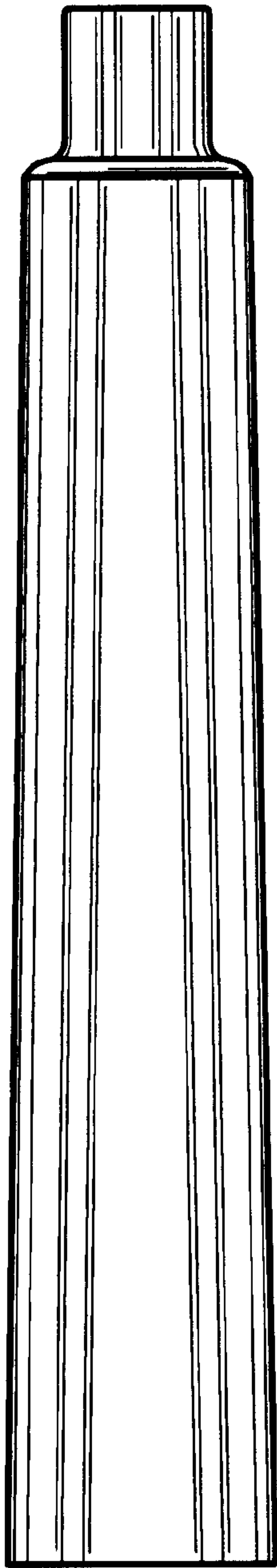


Figure - 9

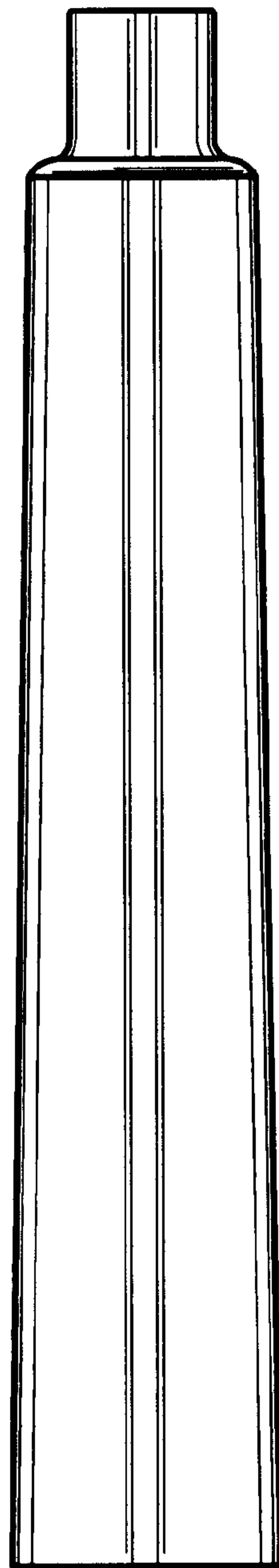


Figure - 10

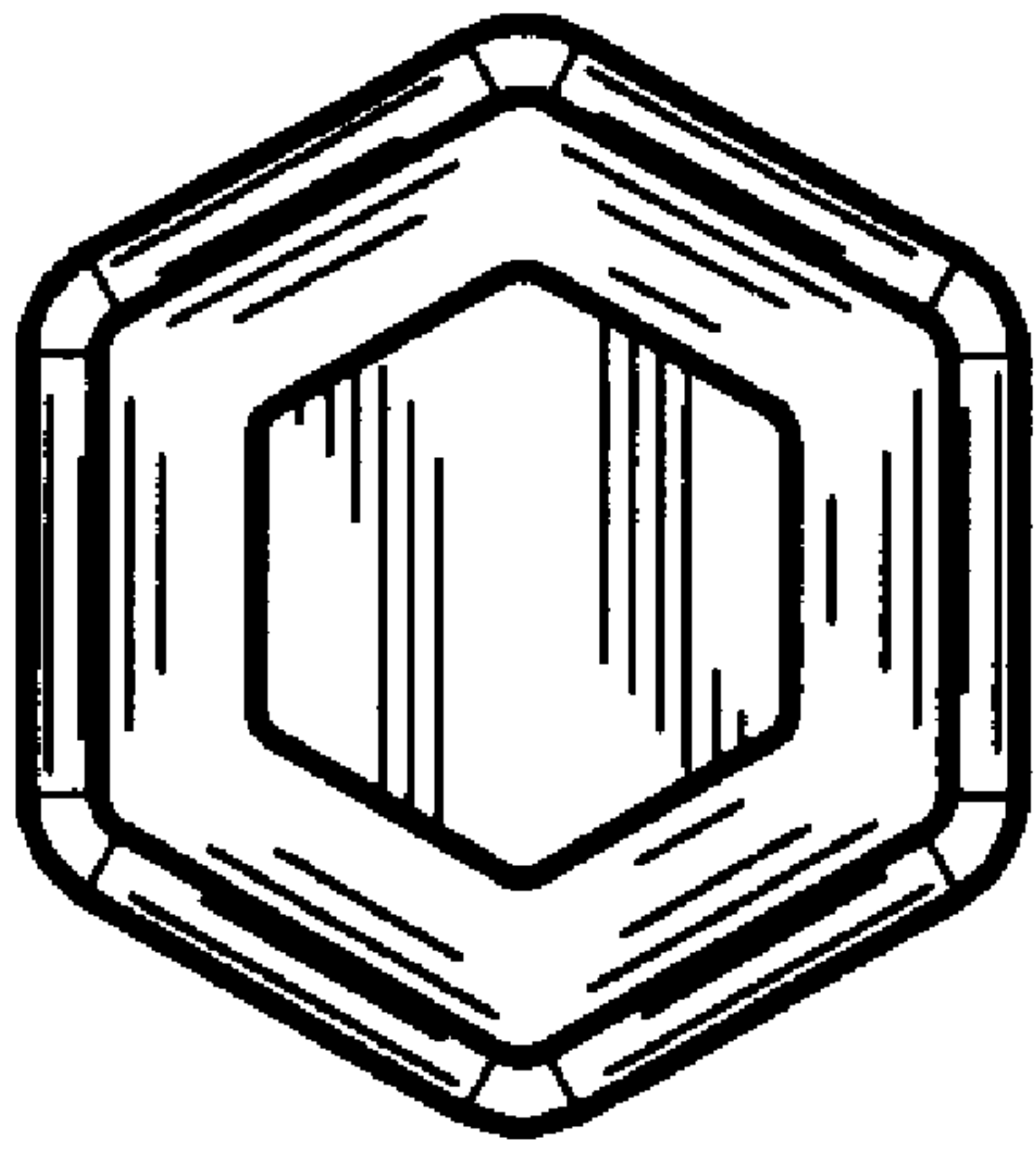


Figure - 11

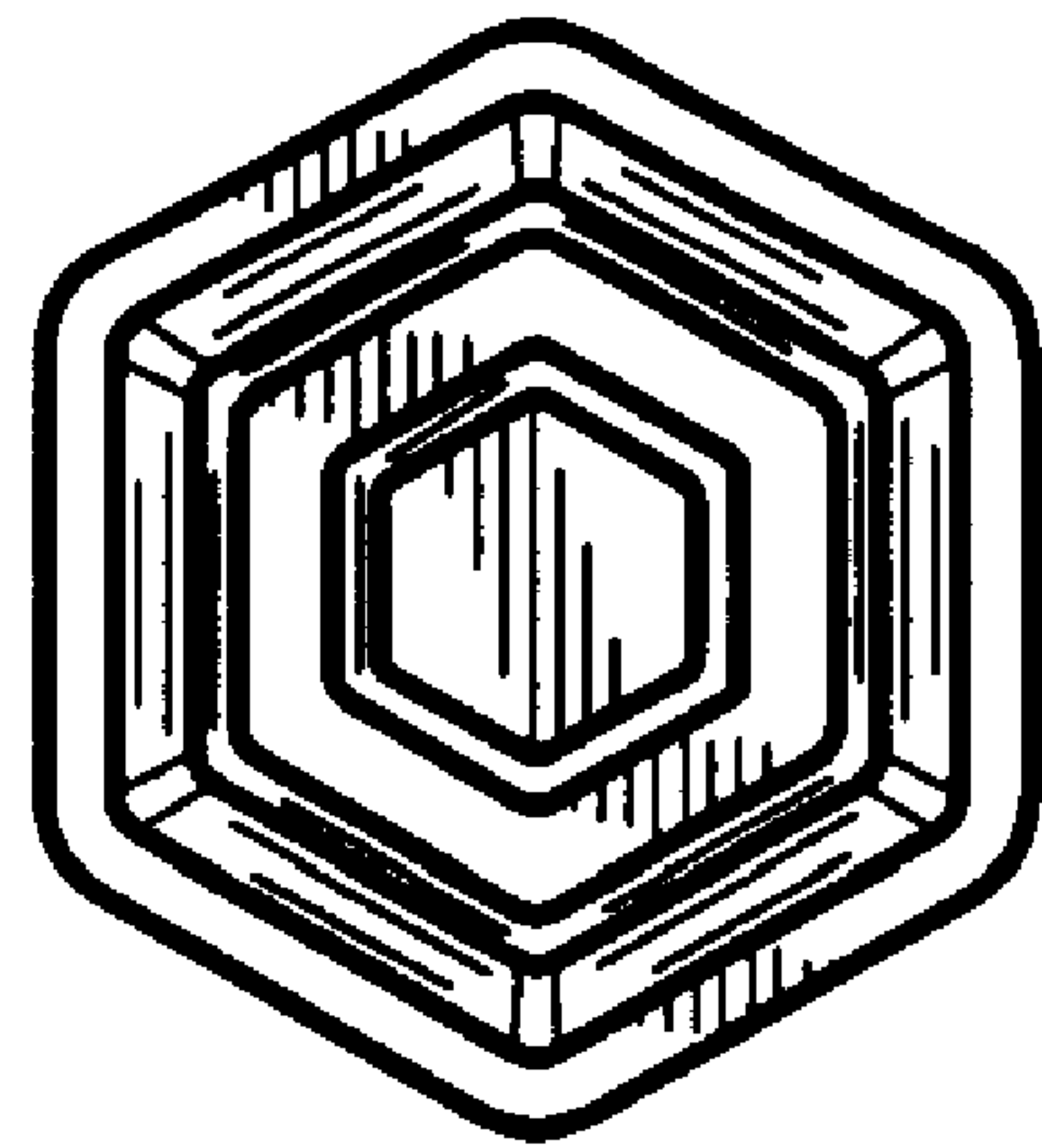


Figure - 12