



US00D464543S

(12) **United States Design Patent**
Deville

(10) **Patent No.:** **US D464,543 S**

(45) **Date of Patent:** **** Oct. 22, 2002**

(54) **PRUNING SHEARS**

D413,052 S * 8/1999 Staton D8/5

(75) Inventor: **Antoine Deville**, Le Vieil-Baugé (FR)

* cited by examiner

(73) Assignee: **Deville SA**, Bauge (FR)

Primary Examiner—Pamela Burgess

(**) Term: **14 Years**

(74) *Attorney, Agent, or Firm*—Abelman, Frayne & Schwab

(21) Appl. No.: **29/156,337**

(22) Filed: **Feb. 25, 2002**

(57) **CLAIM**

The ornamental design for pruning shears, as shown and described above.

(30) **Foreign Application Priority Data**

DESCRIPTION

Aug. 24, 2001 (FR) 01 4966

(51) **LOC (7) Cl.** **08-01**

(52) **U.S. Cl.** **D8/5**

(58) **Field of Search** D8/57, 5, 1, 7,
D8/4; 30/287, 261–262, 252

FIG. 1 is a right side view showing a first embodiment of my new pruning shears design;

FIG. 2 is a top plan view thereof;

FIG. 3. is a front view thereof;

FIG. 4 is a left side view thereof;

FIG. 5 is a rear view thereof;

FIG. 6 is a bottom plan view thereof;

FIG. 7 is a right side view of another embodiment of the pruning shears similar to FIG. 1;

FIG. 8 is a front view of FIG. 7; and,

FIG. 9 is a bottom plan view of FIG. 7.

(56) **References Cited**

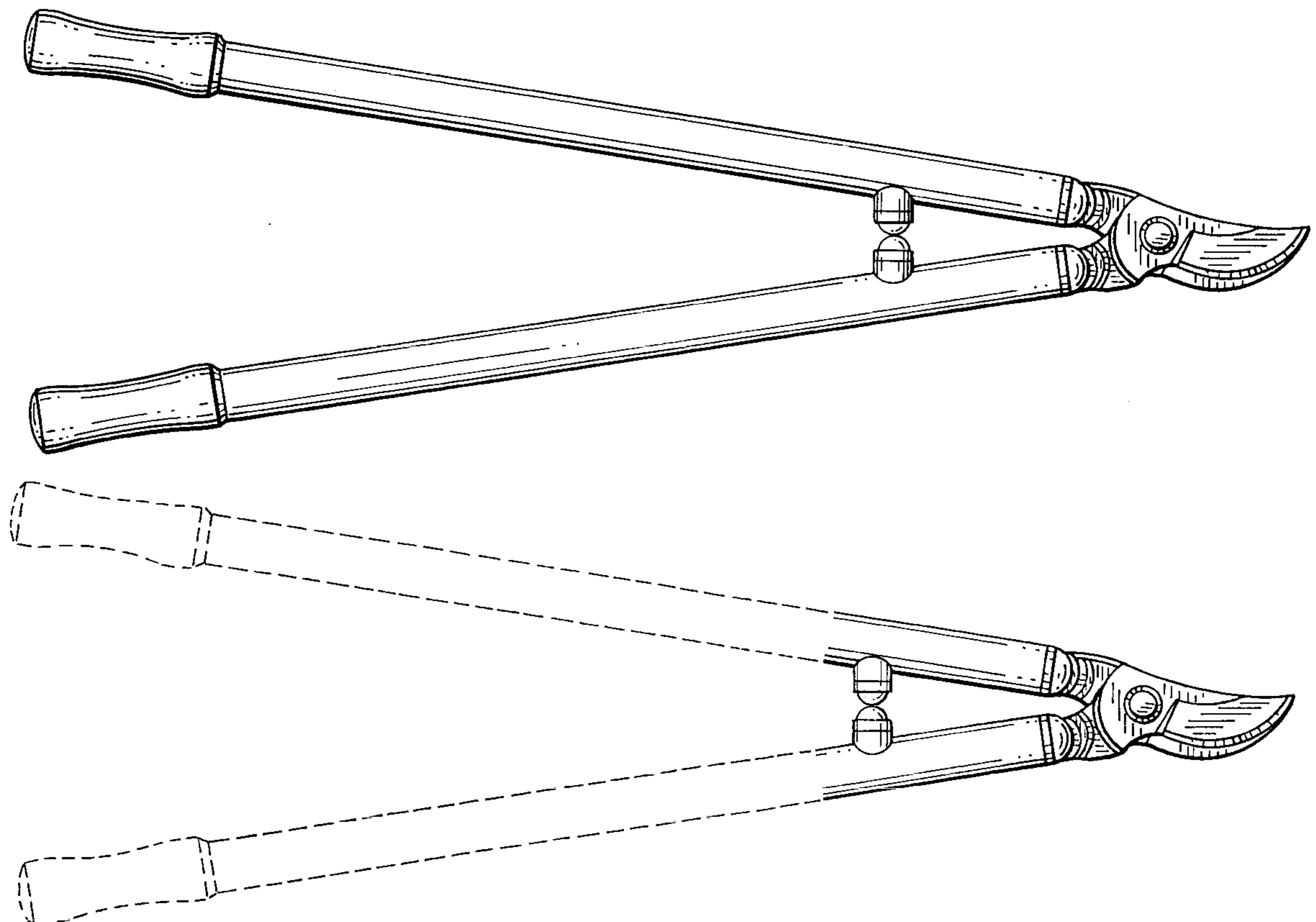
U.S. PATENT DOCUMENTS

D386,369 S * 11/1997 Lin D8/5

D395,581 S * 6/1998 Chai et al. D8/5

D405,663 S * 2/1999 Deville D8/5

1 Claim, 3 Drawing Sheets



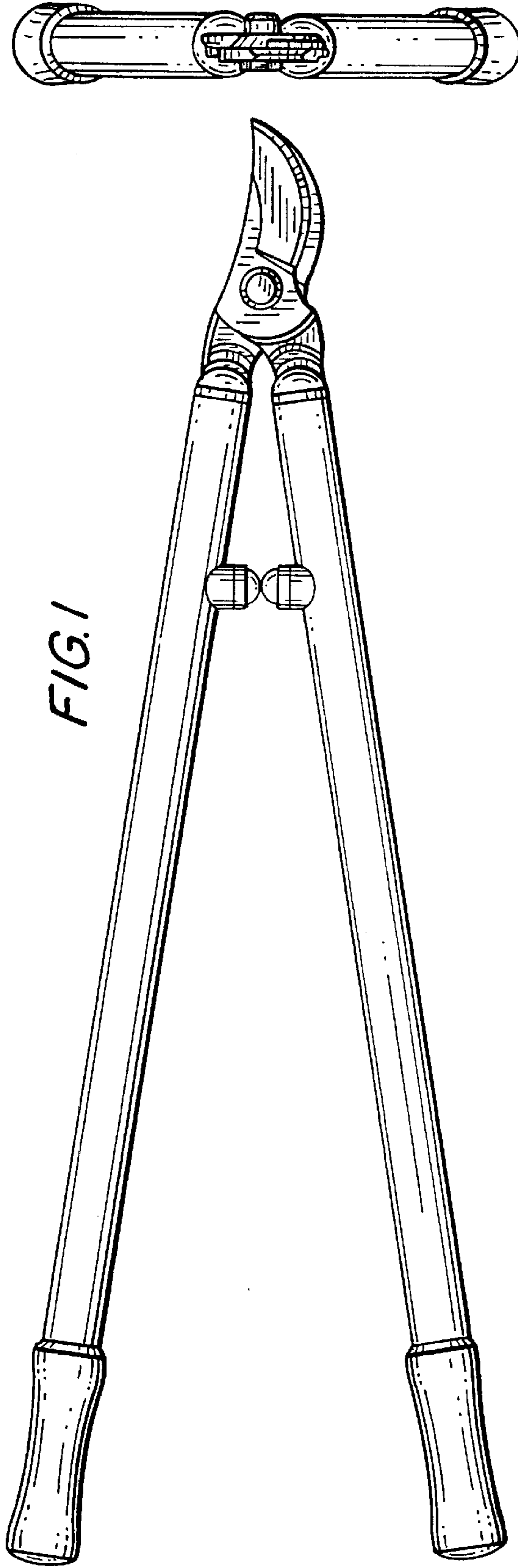


FIG. 1

FIG. 3



FIG. 2

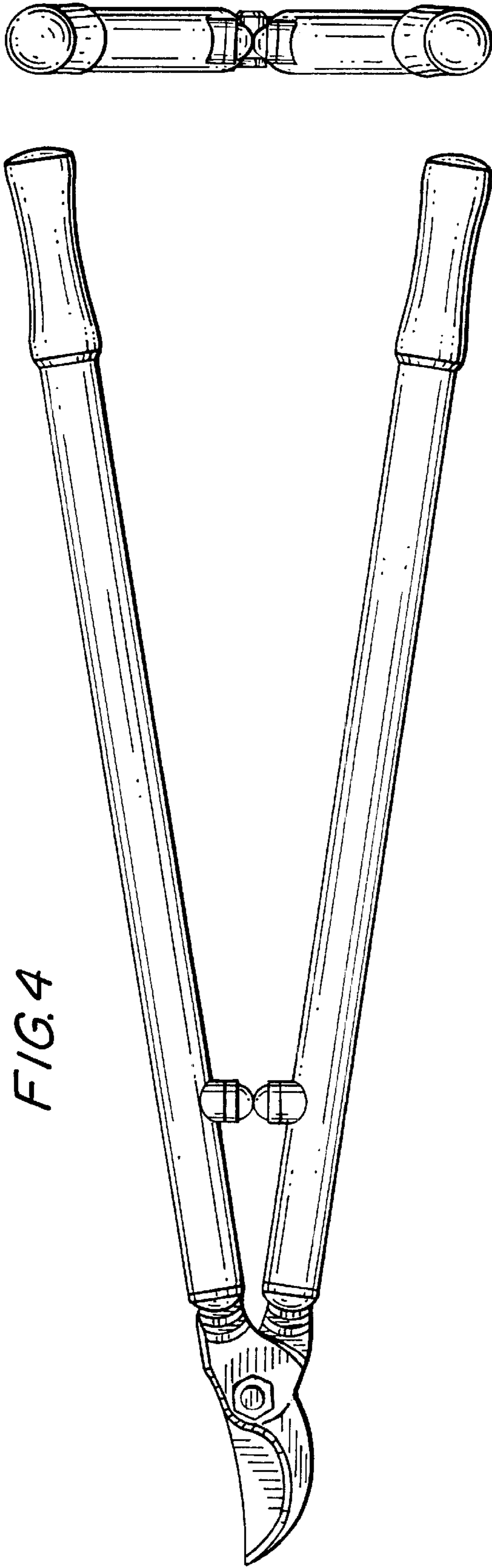


FIG. 4



FIG. 5

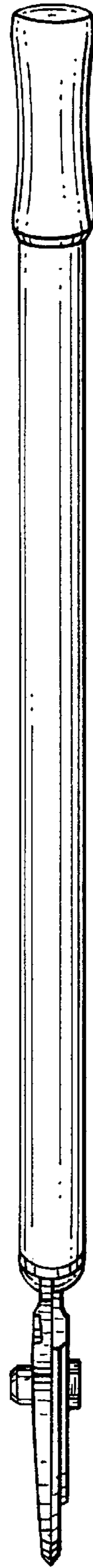


FIG. 6

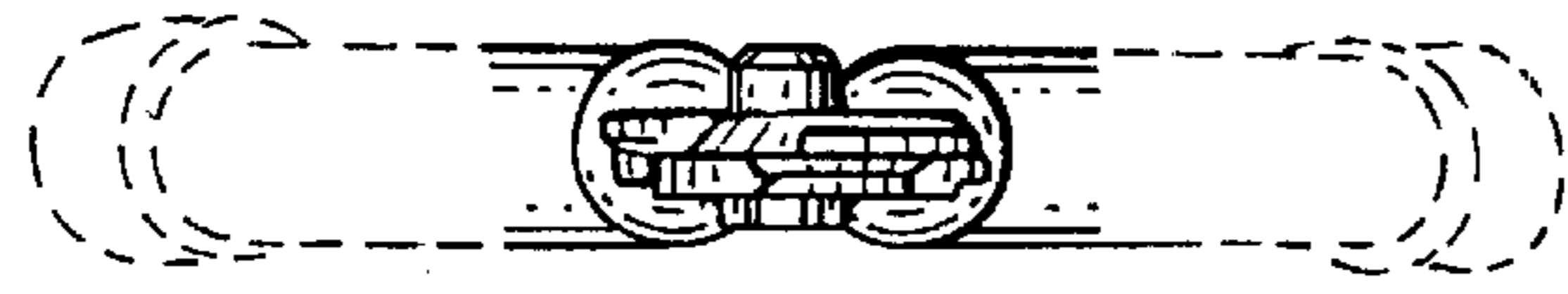


FIG. 8

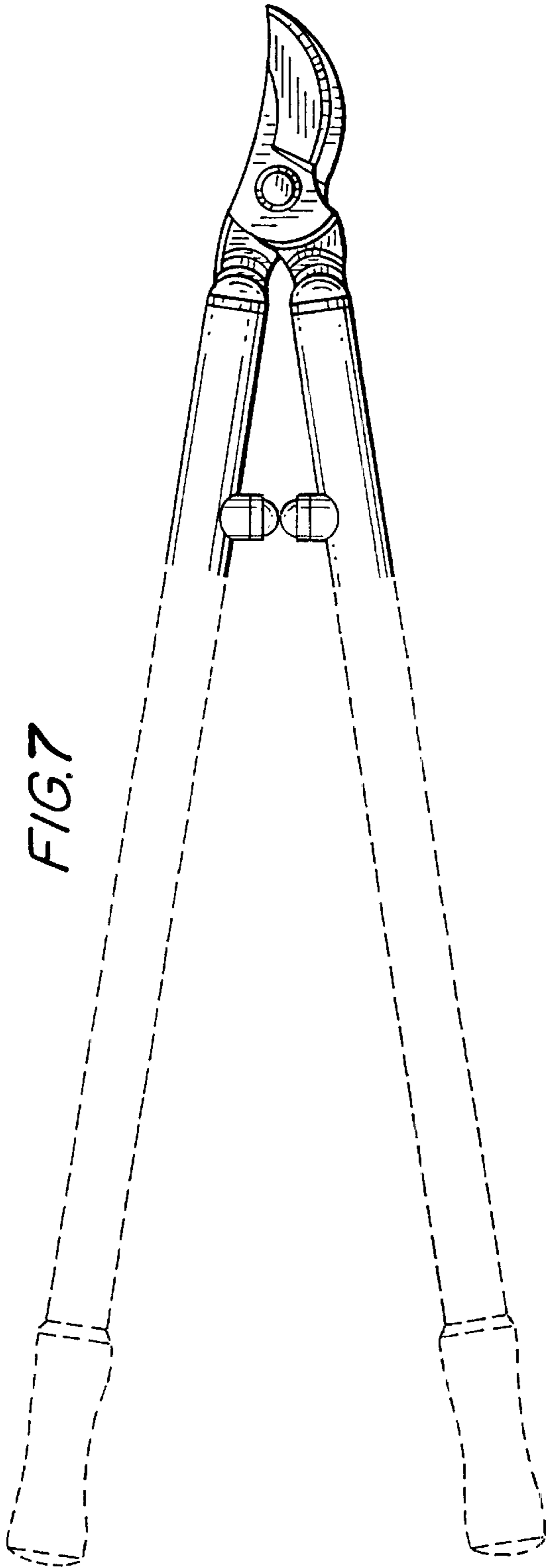


FIG. 7



FIG. 9