



US00D464541S

(12) **United States Design Patent**  
**Richwine et al.**

(10) **Patent No.:** **US D464,541 S**

(45) **Date of Patent:** **\*\* Oct. 22, 2002**

- (54) **ANVIL TYPE HAND PRUNER**
- (75) Inventors: **Karen A. Richwine**, Mechanicsburg, PA (US); **Roger L. Butcher**, Washington, WV (US); **Charles F. T. Merritt**, Southport, CT (US)
- (73) Assignee: **Ames True Temper, Inc.**, Camp Hill, PA (US)
- (\*\*) Term: **14 Years**
- (21) Appl. No.: **29/150,250**
- (22) Filed: **Nov. 16, 2001**
- (51) **LOC (7) Cl.** ..... **08-01**
- (52) **U.S. Cl.** ..... **D8/5**
- (58) **Field of Search** ..... D8/1, 4, 5; 30/287, 30/261, 262, 252

- D341,527 S \* 11/1993 Clivio ..... D8/5
- 5,263,254 A 11/1993 Orthey
- D346,538 S 5/1994 Florian
- 5,727,319 A 3/1998 Myerchin et al.
- D398,499 S \* 9/1998 Ronan ..... D8/5
- D416,458 S 11/1999 Kun-Meng
- D427,036 S \* 6/2000 Ronan ..... D8/5
- D434,955 S 12/2000 Ronan
- D436,815 S 1/2001 Yang

\* cited by examiner

*Primary Examiner*—Robin V. Taylor

(74) *Attorney, Agent, or Firm*—Pillsbury Winthrop LLP

(57) **CLAIM**

The ornamental design for an anvil type hand pruner, as shown and described.

**DESCRIPTION**

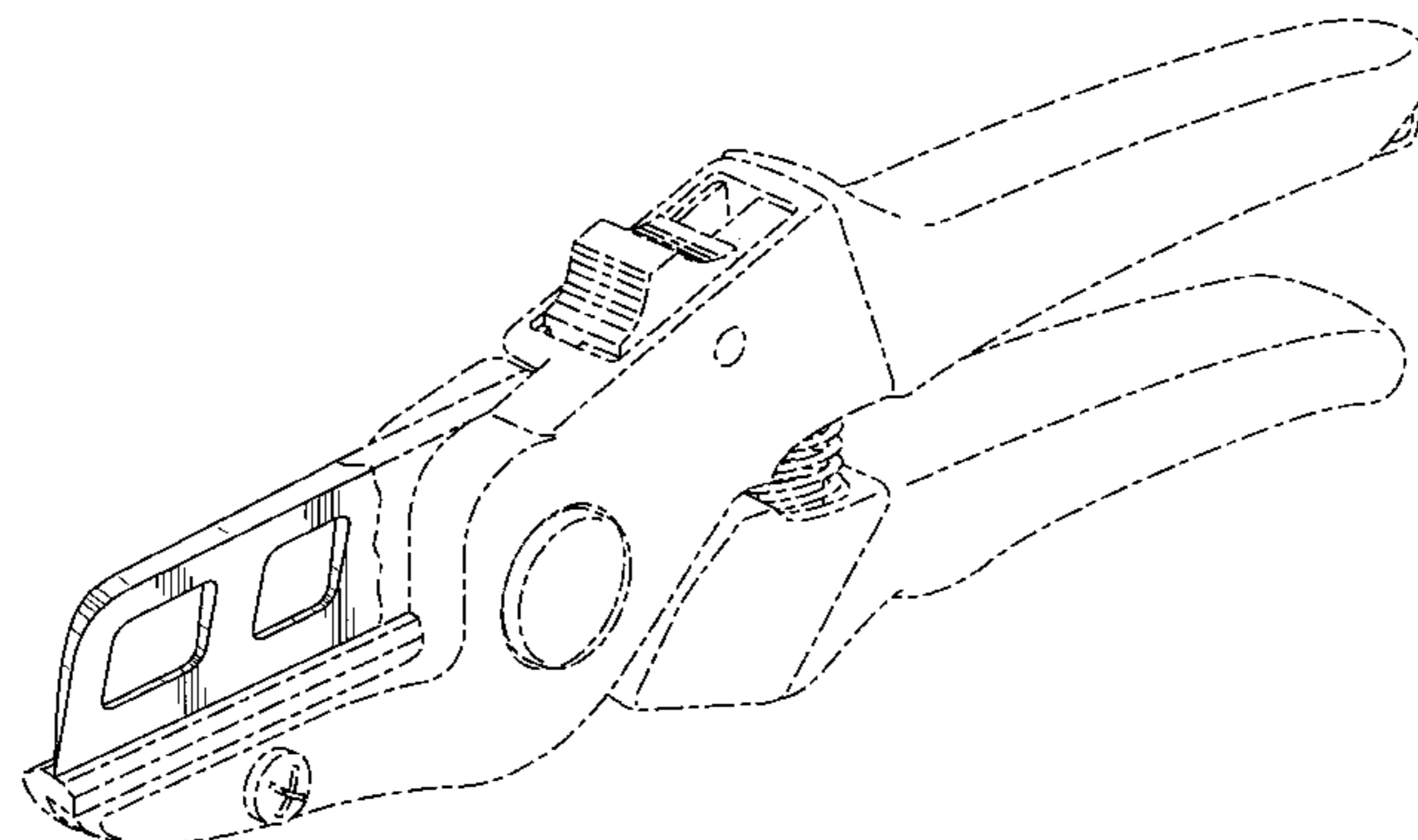
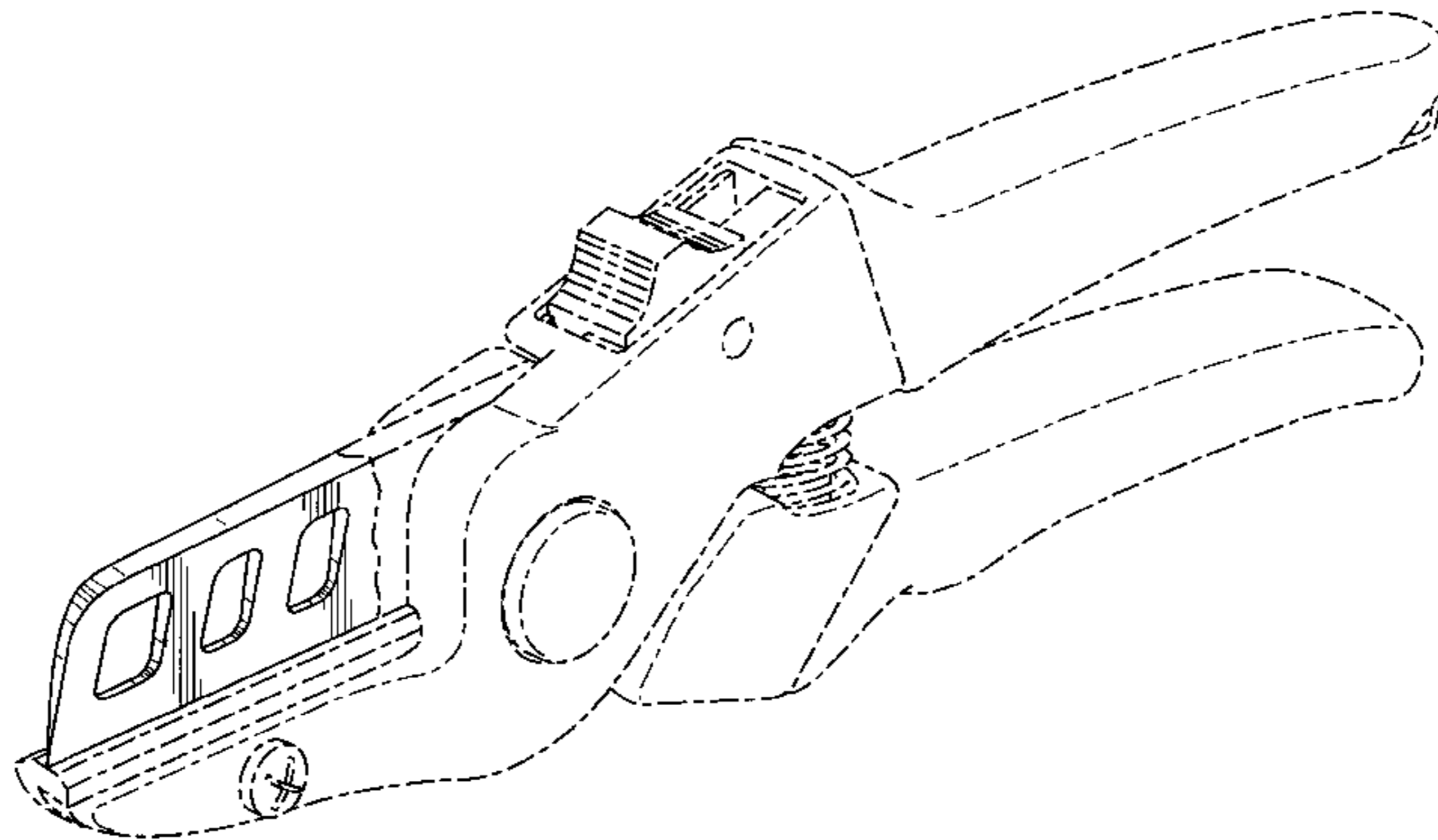
FIG. 1 is a perspective view of an anvil type hand pruner showing our new design;  
 FIG. 2 is a side view thereof;  
 FIG. 3 is a perspective view of another embodiment thereof;  
 FIG. 4 is a side view thereof.  
 FIG. 5 is a perspective view of another embodiment thereof;  
 and,  
 FIG. 6 is a side view thereof.  
 The broken line showing is for illustrative purposes only and forms no part of the claimed design.

(56) **References Cited**

**U.S. PATENT DOCUMENTS**

- 2,821,018 A \* 1/1958 Schwieso ..... 30/262
- 3,553,999 A 1/1971 Rommel
- D238,650 S 2/1976 Koblick
- 3,965,719 A 6/1976 Hays
- 4,028,756 A 6/1977 Couto
- D284,734 S 7/1986 Kurylo et al.
- 4,630,462 A 12/1986 Wiener et al.
- D304,154 S 10/1989 Osterhout
- 4,947,553 A \* 8/1990 Bendickson et al. .... 30/262

**1 Claim, 6 Drawing Sheets**



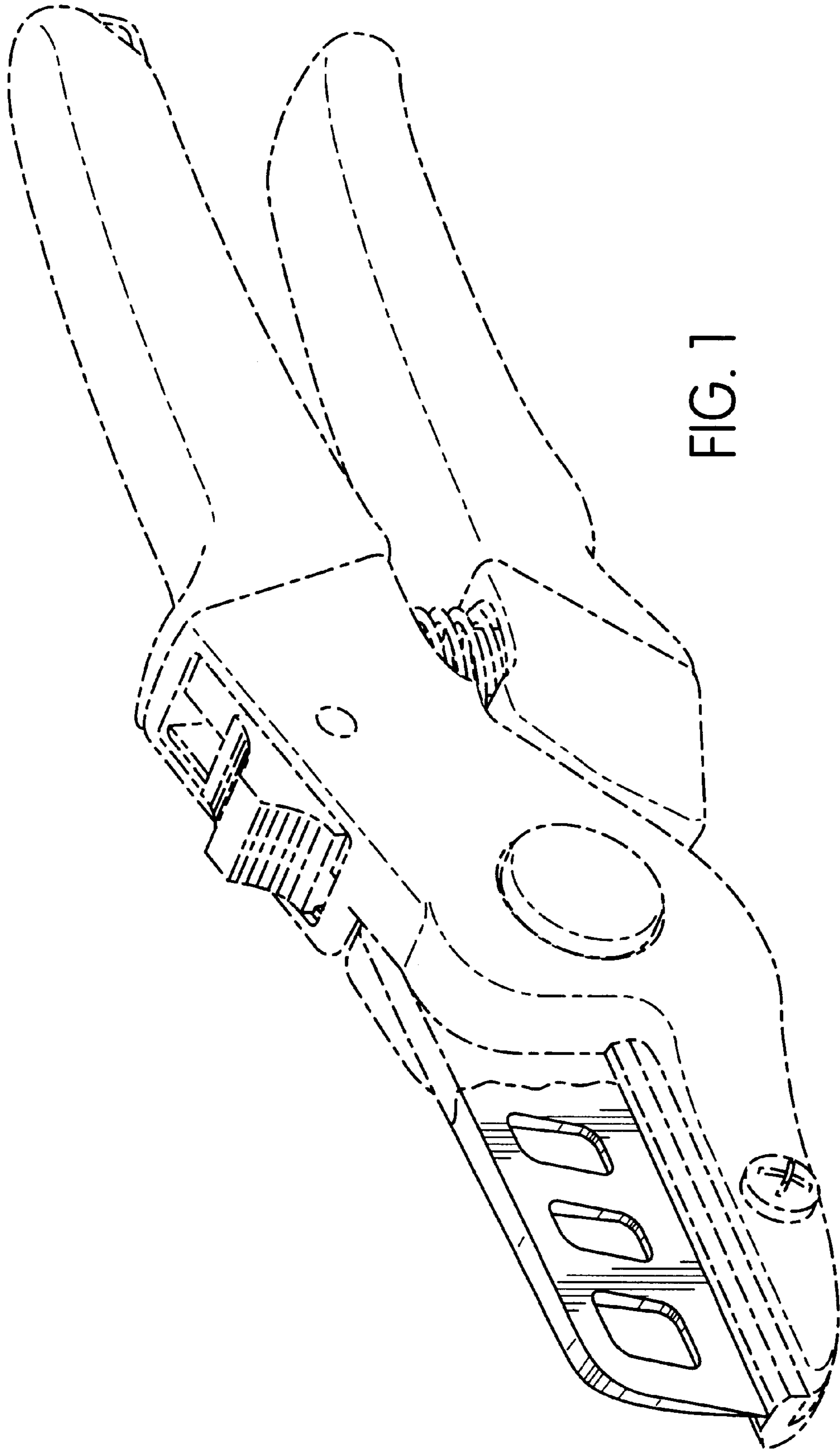


FIG. 1

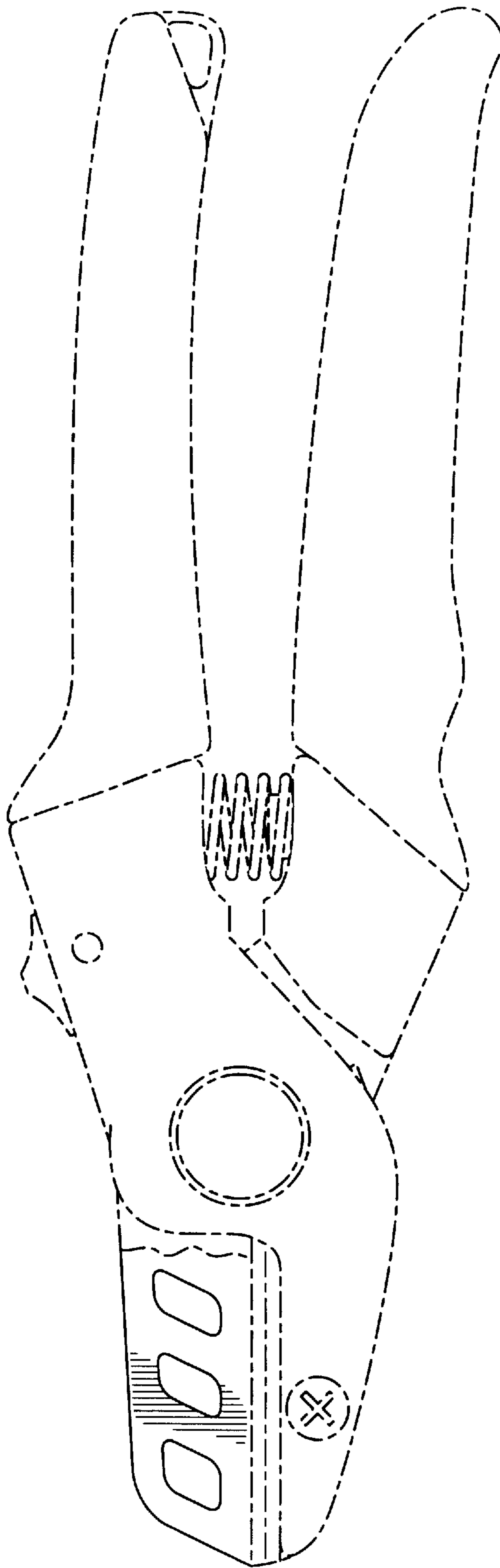


FIG. 2

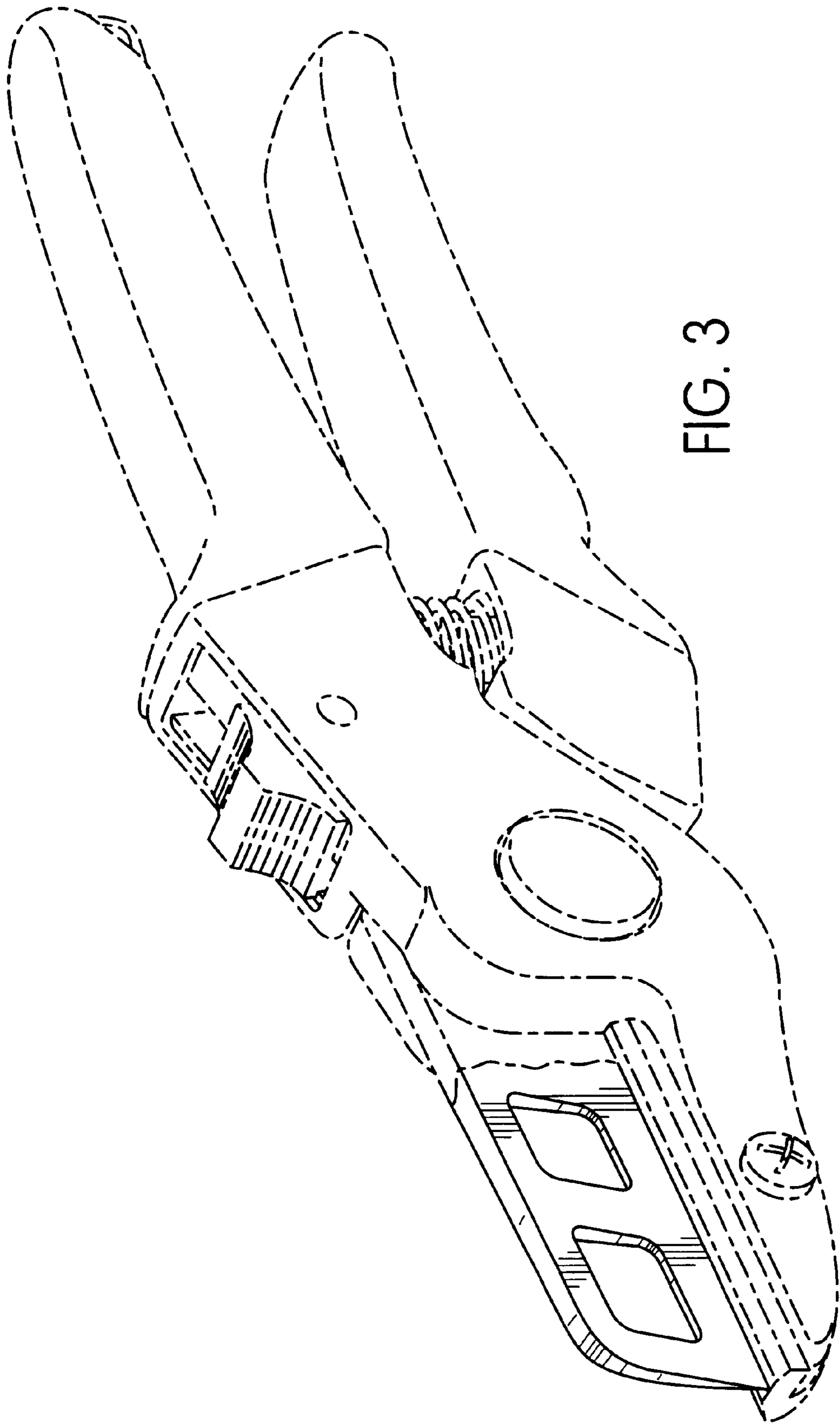


FIG. 3

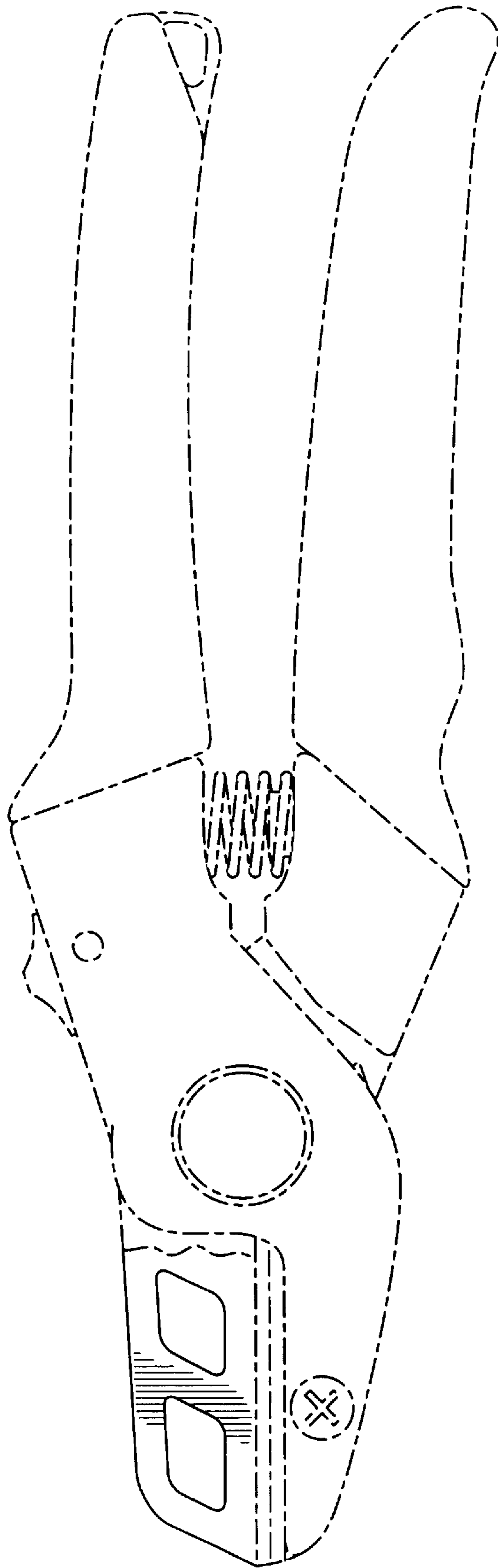


FIG. 4

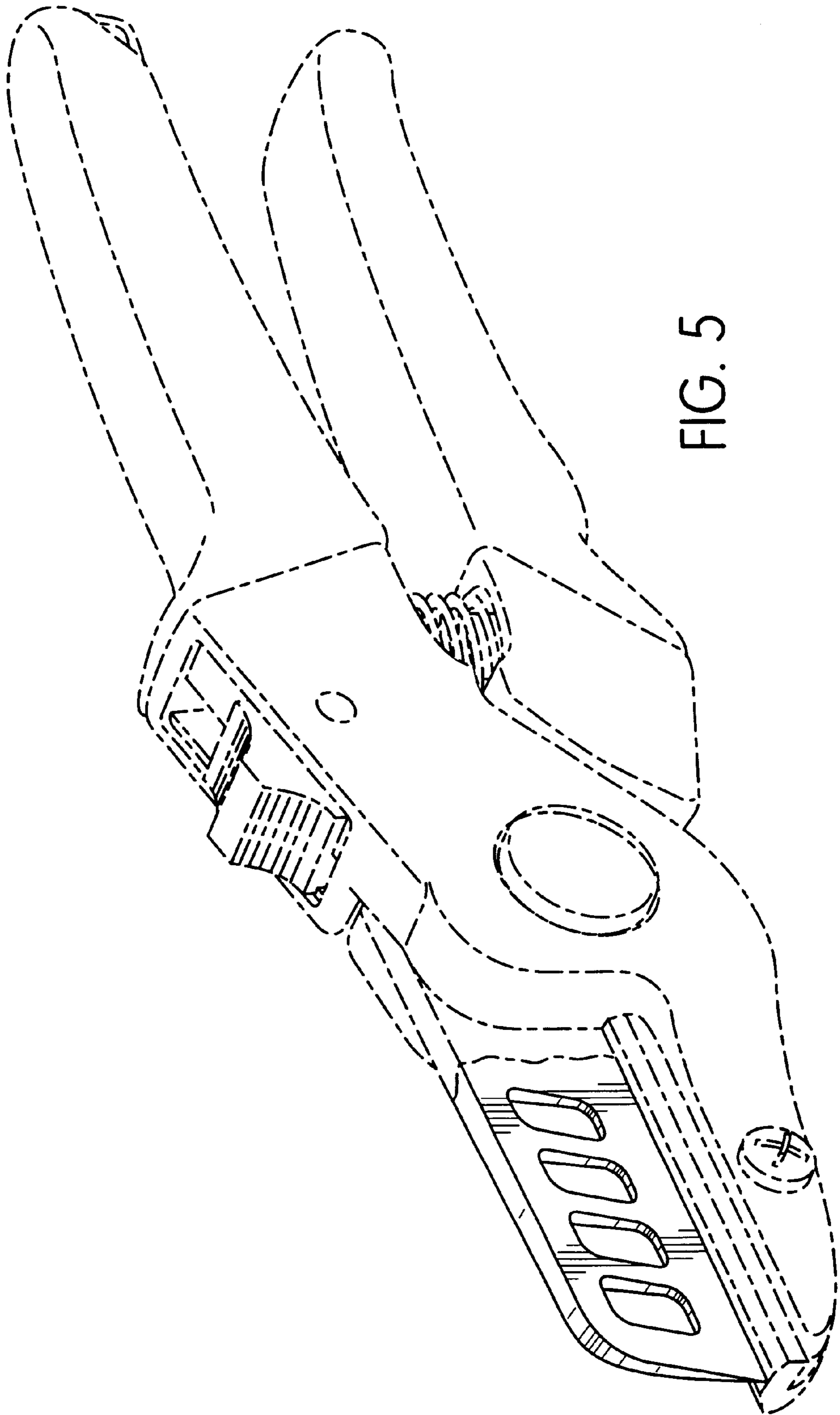


FIG. 5

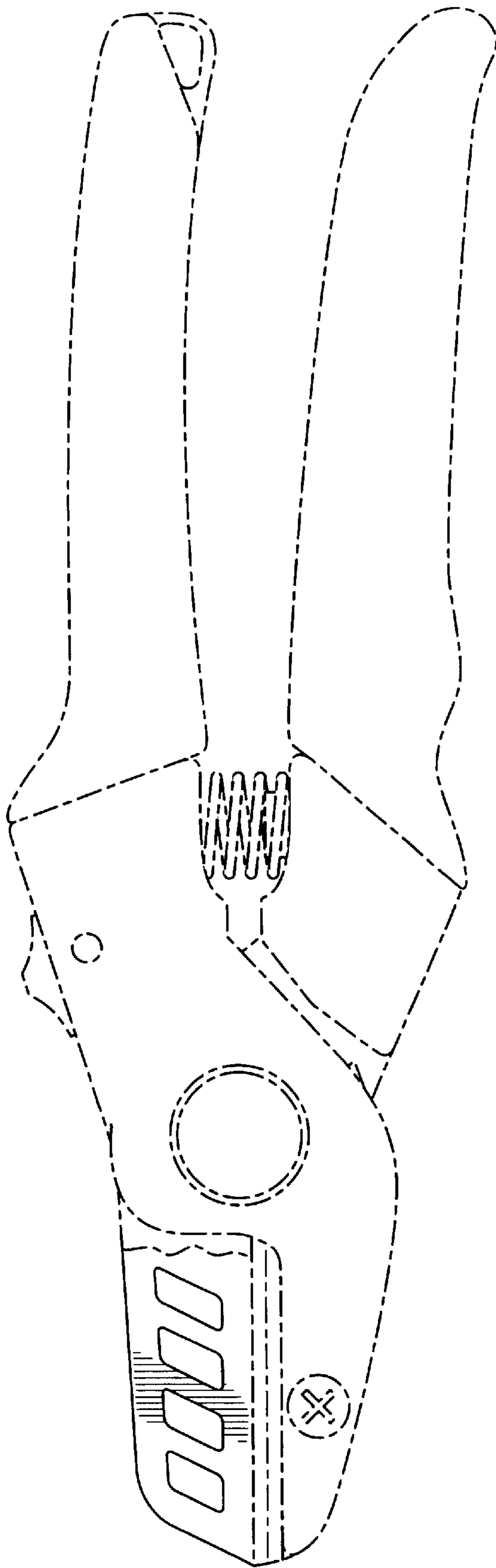


FIG. 6