



US00D464538S

(12) **United States Design Patent**  
**Topete**

(10) **Patent No.:** **US D464,538 S**

(45) **Date of Patent:** **\*\* Oct. 22, 2002**

(54) **MINIATURE ROLLER FOR CANDY**

(74) *Attorney, Agent, or Firm*—Liniak, Berenato, Longacre & White

(76) **Inventor:** **Fernando Topete**, Prol. Galeana No. 116, Santa Ana Tepetitlan, Zapopan, Jalisco (MX), 45230

(57) **CLAIM**

(\*\*) **Term:** **14 Years**

The ornamental design for a miniature roller for candy, as shown and described.

(21) **Appl. No.:** **29/149,947**

**DESCRIPTION**

(22) **Filed:** **Oct. 24, 2001**

FIG. 1 is a front elevational view of a miniature roller for candy showing my new design;

(51) **LOC (7) Cl.** ..... **07-04**

FIG. 2 is a rear elevational view of the miniature roller for candy as shown in FIG. 1;

(52) **U.S. Cl.** ..... **D7/697**

FIG. 3 is a left side view of the miniature roller for candy as shown in FIG. 1;

(58) **Field of Search** ..... D7/697; 30/307; 492/13, 14, 19; D8/14, 105; 15/27

FIG. 4 is a right side view of the miniature roller for candy as shown in FIG. 1;

(56) **References Cited**

FIG. 5 is a top view of the miniature roller for candy as shown in FIG. 1;

**U.S. PATENT DOCUMENTS**

FIG. 6 is a bottom view of the miniature roller for candy as shown in FIG. 1; and,

1,510,034 A \* 9/1924 Brader ..... 492/13

FIG. 7 is a top left perspective view of the miniature roller for candy as shown in FIG. 1.

3,540,104 A \* 11/1970 Duffy ..... 492/13

\* cited by examiner

*Primary Examiner*—Terry A. Wallace

**1 Claim, 2 Drawing Sheets**

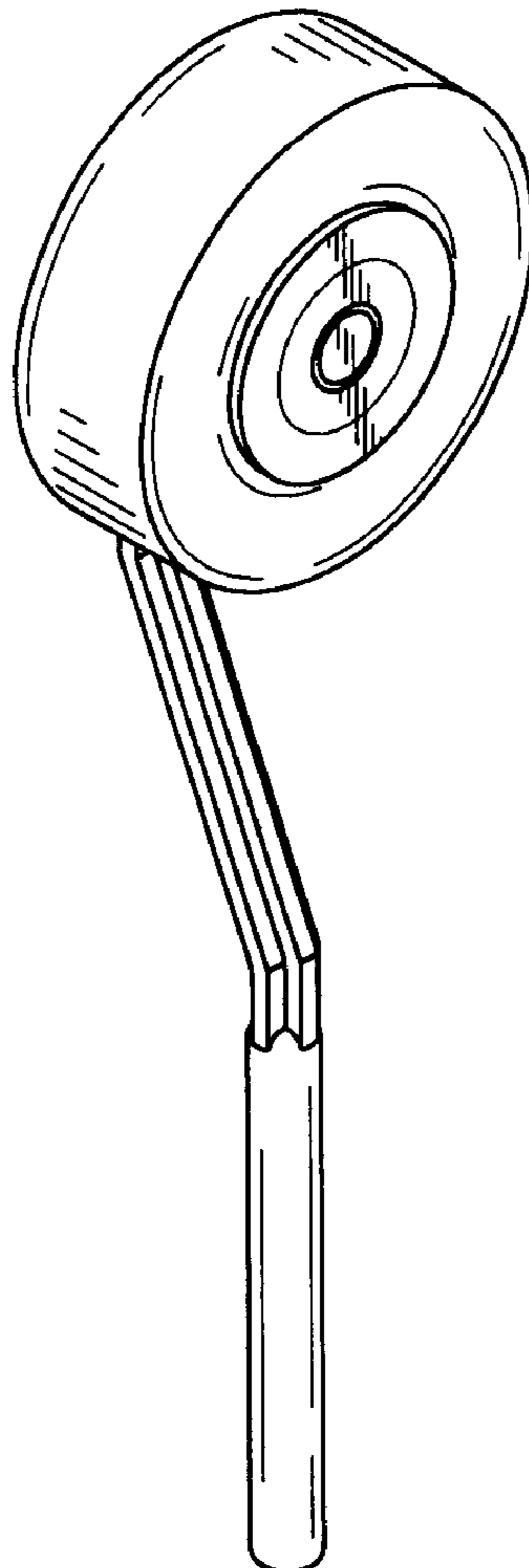


Fig. 1

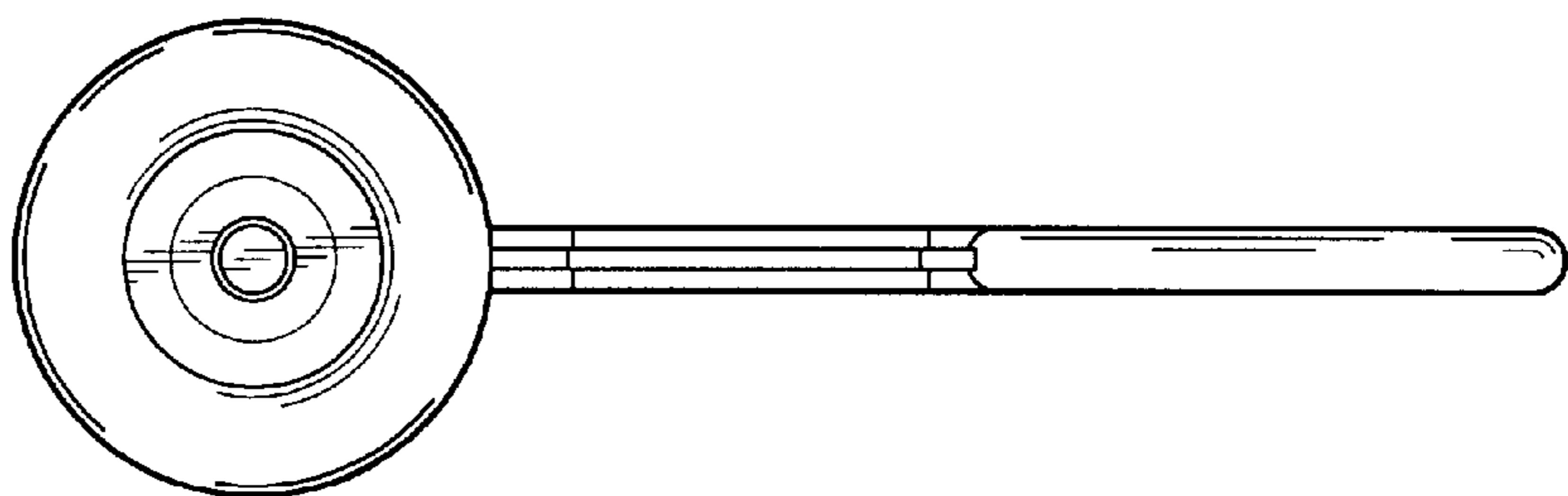


Fig. 2

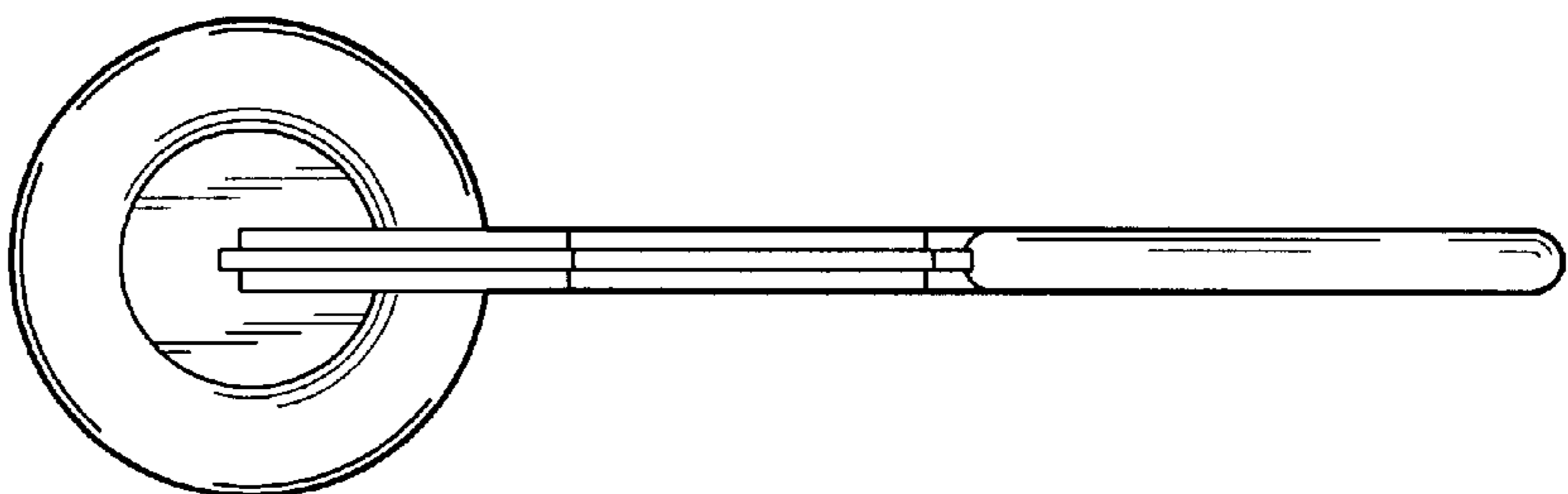


Fig. 3

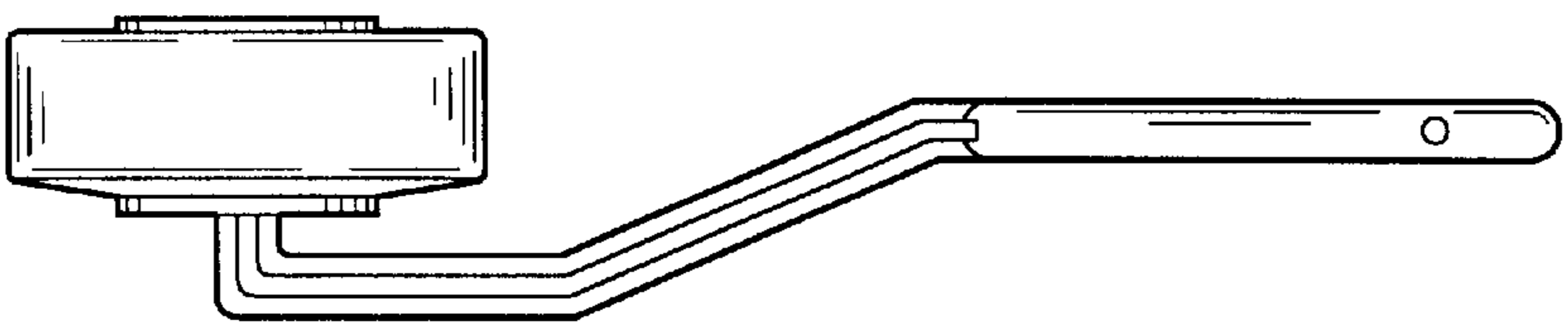


Fig. 4

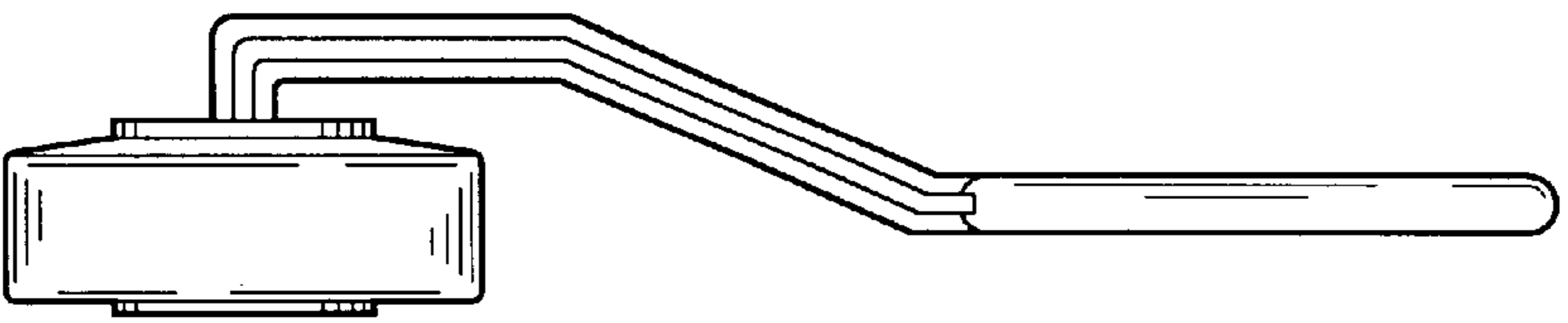


Fig. 5

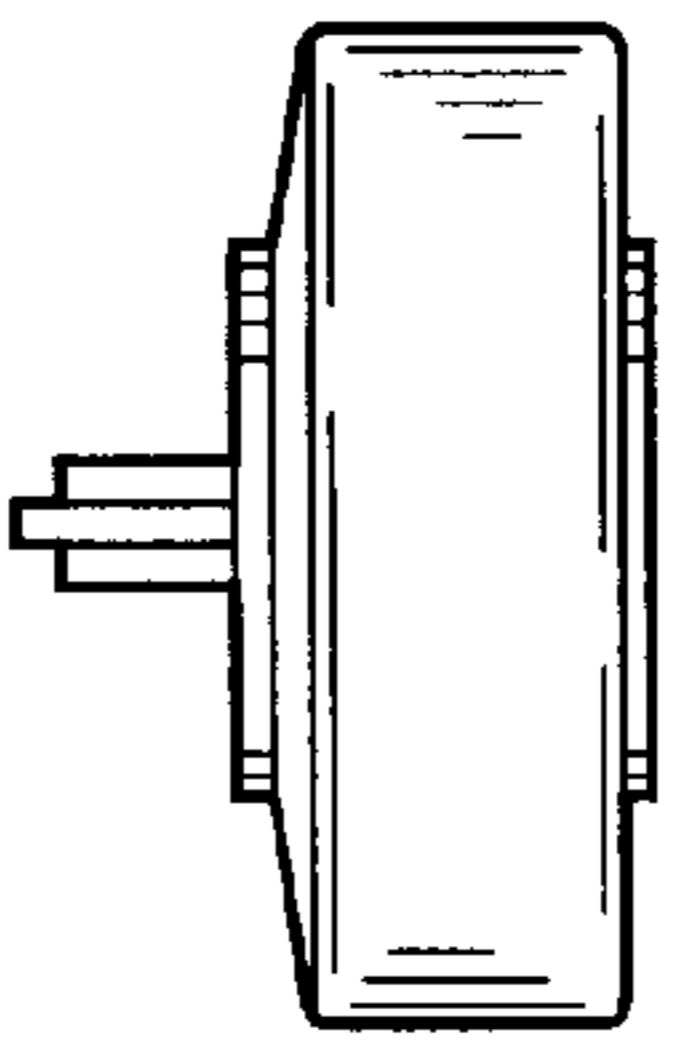


Fig. 6

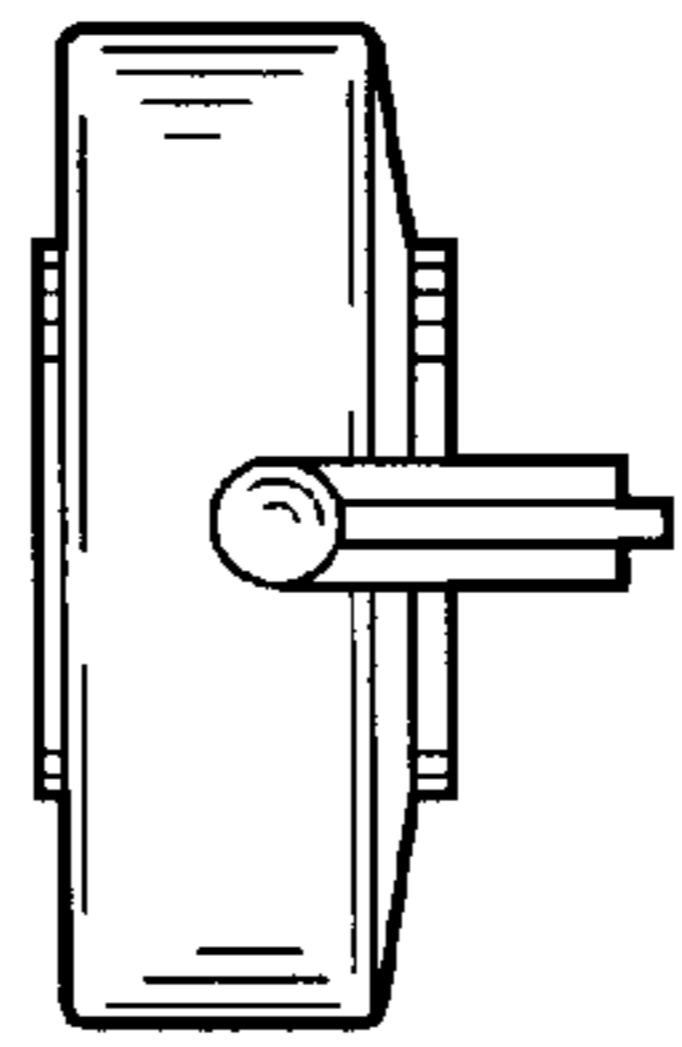


Fig. 7

