



US00D464537S

(12) **United States Design Patent**  
**Healy**

(10) **Patent No.:** **US D464,537 S**

(45) **Date of Patent:** **\*\* Oct. 22, 2002**

(54) **CORING MACHINE**

(76) **Inventor:** **Daniel P. Healy**, 119 S. Bayly Ave.,  
Louisville, KY (US) 40206

(\*\*) **Term:** **14 Years**

4,741,265 A	5/1988	Cushman
4,834,795 A	5/1989	Raub et al.
5,067,397 A	11/1991	Healy
5,142,972 A	9/1992	Sundquist
5,454,301 A	10/1995	Rainey et al.
5,463,943 A	11/1995	Knasel
6,148,719 A	11/2000	Poltielov

(21) **Appl. No.:** **29/154,450**

(22) **Filed:** **Oct. 26, 2001**

(51) **LOC (7) Cl.** ..... **07-04**

(52) **U.S. Cl.** ..... **D7/693**

(58) **Field of Search** ..... D7/693; 30/301,  
30/302; 83/588, 613, 621, 932; 99/542-545,  
547, 552, 559, 584, 588, 590, 594

**FOREIGN PATENT DOCUMENTS**

EP	509487	10/1937
EP	764717	1/1957
EP	1569019	6/1980

*Primary Examiner*—Terry A. Wallace

(74) *Attorney, Agent, or Firm*—John F. Salazar; Middleton  
Reutlinger

(56) **References Cited**

**U.S. PATENT DOCUMENTS**

1,631,854 A	6/1927	Carroll
3,128,810 A	4/1964	Whipp
3,151,644 A	10/1964	Bainbridge et al.
3,780,641 A	12/1973	Hole
3,806,620 A	4/1974	Vadas
4,108,059 A	8/1978	Loveland
4,373,432 A	2/1983	Tsutsumi
4,441,413 A	4/1984	Mori
4,497,245 A	2/1985	Mori
4,546,545 A	10/1985	Hirano
4,606,263 A	8/1986	Ross et al.
4,653,393 A	3/1987	Ross
4,690,047 A	9/1987	Balzano
4,718,333 A	1/1988	Pierce et al.

(57) **CLAIM**

The ornamental design for a coring machine, as shown and described herein.

**DESCRIPTION**

FIG. 1 is a front perspective view of a coring machine showing my design.

FIG. 2 is a front view of the coring machine of FIG. 1.

FIG. 3 is a back view of the coring machine of FIG. 1.

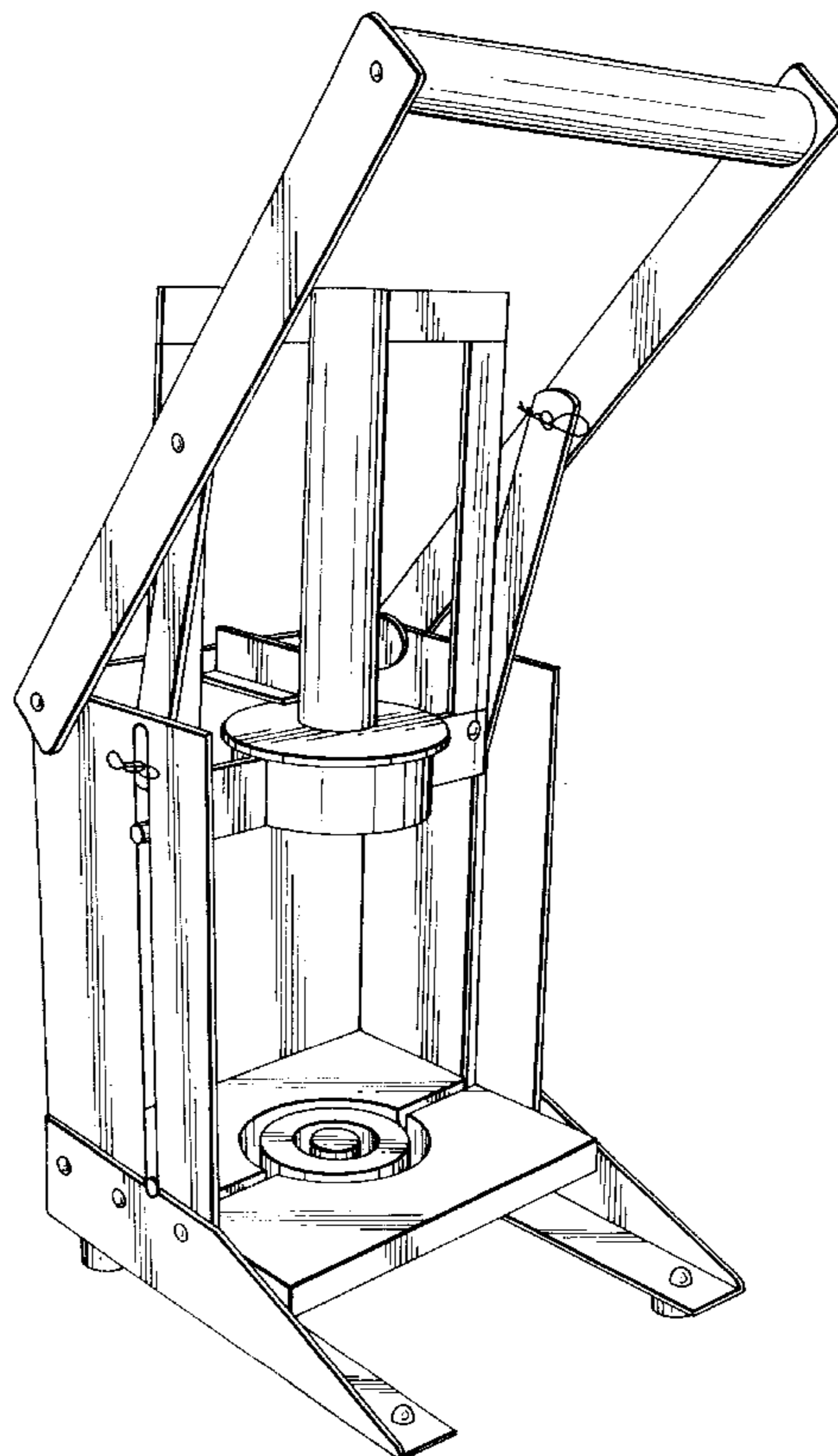
FIG. 4 is a side view of the coring machine of FIG. 1.

FIG. 5 is a side view of the coring machine of FIG. 1.

FIG. 6 is a top view of the coring machine of FIG. 1; and,

FIG. 7 is a bottom view of the coring machine of FIG. 1.

**1 Claim, 6 Drawing Sheets**



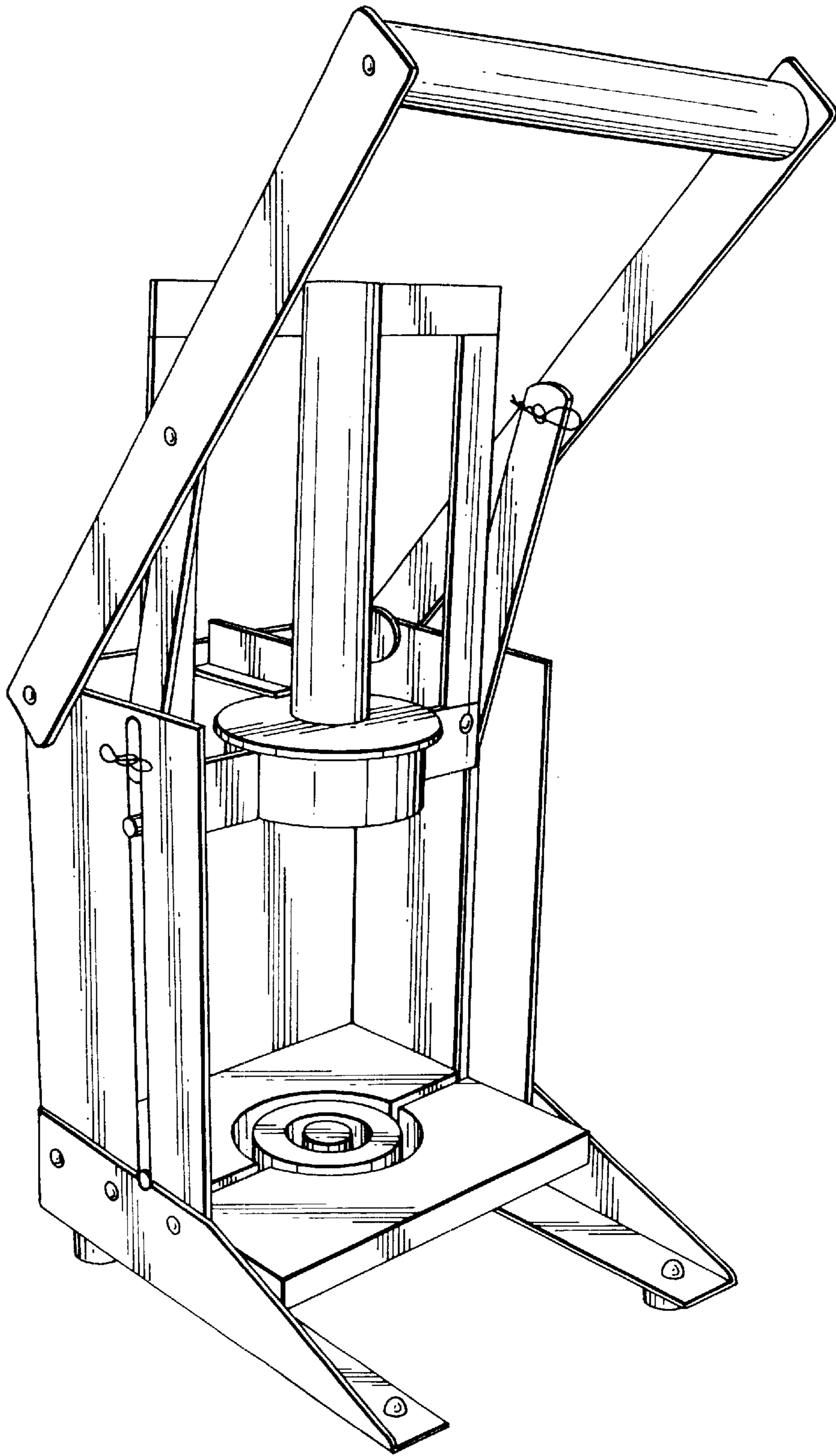


FIG. 1

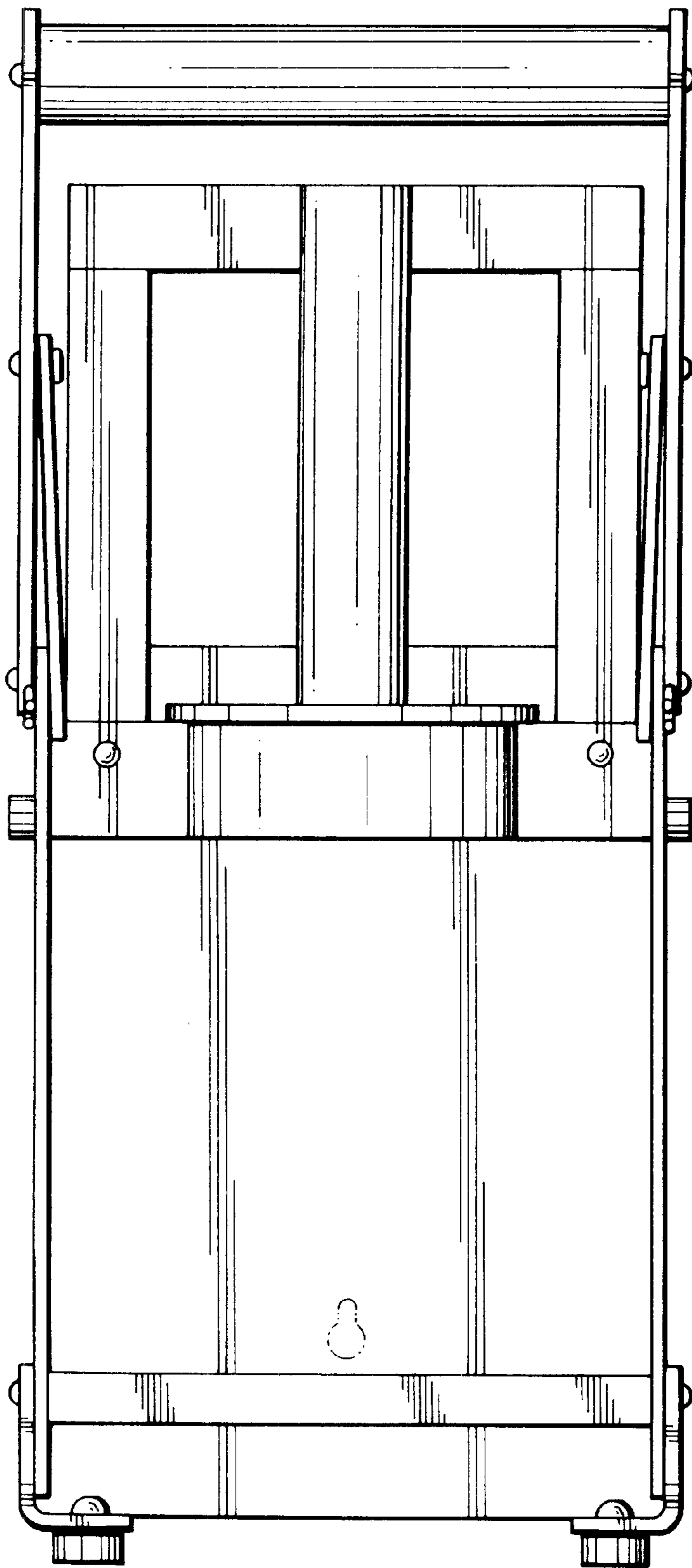


FIG. 2

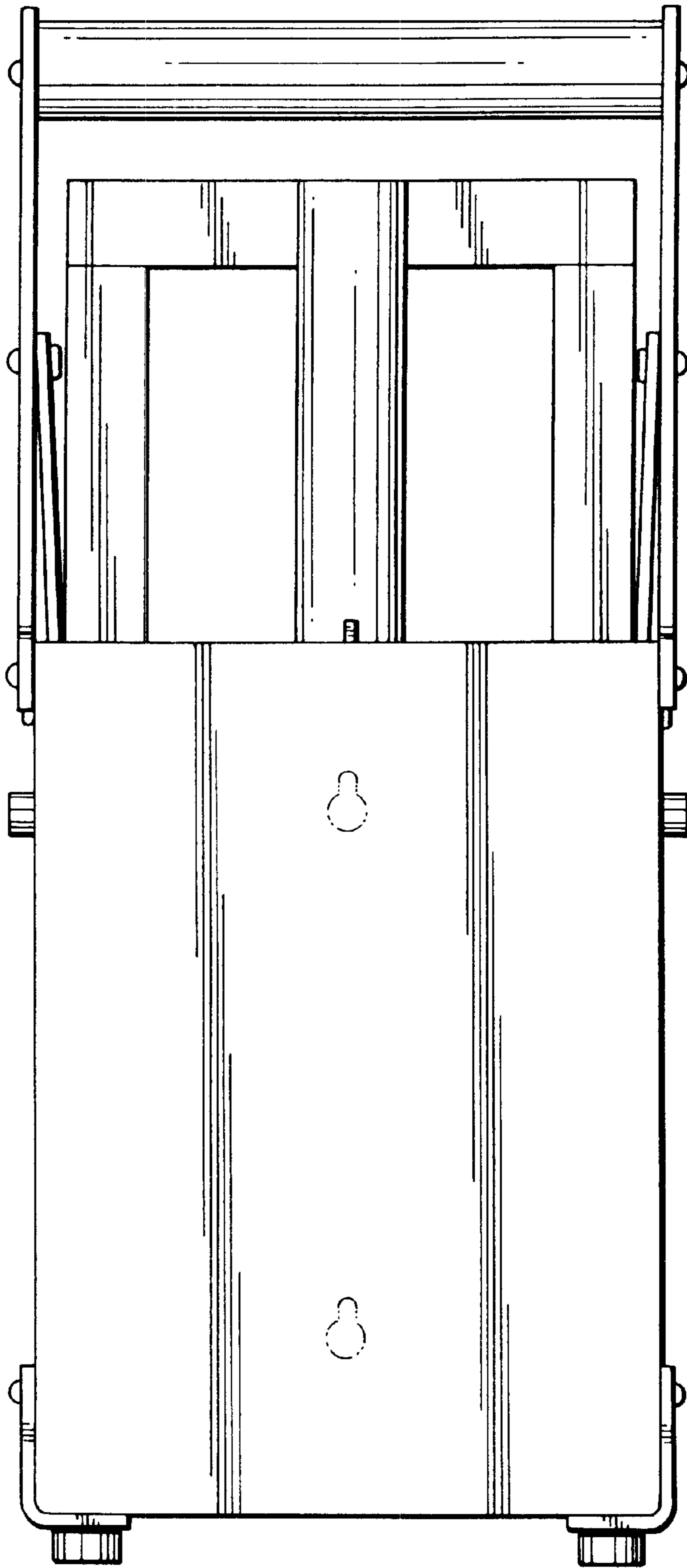


FIG. 3

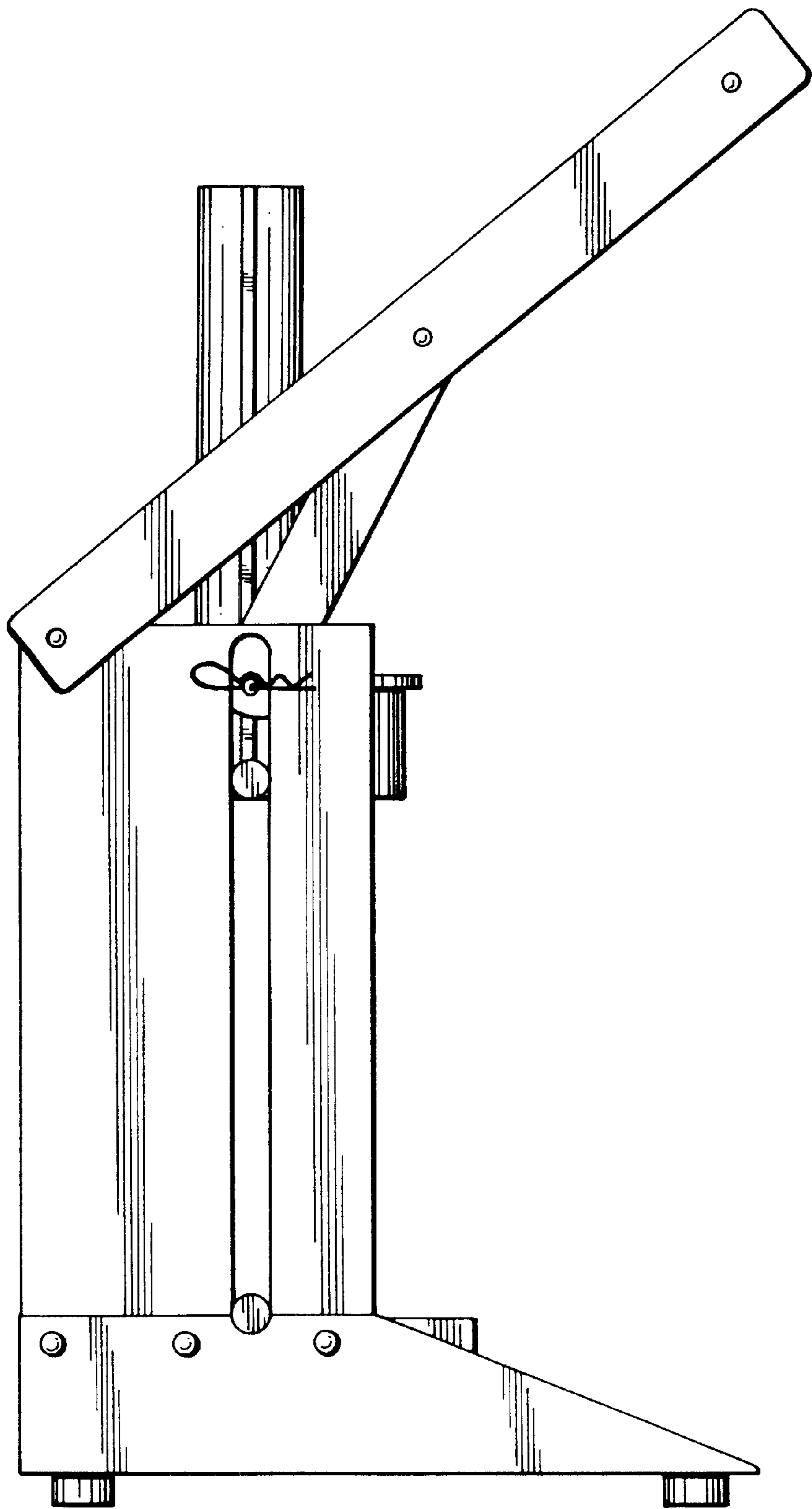


FIG. 4

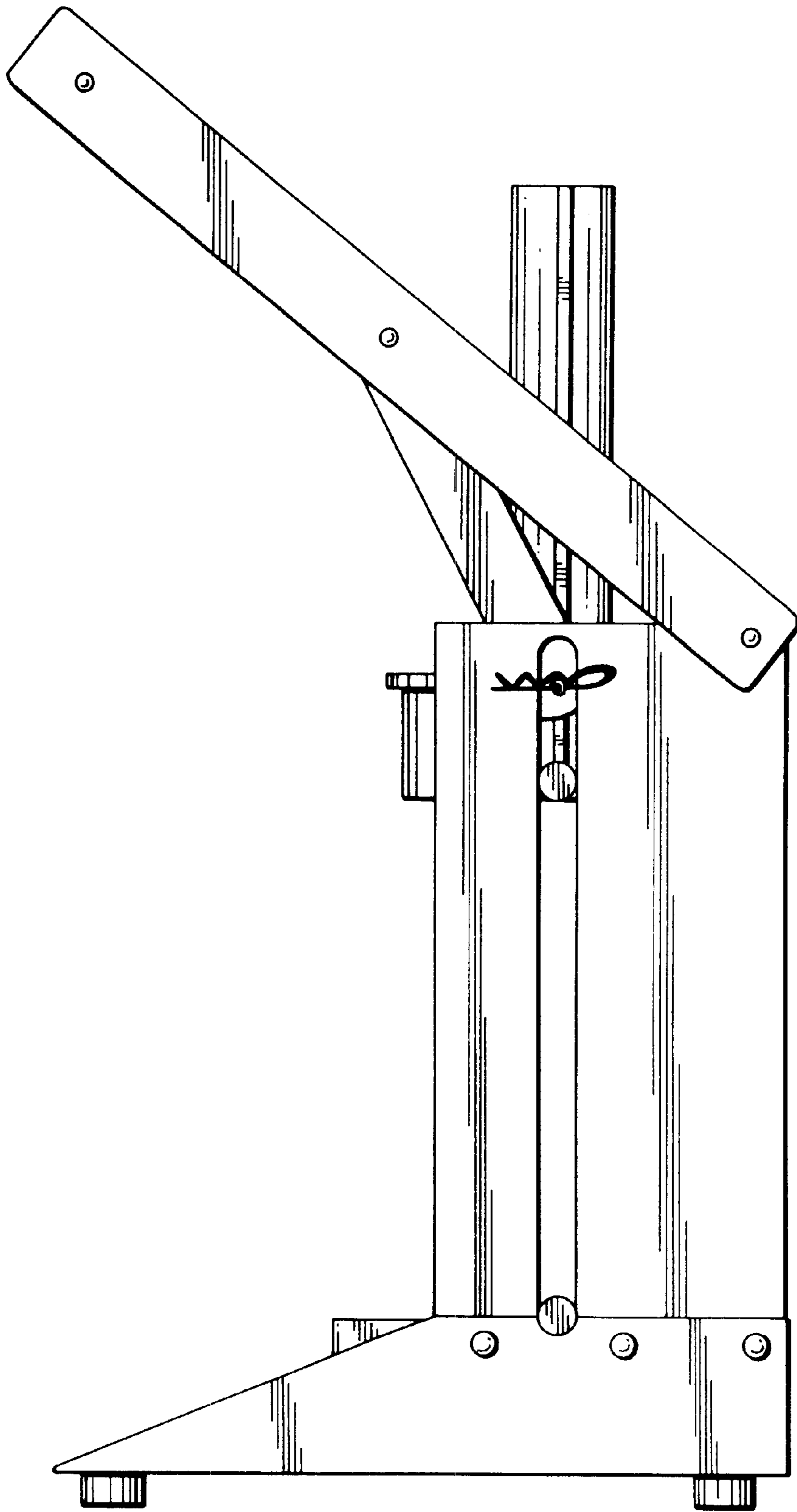


FIG. 5

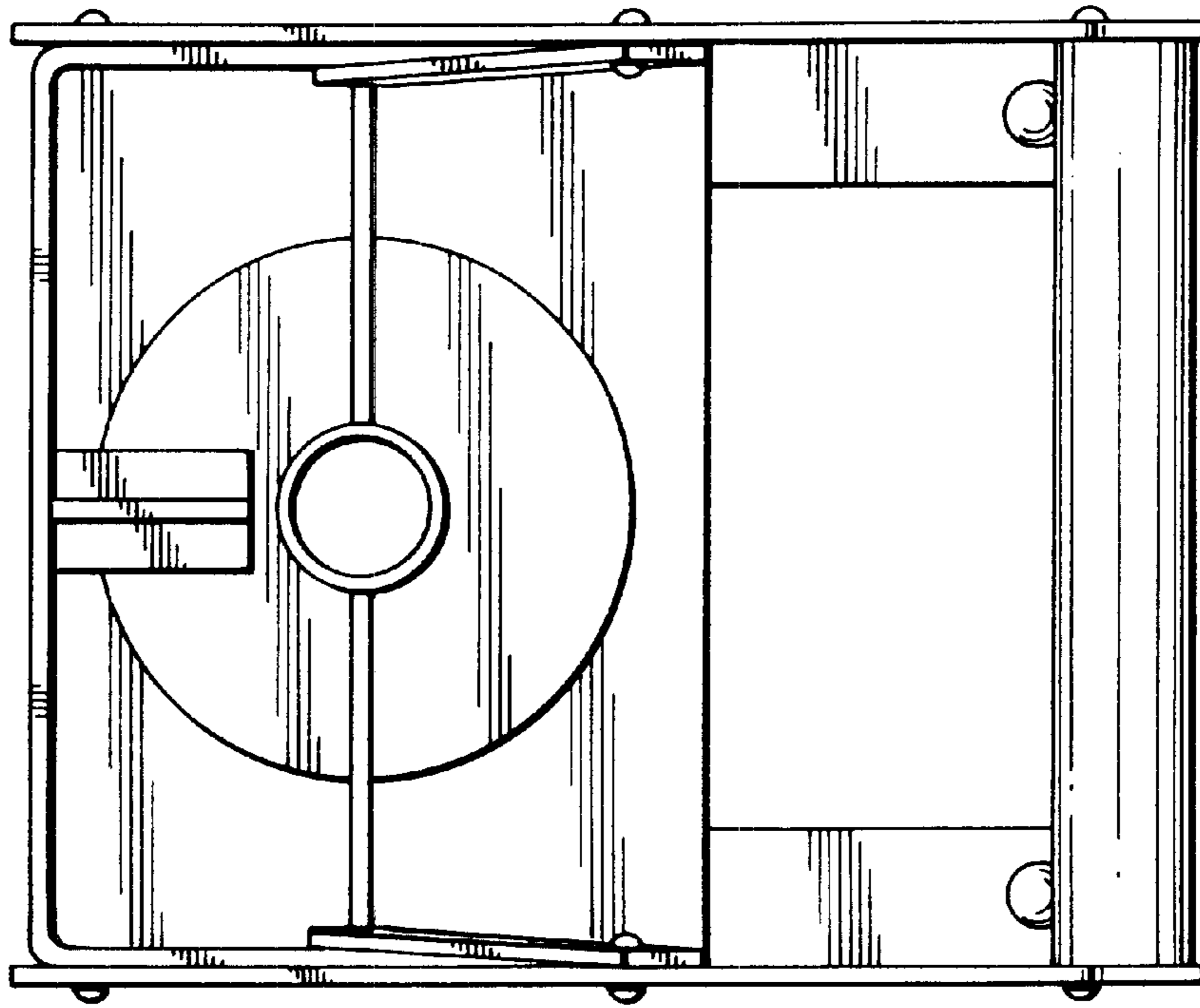


FIG. 6

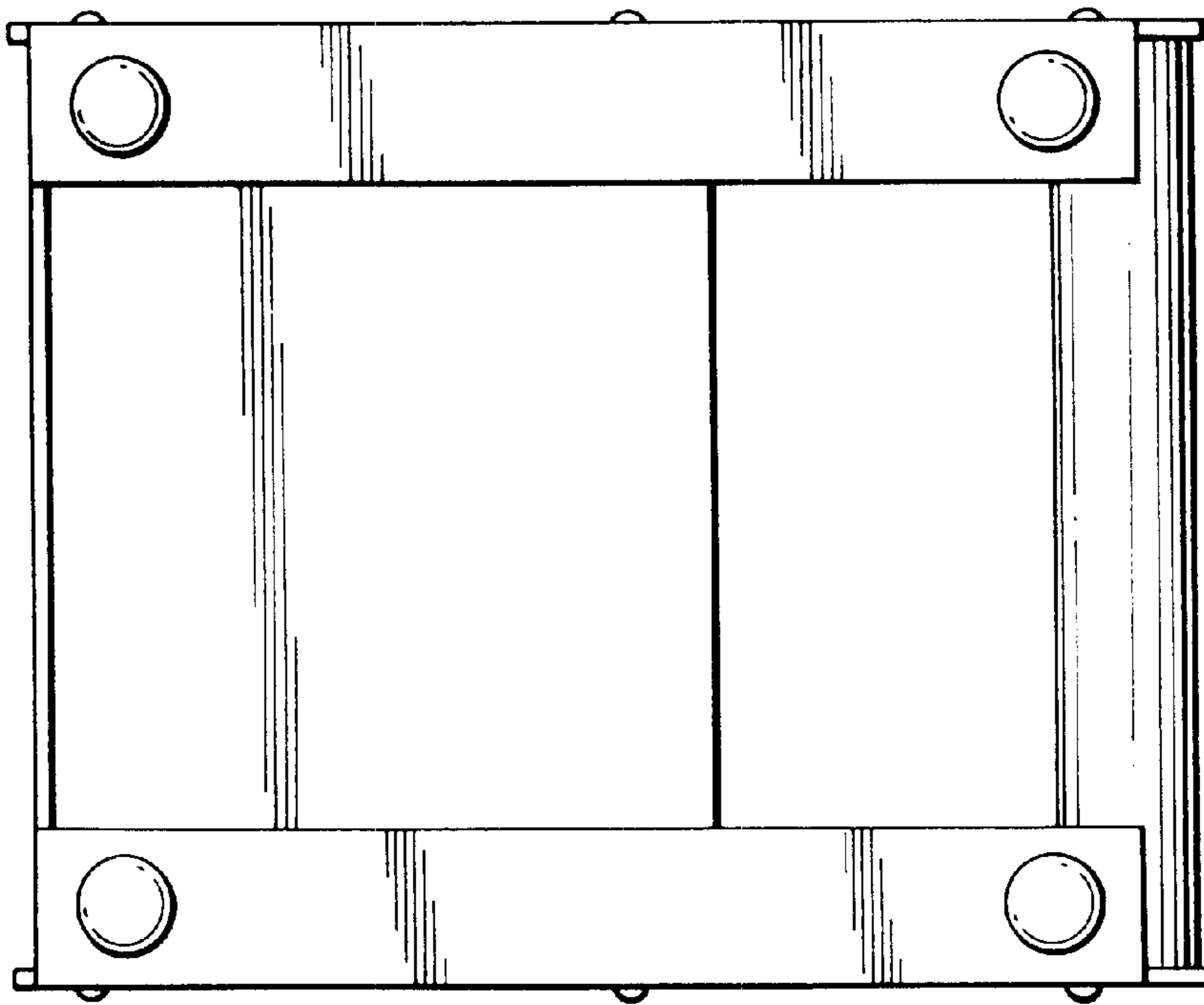


FIG. 7