



US00D464534S

(12) **United States Design Patent**
McCully et al.

(10) **Patent No.:** **US D464,534 S**

(45) **Date of Patent:** **** Oct. 22, 2002**

(54) **PORTABLE COOLER**

(76) Inventors: **Clarence B McCully**, P.O. Box 330,
Bamberg, SC (US) 29003; **David R**
Dobbins, 105 E. Pine Grove Ave.,
North Augusta, GA (US) 29841

(**) Term: **14 Years**

(21) Appl. No.: **29/151,227**

(22) Filed: **Nov. 26, 2001**

(51) **LOC (7) Cl.** **07-01**

(52) **U.S. Cl.** **D7/605**

(58) **Field of Search** D7/605-608; D34/19;
62/457.1, 457.2, 457.7, 371, 372; 280/47.17,
43.1, 47.26, 47.37, 47.34, 47.131, 651,
652, 645, 655

(56) **References Cited**

U.S. PATENT DOCUMENTS

4,873,841	A	*	10/1989	Bradshaw et al.	62/457.7	X
D322,198	S	*	12/1991	Dringenburg	D7/605	
5,373,708	A	*	12/1994	Dumoulin, Jr.	62/457.7	
D369,695	S	*	5/1996	Imotani	D7/605	
5,683,097	A	*	11/1997	Fenton et al.	280/47.26	
D415,658	S	*	10/1999	Frehse	D7/605	

* cited by examiner

Primary Examiner—Terry A. Wallace

(74) *Attorney, Agent, or Firm*—Nexsen Pruet Jacobs &
Pollard LLC; Timothy J Slabouz; Michael A Mann

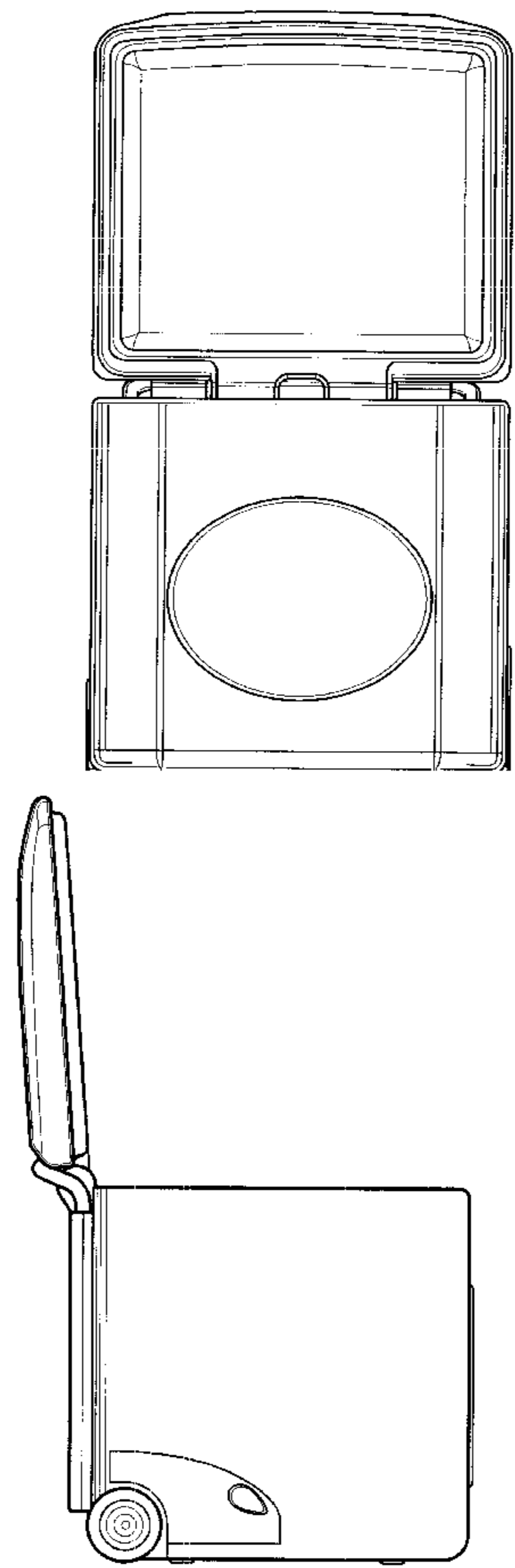
(57) **CLAIM**

I claim the ornamental design for a portable cooler, as shown
and described.

DESCRIPTION

FIG. 1 is a front elevational view of the portable cooler
showing my new design, shown with the lid open;
FIG. 2 is a rear elevational view thereof;
FIG. 3 is a right side elevational view thereof;
FIG. 4 is a left side elevational view thereof;
FIG. 5 is a top plan view thereof;
FIG. 6 is a bottom plan view thereof;
FIG. 7 is a front elevational view of the portable cooler
showing my new design, shown with the lid closed;
FIG. 8 is a rear elevational view thereof;
FIG. 9 is a right side elevational view thereof;
FIG. 10 is a left side elevational view thereof;
FIG. 11 is a top plan view thereof; and,
FIG. 12 is a bottom plan view thereof.

1 Claim, 6 Drawing Sheets



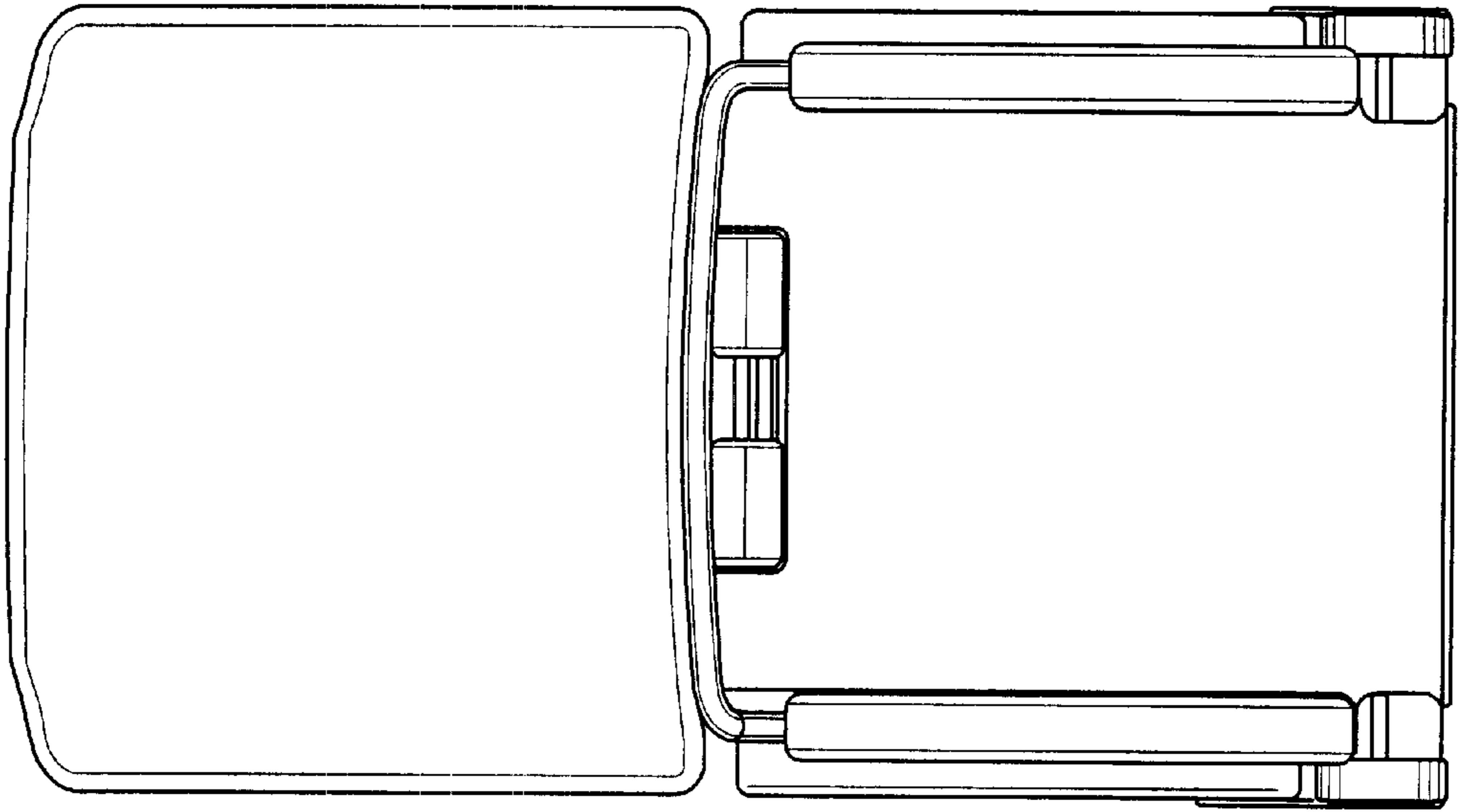


FIG. 2

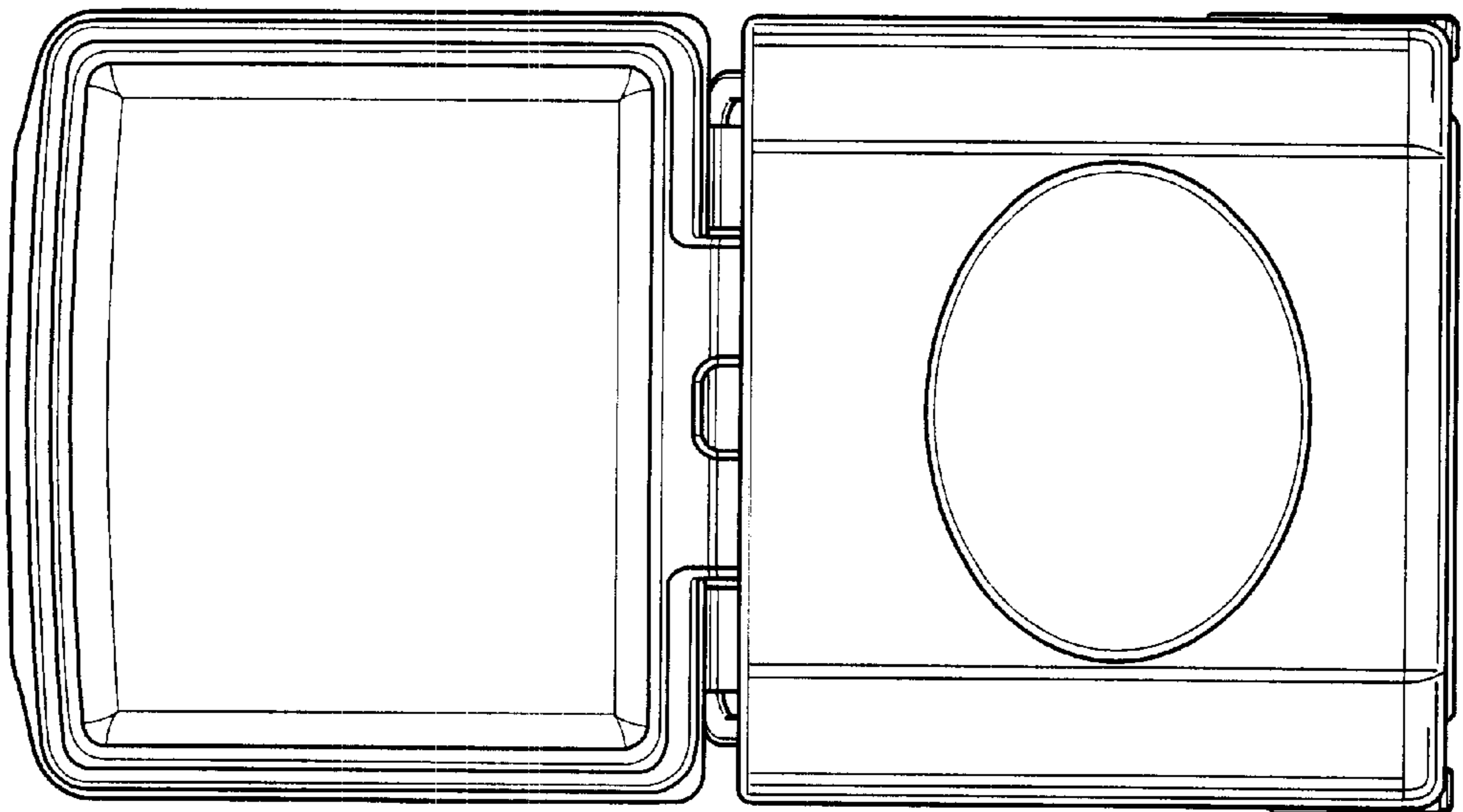


FIG. 1

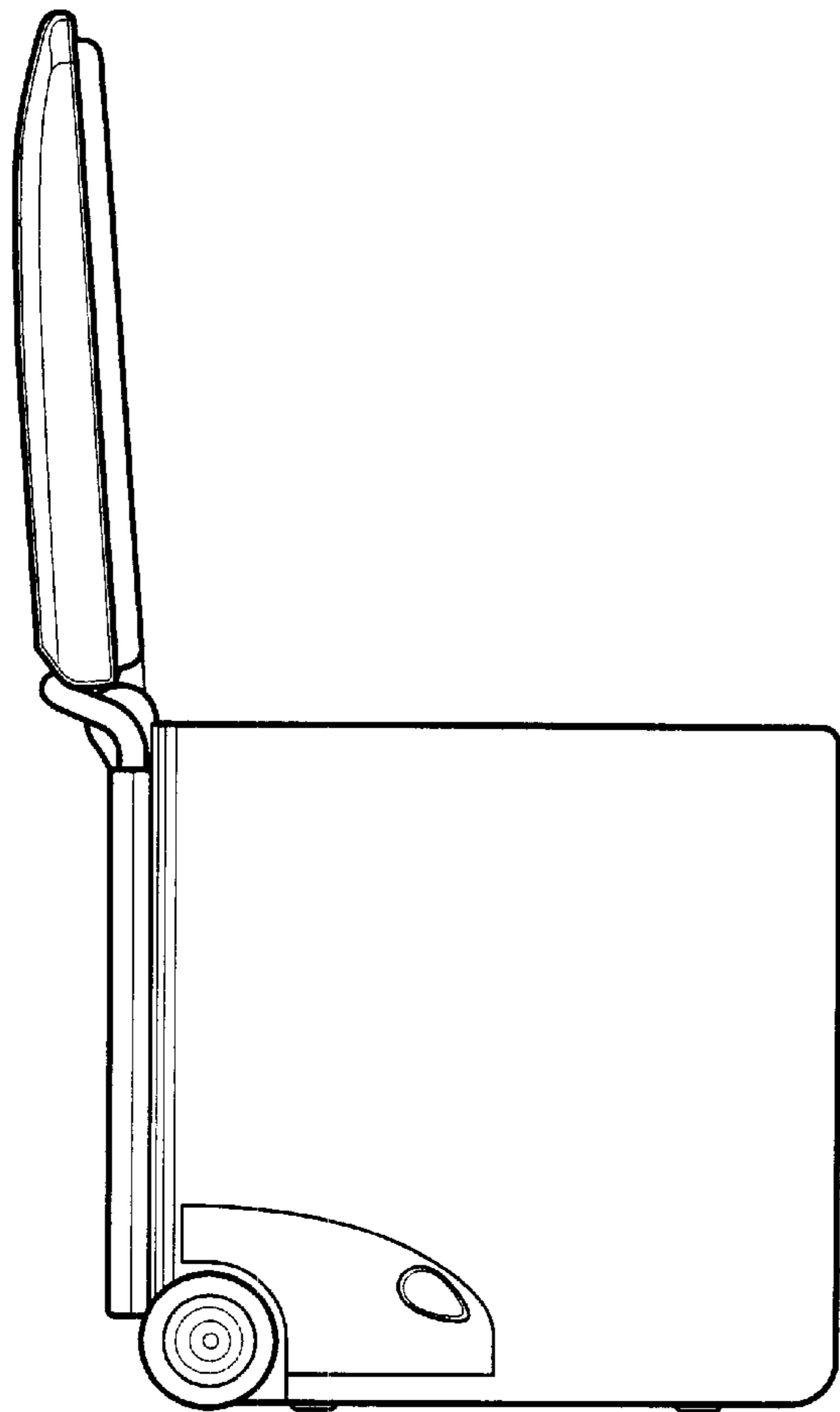


FIG. 3

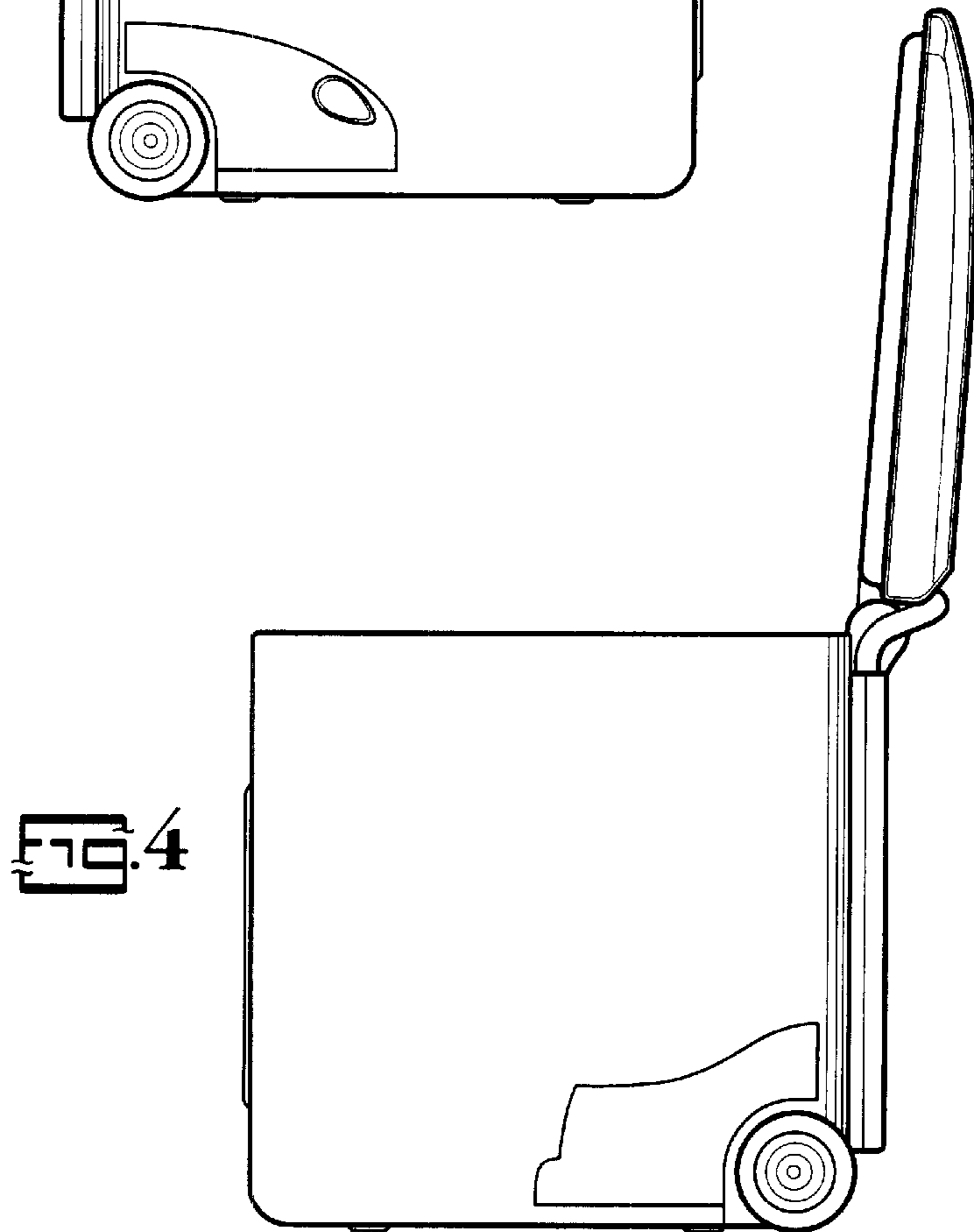


FIG. 4

FIG. 5

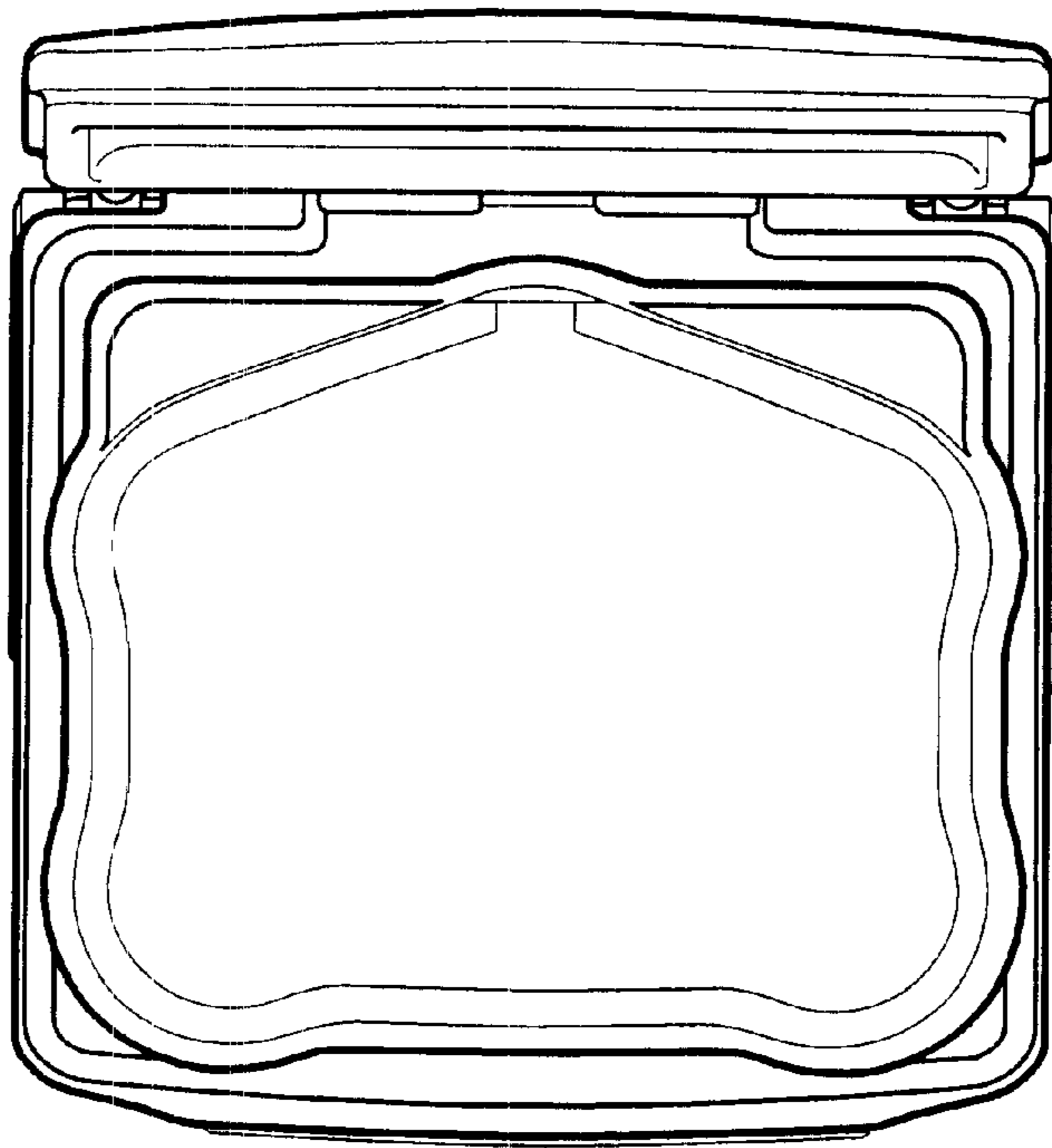


FIG. 6

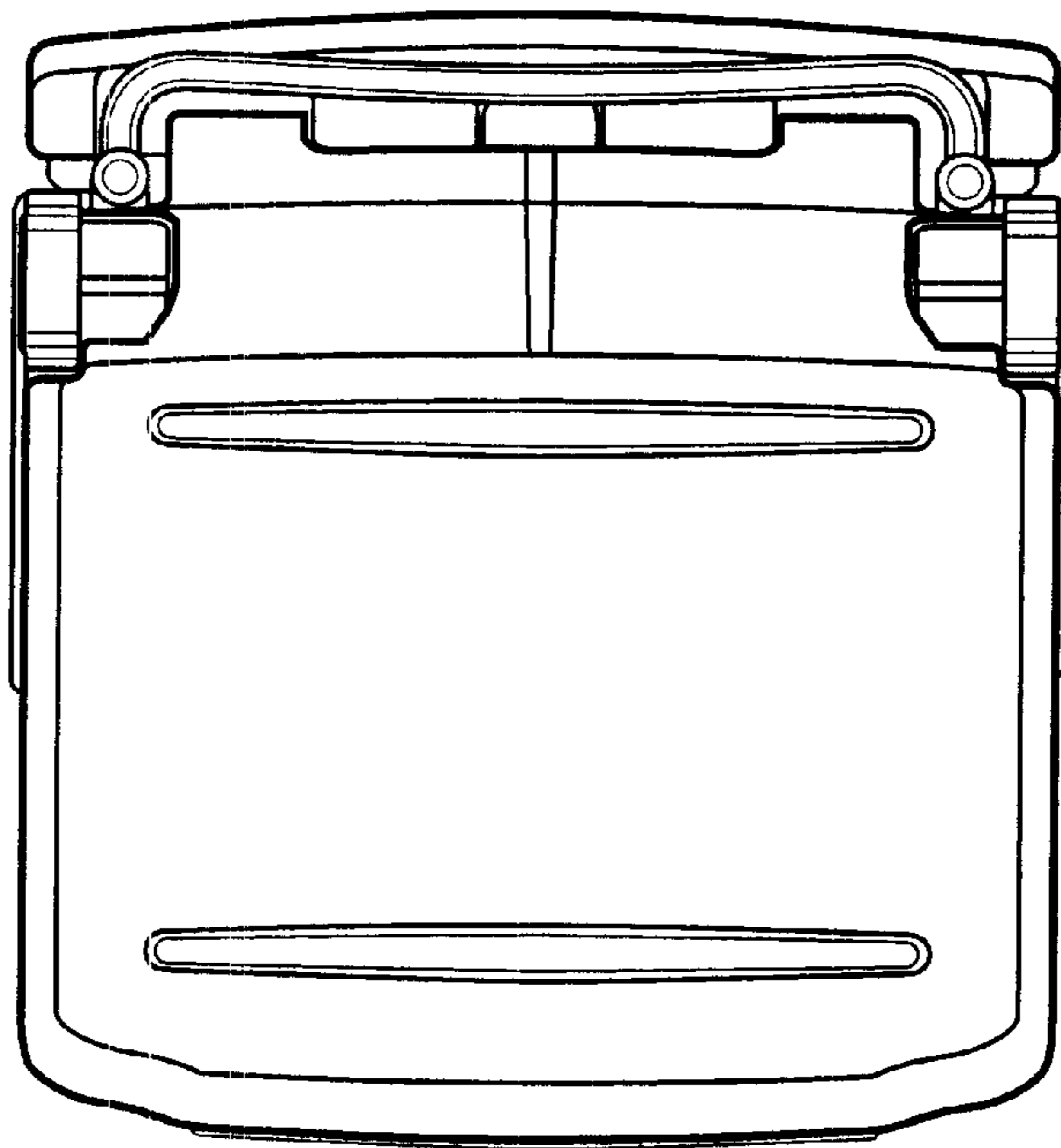


Fig. 7

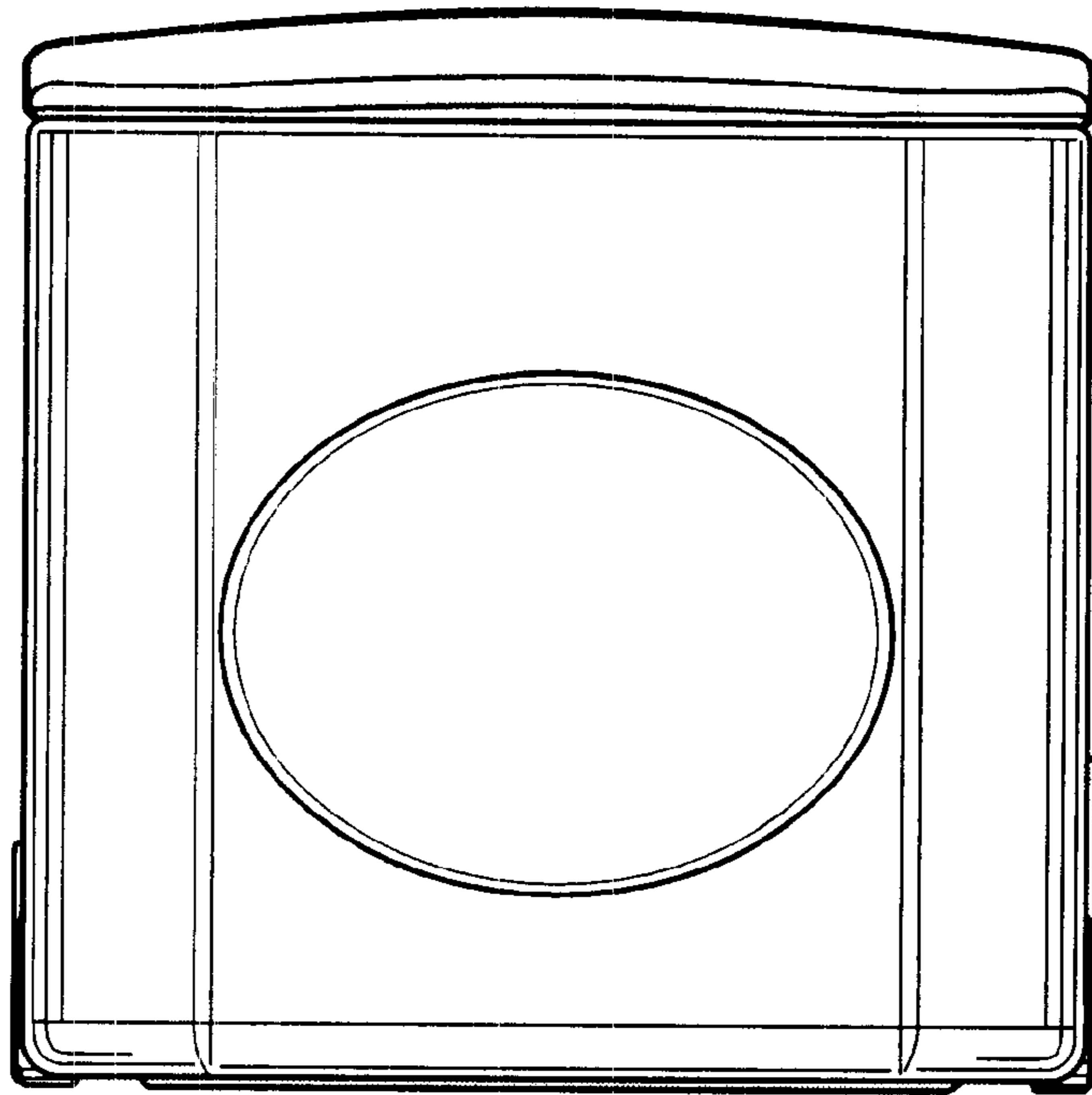


Fig. 8

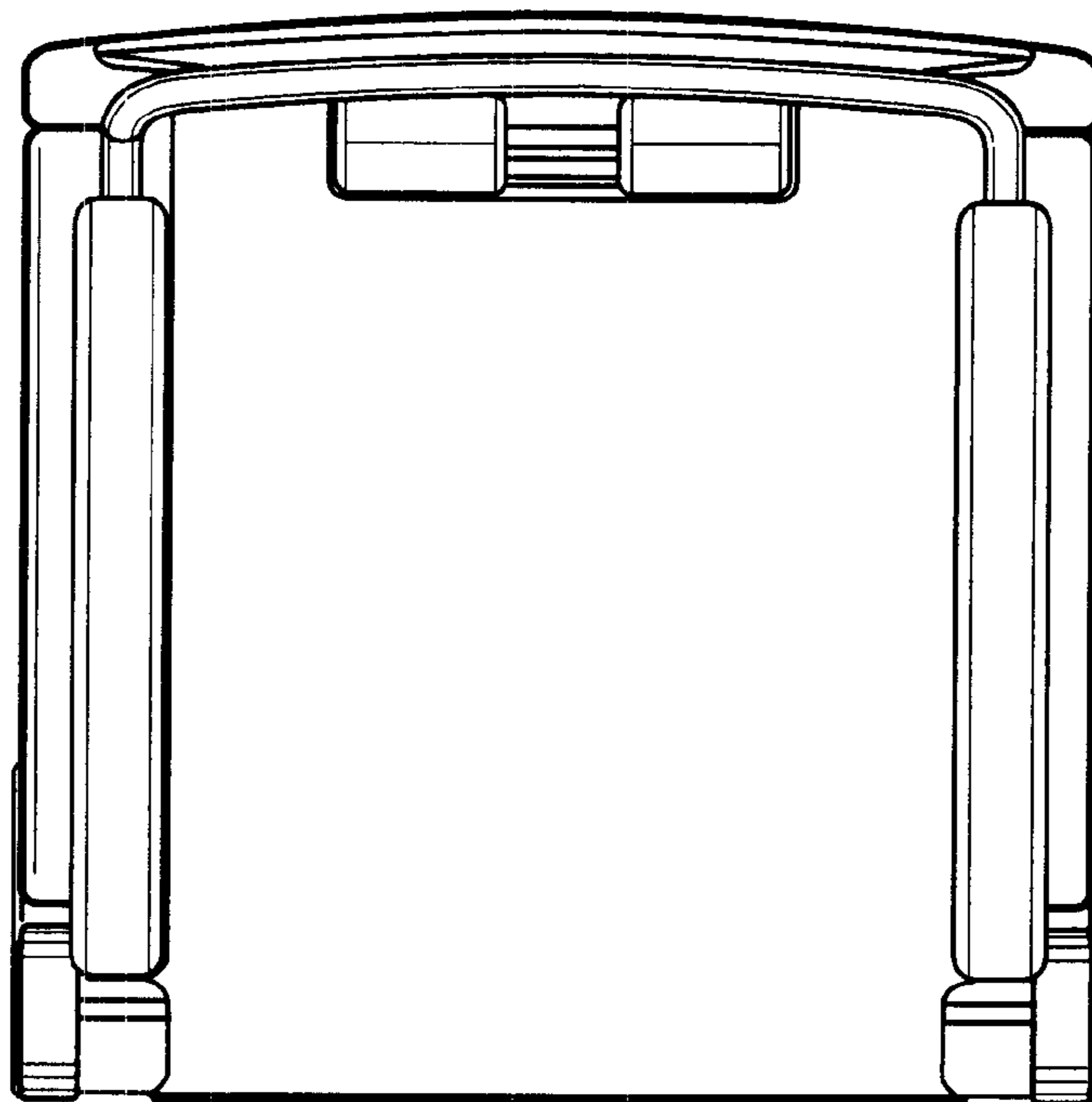


FIG. 9

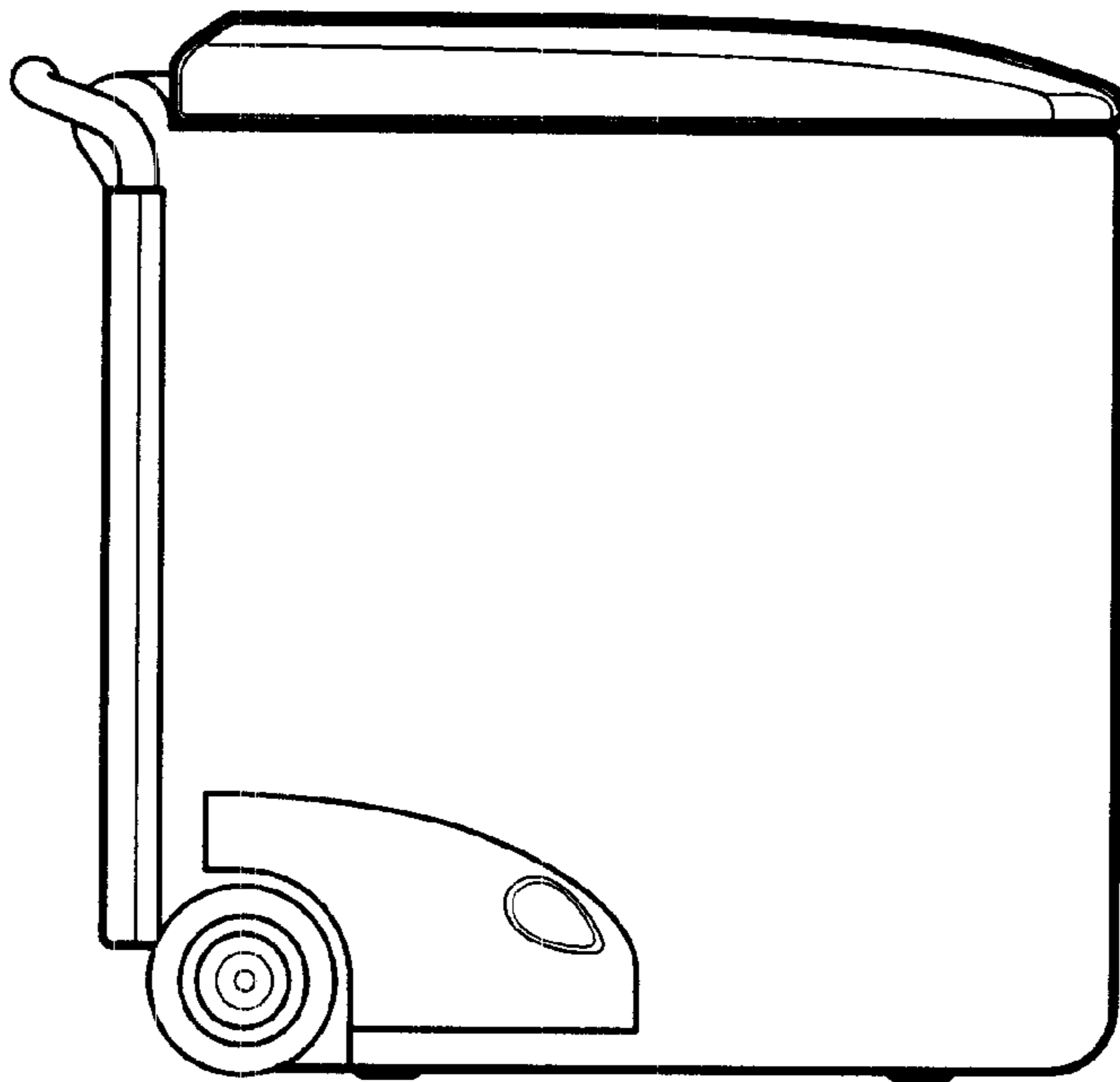


FIG. 10

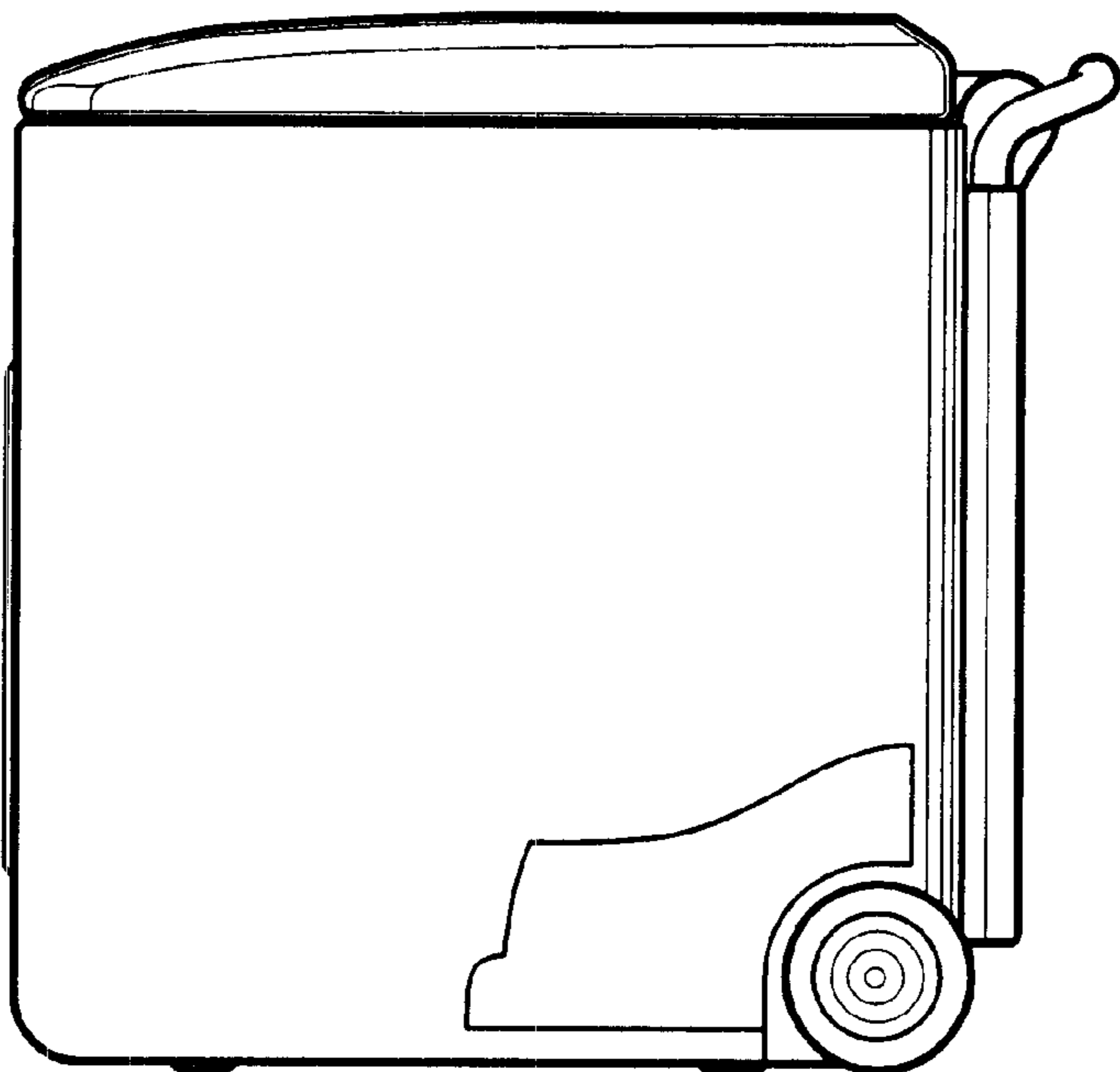


FIG. 11

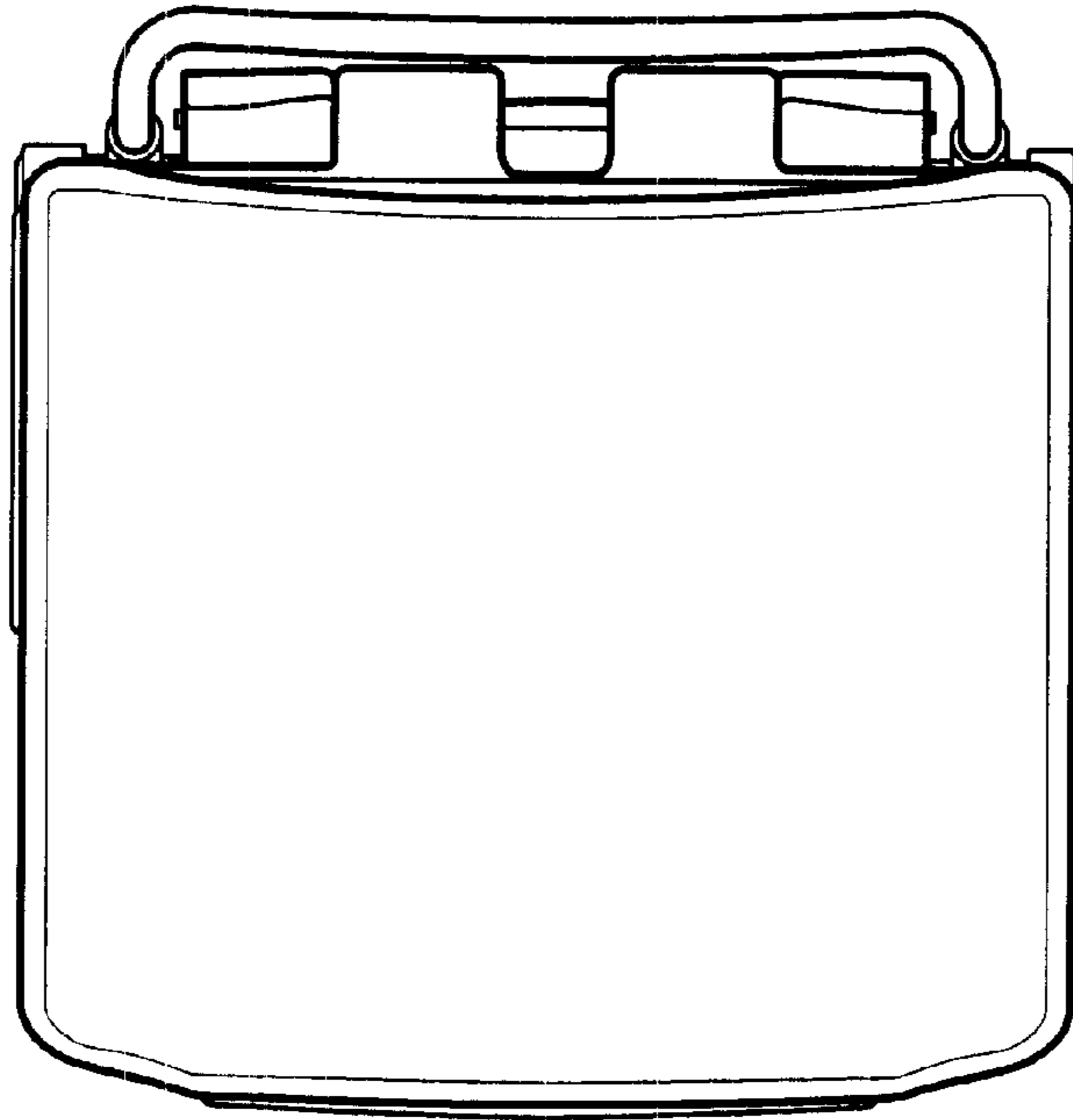


FIG. 12

