

US00D464533S

(12) **United States Design Patent**
McGuyer

(10) **Patent No.:** **US D464,533 S**

(45) **Date of Patent:** **** Oct. 22, 2002**

(54) **CONDIMENT STORAGE AND DISPENSING CAROUSEL**

(75) **Inventor:** **Carter W. McGuyer**, Muscle Shoals, AL (US)

(73) **Assignee:** **Robbins Industries, Inc.**, Florence, AL (US)

(**) **Term:** **14 Years**

- 5,335,804 A 8/1994 Flory
- 5,440,785 A 8/1995 McDonald
- D363,354 S 10/1995 Start et al.
- 5,524,775 A 6/1996 Kaine
- D392,852 S 3/1998 Wetterings et al.
- D402,849 S 12/1998 Wetterings et al.
- D403,923 S 1/1999 Wetterings et al.
- D407,610 S 4/1999 Wetterings et al.
- D409,046 S 5/1999 Wetterings et al.

FOREIGN PATENT DOCUMENTS

FR 61208 11/1954

OTHER PUBLICATIONS

“Handy Spice” Brochure (Instructions)—Distributed by Tristar Products—Laureldale, Pennsylvania.

Primary Examiner—Terry A. Wallace

(74) *Attorney, Agent, or Firm*—Kramer Levin Naftalis and Frankel LLP; Gregor N. Neff

(21) **Appl. No.:** **29/149,809**

(22) **Filed:** **Oct. 17, 2001**

(51) **LOC (7) Cl.** **07-06**

(52) **U.S. Cl.** **D7/600; D7/707**

(58) **Field of Search** D7/501, 601–615, D7/701, 705–708, 590–600; D9/428, 429, 455, 456, 414, 418, 337; 220/675, 914, 608, 613; 222/142.1–142.3, 132, 144; 211/77, 78

(57) **CLAIM**

The ornamental design for a condiment storage and dispensing carousel, as shown and described.

(56) **References Cited**

U.S. PATENT DOCUMENTS

- 1,977,092 A 10/1934 Scurlock
- 1,978,695 A 10/1934 Clark
- 2,030,899 A 2/1936 Scurlock
- 2,110,921 A 3/1938 Scurlock
- 2,556,430 A 9/1951 Sobers
- D208,806 S 10/1967 Bliss
- 3,794,952 A 2/1974 Dowis
- D232,341 S 8/1974 Mudde
- D280,965 S 10/1985 Prophet, Jr. et al.
- D283,479 S 4/1986 Swett et al.
- 4,594,860 A 6/1986 Coellner et al.
- D290,573 S 6/1987 Drummond, Jr. et al.
- 4,775,055 A 10/1988 Morse
- 5,031,779 A 7/1991 Szenay et al.
- D321,627 S 11/1991 Plough
- 5,255,824 A 10/1993 Filella Pablos

DESCRIPTION

FIG. 1 is a top, front perspective view of a combined condiment storage and dispensing carousel showing my new design, the carousel being symmetrical about its central vertical axis and having the same appearance from all sides, the bottom of the carousel being unadorned; FIG. 2 is a side elevation view thereof; FIG. 3 is a top, front elevation view of an alternate embodiment of FIG. 1, the carousel being symmetrical about its central vertical axis and having the same appearance from all sides, the bottom of the carousel being unadorned; and, FIG. 4 is a side elevation view of FIG. 3.

1 Claim, 4 Drawing Sheets

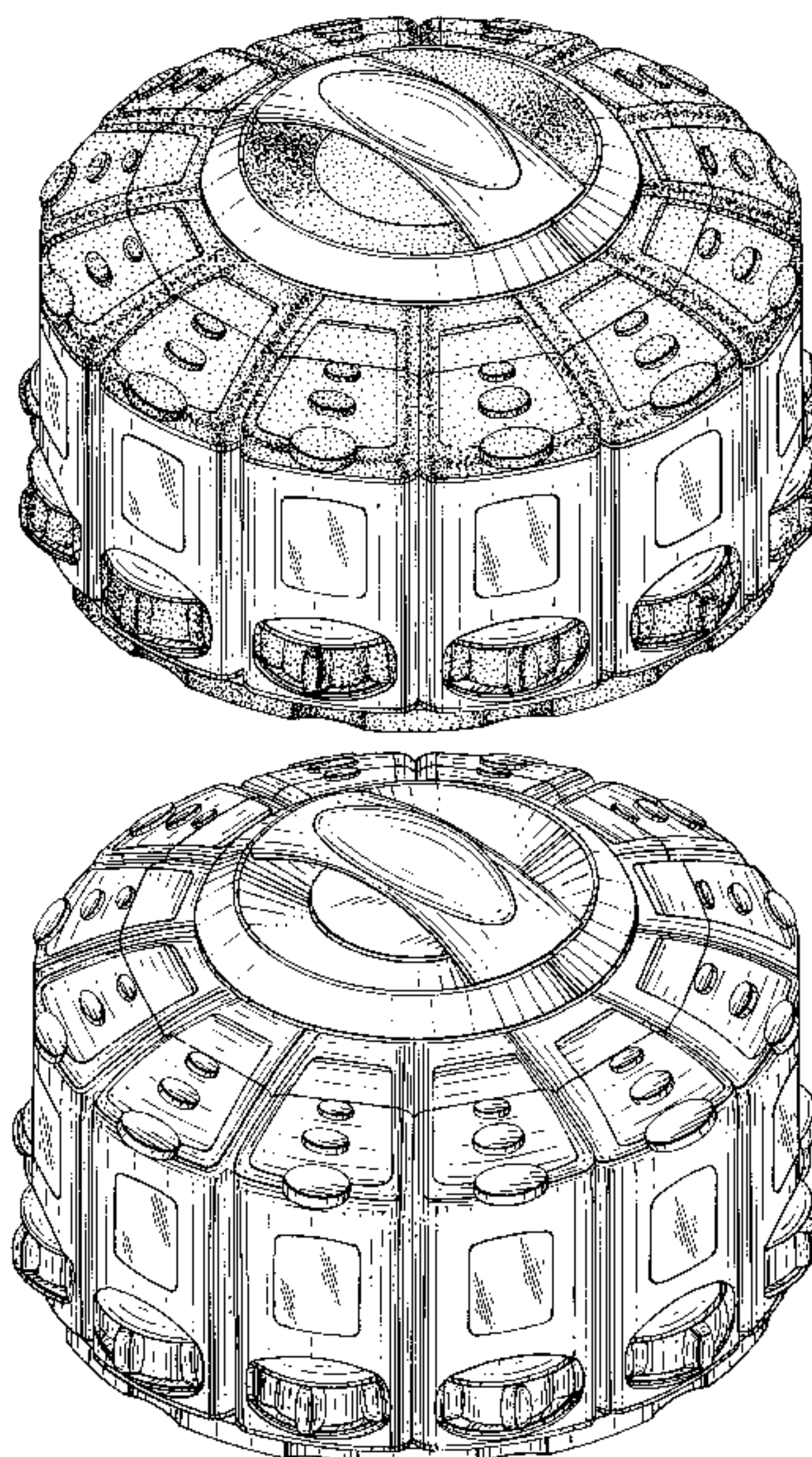


FIG. 1

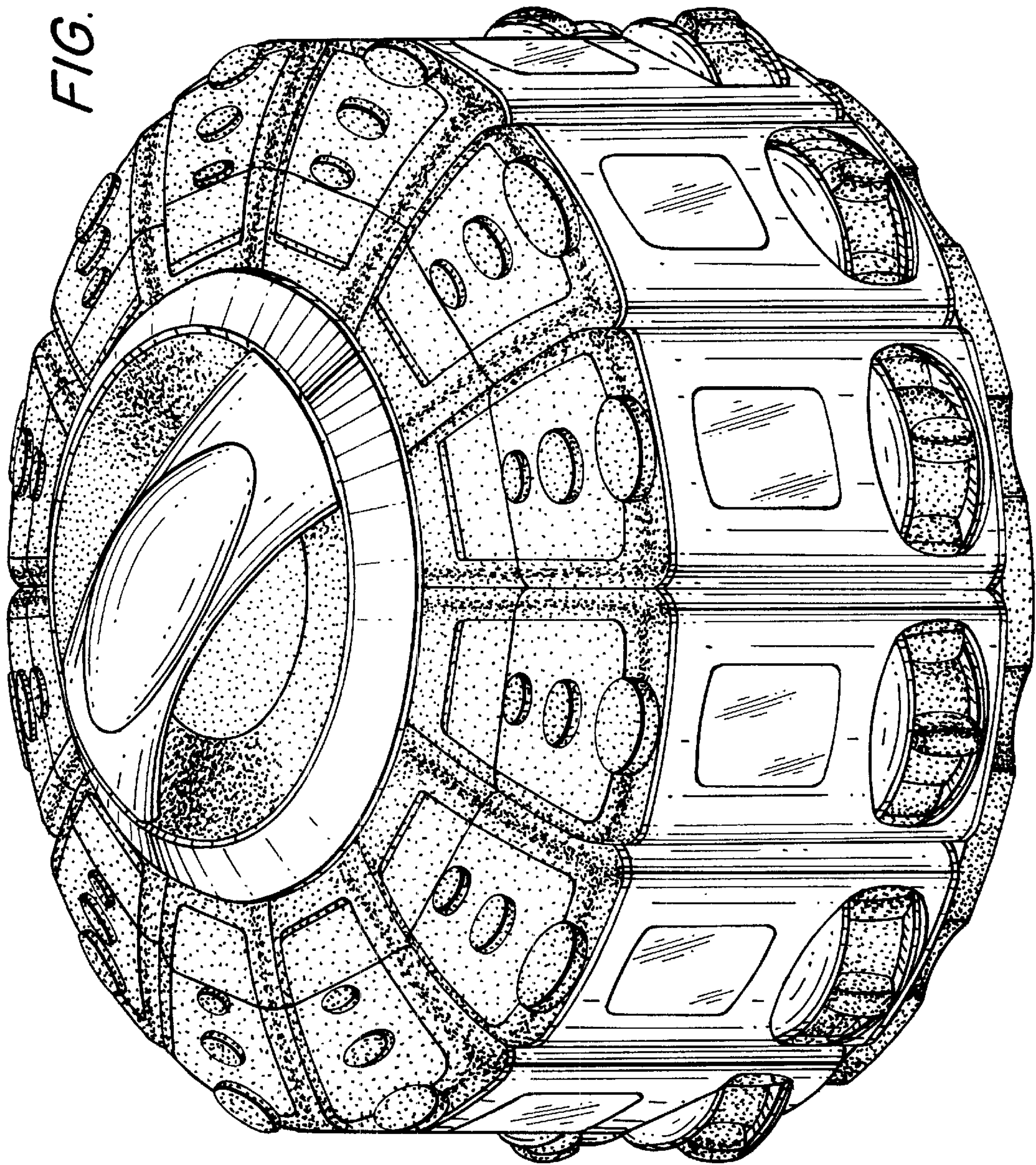


FIG. 2

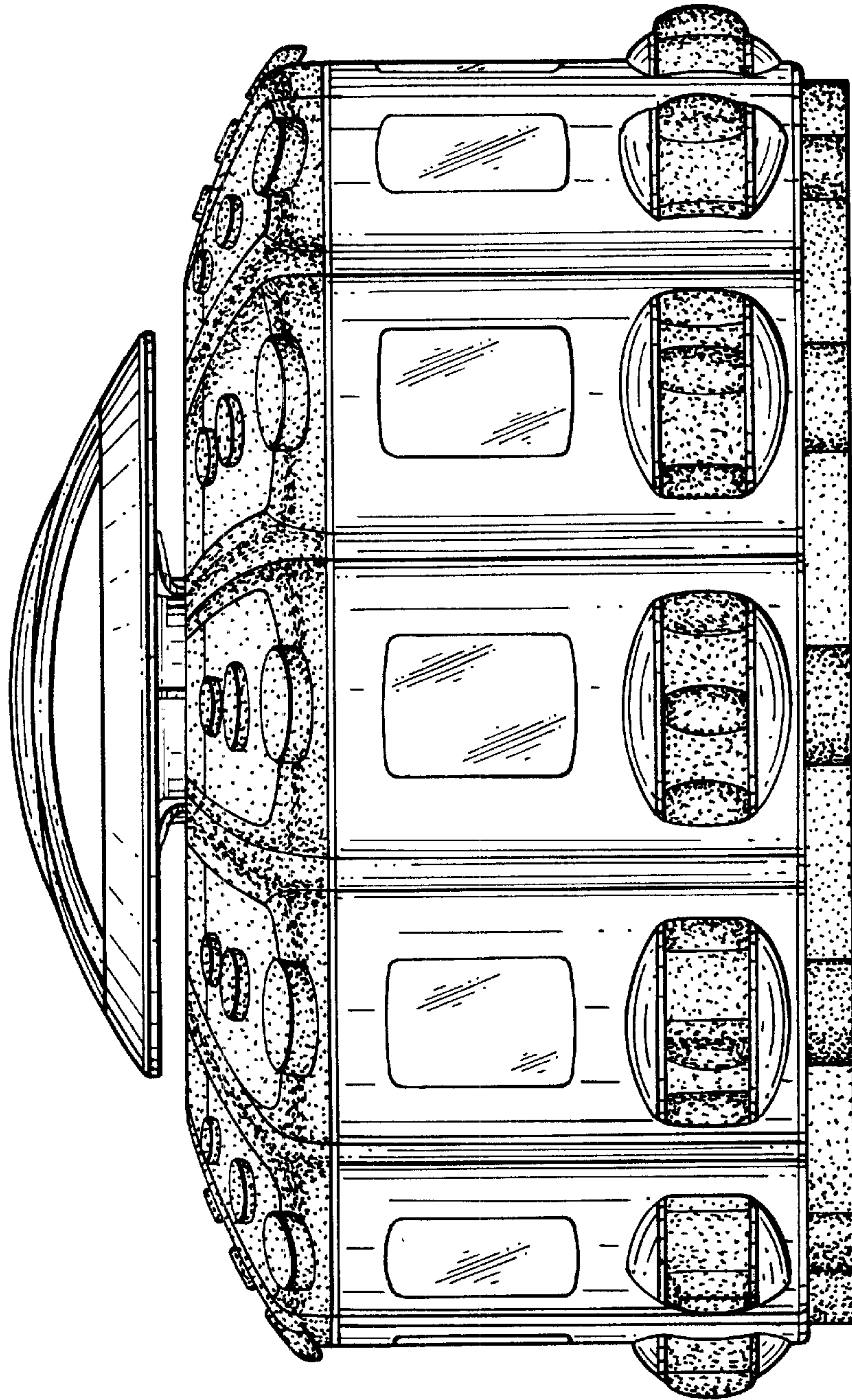


FIG. 3

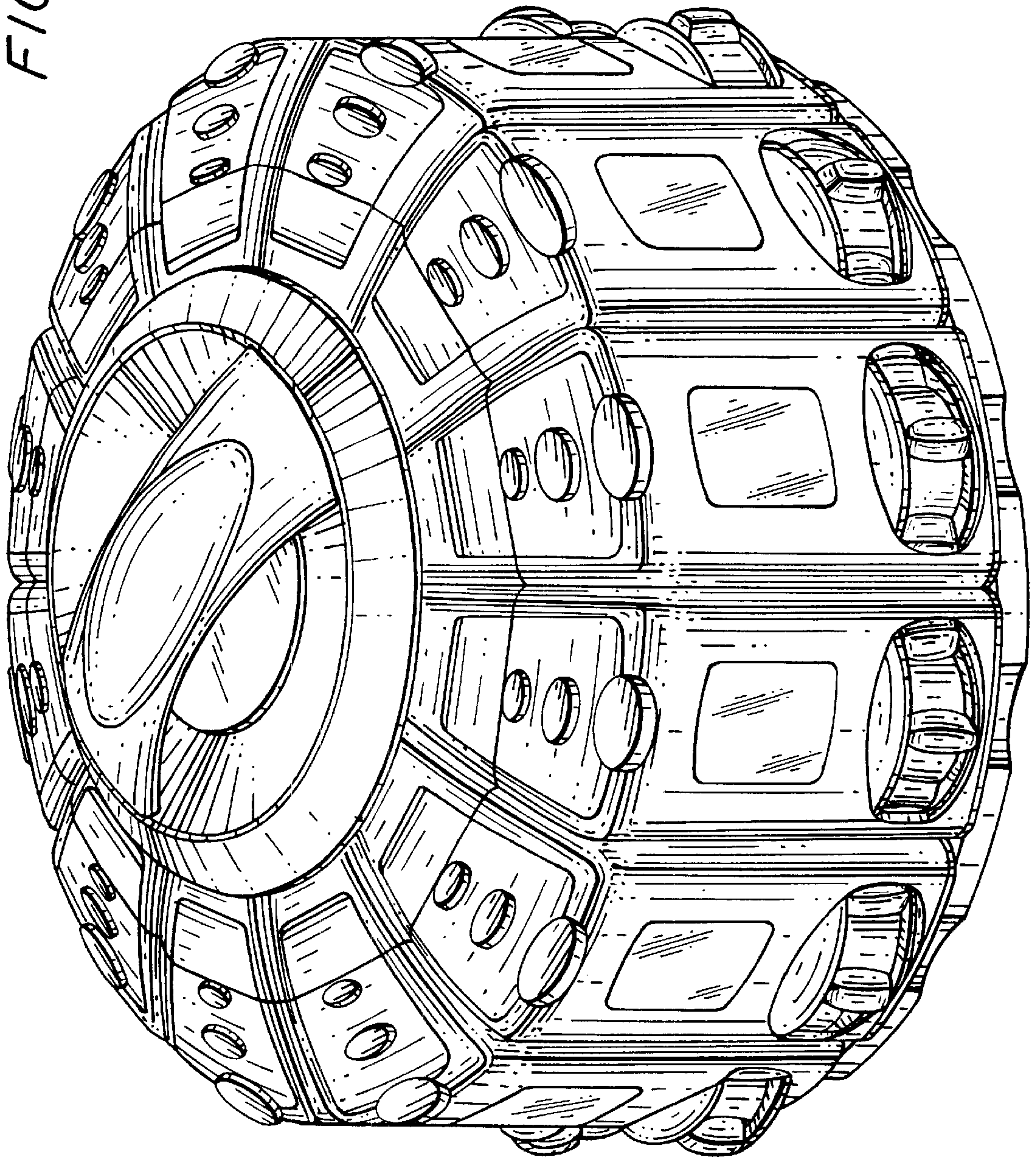


FIG. 4

