



US00D464528S

(12) **United States Design Patent**
Yu

(10) **Patent No.:** **US D464,528 S**

(45) **Date of Patent:** **** Oct. 22, 2002**

(54) **HANDLE FOR KITCHEN UTENSIL**

(75) Inventor: **Ka Keung Yu, Kwai Chung (HK)**

(73) Assignee: **Team Concept (H. K.) Industry Limited, New Territories (HK)**

(**) Term: **14 Years**

(21) Appl. No.: **29/150,197**

(22) Filed: **Nov. 13, 2001**

(51) **LOC (7) Cl.** **07-02**

(52) **U.S. Cl.** **D7/395**

(58) **Field of Search** D7/393, 395, 401.2,
D7/681-697, 354-361; D8/107; 16/110.1,
430, 431

(56) **References Cited**

U.S. PATENT DOCUMENTS

- 4,556,245 A * 12/1985 Gruenwald 16/110.1
- 4,653,468 A * 3/1987 Lemme et al. 16/431 X
- D424,869 S * 5/2000 Chau D7/395
- D424,870 S * 5/2000 Thurlow D7/395

* cited by examiner

Primary Examiner—Terry A. Wallace

(74) *Attorney, Agent, or Firm*—Rabin & Berdo, P.C.

(57) **CLAIM**

The ornamental design for a handle for kitchen utensil, as shown and described.

DESCRIPTION

FIG. 1 is a perspective view of a handle for kitchen utensil showing my new design;

FIG. 2 is a front view thereof;

FIG. 3 is a left view thereof;

FIG. 4 is a right side view thereof;

FIG. 5 is a rear view thereof;

FIG. 6 is a top plan view thereof;

FIG. 7 is a bottom plan view thereof; and,

FIG. 8 is a perspective view with parts attached.

The broken lines are for illustrative purposes only and form no part of the claimed design.

1 Claim, 3 Drawing Sheets

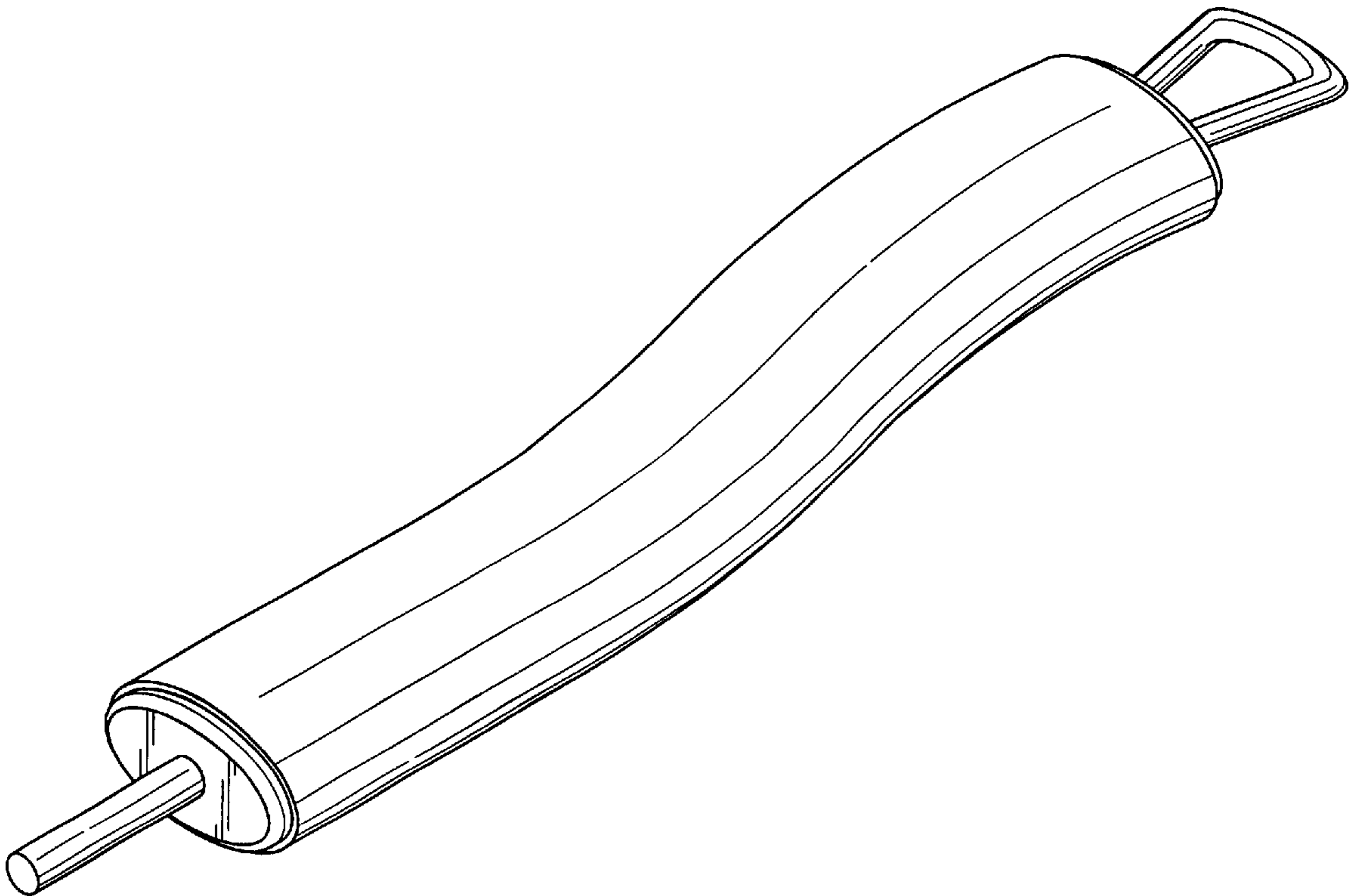


FIG. 7

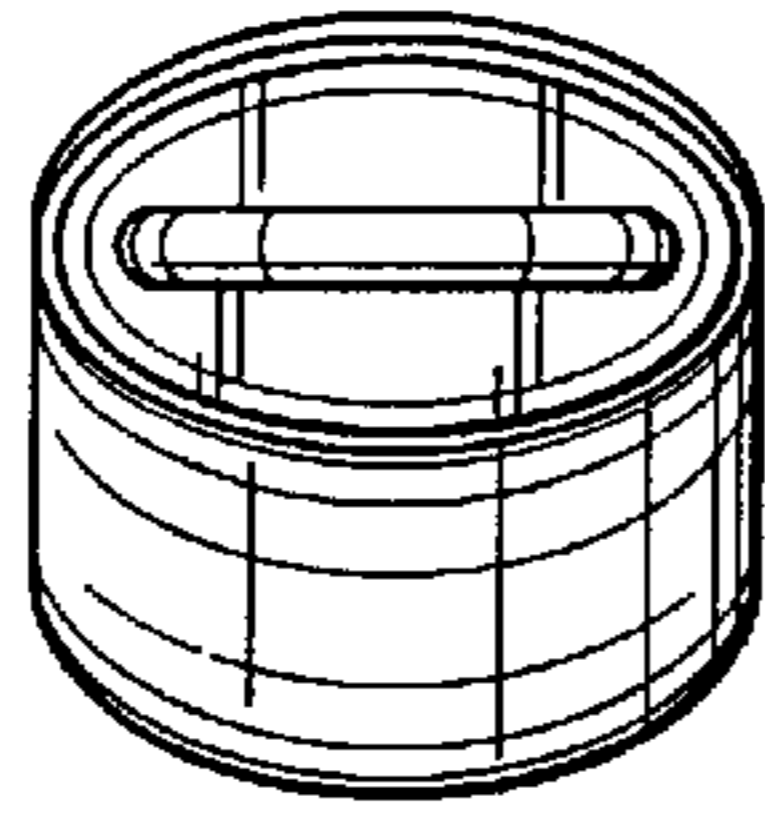


FIG. 6

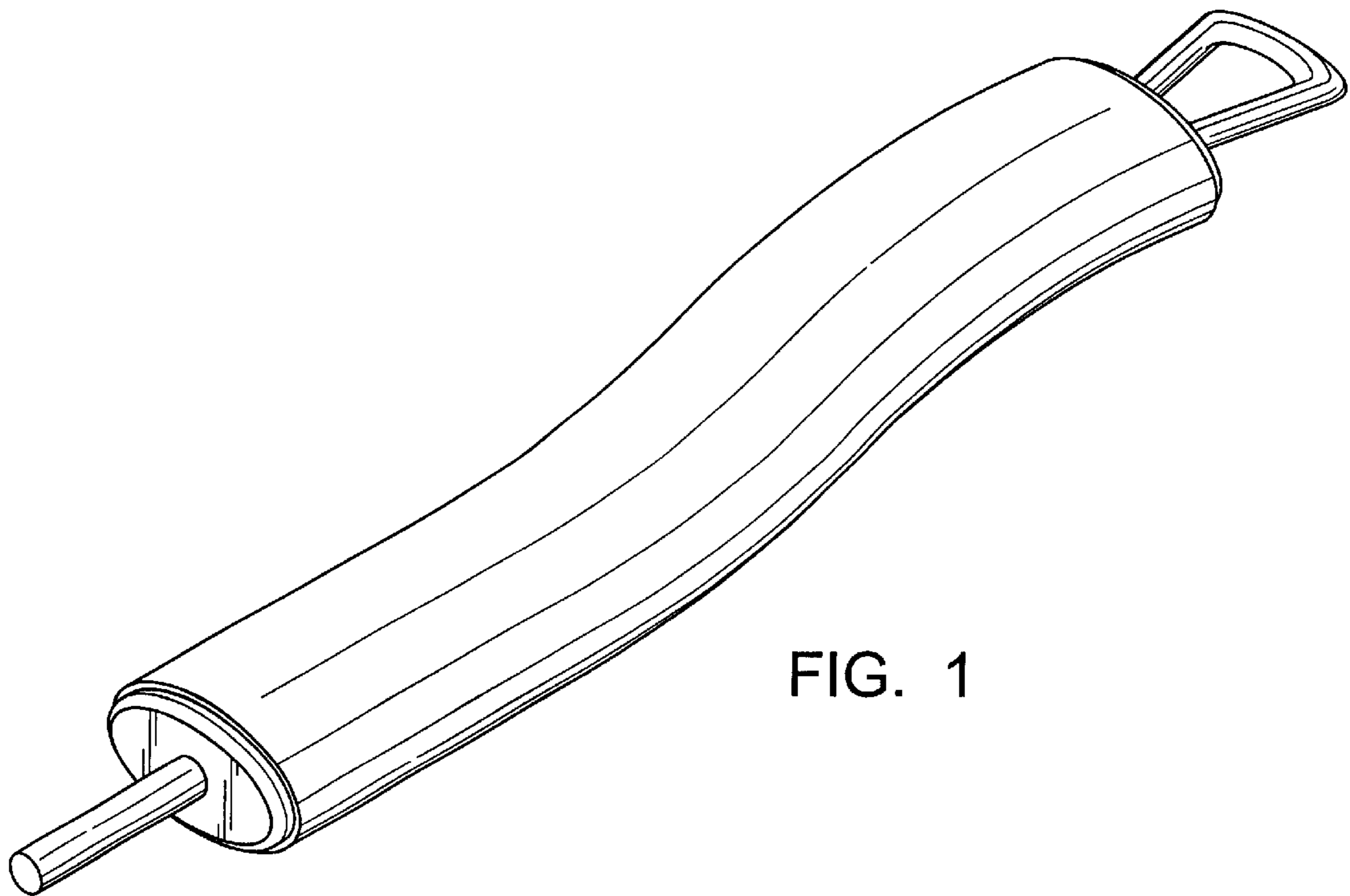
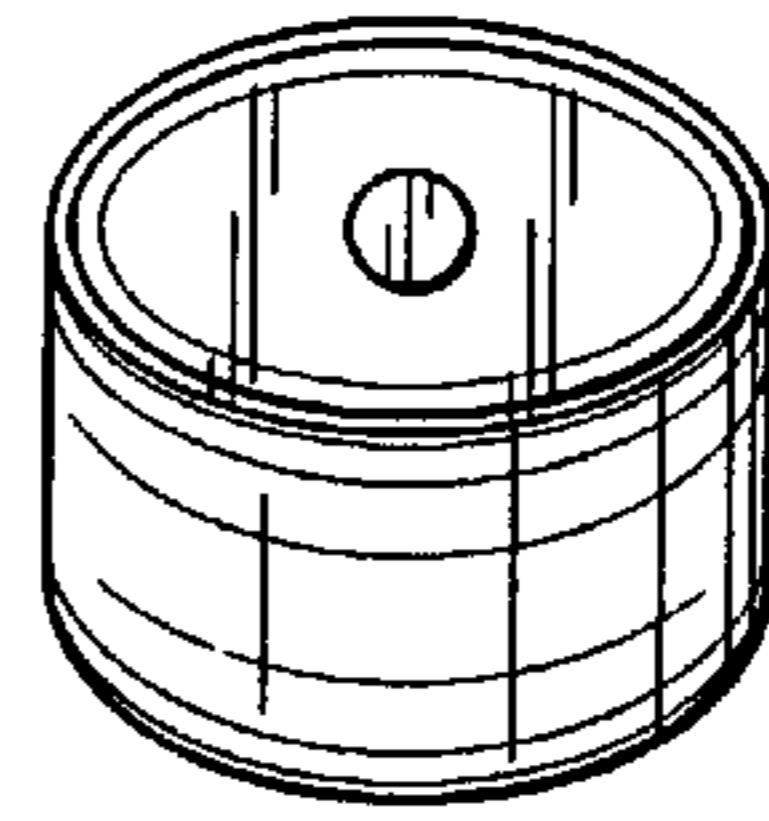


FIG. 1

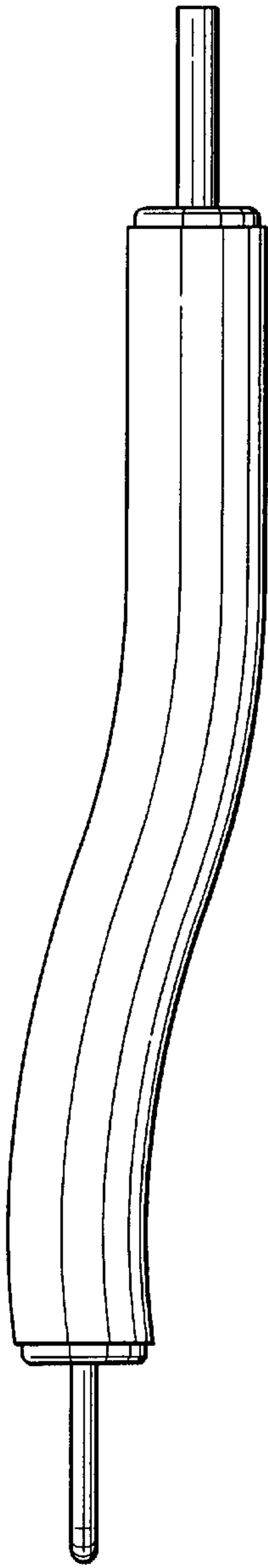


FIG. 4

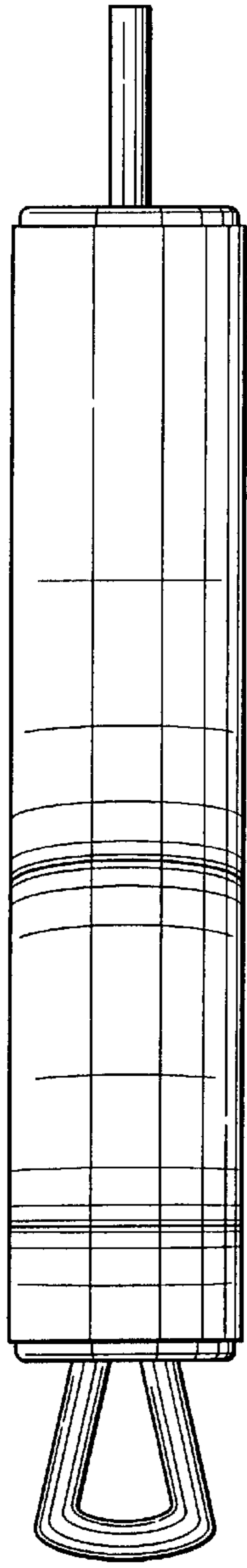


FIG. 2

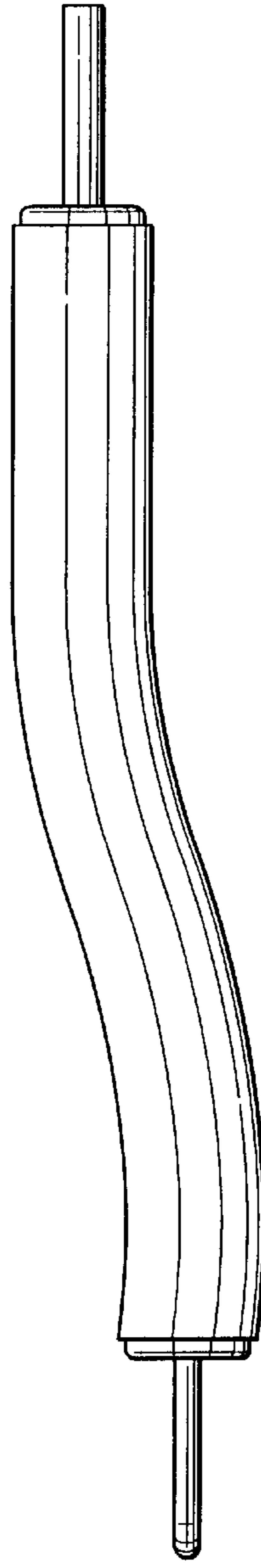


FIG. 3

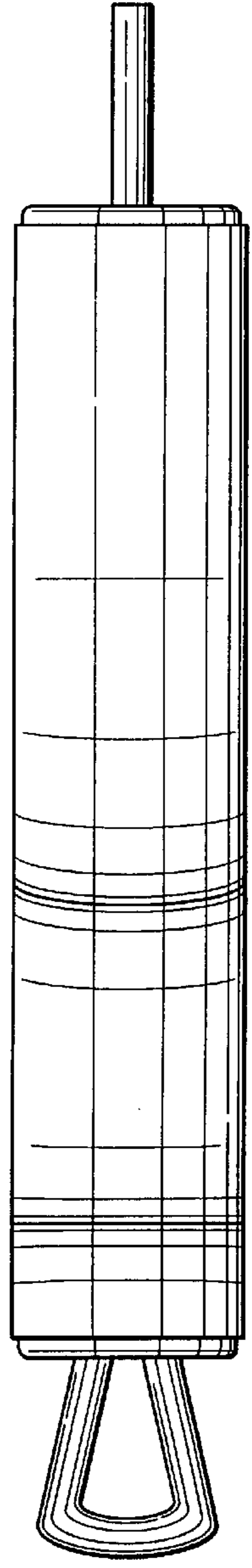


FIG. 5

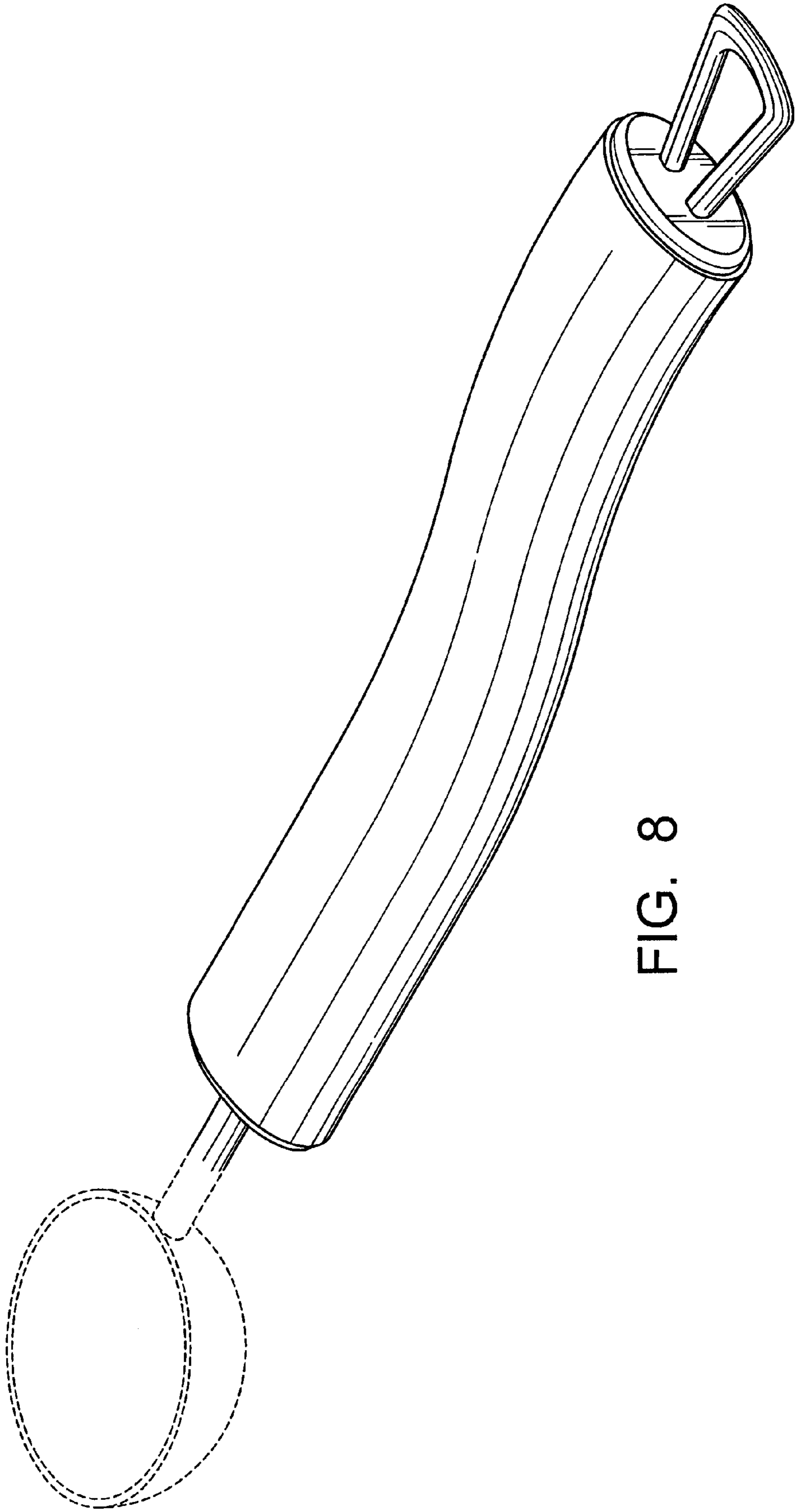


FIG. 8