



US00D464525S

(12) **United States Design Patent**
Pai

(10) **Patent No.:** **US D464,525 S**

(45) **Date of Patent:** **** Oct. 22, 2002**

(54) **SHELL-LIKE ROASTER**

(76) **Inventor:** **Lucas Pai**, 8 Fl.-2, No. 160, Sec. 1,
Chung-Kang Rd., Taichung (TW)

(**) **Term:** **14 Years**

(21) **Appl. No.:** **29/155,408**

(22) **Filed:** **Feb. 11, 2002**

(51) **LOC (7) Cl.** **07-02**

(52) **U.S. Cl.** **D7/337**

(58) **Field of Search** D7/332-337, 402,
D7/403, 404; 126/25 R, 25 A, 25 AA, 41 R,
29-30, 9 R; 99/419

(56) **References Cited**

U.S. PATENT DOCUMENTS

D255,096 S	*	5/1980	Etelson	D9/310
D281,042 S	*	10/1985	Antoni et al.	D7/539
D308,021 S	*	5/1990	Natori	D9/310
D414,980 S	*	10/1999	Pai	D7/337
D415,649 S	*	10/1999	Pai	D7/337

D415,925 S * 11/1999 Pai D7/337

D420,546 S * 2/2000 Pai D7/332

D446,678 S * 8/2001 Pai D7/337

D455,598 S * 4/2002 Pai D7/337

* cited by examiner

Primary Examiner—Ruth McInroy

(74) *Attorney, Agent, or Firm*—Rosenberg, Klein & Lee

(57) **CLAIM**

The ornamental design for a shell-like roaster, as shown.

DESCRIPTION

FIG. 1 is a perspective view of a shell-like roaster showing my new design;

FIG. 2 is a front elevational view thereof;

FIG. 3 is a rear elevational view thereof;

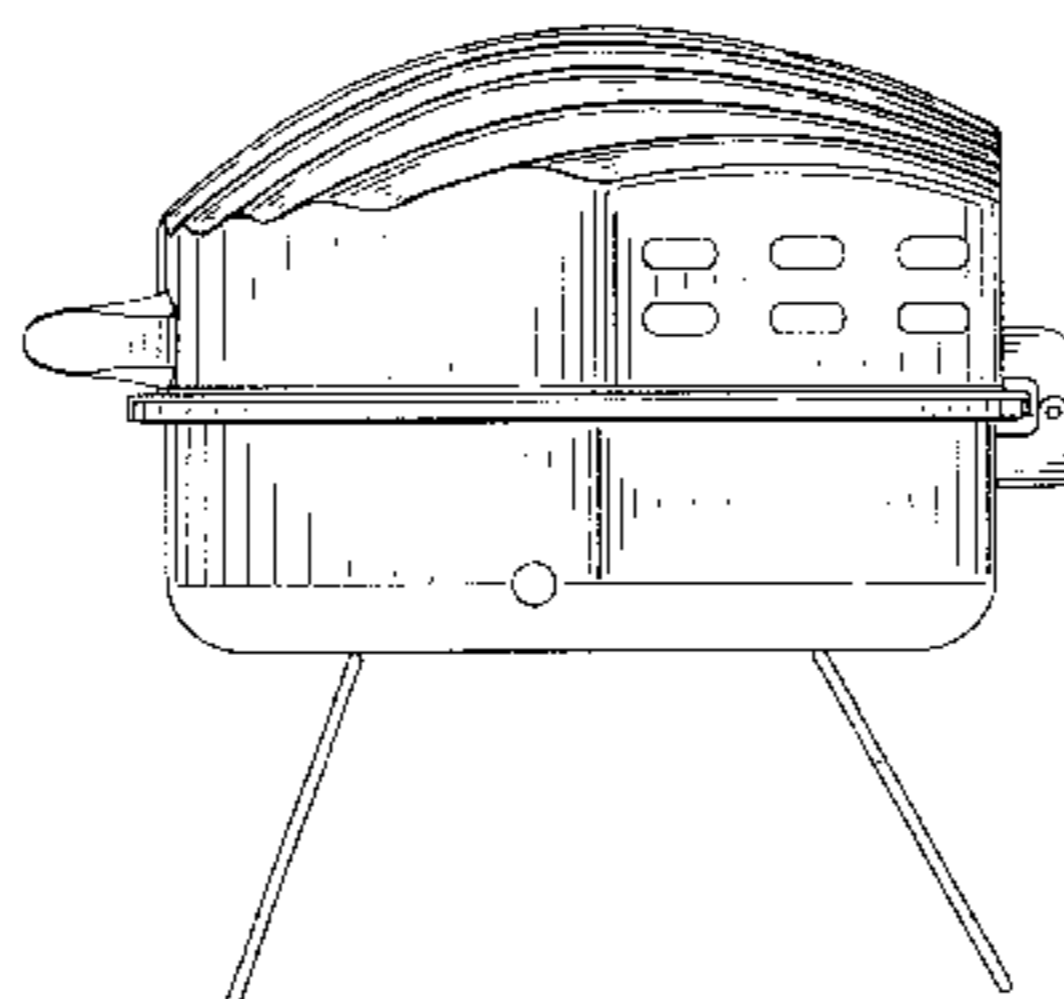
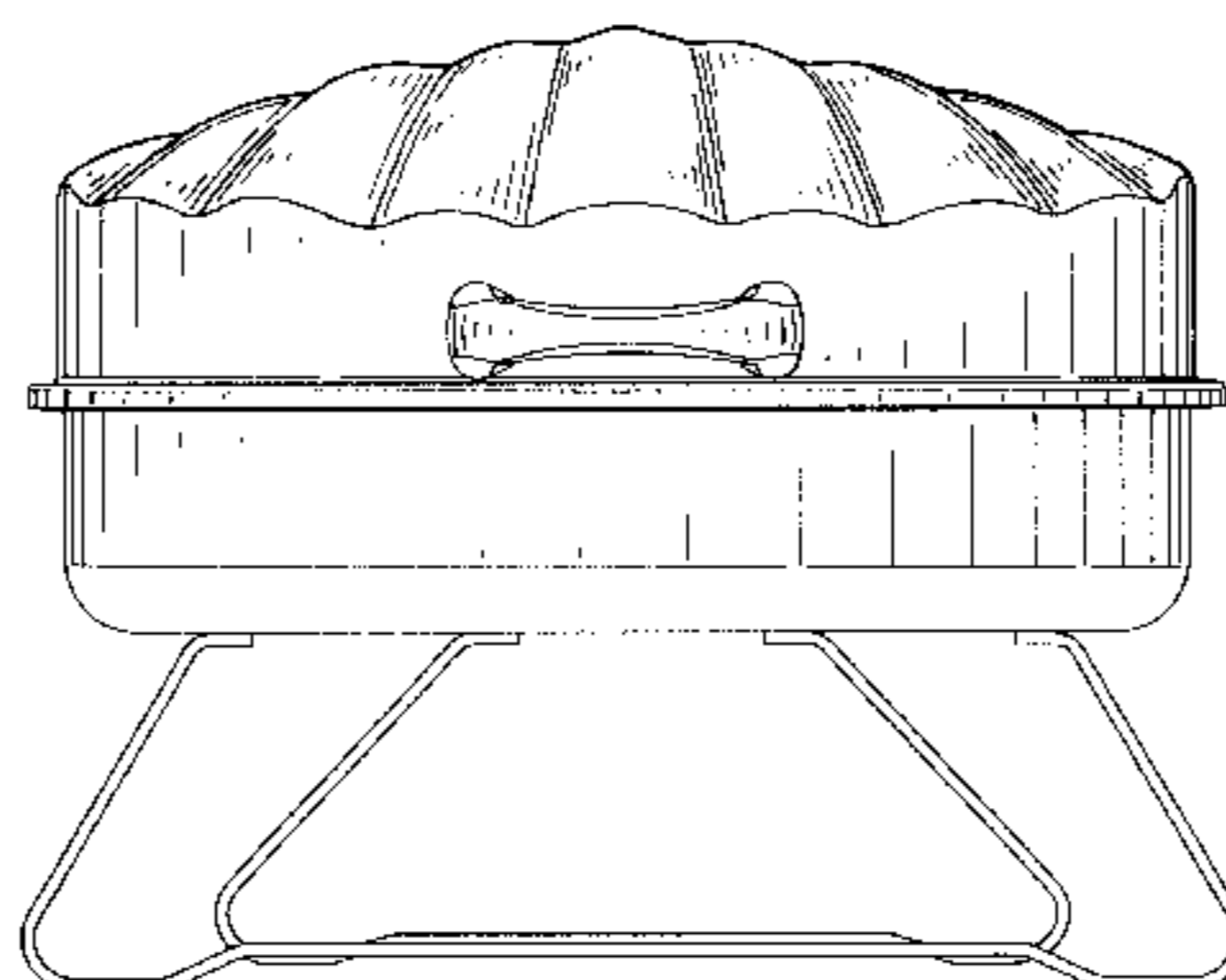
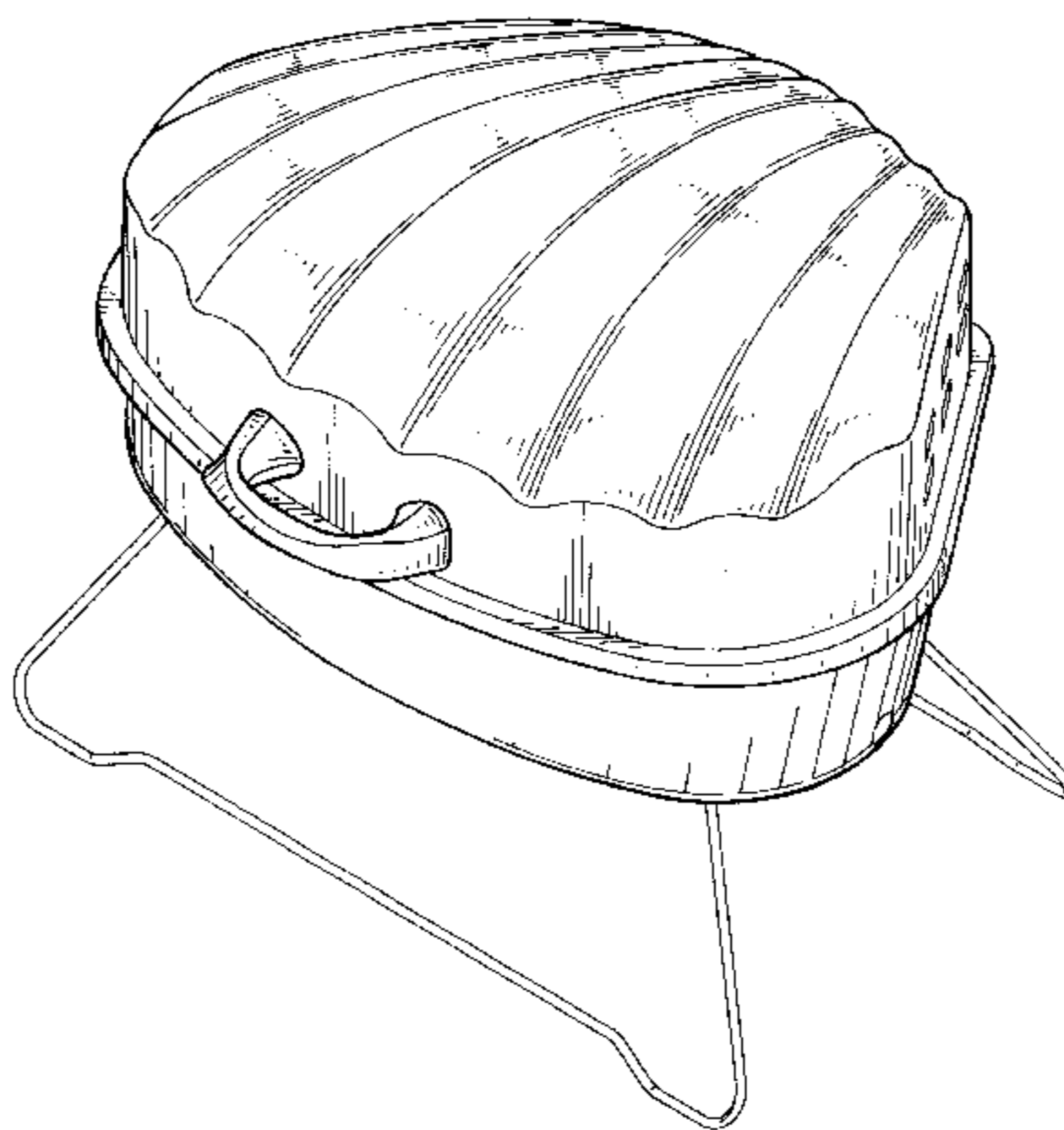
FIG. 4 is a left side view thereof;

FIG. 5 is a right side view thereof;

FIG. 6 is a top plain view thereof; and,

FIG. 7 is a bottom plain view thereof.

1 Claim, 4 Drawing Sheets



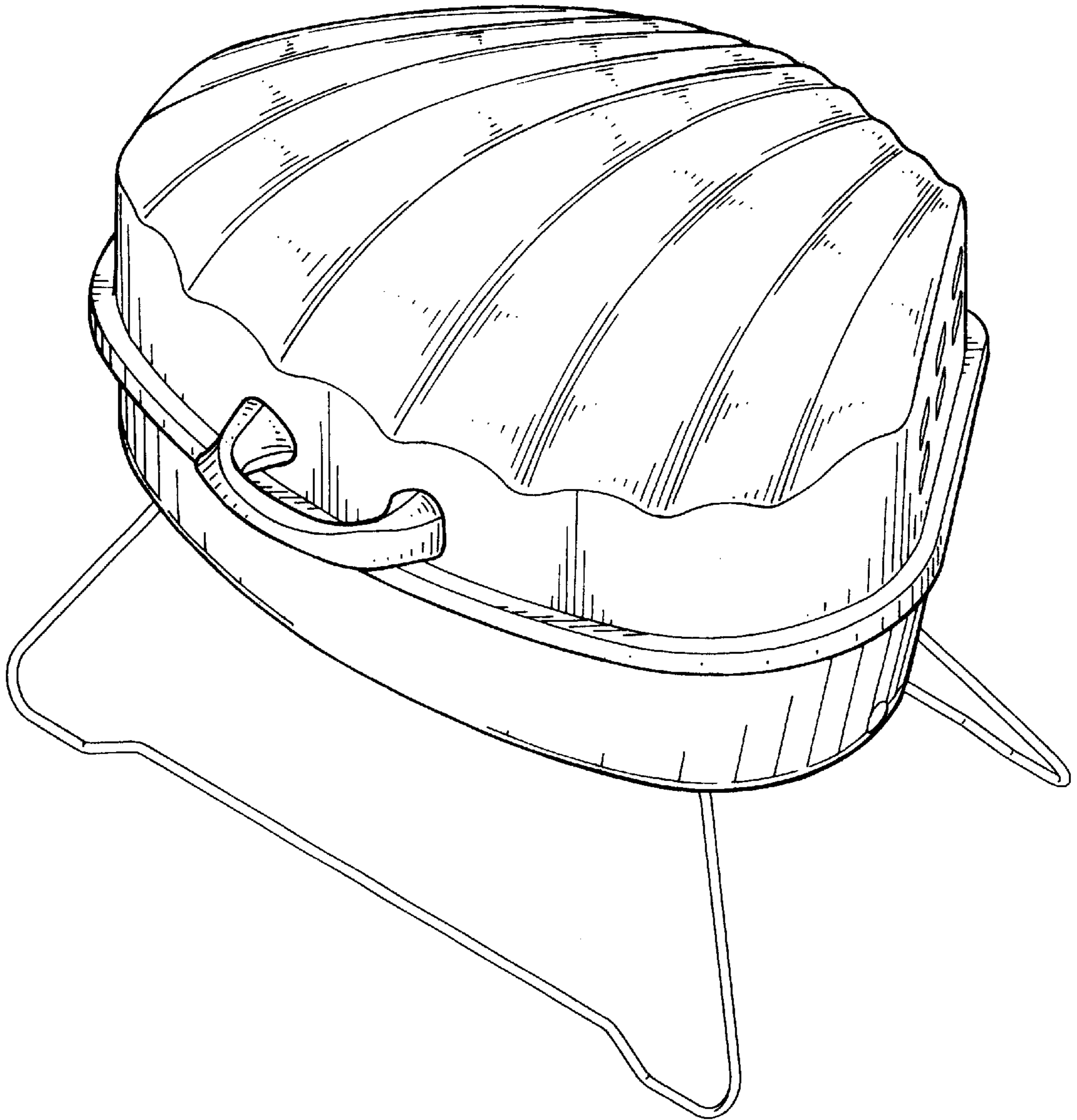


FIG. 1

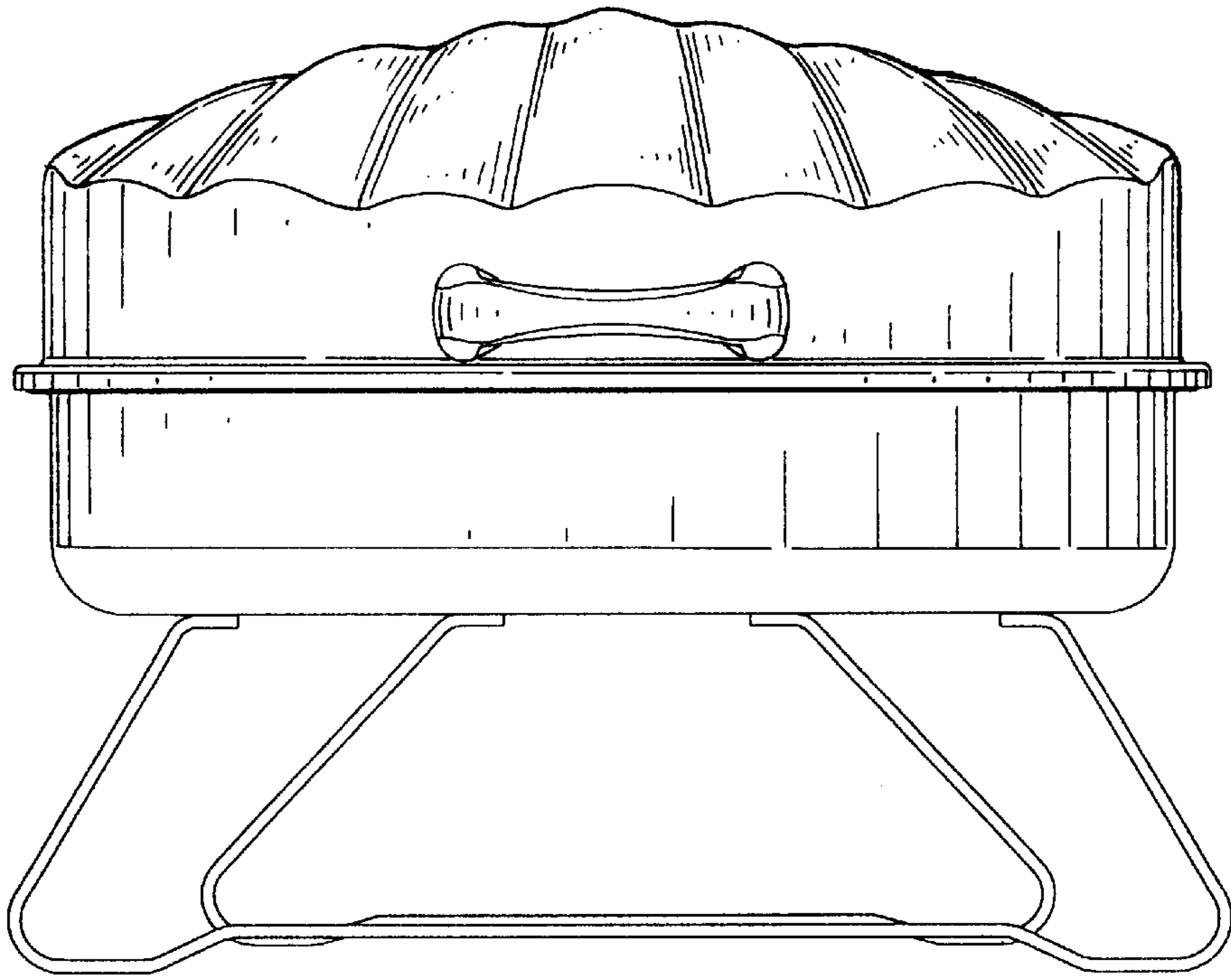


FIG. 2

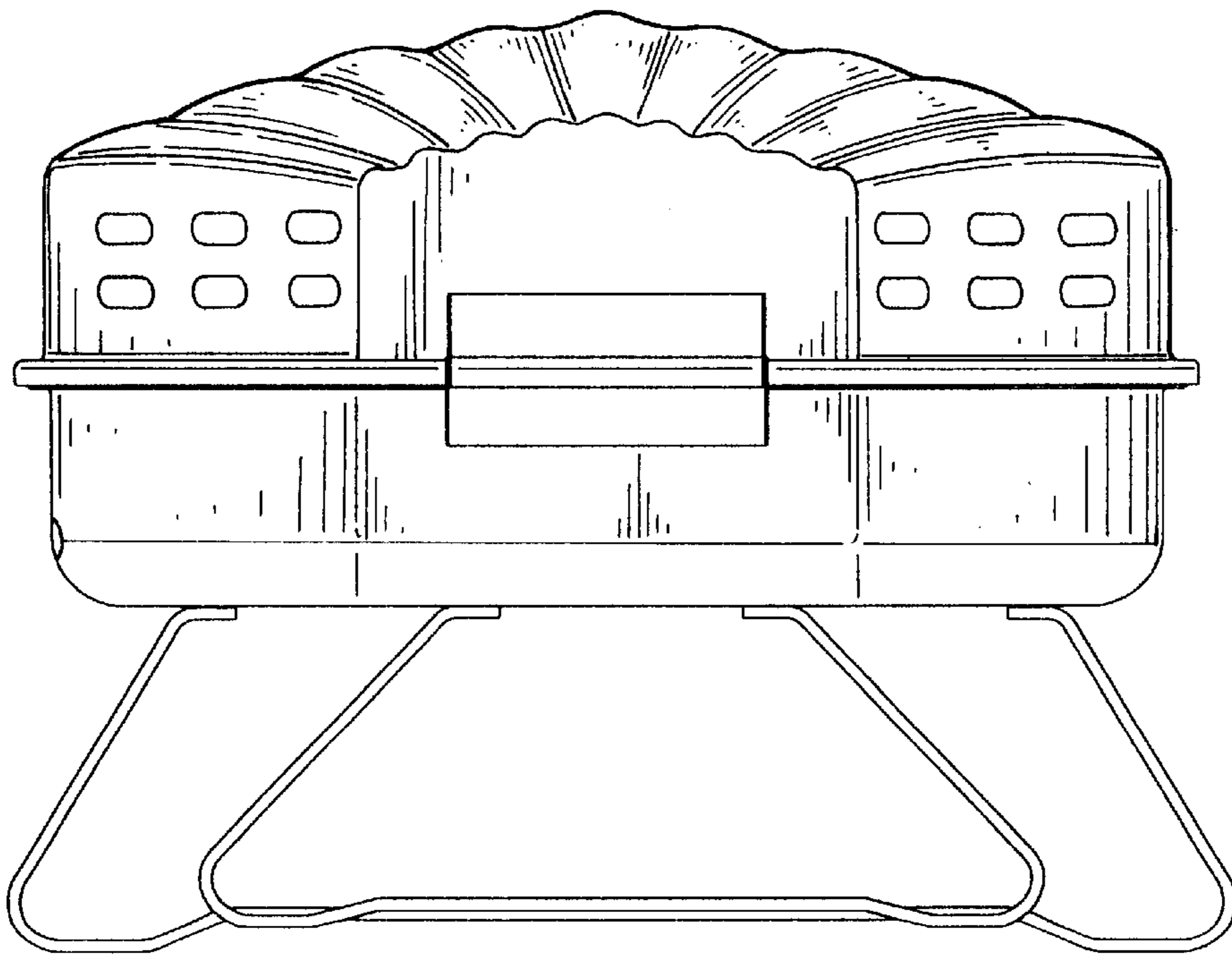


FIG. 3

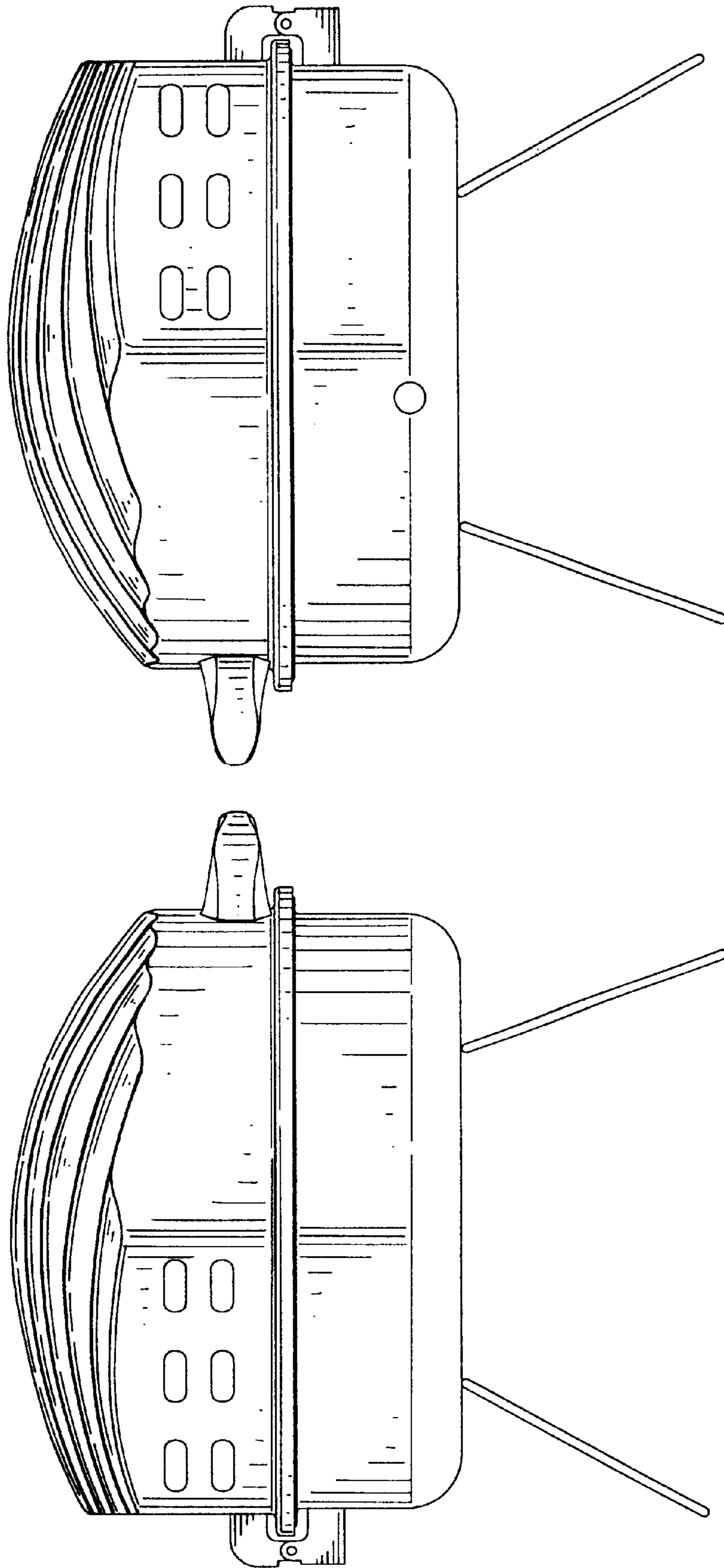


FIG. 4

FIG. 5

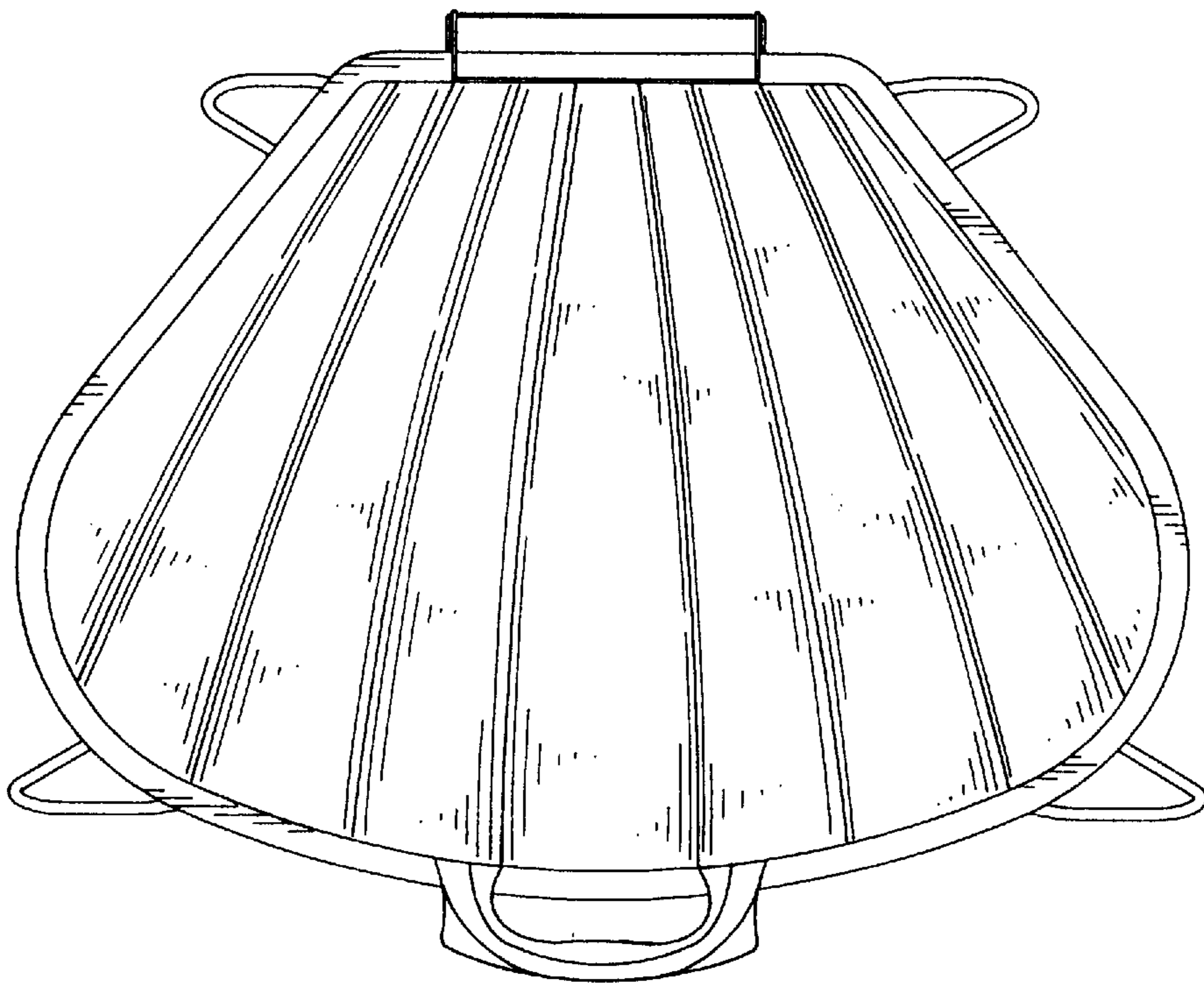


FIG. 6

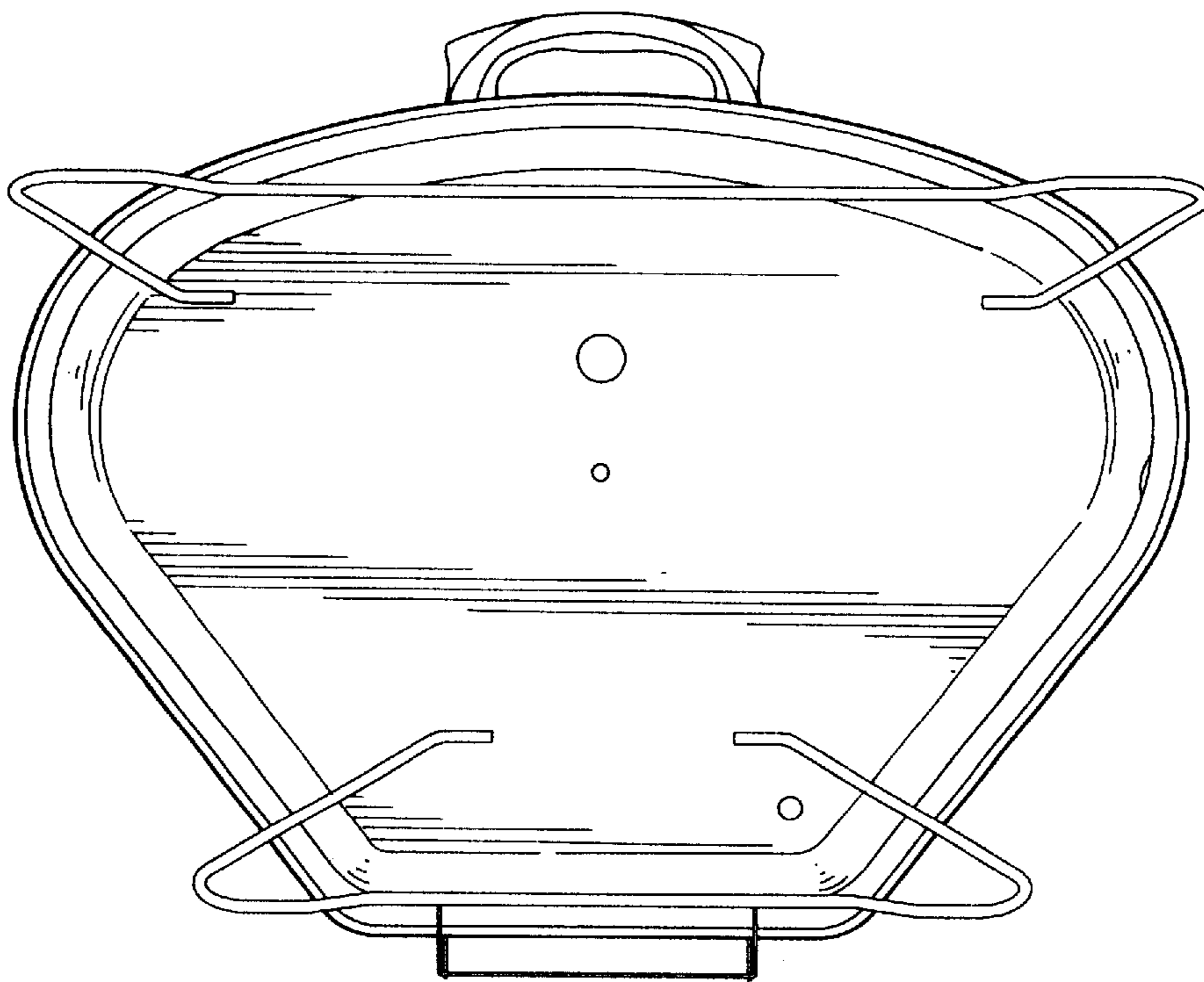


FIG. 7