



US00D464524S

(12) **United States Design Patent**
Pai

(10) **Patent No.:** **US D464,524 S**

(45) **Date of Patent:** **** Oct. 22, 2002**

(54) **BARBECUE GRILL**

(76) **Inventor:** **Lucas Pai**, 8 Fl-2, No. 160, Sec. 1,
Chung-Kang Rd., Taichung (TW)

(**) **Term:** **14 Years**

(21) **Appl. No.:** **29/156,586**

(22) **Filed:** **Mar. 4, 2002**

(51) **LOC (7) Cl.** **07-02**

(52) **U.S. Cl.** **D7/334**

(58) **Field of Search** D7/332-337, 402,
D7/403, 404; 126/25 R, 25 A, 25 AA, 41 R,
29-30, 9 R; 99/419

(56) **References Cited**

U.S. PATENT DOCUMENTS

- D350,668 S * 9/1994 Giebel et al. D7/334
- D409,436 S * 5/1999 Smith D7/334
- D414,374 S * 9/1999 Ting D7/334
- D426,419 S * 6/2000 Kuo D7/334

D428,760 S * 8/2000 Huang D7/334

D435,387 S * 12/2000 Pai D7/334

D450,525 S * 11/2001 Giebel et al. D7/334

D451,751 S * 12/2001 Stewart et al. D7/334

* cited by examiner

Primary Examiner—Ruth McInroy

(74) *Attorney, Agent, or Firm*—William E. Pelton, Esq.

(57) **CLAIM**

The ornamental design for a barbecue grill, as shown.

DESCRIPTION

FIG. 1 is a front-right-top perspective view of a barbecue grill, showing my new design;

FIG. 2 is a front elevational view thereof;

FIG. 3 is a rear elevational view thereof;

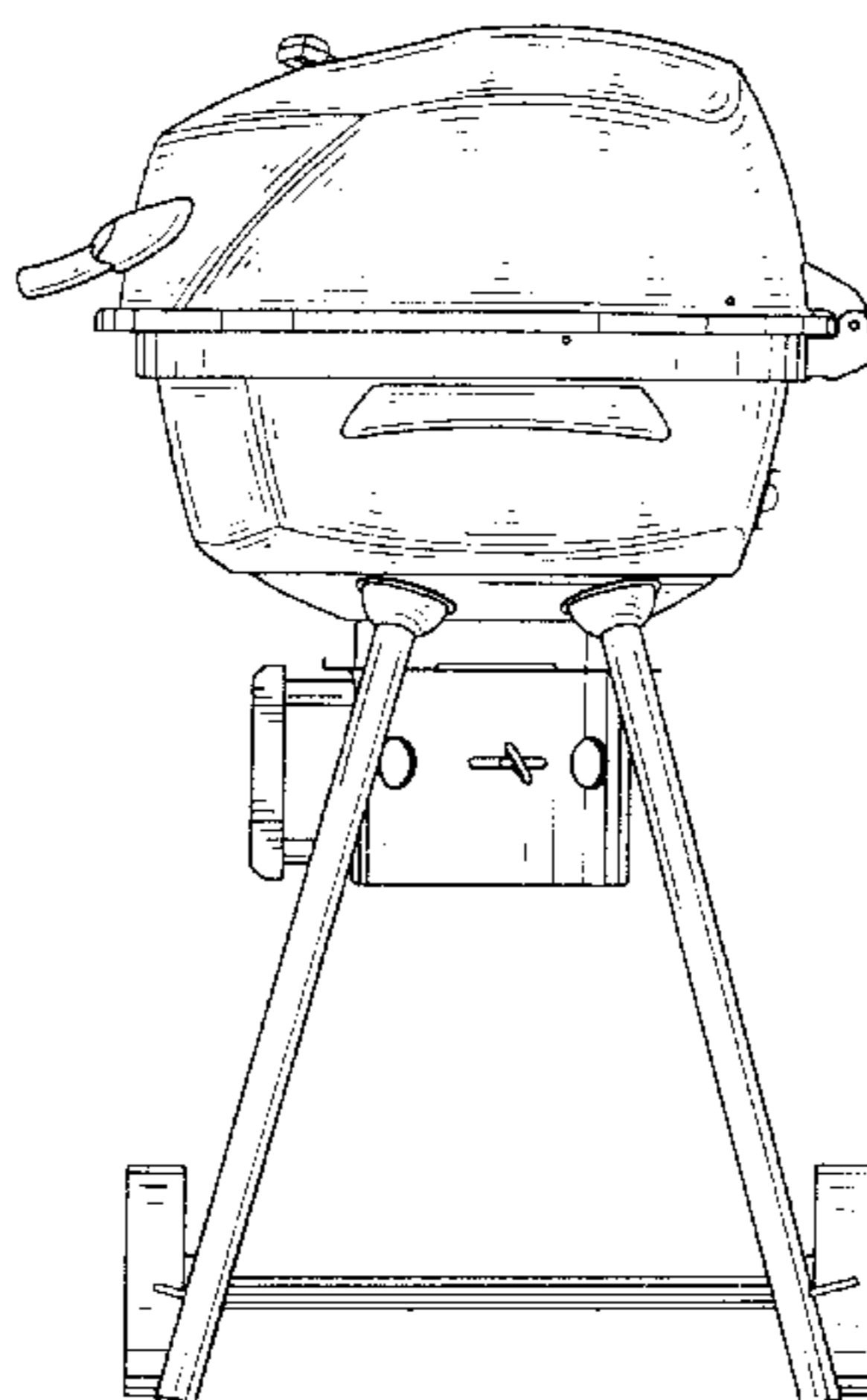
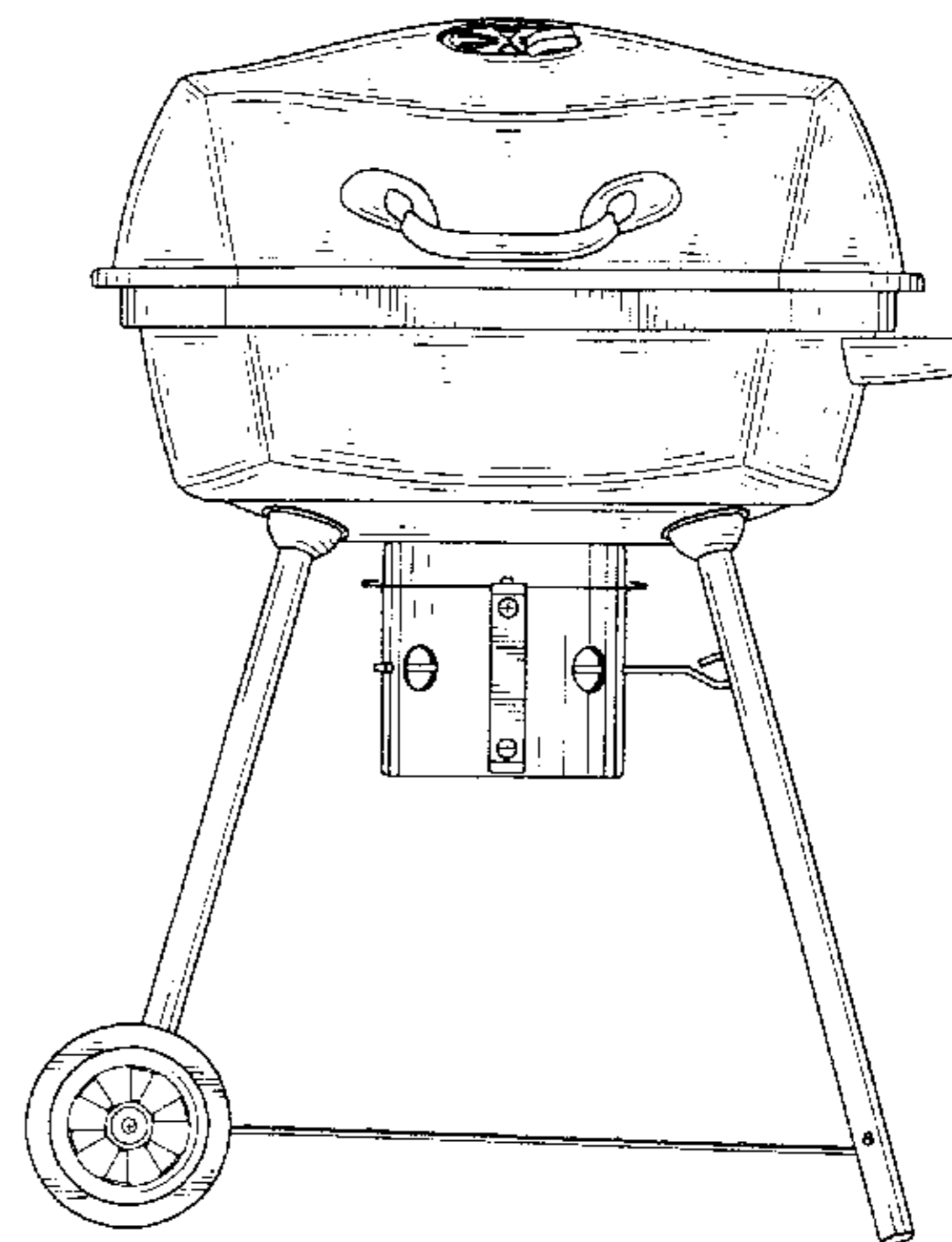
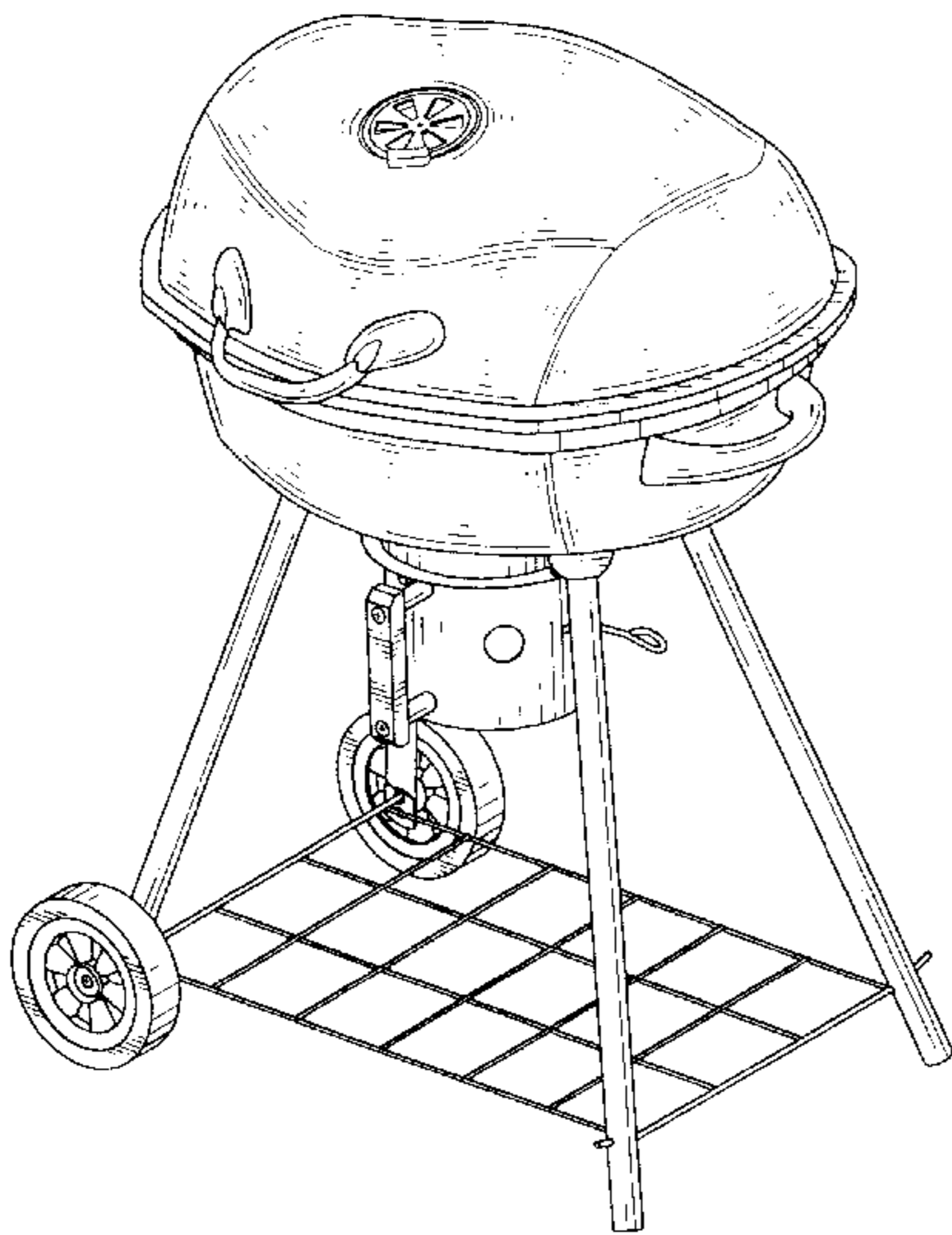
FIG. 4 is a left side elevational view thereof;

FIG. 5 is a right side elevational view thereof;

FIG. 6 is a top plan view thereof; and,

FIG. 7 is a bottom plan view thereof.

1 Claim, 4 Drawing Sheets



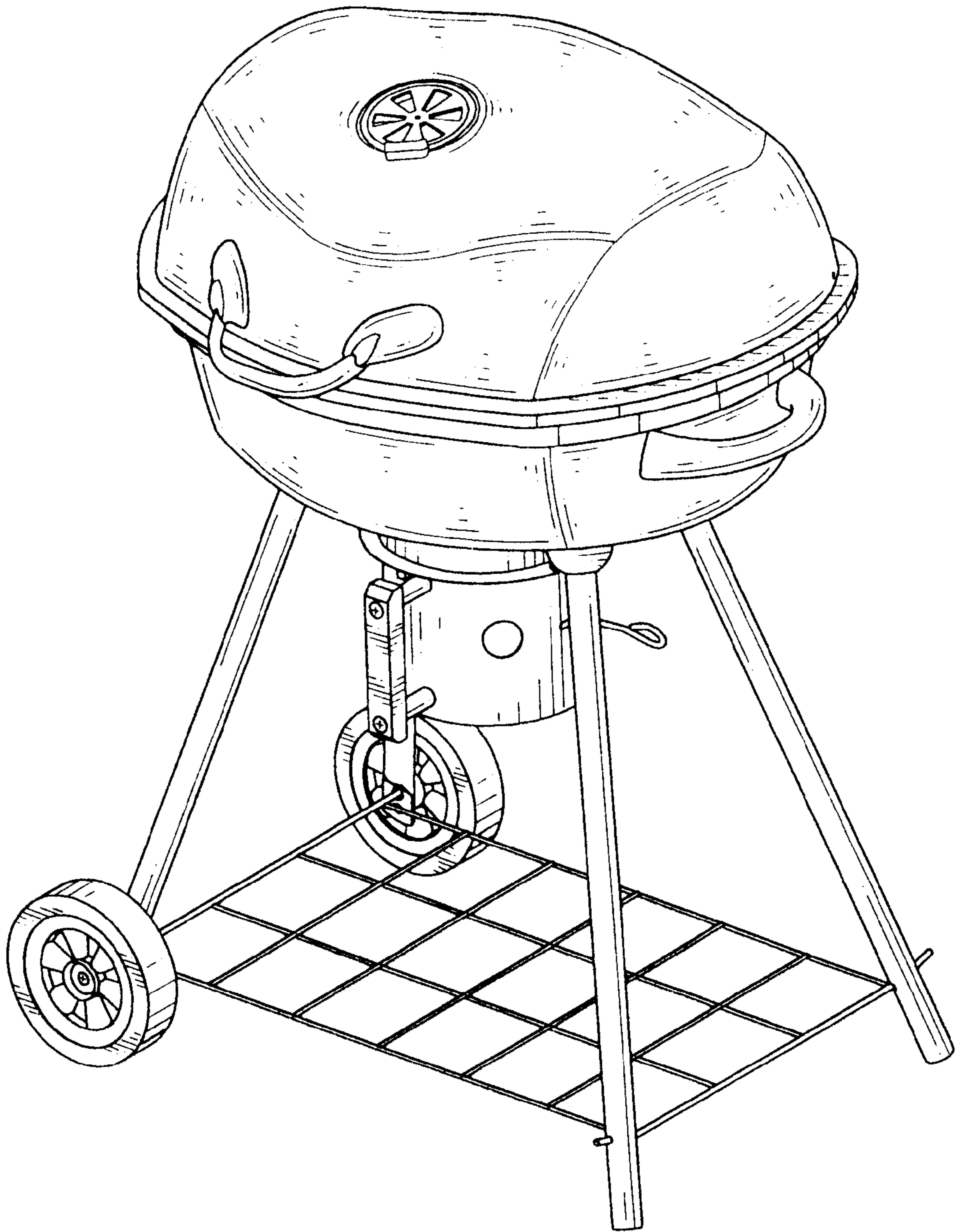


FIG.1

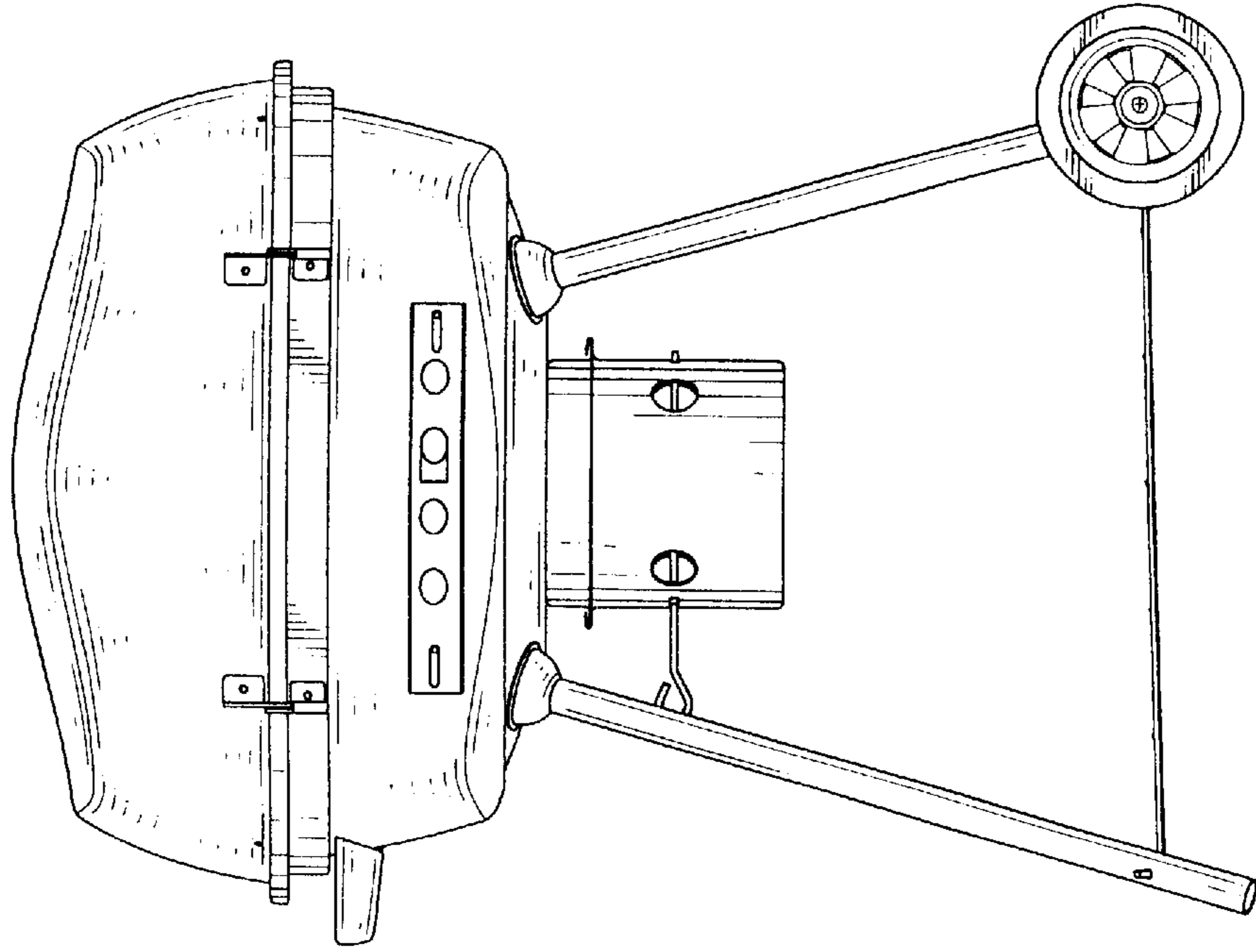


FIG. 3

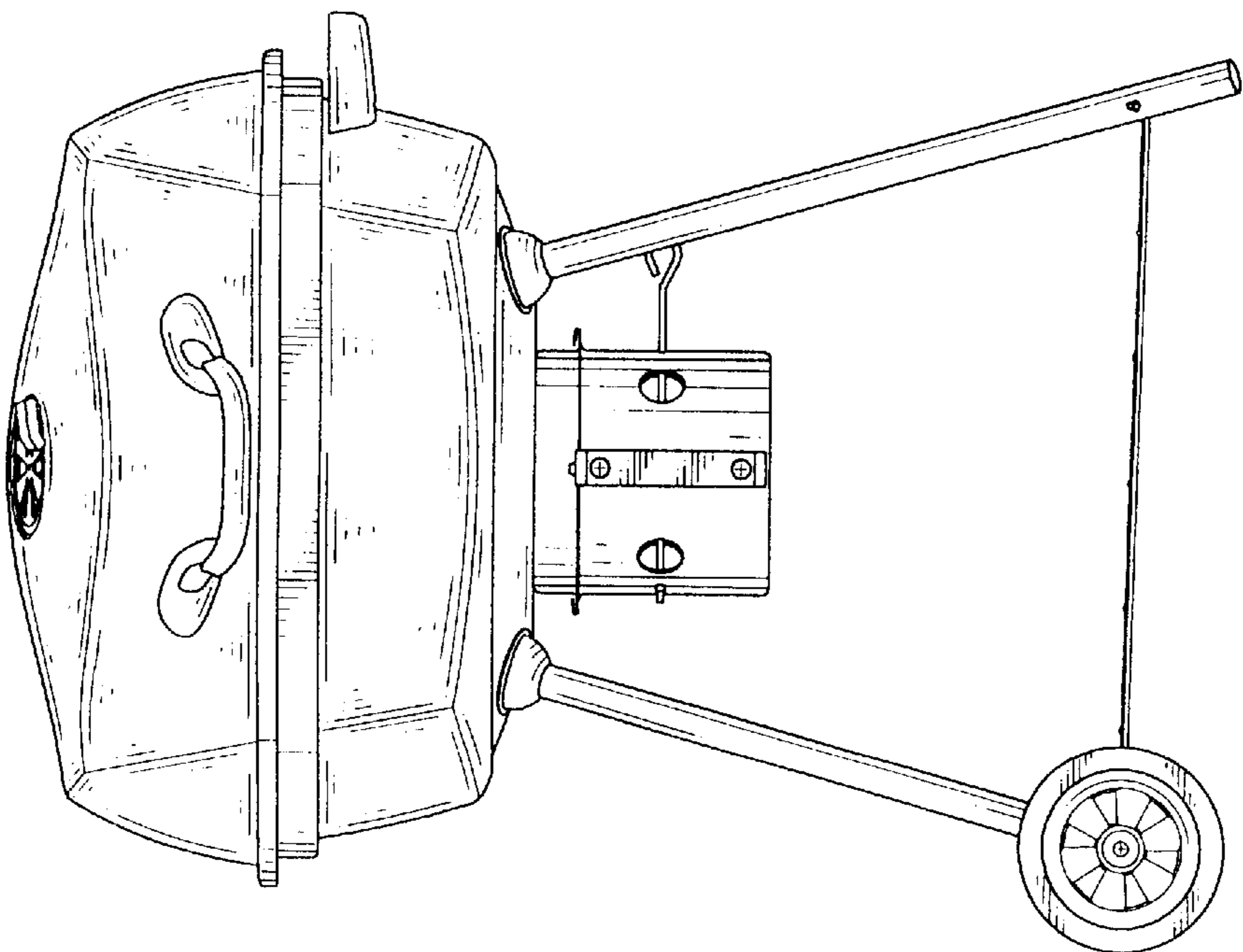


FIG. 2

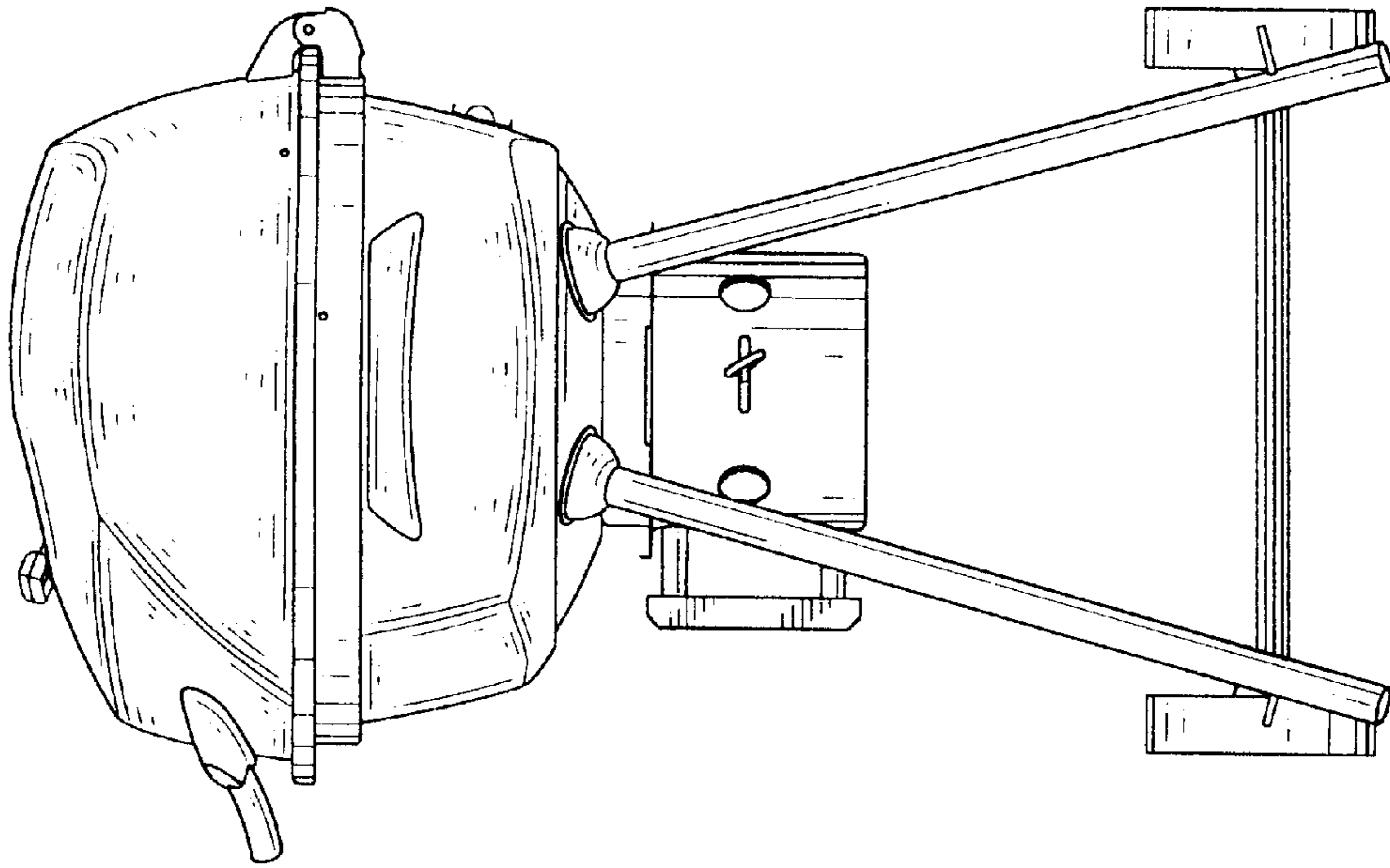


FIG. 5

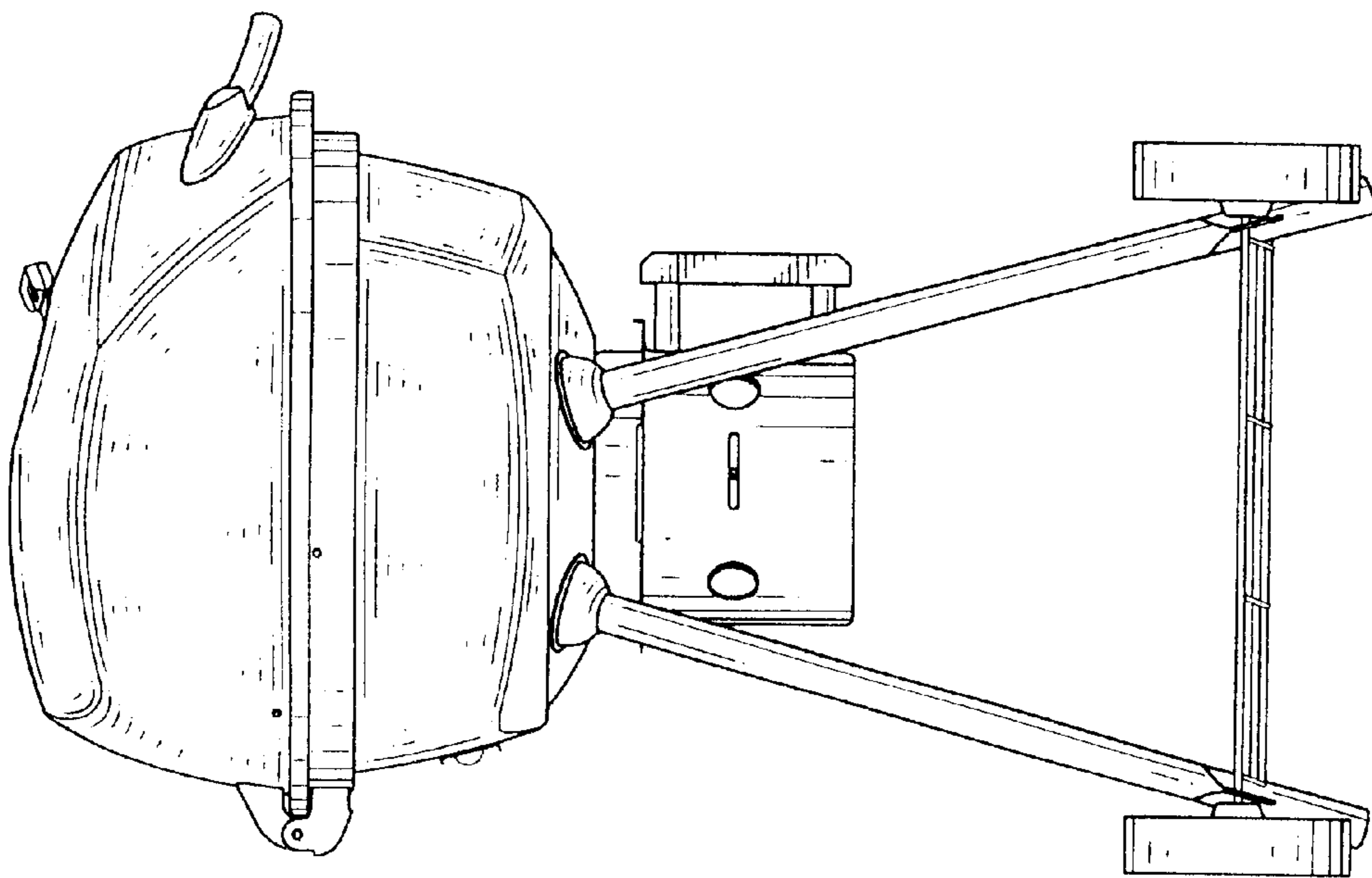


FIG. 4

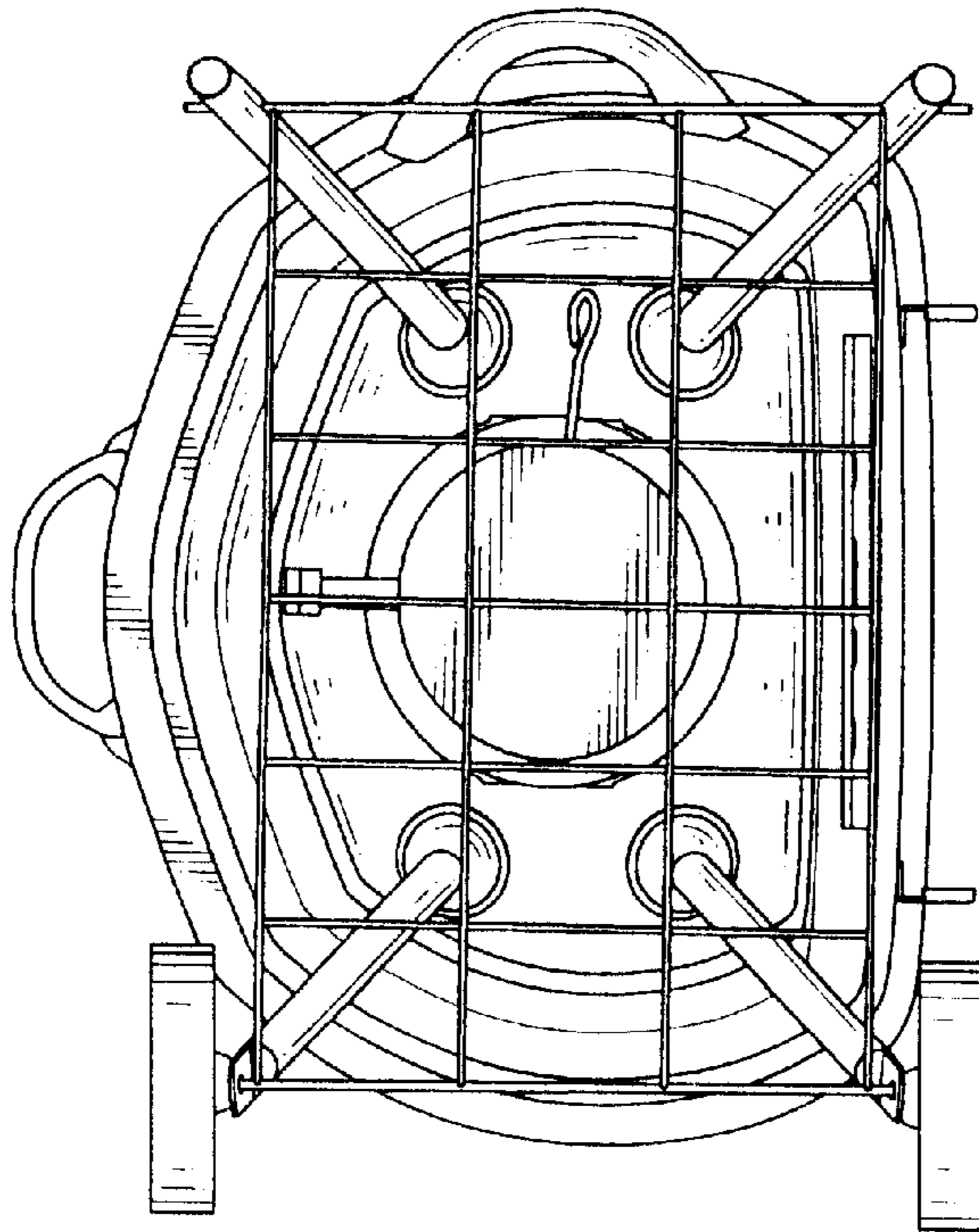


FIG. 7

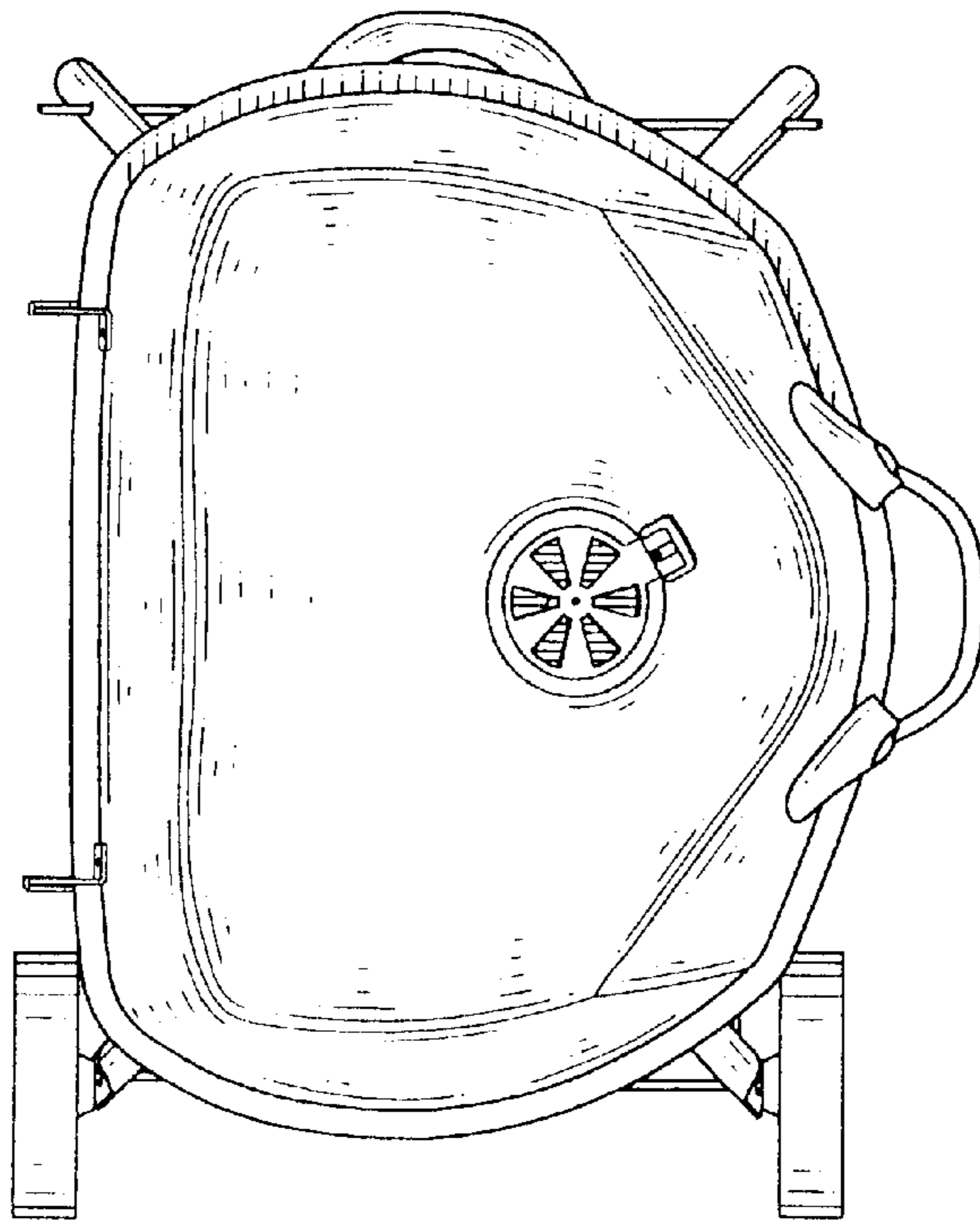


FIG. 6