

US00D464522S

(12) **United States Design Patent**
O'Connor et al.

(10) **Patent No.: US D464,522 S**

(45) **Date of Patent: ** *Oct. 22, 2002**

(54) **PERCOLATOR**

(75) Inventors: **Joseph O'Connor**, London (GB);
Sebastian Conran, London (GB)

(73) Assignee: **William Levene Limited** (GB)

(*) Notice: This patent is subject to a terminal disclaimer.

(**) Term: **14 Years**

(21) Appl. No.: **29/109,429**

(22) Filed: **Aug. 13, 1999**

(30) **Foreign Application Priority Data**

Feb. 15, 1999 (GB) 2081258

(51) **LOC (7) Cl.** **07-01**

(52) **U.S. Cl.** **D7/319; D7/317**

(58) **Field of Search** D7/316, 317, 318,
D7/319, 300, 312; 215/13.1, 395; 222/475,
566, 570, 465.1; 220/756; 99/293, 287,
295, 310

(56) **References Cited**

U.S. PATENT DOCUMENTS

D178,521 S	*	8/1956	Keefe, Jr.	D7/318
3,282,196 A	*	11/1966	Manship et al.	99/310
D221,987 S	*	9/1971	Schugart	D7/319
D227,143 S	*	6/1973	Haynes	D7/319
D236,178 S	*	8/1975	Younge	D7/319
D236,179 S	*	8/1975	Greger	D7/319
3,926,350 A	*	12/1975	Muehlhausen et al.	222/475

D343,333 S	*	1/1994	Jorgensen	D7/317
D376,065 S	*	12/1996	Ito et al.	D7/319
D377,132 S	*	1/1997	Jørgensen	D7/318
D378,261 S	*	3/1997	Jørgensen	D7/319
D386,040 S	*	11/1997	Joergensen	D7/317
D388,275 S	*	12/1997	Joergensen	D7/319
D405,641 S	*	2/1999	Brady	D7/319
D406,003 S	*	2/1999	Tanner et al.	D7/319
D415,648 S	*	10/1999	Joergensen	D7/317
D415,922 S	*	11/1999	Kawasaki et al.	D7/317
D419,027 S	*	1/2000	Haslem et al.	D7/319
D427,478 S	*	7/2000	Littmann et al.	D7/318

* cited by examiner

Primary Examiner—M. N. Pandozzi

(74) *Attorney, Agent, or Firm*—Ohlandt, Greeley, Ruggiero & Perle, L.L.P.

(57) **CLAIM**

The ornamental design for a percolator, as shown and described.

DESCRIPTION

FIG. 1 is a top front side perspective view of a percolator showing my new design;
FIG. 2 is a top rear side perspective view thereof;
FIG. 3 is a front elevational view thereof;
FIG. 4 is a rear elevational view thereof;
FIG. 5 is a top plan view thereof;
FIG. 6 is a bottom plan view thereof; and,
FIG. 7 is a side elevational view, the opposite side is mirror image thereof.

1 Claim, 4 Drawing Sheets

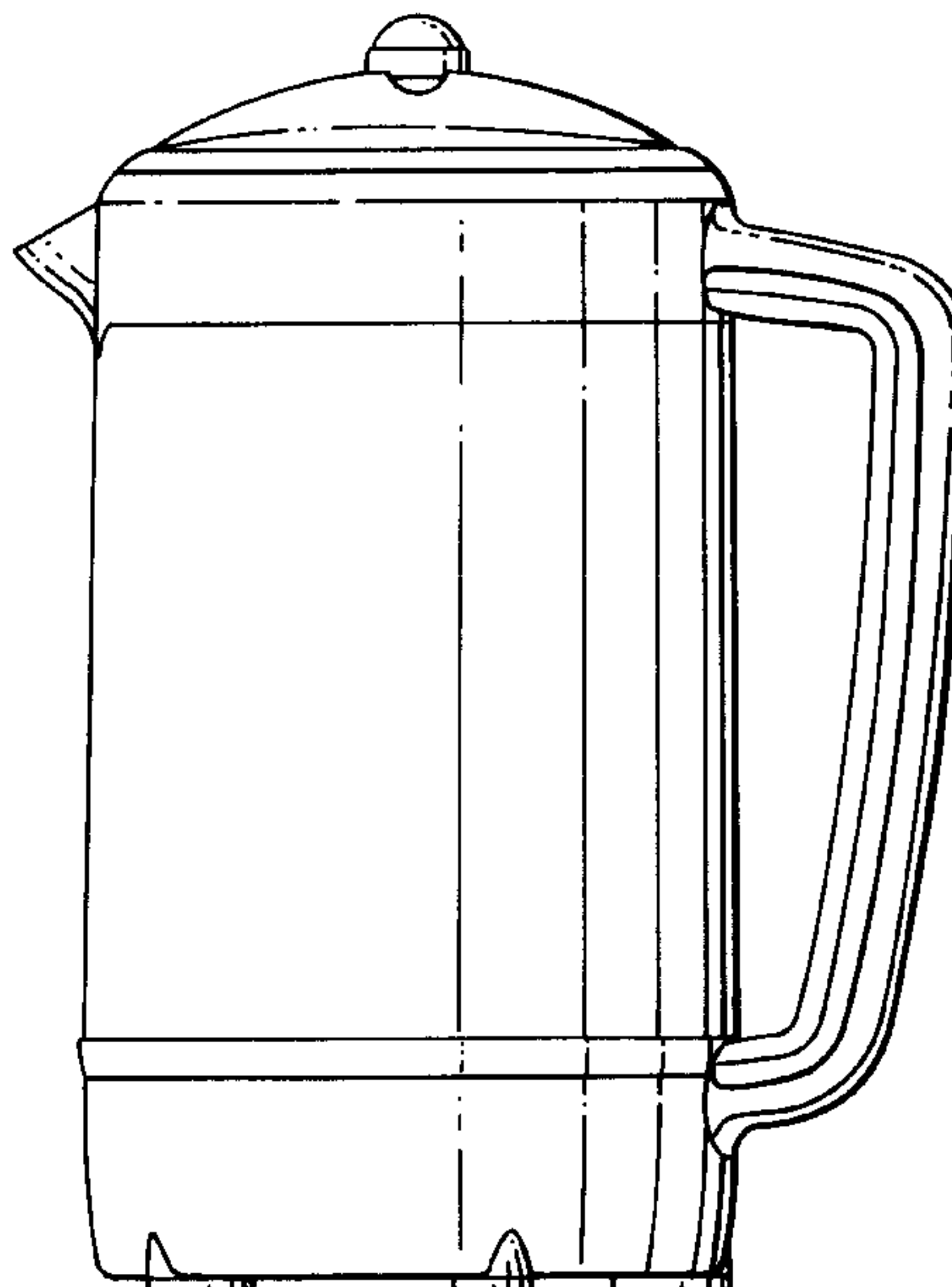
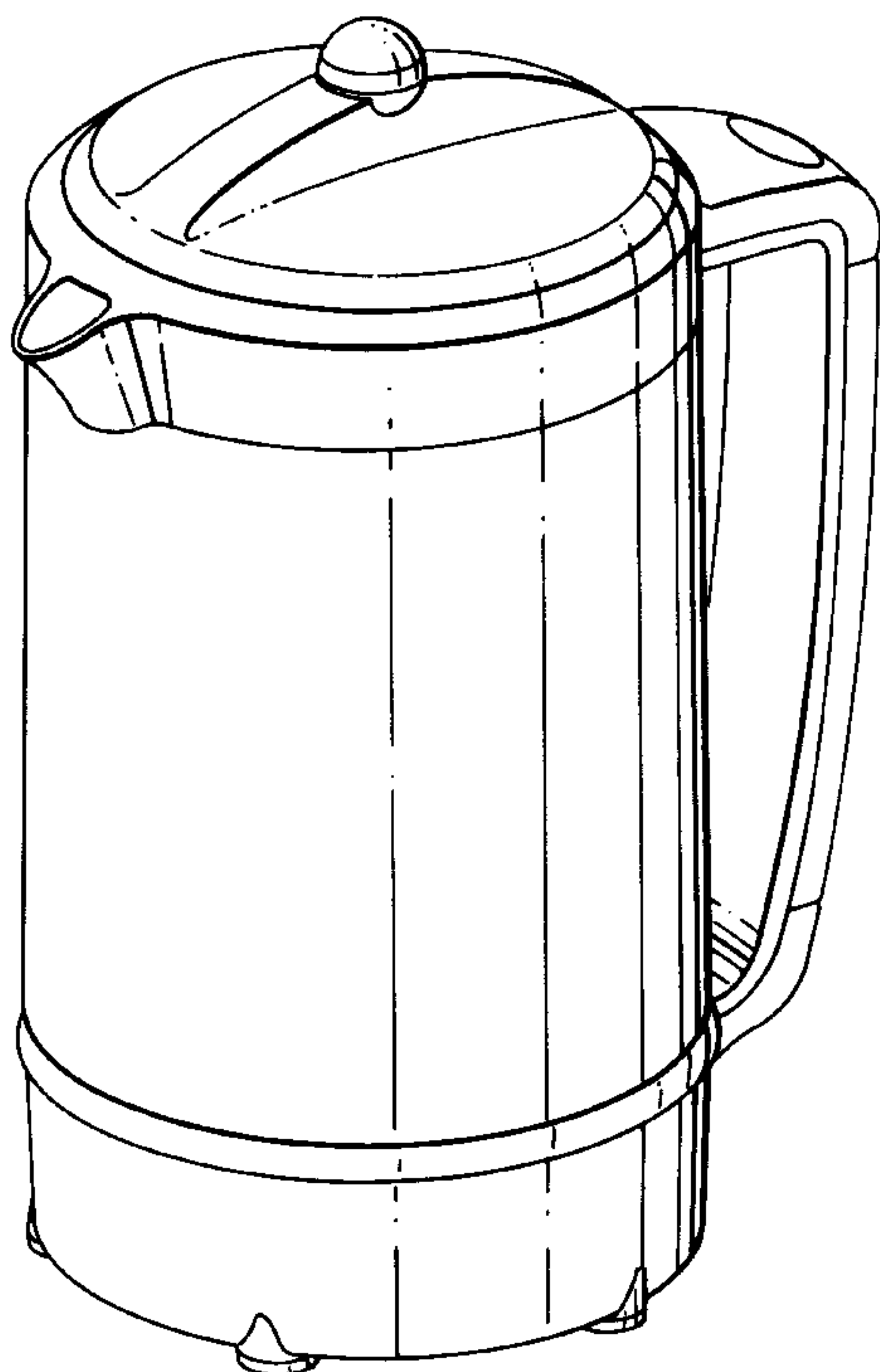


FIG. 2

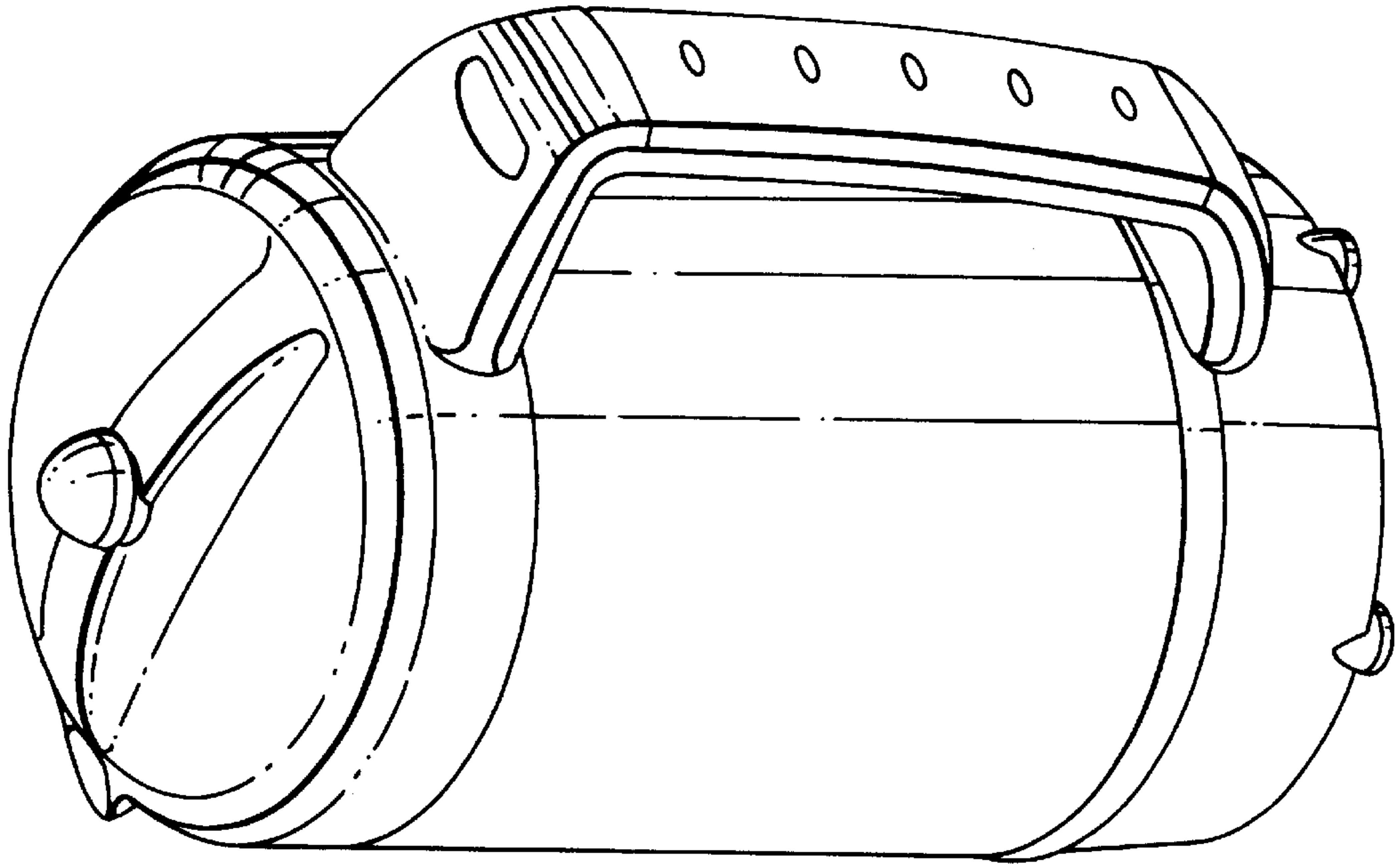


FIG. 1

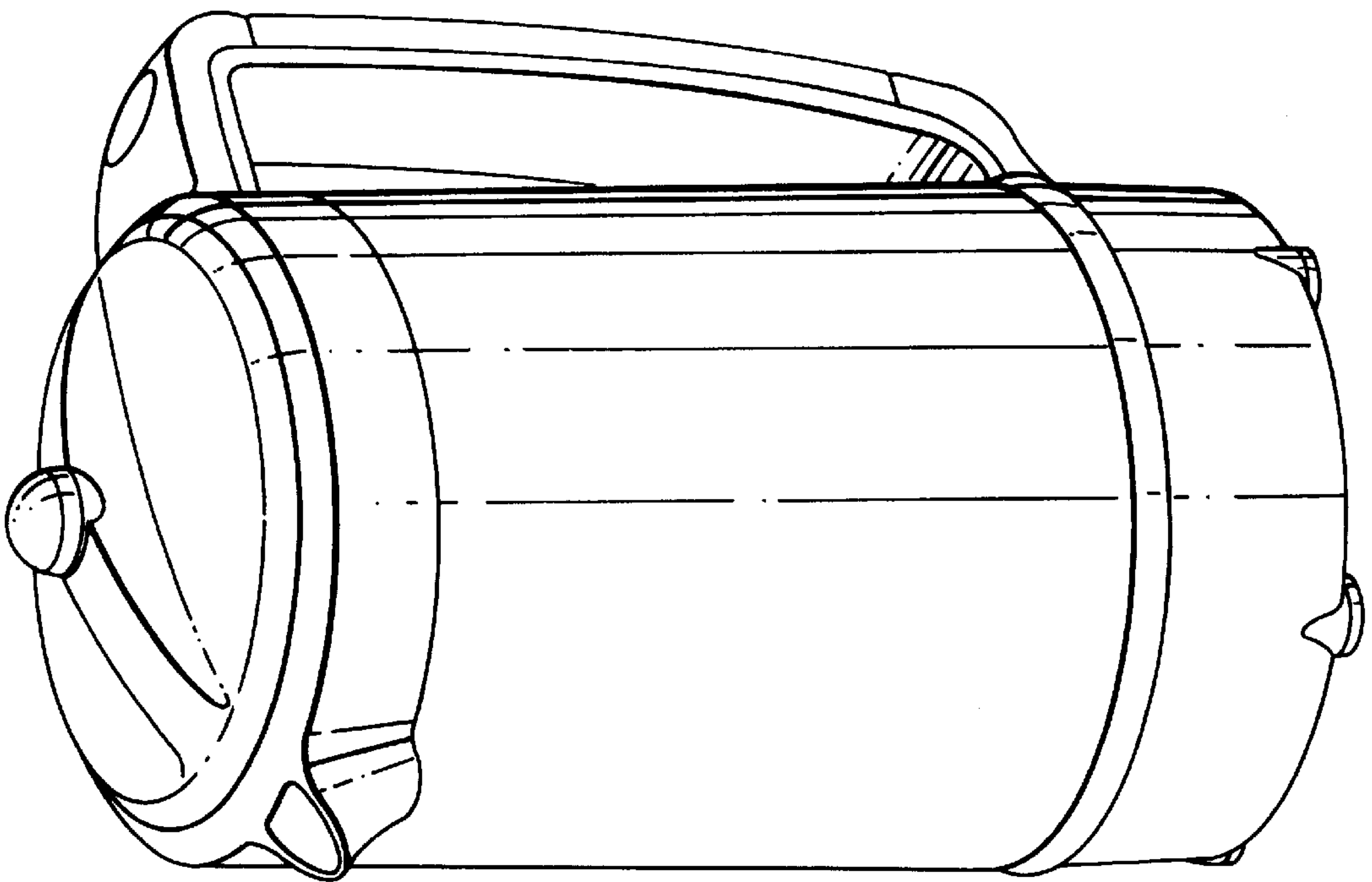


FIG. 4

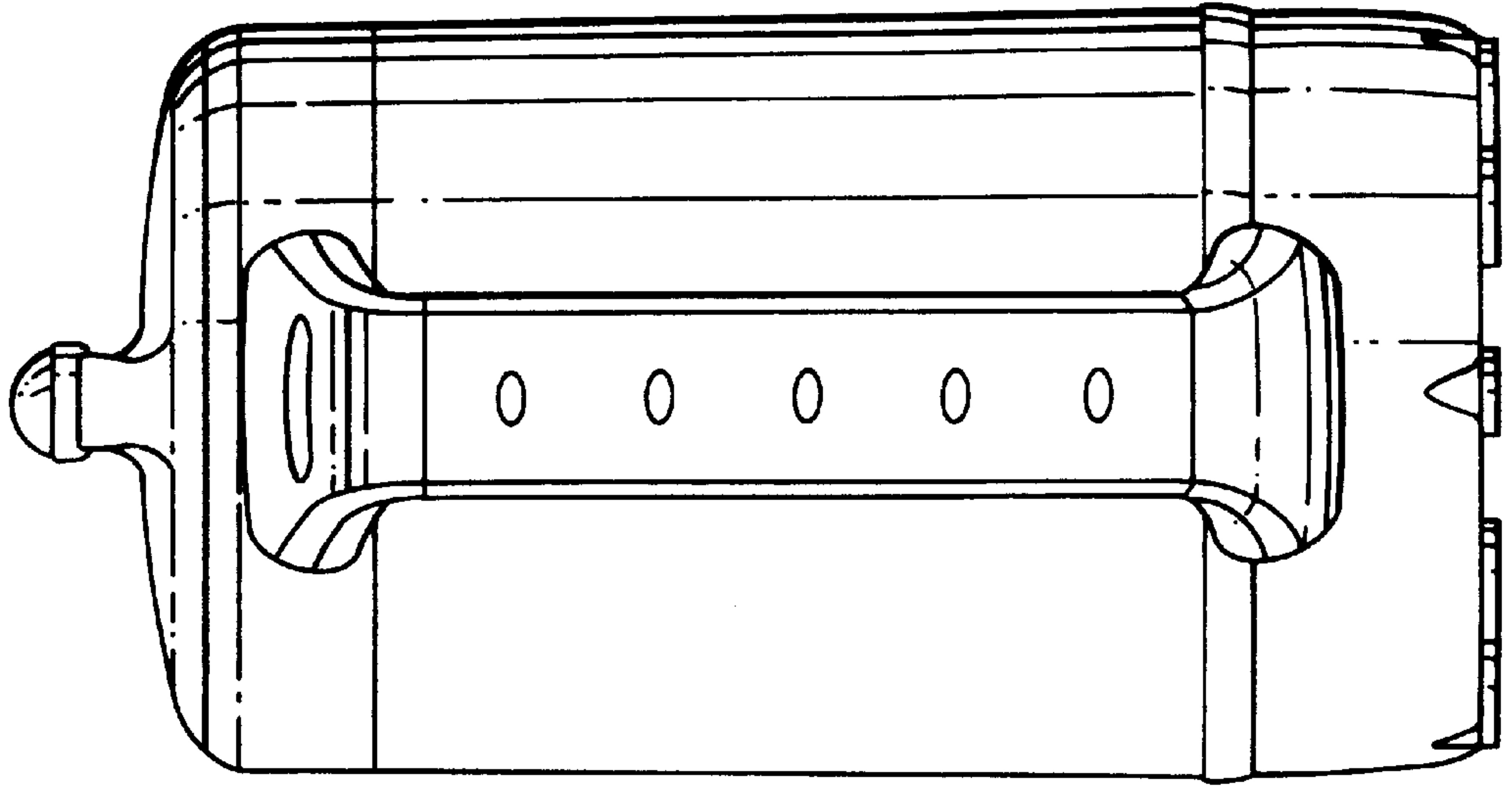


FIG. 3

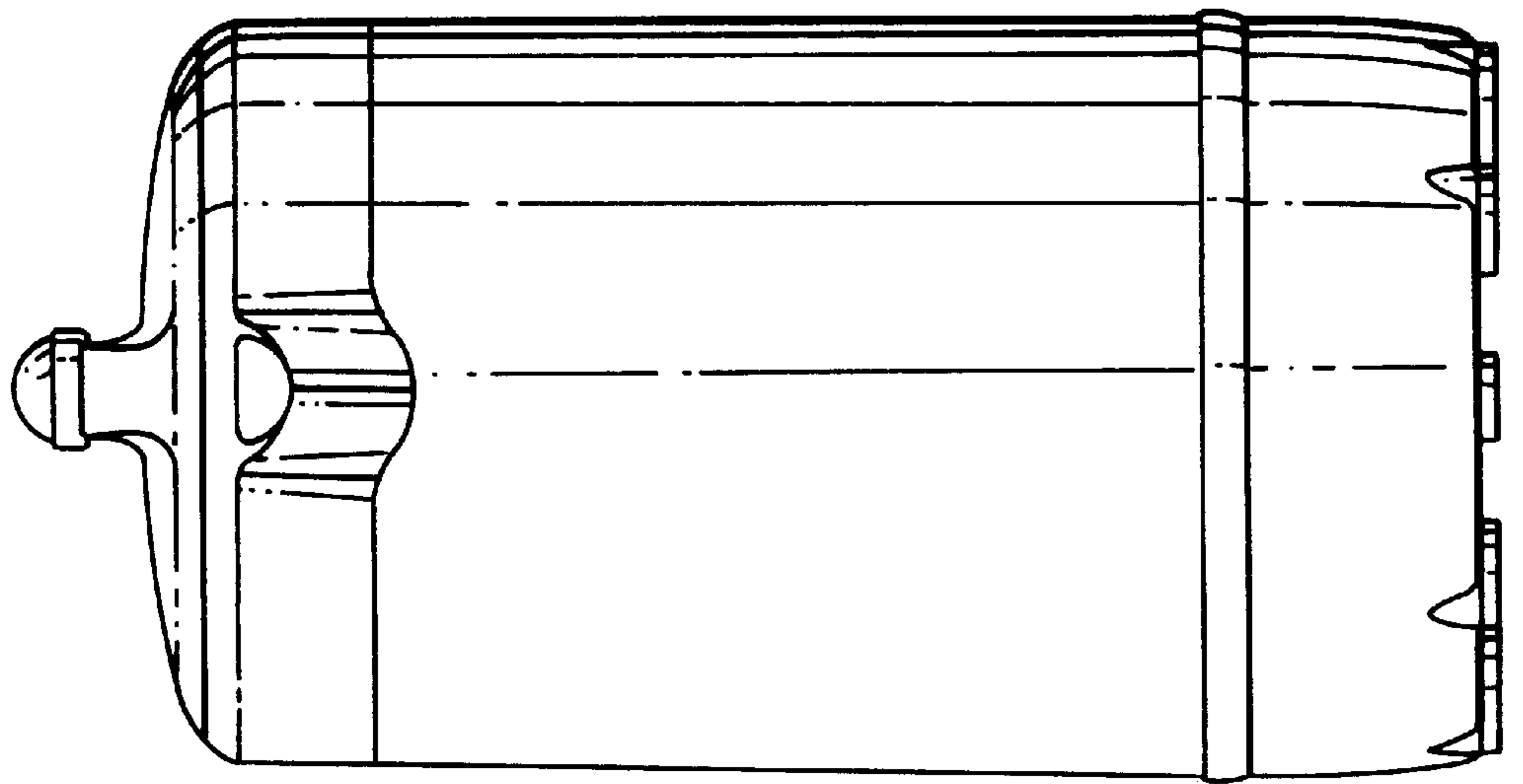


FIG. 5

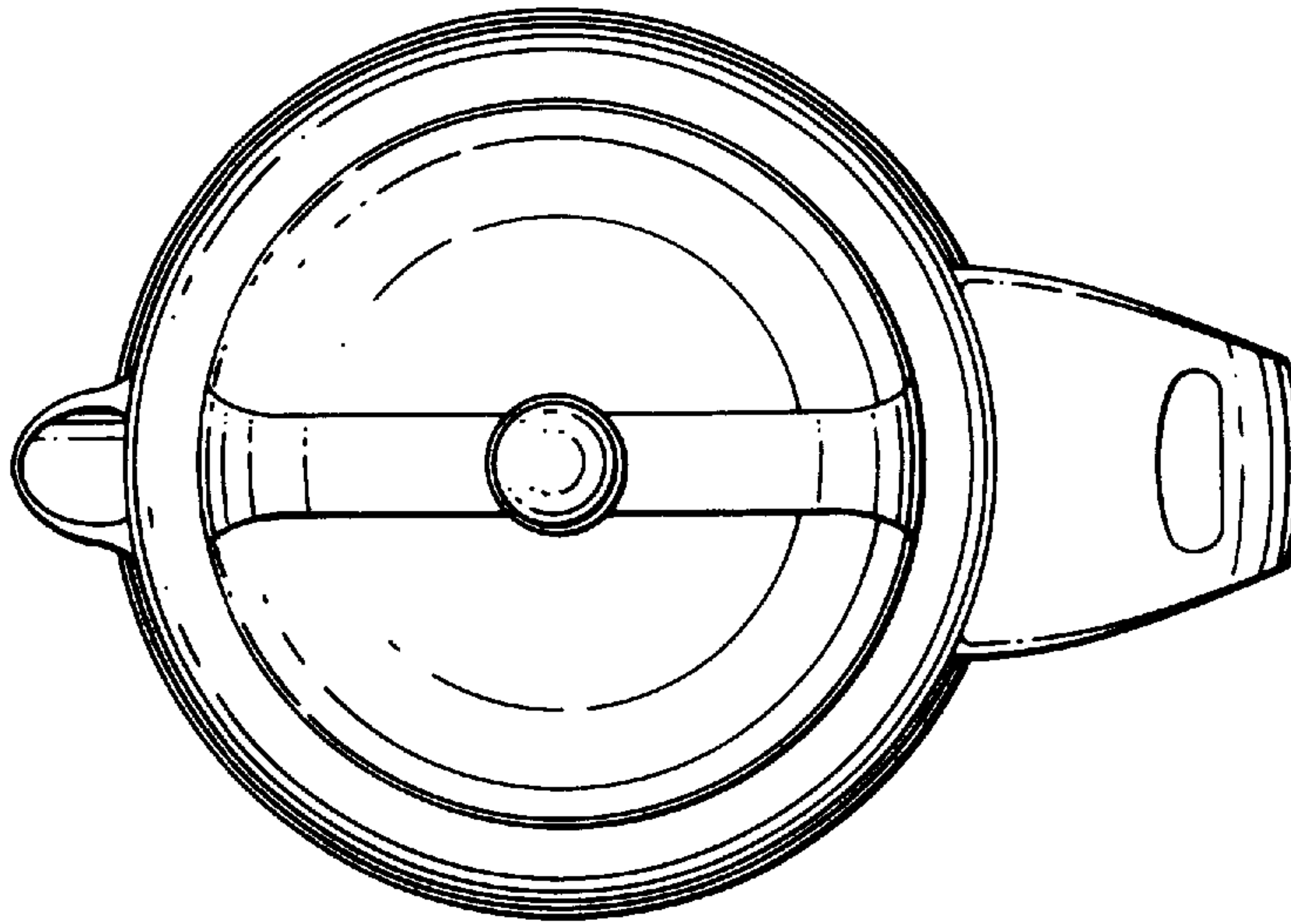


FIG. 6

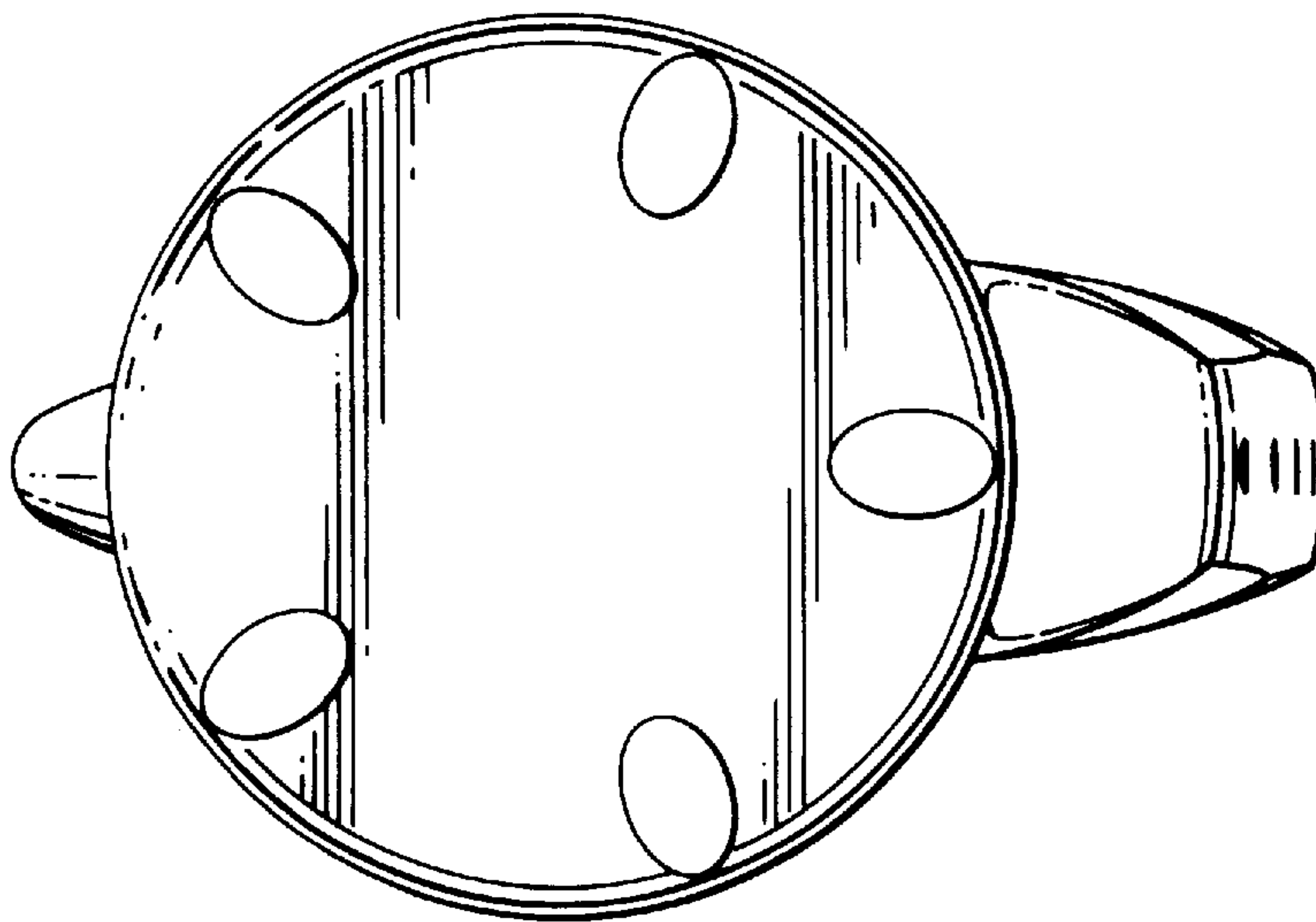


FIG. 7

