



US00D464516S

(12) **United States Design Patent**  
**Snell**

(10) **Patent No.:** **US D464,516 S**

(45) **Date of Patent:** **\*\* Oct. 22, 2002**

(54) **WIRE BASKET WITH SUCTION CUPS**

(75) Inventor: **Russell Benton Snell**, Bentleyville, OH (US)

(73) Assignee: **InterDesign, Inc.**, Solon, OH (US)

(\*\*) Term: **14 Years**

(21) Appl. No.: **29/154,317**

(22) Filed: **Jan. 22, 2002**

(51) **LOC (7) Cl.** ..... **06-04**

(52) **U.S. Cl.** ..... **D6/566; D6/525**

(58) **Field of Search** ..... D6/566, 524, 525, D6/567; 206/77.1, 207, 557; 211/10, 13.1, 71.01, 86.01, 87.01, 90.03, 126.1, 181.1

(56) **References Cited**

**U.S. PATENT DOCUMENTS**

D322,002 S	*	12/1991	Emery	.....	D6/566
D396,770 S	*	8/1998	Hoernig	.....	D6/566
D412,080 S	*	7/1999	Emery et al.	.....	D6/566 X
D444,012 S	*	6/2001	Ferrer Beltran	.....	D6/566 X
D450,213 S	*	11/2001	Snell	.....	D6/566

\* cited by examiner

*Primary Examiner*—Brian N. Vinson  
(74) *Attorney, Agent, or Firm*—D. Peter Hochberg; Katherine R. Vieyra; Sean Mellino

(57) **CLAIM**

The ornamental design for a wire basket with suction cups, as shown and described.

**DESCRIPTION**

FIG. 1 is a perspective view of the wire basket with suction cups according to the invention;  
FIG. 2 is a top view of the wire basket with suction cups as shown in FIG. 1;  
FIG. 3 is a front view of the wire basket with suction cups as shown in FIG. 1;  
FIG. 4 is a side view of the wire basket with suction cups as shown in FIG. 1;  
FIG. 5 is a rear view of the wire basket with suction cups as shown in FIG. 1;  
FIG. 6 is a side view of the wire basket with suction cups as shown in FIG. 1, viewed from the opposite side as that shown in FIG. 4; and,  
FIG. 7 is a bottom view of the wire basket with suction cups as shown in FIG. 1.

**1 Claim, 3 Drawing Sheets**

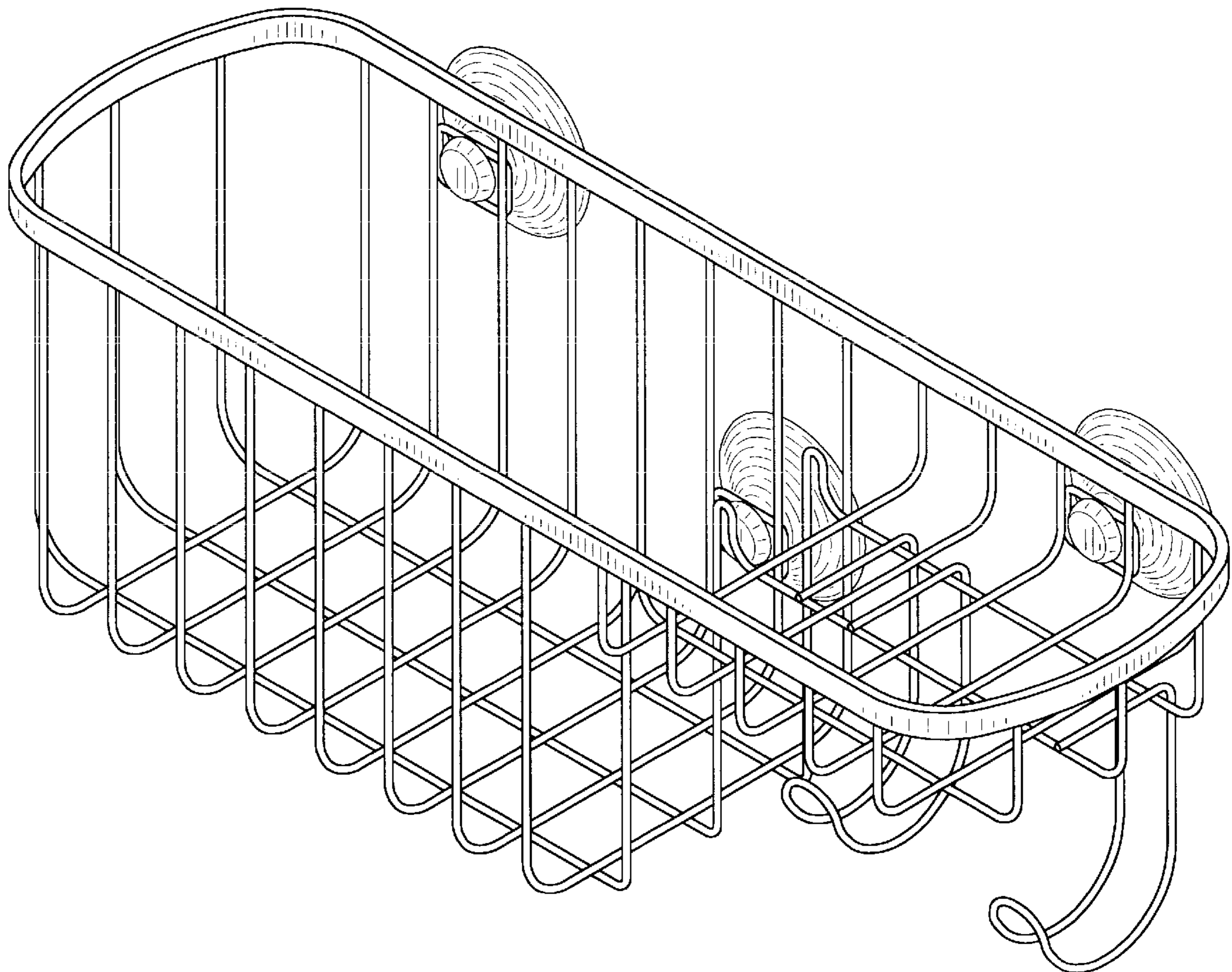
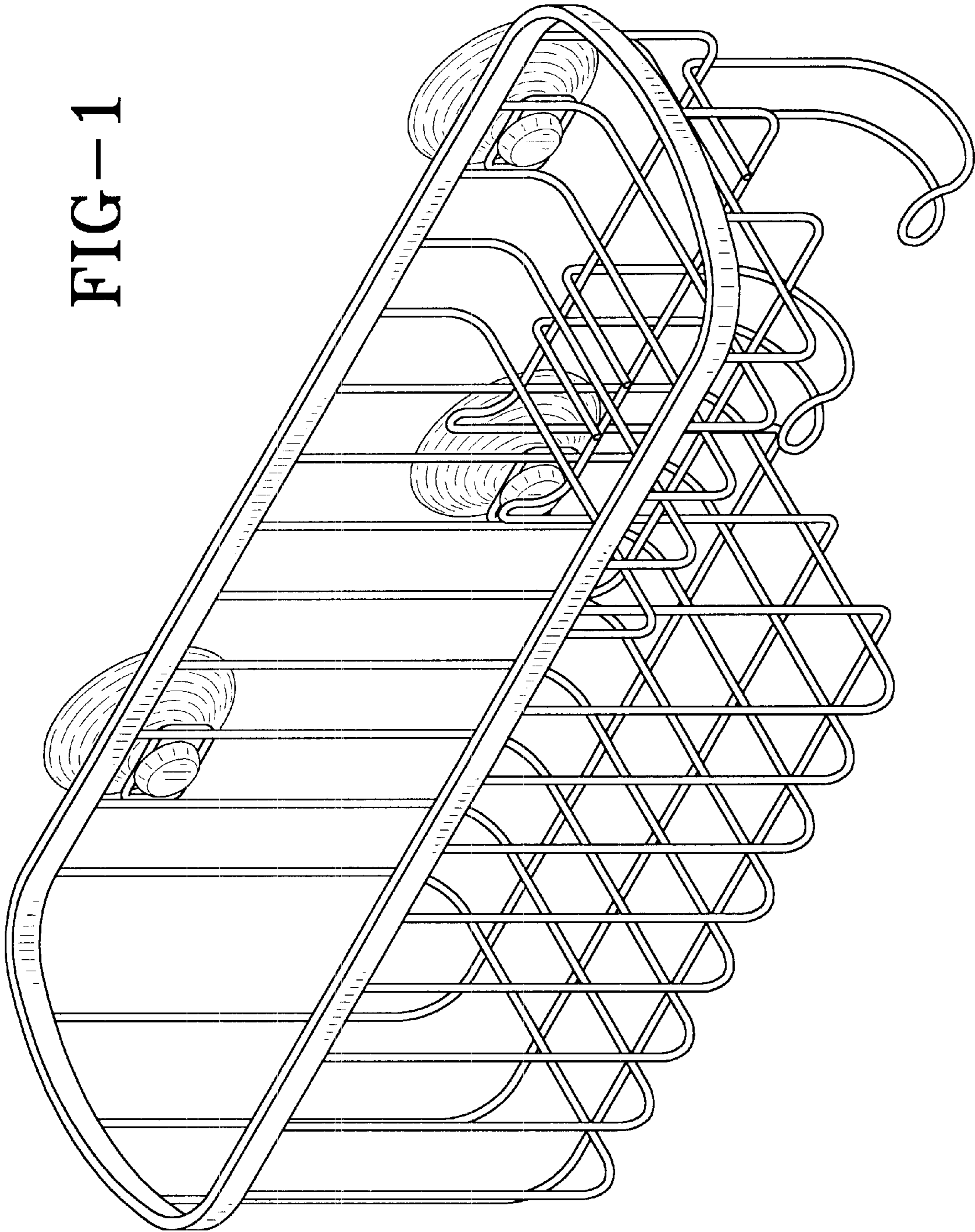


FIG-1



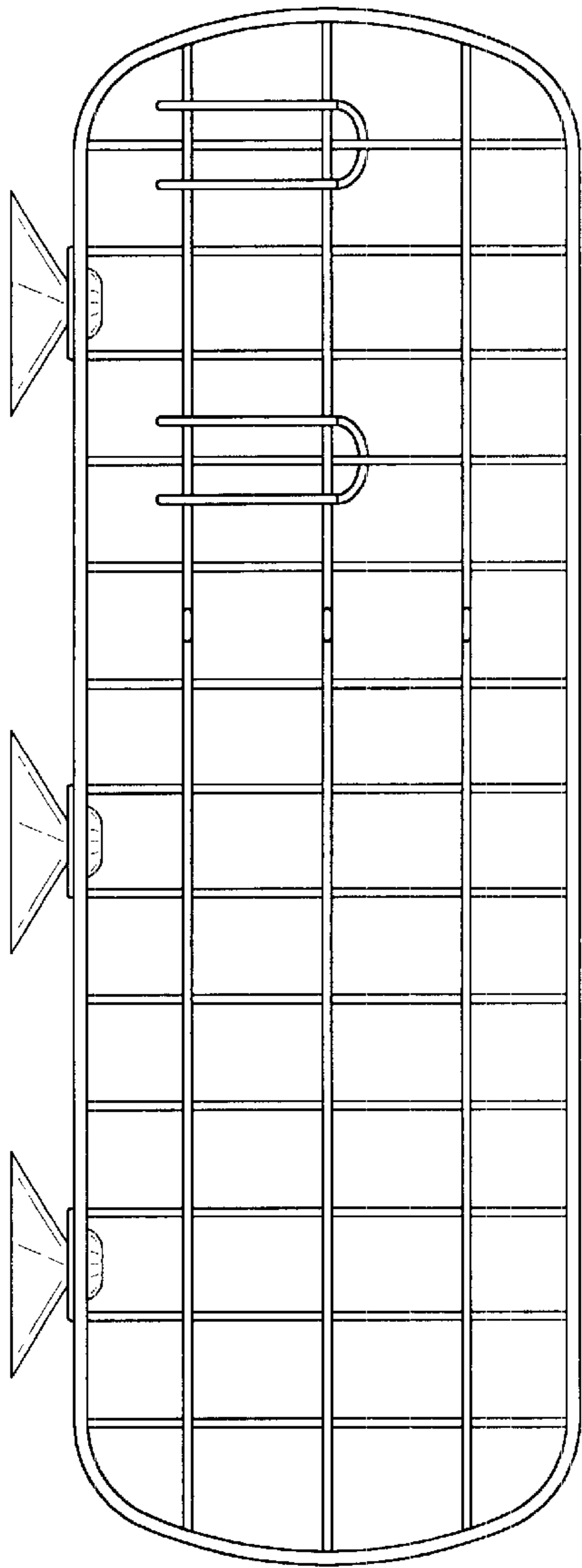


FIG-2

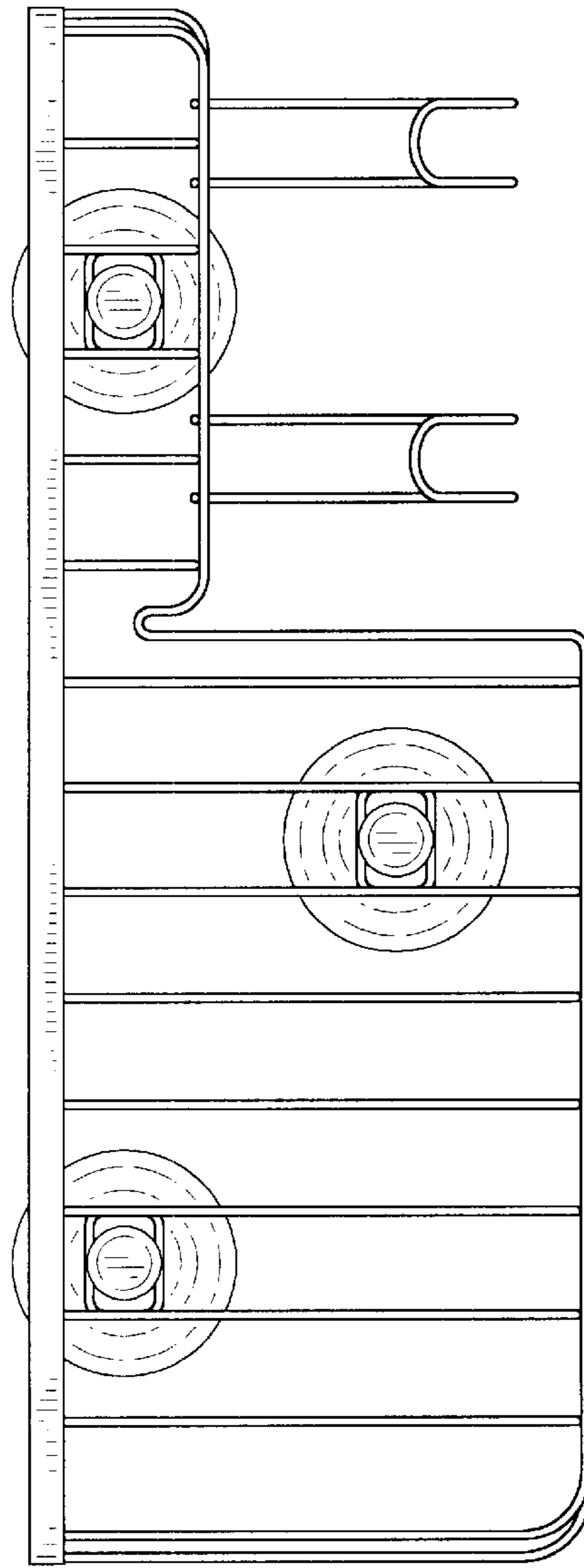


FIG-3

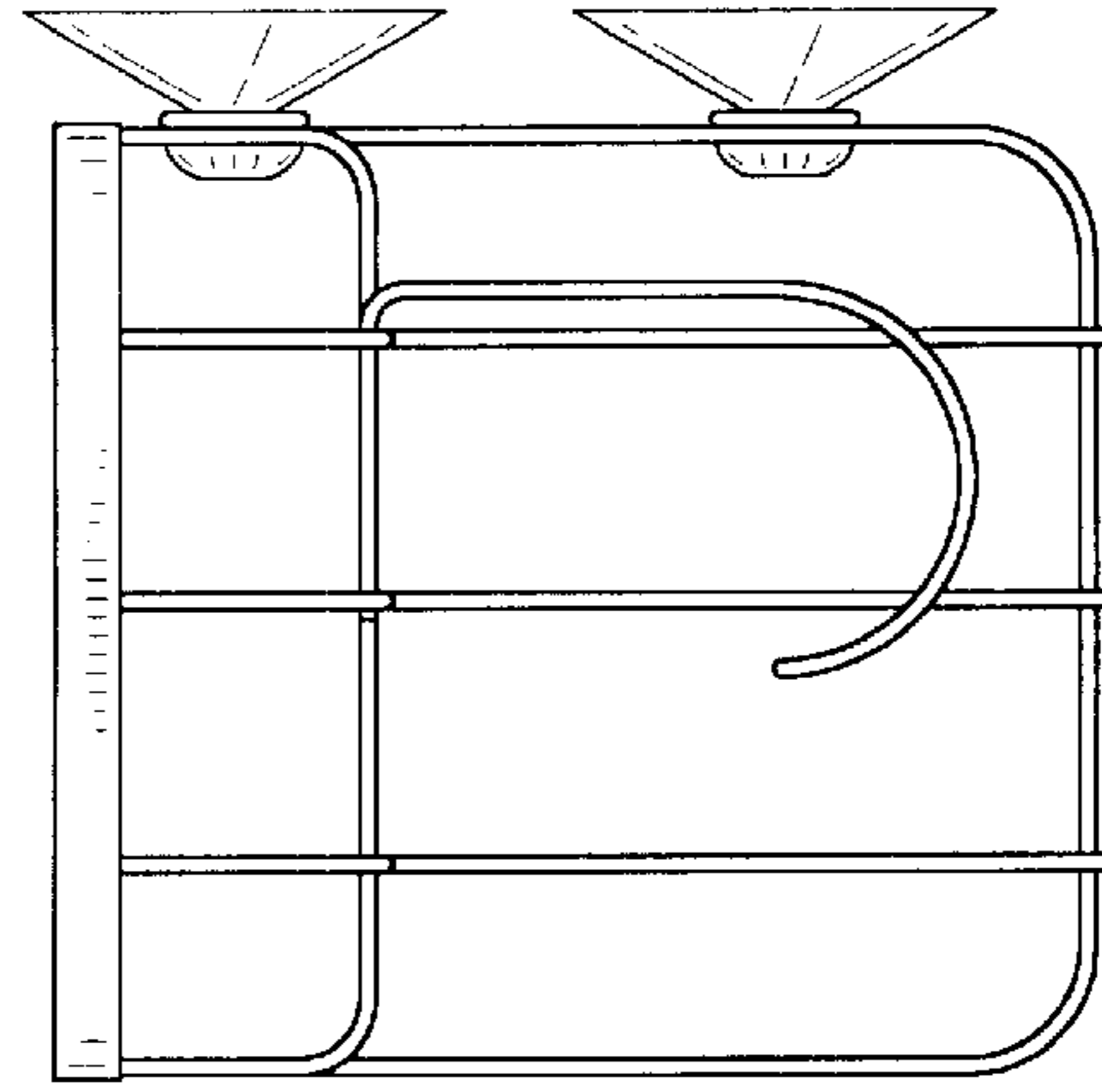


FIG-4

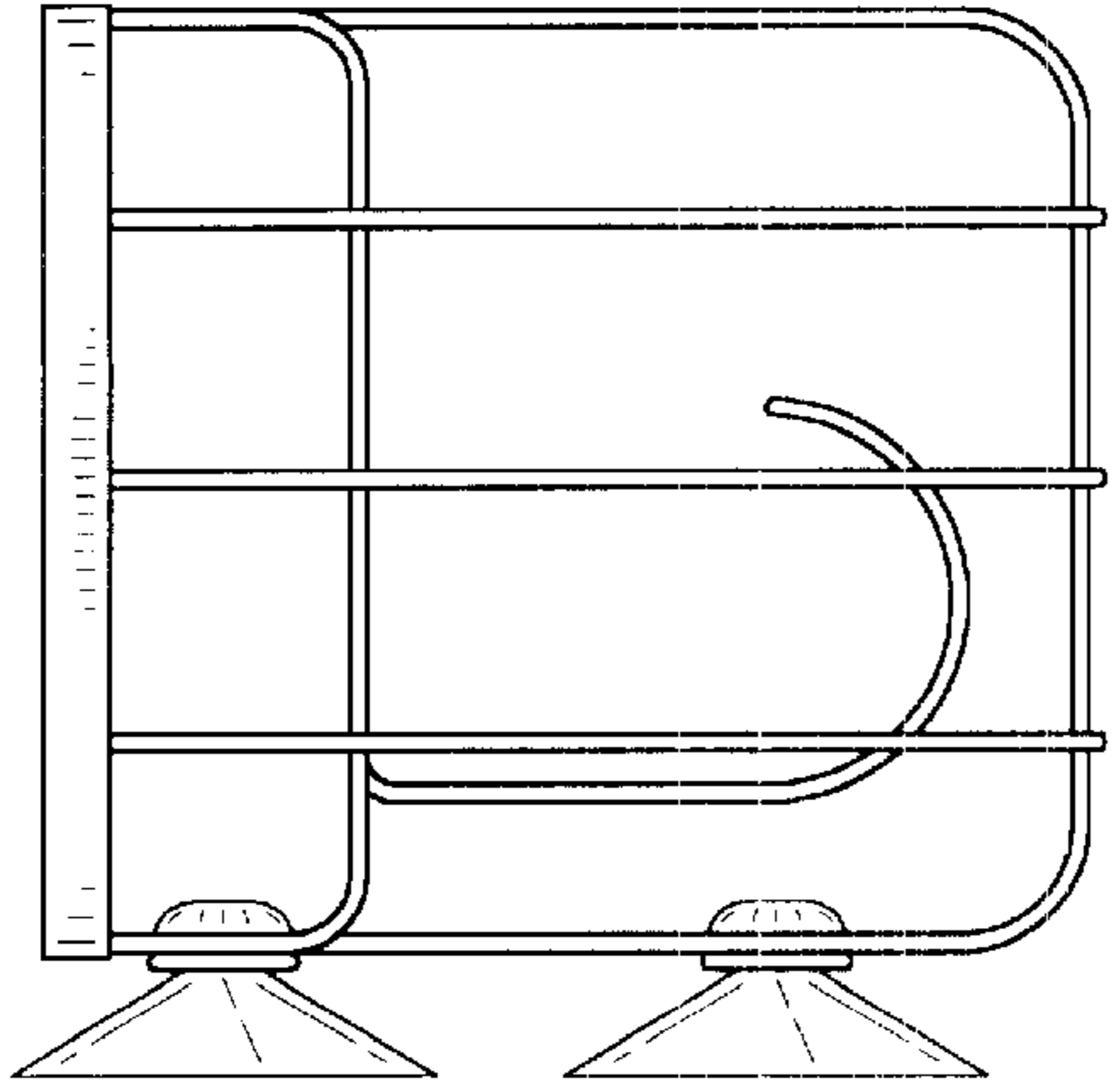


FIG-6

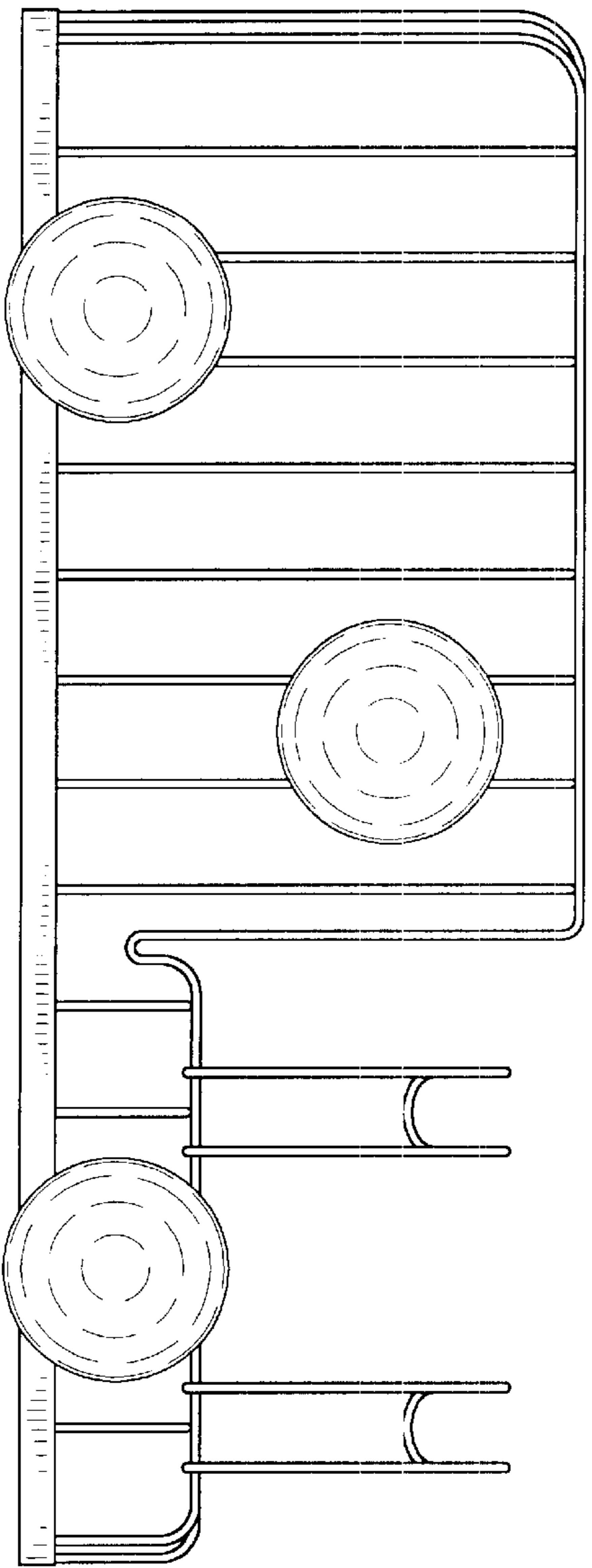


FIG-5

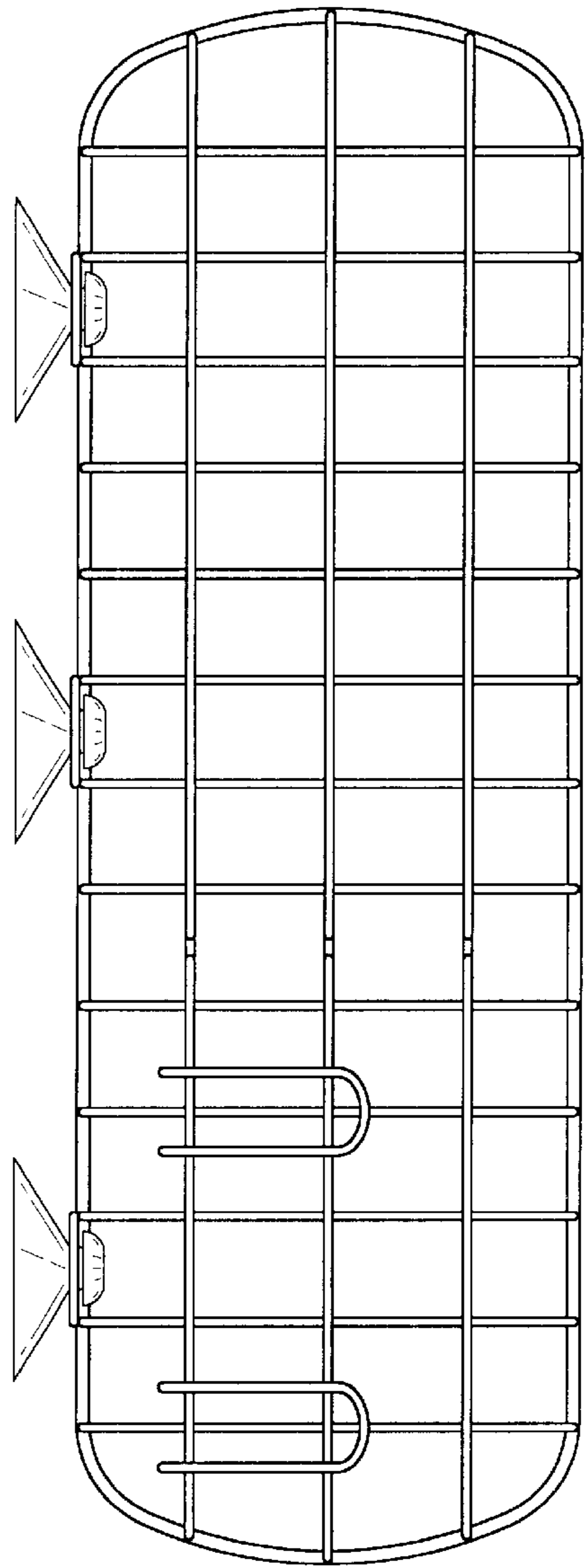


FIG-7