



US00D464513S

(12) **United States Design Patent**
Ong

(10) **Patent No.:** **US D464,513 S**

(45) **Date of Patent:** **** Oct. 22, 2002**

(54) **SQUARE TISSUE BOX COVER**

(76) Inventor: **Bon S. Ong**, Box 4247, Torrance, CA
(US) 90510

(**) Term: **14 Years**

(21) Appl. No.: **29/151,590**

(22) Filed: **Dec. 10, 2001**

(51) **LOC (7) Cl.** **20-02**

(52) **U.S. Cl.** **D6/518**

(58) **Field of Search** D6/515-523; 312/34.1,
312/34.4; 206/812, 804; 221/22, 33, 45,
286; 211/13.1, 48, 45

(56) **References Cited**

U.S. PATENT DOCUMENTS

D208,206 S	*	8/1967	Helgeson	D6/522
D371,708 S	*	7/1996	Haley et al.	D6/518
D372,386 S		8/1996	Kuchenbecker	D6/518
D390,391 S	*	2/1998	Hsu	D6/518
D403,189 S	*	12/1998	Isacson	D6/518
D436,273 S	*	1/2001	Lange	D6/519

* cited by examiner

Primary Examiner—Brian N. Vinson

(74) *Attorney, Agent, or Firm*—Charles H. Thomas

(57) **CLAIM**

I claim the ornamental design for the article square tissue box cover, as shown and described.

DESCRIPTION

FIG. 1 is a perspective view of one embodiment of a square tissue box cover illustrating my new design;

FIG. 2 is a top plan view thereof;

FIG. 3 is a bottom plan view thereof;

FIG. 4 is a left-side elevational view thereof, with the undisclosed right-side elevational view being a mirror image of that illustrated;

FIG. 5 is a front elevational view thereof with the undisclosed rear elevational view being identical to that illustrated;

FIG. 6 is a perspective view of an alternative embodiment of a square tissue box cover showing my new design;

FIG. 7 is a perspective view of an another alternative embodiment of a square tissue box cover showing my new design; and,

FIG. 8 is a perspective view of a third alternative embodiment of a square tissue box cover showing my new design.

1 Claim, 6 Drawing Sheets

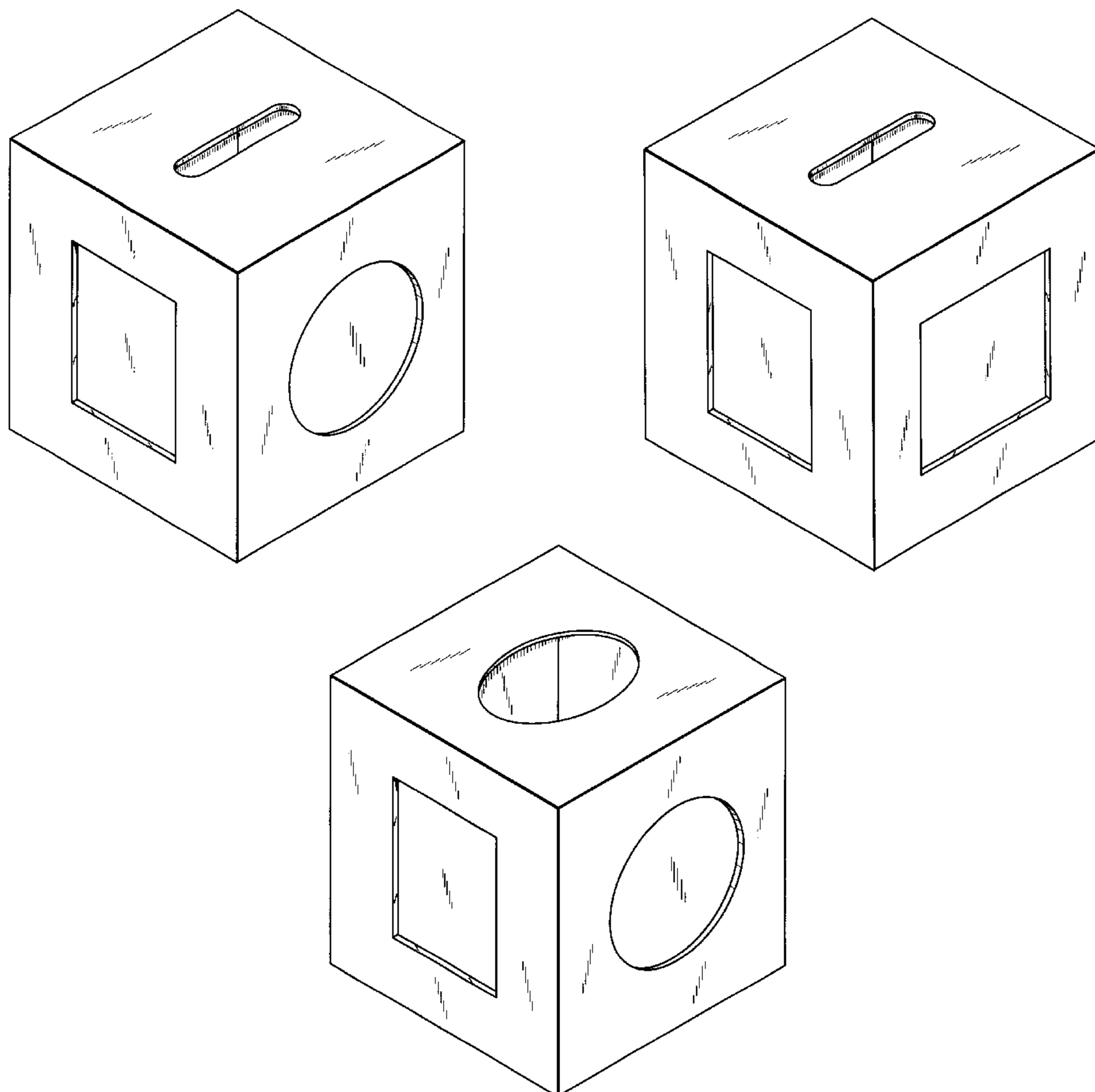


FIG. 1

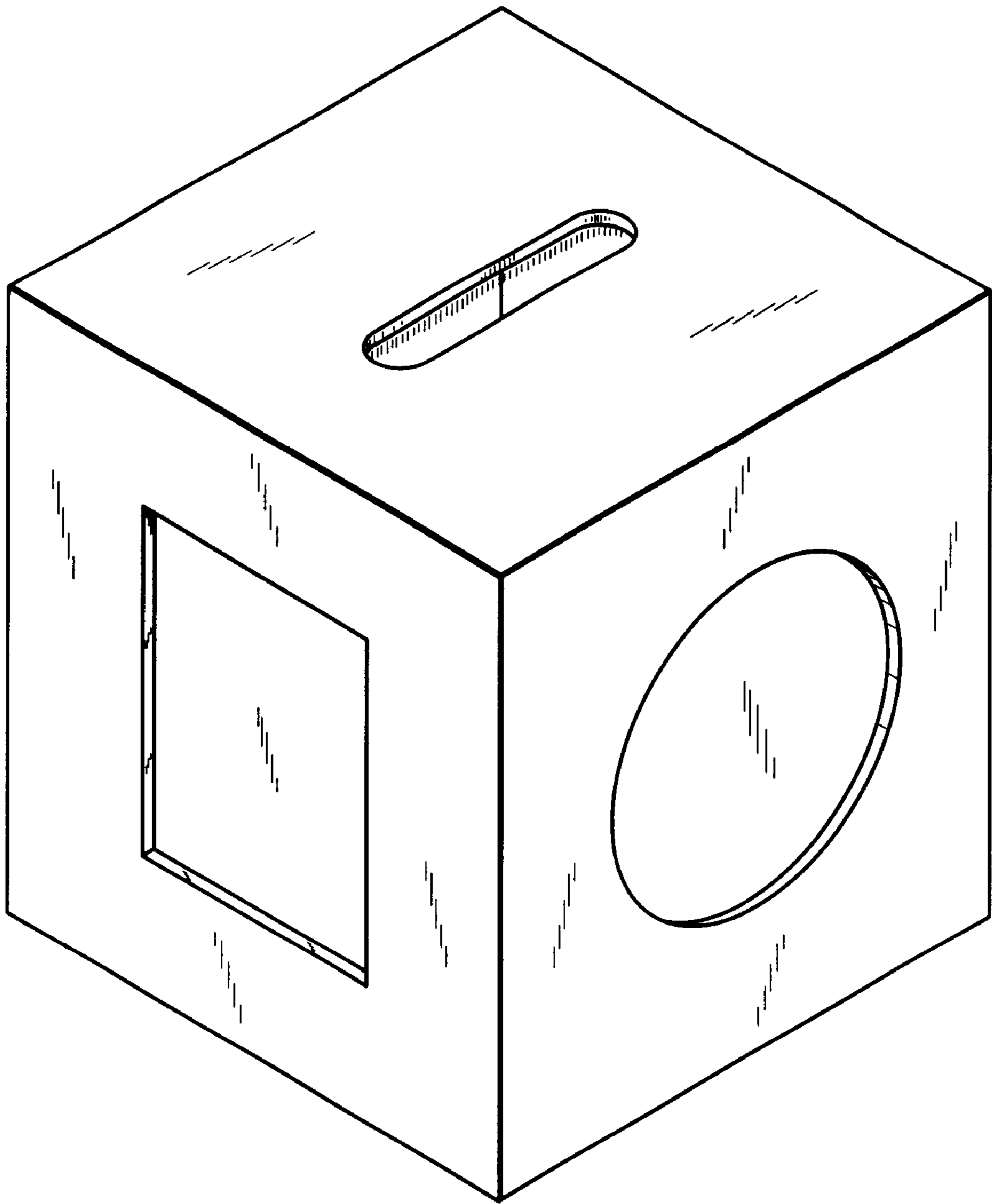


FIG. 2

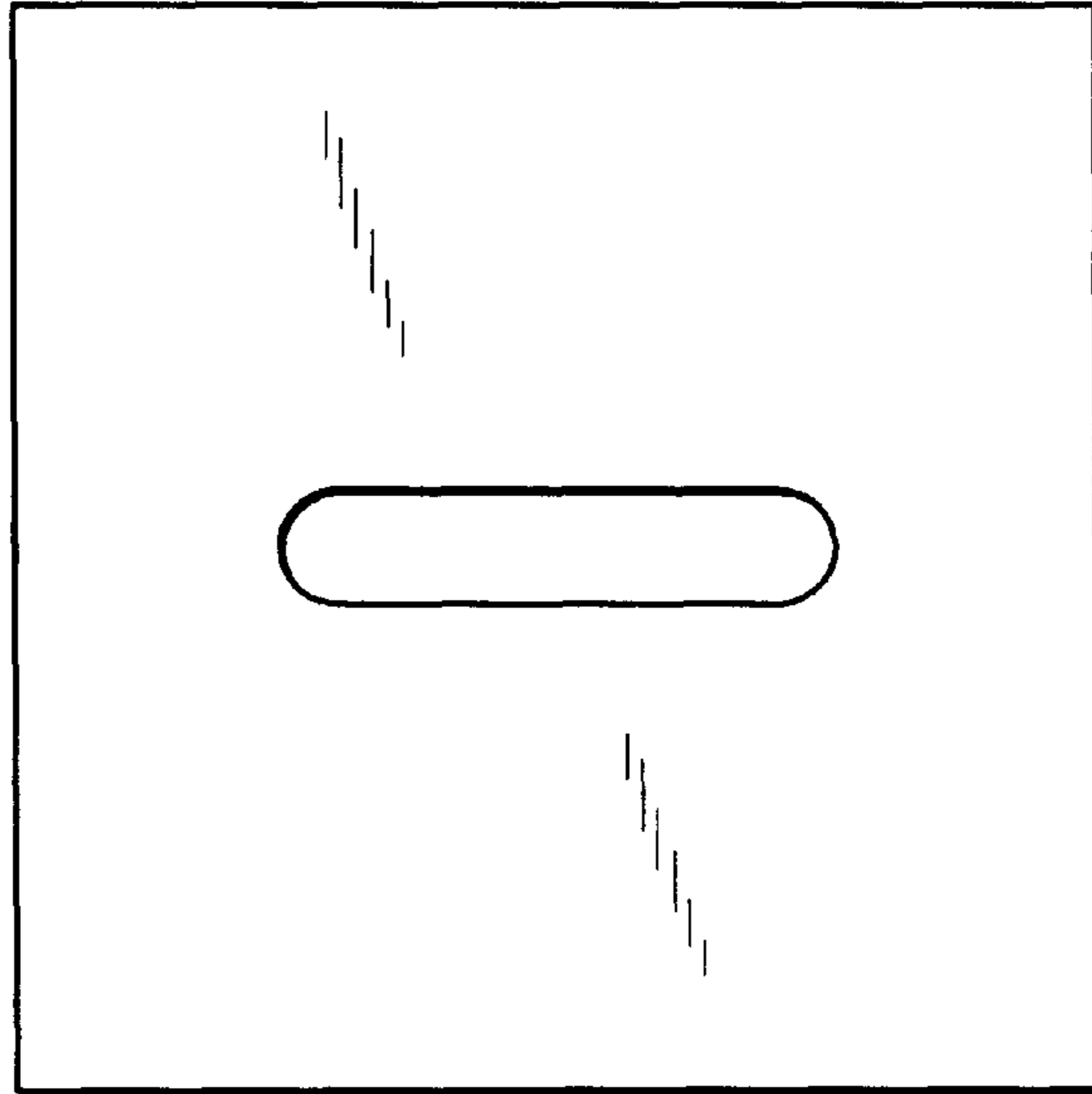


FIG. 3

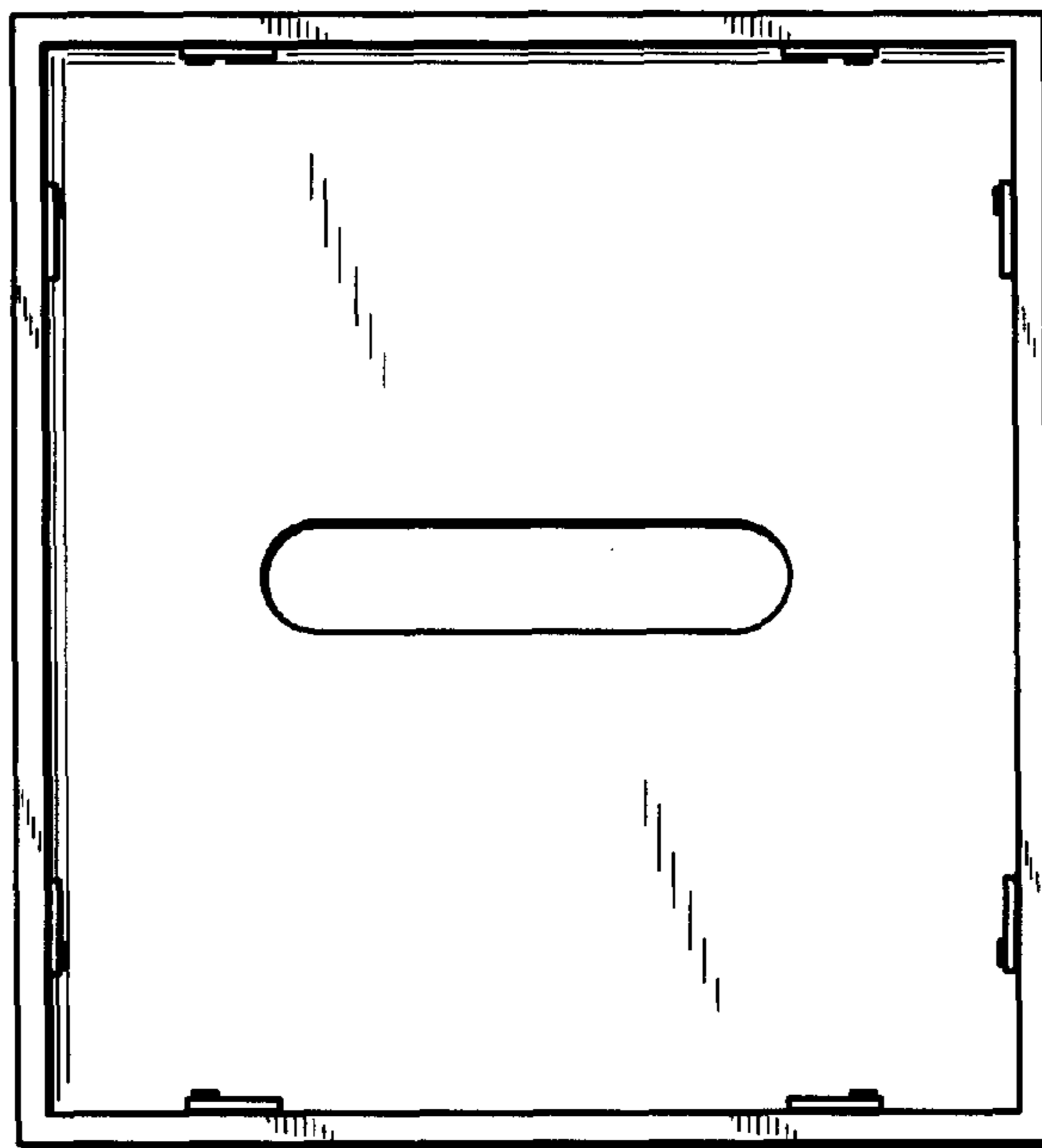


FIG. 4

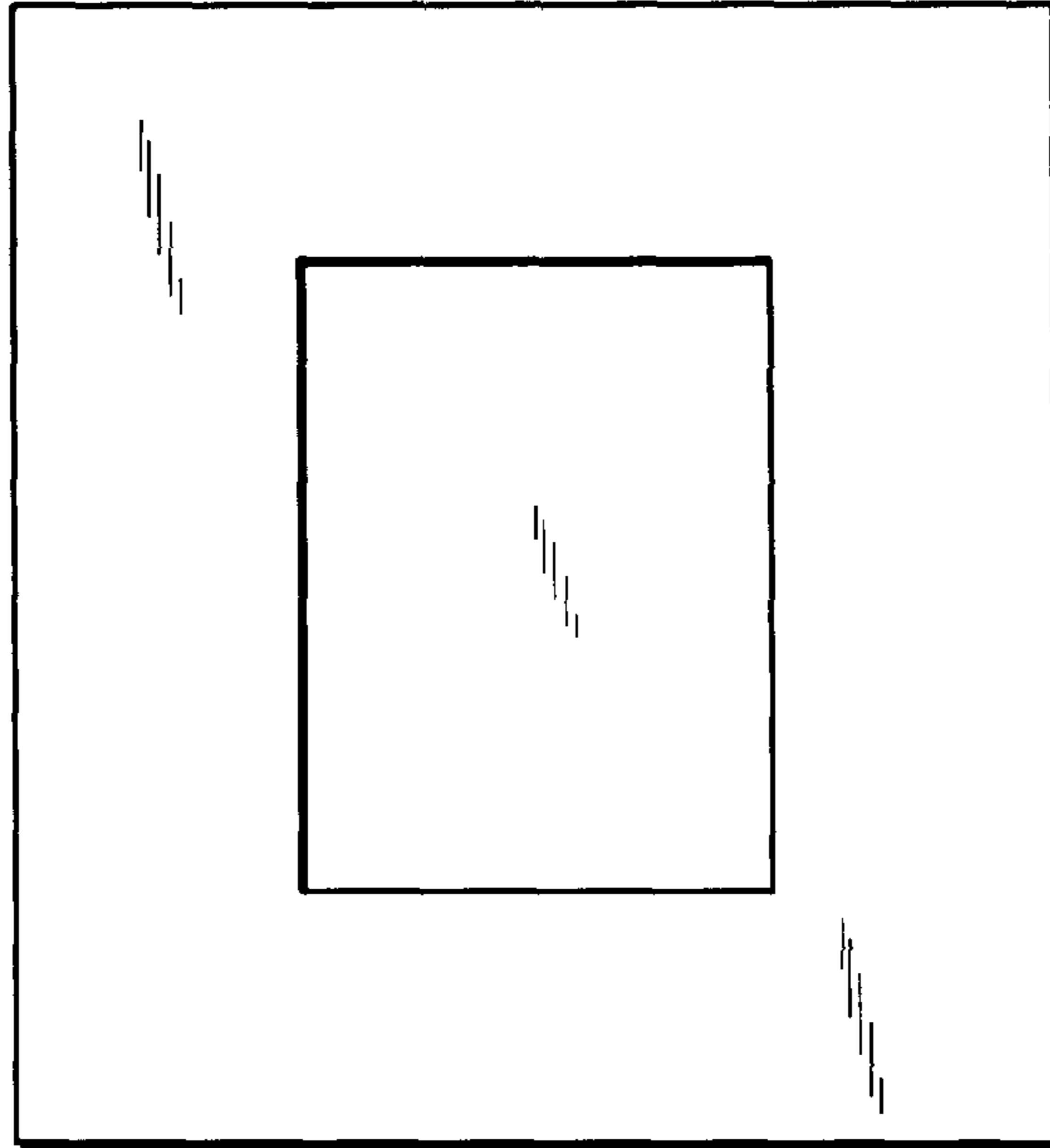


FIG. 5

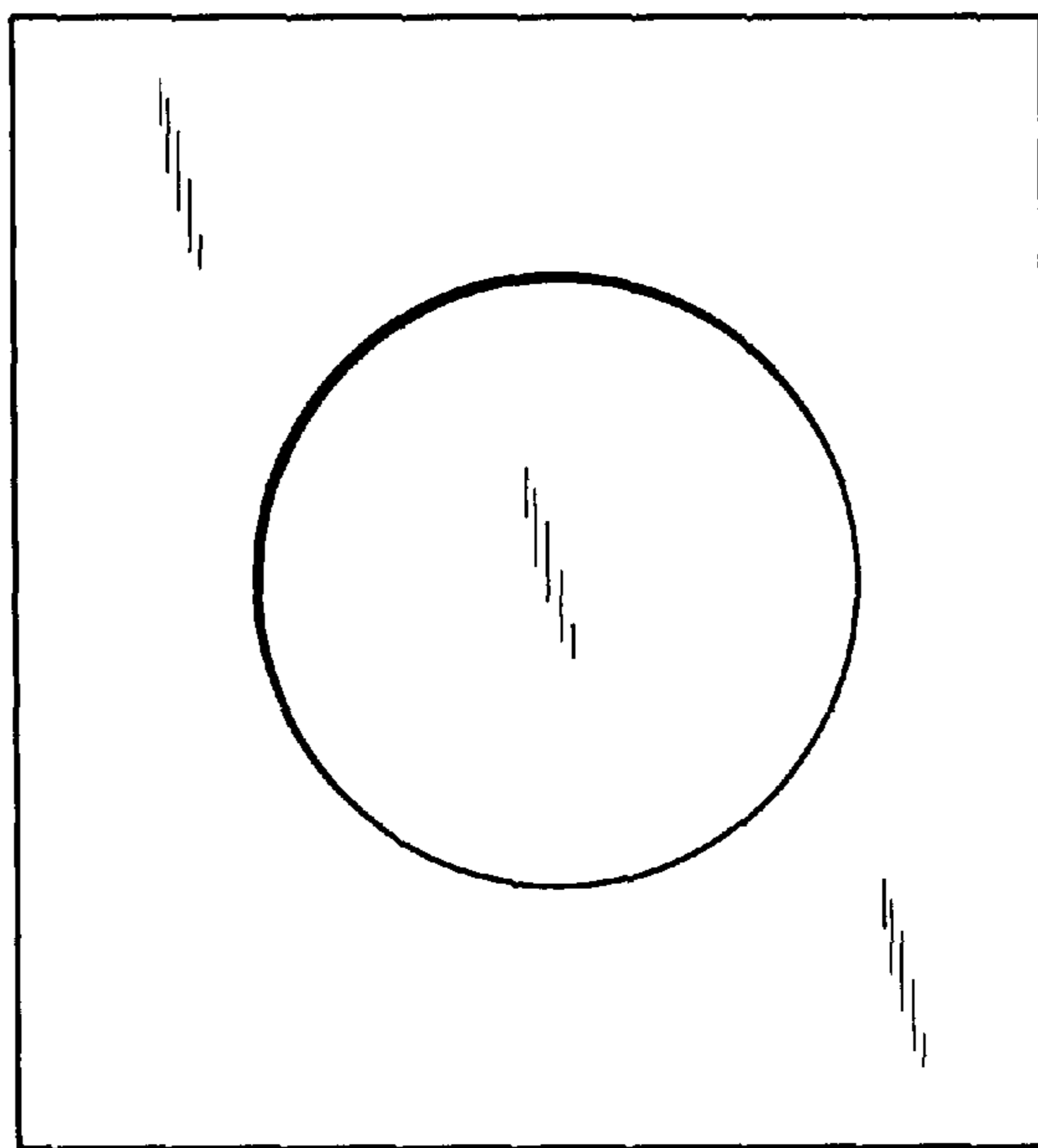


FIG. 6

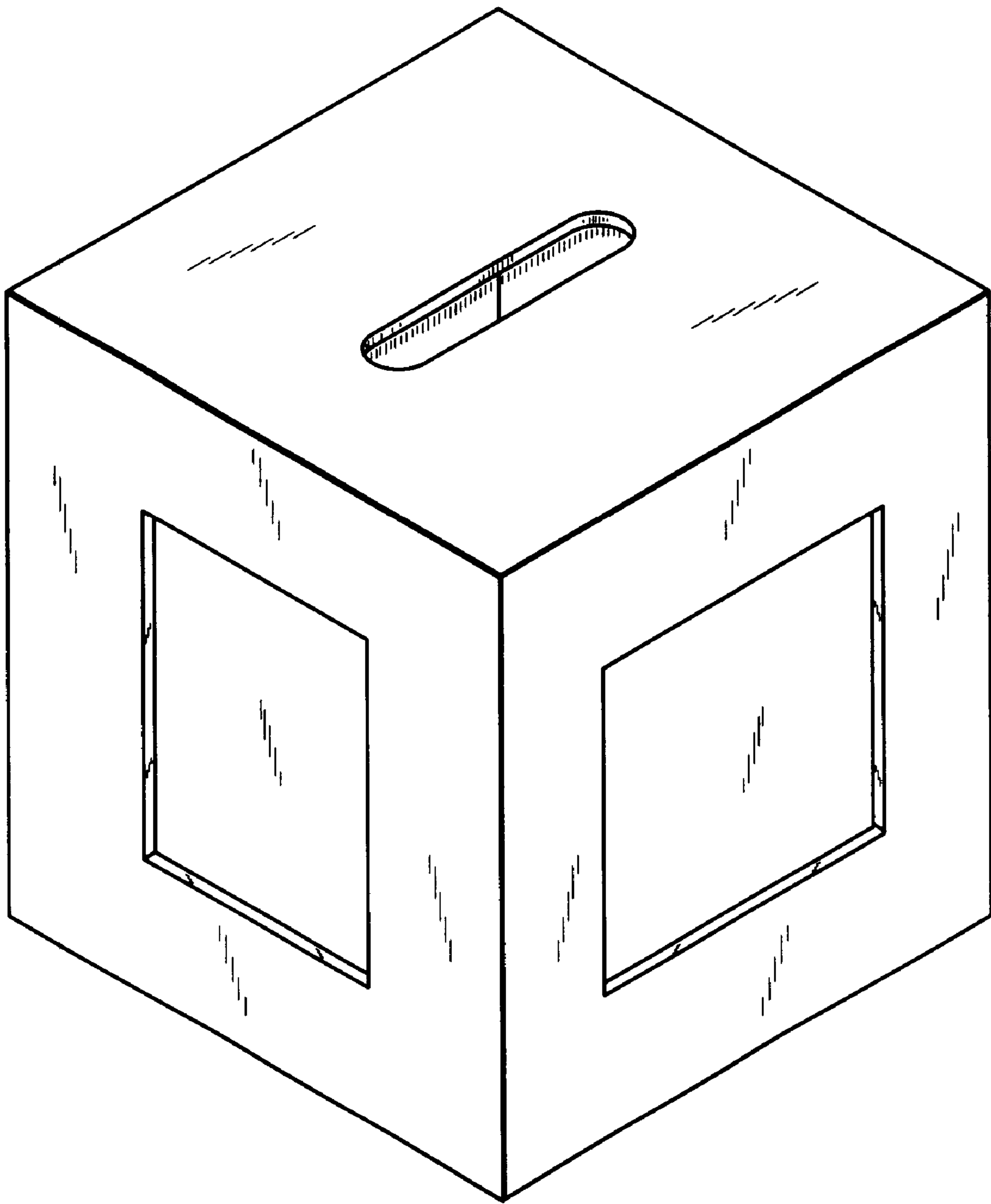


FIG. 7

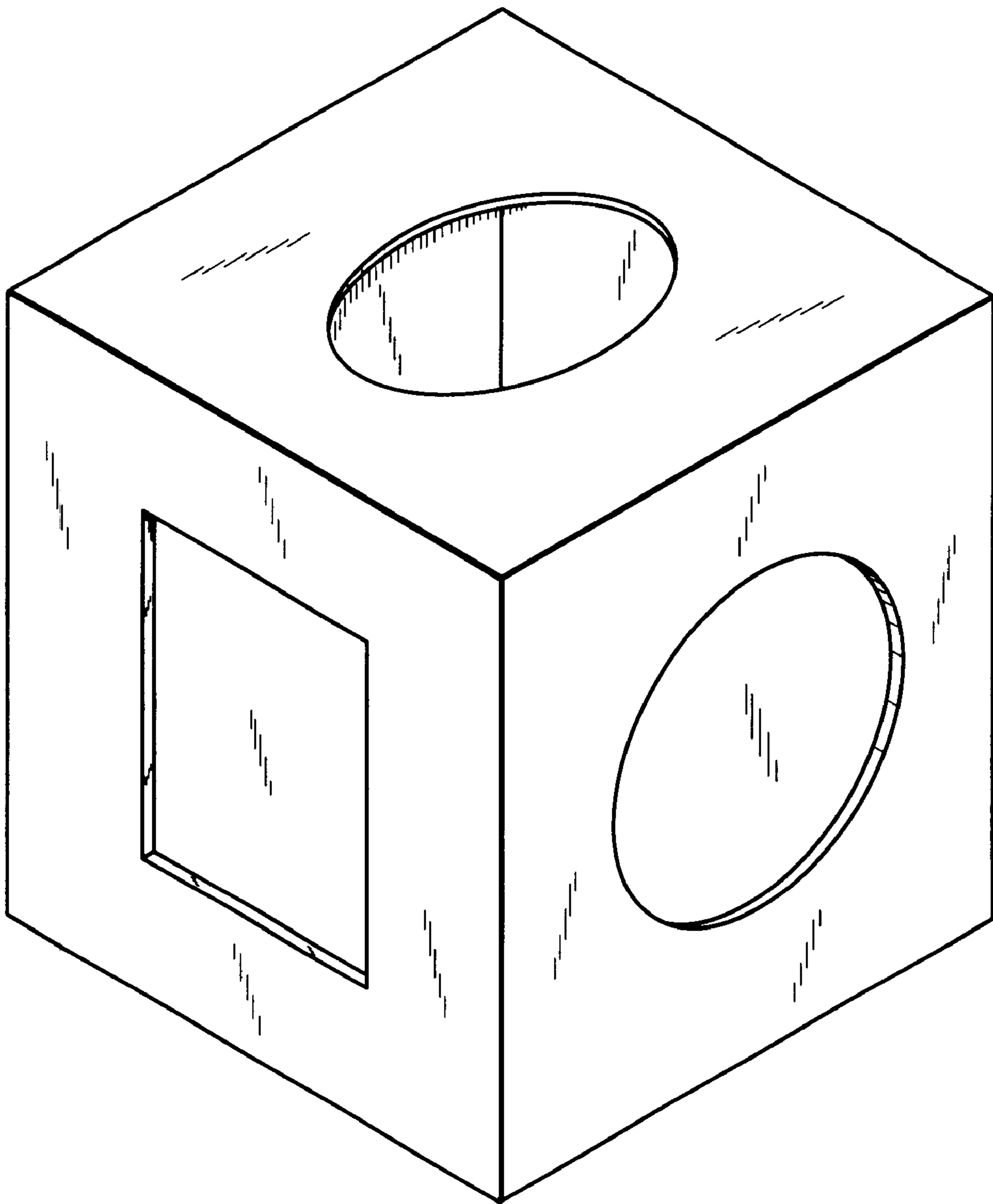


FIG. 8

