



US00D464512S

(12) **United States Design Patent**
Pathiratne

(10) **Patent No.:** **US D464,512 S**

(45) **Date of Patent:** **** Oct. 22, 2002**

(54) **END FRAME FOR A FUTON**

OTHER PUBLICATIONS

(76) **Inventor:** **S. Sean Pathiratne**, 506 Landfair Cir.,
San Jose, CA (US) 95136

(**) **Term:** **14 Years**

(21) **Appl. No.:** **29/150,596**

(22) **Filed:** **Nov. 6, 2001**

(51) **LOC (7) Cl.** **06-06**

(52) **U.S. Cl.** **D6/492; D6/335; D6/381**

(58) **Field of Search** **D6/334, 335, 370,**
D6/371, 373, 379, 381, 492, 500, 501,
502; 5/12.1; 297/232, 452.63

U.S. patent application Ser. No. 29/150,594, Pathiratne, filed
Nov. 6, 2001.*

U.S. patent application Ser. No. 29/150,597, Pathiratne, filed
Nov. 6, 2001.*

U.S. patent application Ser. No. 29/150,591, Pathiratne, filed
Nov. 6, 2001.*

U.S. patent application Ser. No. 29/150,593, Pathiratne, filed
Nov. 6, 2001.*

* cited by examiner

Primary Examiner—Gary D. Watson

(74) *Attorney, Agent, or Firm*—Kenneth C. Brooks

(56) **References Cited**

U.S. PATENT DOCUMENTS

D35,082 S	*	9/1901	Stickley	D6/379
D80,874 S	*	4/1930	Anderson	D6/379
D151,295 S		10/1948	Stanley	
D222,831 S		1/1972	Lax	
D224,861 S		10/1972	Fisher	
D229,591 S	*	12/1973	Trail et al.	D6/373
D244,109 S	*	4/1977	Zola	D6/379
D273,254 S		4/1984	Fairaizen	
D350,858 S		9/1994	Warren	
D360,538 S		7/1995	Skalka	
D368,173 S		3/1996	Kramer	
D370,570 S	*	6/1996	Green, Jr. et al.	D6/370
D379,278 S		5/1997	Zeinfeld et al.	
D423,830 S		5/2000	Schlichter et al.	
D424,315 S		5/2000	Jeng	
D425,339 S		5/2000	Schlichter et al.	
D426,407 S	*	6/2000	Schlichter et al.	D6/492

(57) **CLAIM**

The ornamental design for an end frame for a futon, as
shown and described.

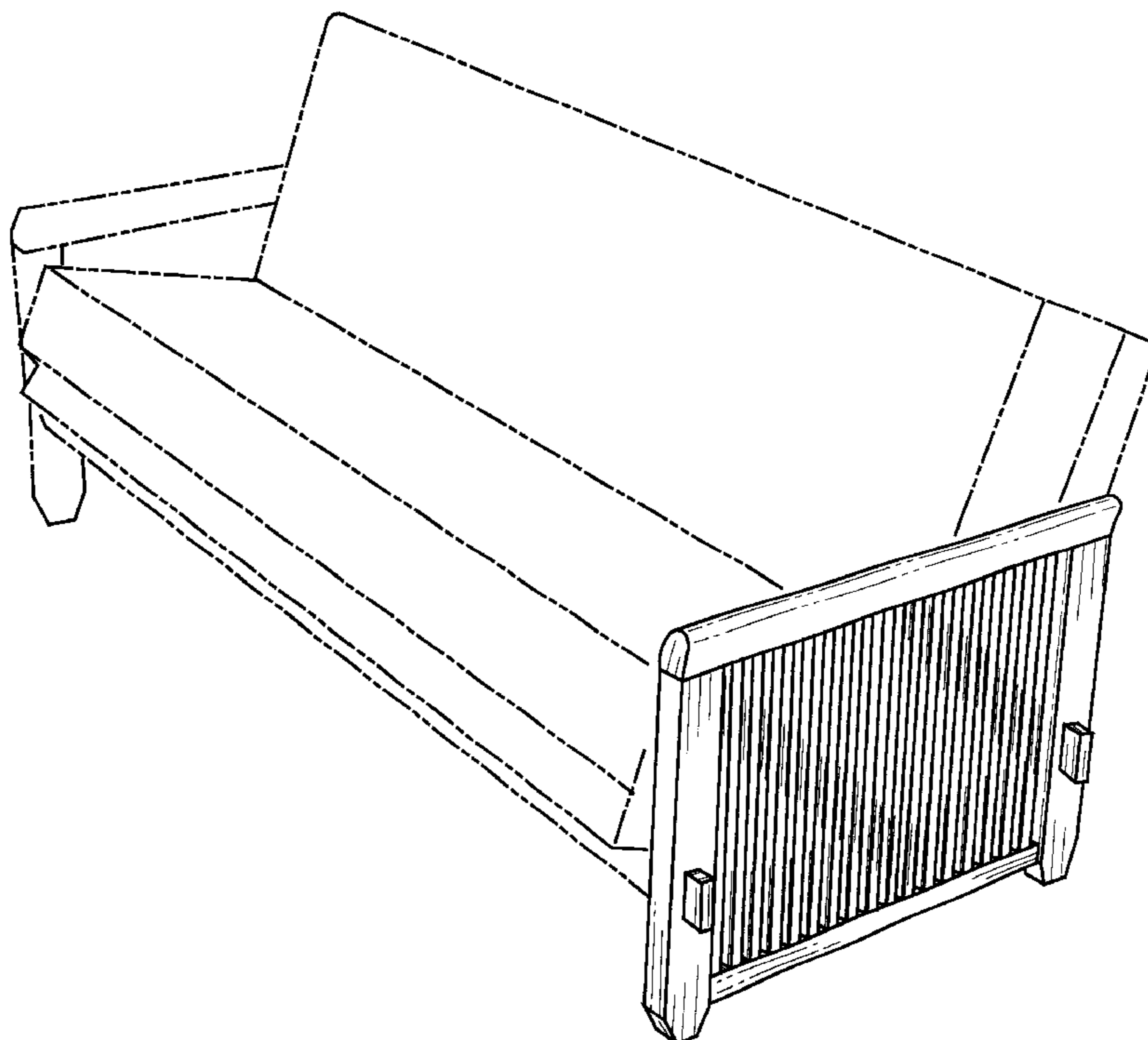
DESCRIPTION

FIG. 1 is a perspective view of an end frame for a futon
illustrating the features of the invention relating to the end
portion in solid lines, and in broken lines to show the
environment in which the invention is claimed, with the
broken lines not forming a part of the claimed design;

FIG. 2 is a frontal view of the end frame shown in FIG. 1;
FIG. 3 is an end view of the end frame shown in FIG. 2;
and, FIG. 4 is another end view of the end frame shown in
FIG. 2, taken from the opposing end of the end view shown in
FIG. 3.

It is submitted that the bottom view of the end frame does
not form any part of the claimed design, as neither does the
back view of the end frame.

1 Claim, 1 Drawing Sheet



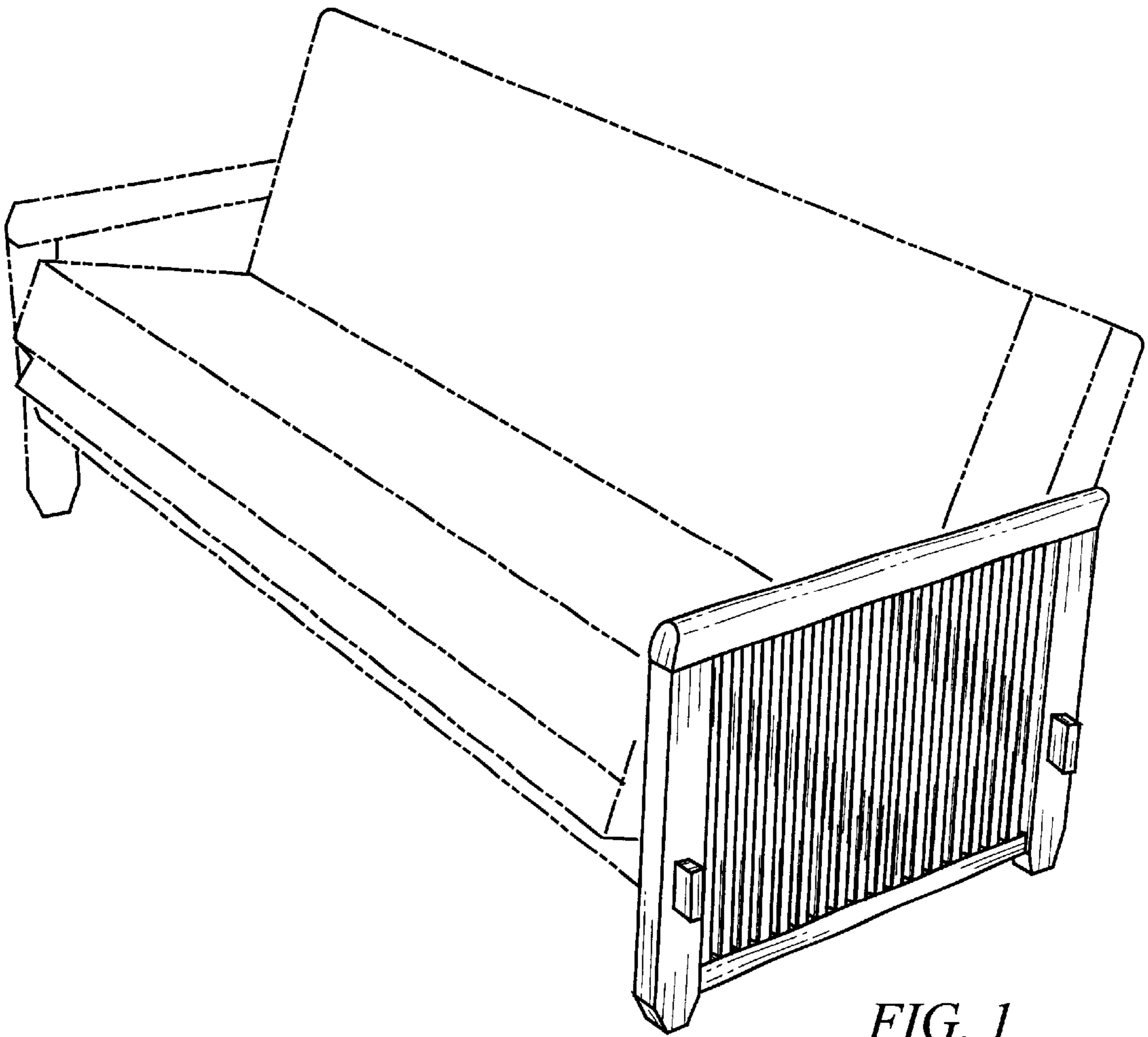


FIG. 1

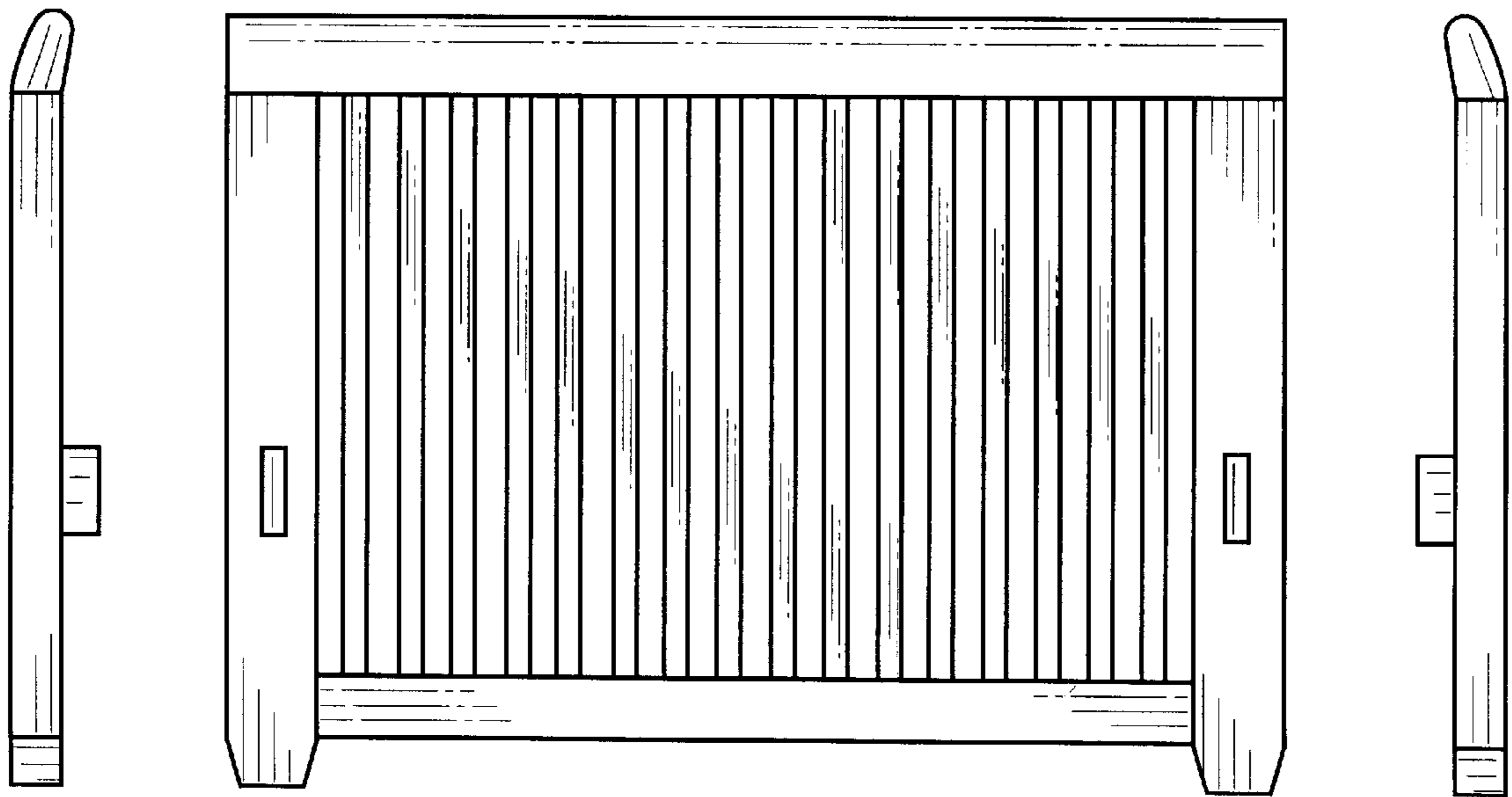


FIG. 3

FIG. 2

FIG. 4